

HONDA

GENERAL PURPOSE ENGINE

**GX160UT1
GX160UT2
GX160UT2X
GX160RT1
GX160RT2
GX160RT2X**

PARTS CATALOGUE

6



GX160UT1

FOREWORD INDEX

1

ENGINE GROUP

2

PART NUMBER INDEX

3

PART NAME INDEX

4

Instruction for use of parts catalogue

- **This parts catalogue was prepared based on the latest information available as of November 01, 2023.**
- See the parts catalogue news for any revision that is made after November 01, 2023.
- **Always specify the part number when ordering a part.**
- Check the model, type, serial numbers, color, maker, and the size as needed before ordering a part.
- Note that the illustrations (part drawings) can differ from the actual parts in shape. They are given just to help you to refer to the parts.
- **When modifications or additions to this parts catalogue are made, a revised edition will be issued at an appropriate time, with successively progressing revision numbers on the cover. We recommend obtaining such revisions in order to keep your parts catalogue up-to-date at all times. To check whether a parts catalogue revision has been issued, please contact your Honda distributor.**

Initial version issue date April 10, 2005
Honda Motor Co., Ltd.

CONTENTS

	Page
● Instruction for use of parts catalogue	1
● How to refer to the part information	2
● Part catalogue structure.....	3
● When the parts were revised.....	4
● Abbreviations used in the parts catalogue.....	4
● How to check the part block and serial numbers.....	5
● Models, parts catalogue codes and applicable serial numbers.....	6
● Features of each type.....	17
● Fuel hose, general purpose hoses and vinyl hose.....	42
● FLAT RATE SERVICE TIME	43
● Illustrated index	48
● ENGINE GROUP	53
● PART NO. INDEX.....	268
● PART NAME INDEX.....	273



1

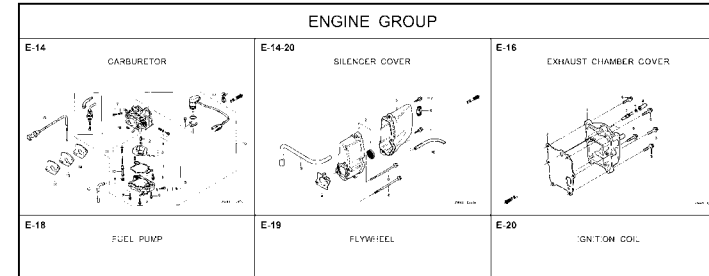
2

3

4

How to refer to the part information

A Reference with "Illustrated index"



B Reference with "Part number index"

PART NO. INDEX				
Part Number	Page Ref.	Part Number	Page Ref.	Pi
06000		15212-ZW9-000	49 7	17583
		15220-ZW9-003	49 8	17583
06316-ZW9-000	104 1	15332-ZW9-000	74 2	17611
		15332-ZW9-A30	76 2	17611
11000		15400-PFB-004	46 5	17612
		15422-ZW9-000	49 9	17620
11300-ZW9-000	46 1	15473-881-000	49 10	17620
11300-ZW9-800	46 1	15474-ZW9-000	49 11	17624
11340-ZW9-000	46 2	15611-921-000	45 6	17650
11342-ZW9-000	46 3	15655-ZW9-000	46 6	17660
11381-ZW9-003	47 1			17661
12000		16000		
12000-ZW9-000ZA	46 4	16010-ZV4-005	55 1	17665
12155-ZV4-A00	48 1	16011-ZV4-005	55 2	17670
12166-ZW9-000	45 1	16013-ZW9-003	55 3	17680
12209-GB4-681	51 1	16016-ZW9-003	55 4	17701
12210-ZW9-000ZA	45 2	16016-ZW9-721	55 4	17701
12216-ZE2-300	74 1	16023-ZW9-005	55 5	17701
		16024-ZV4-650	55 6	17701
		16028-ZV4-650	55 7	17702

C Reference with "Part name index"

PART NAME INDEX		
Part name	Page	Ref.
[A]		
ABSORBER, FUEL	80	5
ARMATURE COMP.	62	7
ARM COMP., LINK JOINT	102	18
ARM COMP., SHIFT LINK	102	14
ARM COMP., TILT	97	20
ARM, FUEL PUMP ROCKER	51	4
ARM, REVERSE LOCK	97	18
ARM, SHIFT LINK	92	7
ARM, STOPPER	52	12
ARM, THROTTLE REMOTE	92	6
ARM, VALVE ROCKER	51	3
[B]		
BAG, TOOL, 160MM	101	10
BAND	103	37
BAND B1, WIRE	87	1
BAND, CORD	35	18
BAND, TUBE CLIP, 11MM	81	20
BAND, TUBE CLIP, 12.5MM	81	19

E-2 CYLINDER HEAD

Block No.

Ref No.

		Reqd. QTY							
Ref. No.	Part No.	Description	9901	9901	1001	1001	1001	1001	1001
1	12166-ZW9-000	STOPPER, ENGINE SIDE	2	2	2	2	2	2	2
2	12210-ZW9-000ZA	HEAD COMP., CYLINDER	1	1	1	1	1	1	1
3	12251-ZW9-003	GASKET, CYLINDER HEAD	1	1	1	1	1	1	1
4	12310-ZW9-000	COVER COMP., HEAD	1	1	1	1	1	1	1
5	12312-ZW9-000	PACKING, HEAD COVER	1	1	1	1	1	1	1
6	15611-921-000	CAP, OIL (NO GAUGE)	1	1	1	1	1	1	1
7	16617-ZW9-000	HOLDER, CABLE	1	1	1	1	1	1	1
	16617-ZW9-010		1	1	1	1	1	1	1
8	35673-ZV5-003	SENSOR ASSY., WATER	1	1	1	1	1	1	1
9	90003-ZW9-000	BOLT, FLANGE, 6X22	6	4	4	4	4	4	4
10	90007-ZW9-003	BOLT, FLANGE, 8X83	6	6	6	6	6	6	6
11	90011-ZW9-000	BOLT, FLANGE, 6X14 (CT200)	1	1	1	1	1	1	1
12	90020-ZW9-000	BOLT, FLANGE, 8X40	2	2	2	2	2	2	2
13	91202-KJ9-003	OIL SEAL, 20X32X6	1	1	1	1	1	1	1
14	91301-805-000	O-RING, 26X2.7	1	1	1	1	1	1	1
15	91307-PK2-005	O-RING, 9.5X1.5 (HONDA KIKAKI)	1	1	1	1	1	1	1
16	98059-55916	PLUG, SPARK (CR5EH-9)	2	2	2	2	2	2	2
	98059-55926	PLUG, SPARK (U16FER9)	2	2	2	2	2	2	2

Page No.

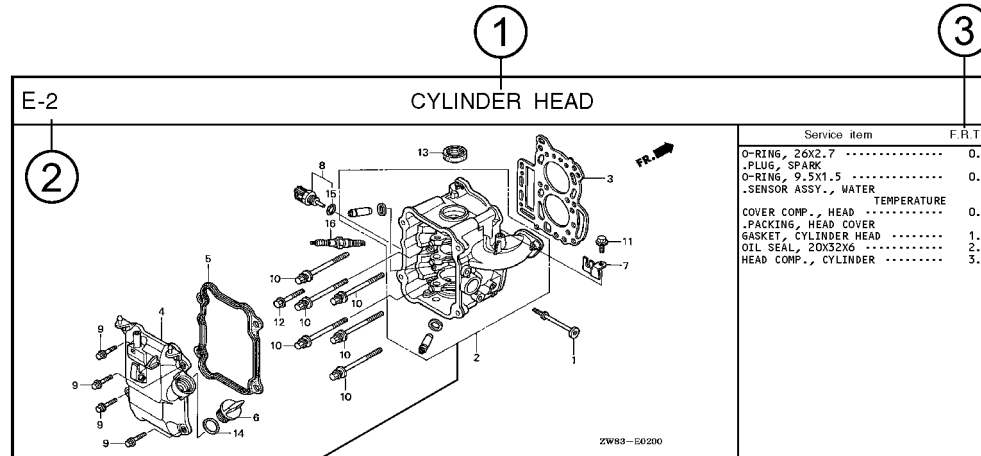
2000.09.20 E

2

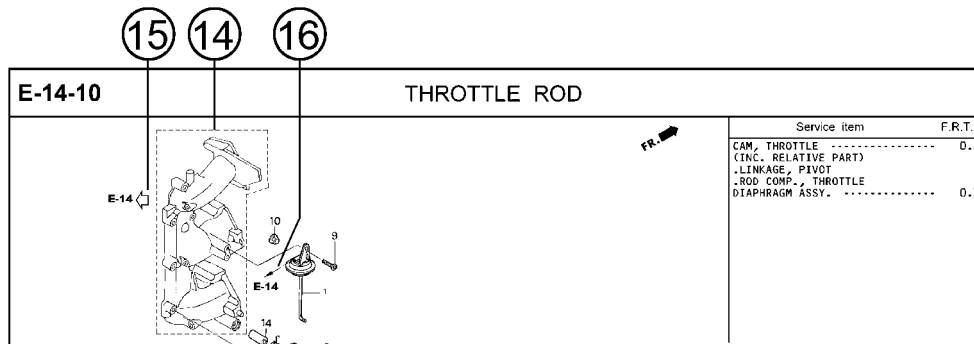
2023.11.01

E

Part catalogue structure



Ref. No.	Part No.	Description	Reqd. QTY						Serial No.	Parts catalogue code
			BF 9.9D1	BFP 9.9D1	BF 10D1	BFP 10D1	BF 10B1	BFP 10B1		
1	12166-zw9-000	STOPPER, ENGINE SIDE	2	2	2	2	2	2		
2	12210-zw9-000ZA	HEAD COMP., CYLINDER								
		NH8.....DARK GRAY	1	1	1	1	1	1		
3	12251-zw9-003	GASKET, CYLINDER HEAD	1	1	1	1	1	1		
4	12310-zw9-000	COVER COMP., HEAD	1	1	1	1	1	1		
5	12312-zw9-000	PACKING, HEAD COVER	1	1	1	1	1	1		
6	15611-921-000	CAP, OIL	1	1	1	1	1	1		
		(NO GAUGE)								
7	16617-zw9-000	HOLDER, CABLE	1	1	1	1	1	1	SC,SG	
	16617-zw9-010		1	1	1	1	1	1	1001800 LHC,LHD	



① Block title ② Block number

③ Service item/Flat rate time

④ Reference number

- Title number marked with the parenthesis or parentheses indicates that it continues from the previous page.

⑤ Part number ⑥ Honda color code

⑦ Description

⑧ Assemblies

- Sections framed with broken lines in the exploded view drawings are available as complete assemblies. (Their individual parts can also be obtained.)

⑨ Color description

⑩ Note

- Notes are shown with the parentheses in the part name column.

⑪ Required quantity

- Required QTY shown in the parenthesis or parentheses indicates the optional part.
- Required QTY marked with "N" Indicates the optional part that should be selected as needed.
- Required QTY indicates the number of the part used in the block.

⑫ Serial number

⑬ Type

- When the type column is blank, it indicates that the part is applicable to all types.
- As the type of the actual unit may differ from the "parts catalogue, type" please refer to "Models, types and applicable serial numbers" for confirmation.

⑭

- Parts enclosed within a dotted line are covered in a different block.

⑮

- A hollow arrow indicates the block No. for the parts enclosed within a dotted line.

⑯

- A solid arrow indicates the block No. the part in question is connected to.

When the parts were revised



Be sure to check the serial number!!



Ref. No.	Part No.	Description	Reqd. QTY						Serial No.
			BF 99D1	BFP 9.9D1	BF 10D1	BFP 10D1	BF 10B1	BFP 10B1	
1	12166-ZW9-000	STOPPER, ENGINE SIDE	2	2	2	2	2	2	
2	12210-ZW9-000ZA	HEAD COMP., CYLINDER *NH8*.....DARK GRAY	1	1	1	1	1	1	
3	12251-ZW9-003	GASKET, CYLINDER HEAD	1	1	1	1	1	1	
4	12310-ZW9-000	COVER COMP., HEAD	1	1	1	1	1	1	
5	12312-ZW9-000	PACKING, HEAD COVER	1	1	1	1	1	1	
6	15611-921-000	CAP, OIL (NO GAUGE)	1	1	1	1	1	1	
7	16617-ZW9-000	HOLDER, CABLE (###).....	1	1	1	1	1	1	SC, SG LHC, LHD LHC, LHD
	16617-ZW9-010	1	1	1	1	1	1	

The number has been used from the initial model without revision. When shown at the left side, it is applicable to the models of No.1001801 and the subsequent numbers. When shown at the right side, it is applicable to the models up to No.1001800.

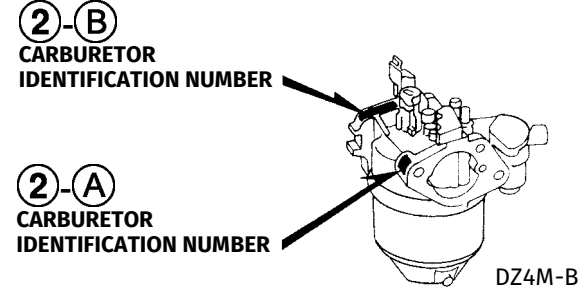
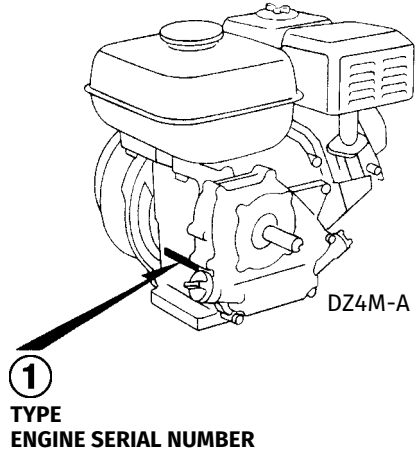
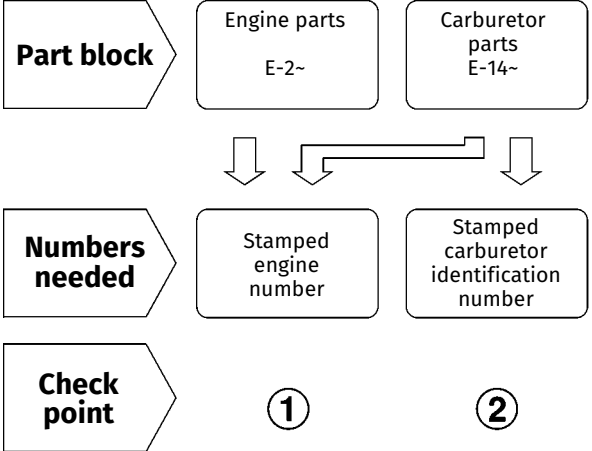
• The parts listed with "###" at the end of the parts name have limited supply period (parts not for sale).

Abbreviations used in the parts catalogue

• The following abbreviations are used in the parts name column.

- AAmpere
- A.C.Alternating current
- ASSY.Assembly
- AT.Automatic transmission
- C.D.I.Capacitive discharge ignition
- COMP.Complete
- D.C.Direct current
- EX.Exhaust
- G.F.C.IGround fault circuit interruptor
- HEX.Hexagonal
- H.S.T.Hydrostatic transmission
- FR.Front
- IN.Inlet
- L (100L) ...Link (100 Links)
- L.Left
- MMMillimeter
- MT.Manual Transmission
- P.T.O.Power take off
- R.Right
- RR.Rear
- STD.Standard
- T (22T)Tooth (22 Teeth)
- VVolt
- WWatt

How to check the part block and serial numbers



Models, parts catalogue codes and applicable serial numbers

- Models, parts catalogue codes and applicable serial Nos. given in this parts catalogue can be identified as follows.

Model	Type	Parts catalogue type	Applicable engine serial No.	Applicable carburetor identification No.	Model	Type	Parts catalogue type	Applicable engine serial No.	Applicable carburetor identification No.
GX160UT1	HH26	HH26	GCAFT-1000001~	BE65Q A	GX160UT1	QBM2	QBM2	GCAFT-1000001~	BE65Q A
	HHQ4	HHQ4				QBT6	QBT6		
	HX2	HX2				QCB2	QCB2		
	HX4	HX4				QCL	QCL		
	HXE8	HXE8				QGR9	QGR9		
	HXU	HXU				QH26	QH26		
	LHQ4	LHQ4				QHG4	QHG4		
	LX2	LX2				QHQU	QHQU		
	LX26	LX26				QKA4	QKA4		
	LX4	LX4				QMC6	QMC6		
	LXU	LXU				QMC8	QMC8		
	PXU	PXU				QMD6	QMD6		
	QA2	QA2		QME4		QME4			
	QA26	QA26		QMP4		QMP4			
	QAX2	QAX2		QMZ2		QMZ2			
QAX4	QAX4	QNT	QNT						
QBC2	QBC2								
			BE65R A						BE66H A
									BE65Q A
									BE65Q A BE65R A
									BE65Q A

Model	Type	Parts catalogue type	Applicable engine serial No.	Applicable carburetor identification No.	Model	Type	Parts catalogue type	Applicable engine serial No.	Applicable carburetor identification No.
GX160UT1	QNT4	QNT4	GCAFT-1000001~	BE54A A	GX160UT1	QXS2	QXS2	GCAFT-1000001~	BE65Q A
	QPU	QPU		BE65Q A		QXU	QXU		
	QW24	QW24				QXW	QXW		
	QWA4	QWA4				QXWE	QXWE		
	QWW2	QWW2				RH2	RH2		
	QWX2	QWX2				RHQ4	RHQ4		
	QX2	QX2				RTB2	RTB2		
	QX26	QX26				RX4	RX4		
	QX4	QX4				RXE2	RXE2		
	QX7	QX7				RXP2	RXP2		
	QX9	QX9				RXU	RXU		
	QXC4	QXC4				SD16	SD16		
	QXC9	QXC9				SG22	SG22		
	QXE2	QXE2		SG24		SG24			
	QXE4	QXE4		SHQ4		SHQ4			
	QXE5	QXE5		SHQU		SHQU			
	QXE8	QXE8		SMC7		SMC7			
	QXF2	QXF2		SMC9		SMC9			
QXP2	QXP2	SSX2	SSX2						
				BE54B A					BE66H A
				BE65Q A					BE65Q A



Model	Type	Parts catalogue type	Applicable engine serial No.	Applicable carburetor identification No.	Model	Type	Parts catalogue type	Applicable engine serial No.	Applicable carburetor identification No.
GX160UT1	SWX2	SWX2	GCAFT-1000001~	BE65Q A	GX160UT1	UXU	UXU	GCAFT-1000001~	BE65Q A
	SX2	SX2				VA2	VA2		BE66D B
	SX4	SX4				VG24	VG24		BE54B A
	SX7	SX7				VG29	VG29		BE65Q A
	SX9	SX9				VGE2	VGE2		
	SXE4	SXE4				VGE4	VGE4		
	SXE5	SXE5				VGE5	VGE5		
	SXS	SXS				VHA9	VHA9		
	SXS2	SXS2				VHH4	VHH4		BE67K A BE67Q A
	SXS4	SXS4				VMS4	VMS4		
	SXU	SXU				VPM4	VPM4		
	TCS2	TCS2				VPM5	VPM5		
	TW24	TW24				VPM8	VPM8		
	TX2	TX2				VPM9	VPM9		BE67Q A
	TX26	TX26		VPMN		VPMN	BE67K A BE67Q A		
	TX4	TX4		VPR4		VPR4			
TXC9	TXC9	VPR9	VPR9						
TXDU	TXDU	VS17	VS17						
TXU	TXU	VS19	VS19						
				BE54B A					
				BE65Q A					

Model	Type	Parts catalogue type	Applicable engine serial No.	Applicable carburetor identification No.	Model	Type	Parts catalogue type	Applicable engine serial No.	Applicable carburetor identification No.
GX160UT1	VSD	VSD	GCAFT-1000001~	BE65Q A	GX160UT2	HH26	HH26/A	GCBPT-4000001~	BE99M A
	VSD1	VSD1		BE67K A BE67Q A		HHQ4	HHQ4	GCBPT-1000001~	BE54D A
	VSD2	VSD2		BE65Q A		HX2	HX2	GCBPT-1000001~3999999	BE99M A
	VSD7	VSD7					HX2/A	GCBPT-4000001~	
	VSD9	VSD9				HX4	HX4	GCBPT-1000001~3999999	BE54D A
	VWA2	VWA2					HX4/A	GCBPT-4000001~	BE99M A
	VWW2	VWW2		BE67K A BE67Q A		HXE8	HXE8	GCBPT-1000001~3999999	BE54D A
	VWWN	VWWN		BE67Q A			HXE8/A	GCBPT-4000001~	BE99M A
	VX2	VX2		BE65Q A		LHN4	LHN4	GCBPT-1000001~3999999	BE54D A
	VX4	VX4					LHN4/A	GCBPT-4000001~9999999	BE99M A
	VXE9	VXE9				LHQ4	LHQ4	GCBPT-1000001~9999999	BE54D A
	VXU1	VXU1					LX2	GCBPT-1000001~3999999	
	VXW2	VXW2		BE66H A		LX2	LX2/A	GCBPT-4000001~	BE99M A
	WKS	WKS					LX4	LX4	GCBPT-1000001~3999999
	WKT2	WKT2		BE65R A		LX4/A		GCBPT-4000001~	BE99M A
	WKT4	WKT4				LXM2	LXM2	GCBPT-1000001~3999999	BE54D A
	WKT6	WKT6					LXM2/A	GCBPT-4000001~	BE99M A
WMB0	WMB0	BE66H A	PXU	PXU	GCBPT-1000001~3999999	BE54D A			
GX160UT2	HH26	HH26		GCBPT-1000001~3999999	PXU/A	GCBPT-4000001~	BE99M A		



Model	Type	Parts catalogue type	Applicable engine serial No.	Applicable carburetor identification No.	Model	Type	Parts catalogue type	Applicable engine serial No.	Applicable carburetor identification No.
GX160UT2	QA2	QA2	GCBPT-1000001~3999999	BE54N A	GX160UT2	QMC6	QMC6/A	GCBPT-4000001~	BE61V A
		QA2/A	GCBPT-4000001~	BE99M A		QMC8	QMC8	GCBPT-1000001~3999999	BE54C A
	QAX2	QAX2	GCBPT-1000001~9999999	BE54D A			QMC8/A	GCBPT-4000001~	BE99M A
		QAX4	QAX4			GCBPT-1000001~3999999	QMD6	QMD6	GCBPT-1000001~3999999
	QAX4/A		GCBPT-4000001~	BE99M A		QMD6/A		GCBPT-4000001~	BE99M A
	QBC2	QBC2	GCBPT-1000001~9999999	BE54C A		QME4	QME4	GCBPT-1000001~3999999	BE54N A
		QBM2	QBM2				GCBPT-1000001~3999999	QME4/A	GCBPT-4000001~
	QCM		QCM	GCBPT-1000001~3999999		BE99N A BEA4Z A	QMP4	QMP4	GCBPT-1000001~9999999
		QCM/A	GCBPT-4000001~	BE99N A		QMX2		QMX2	GCBPT-1000001~3999999
	QGR9	QGR9	GCBPT-1000001~3999999	BE54D A			QMX2/A	GCBPT-4000001~	BE99M A
		QGR9/A	GCBPT-4000001~	BE99M A		QWA4	QWA4	GCBPT-1000001~3999999	BE54C A
	QH26	QH26	GCBPT-1000001~3999999	BE54D A			QWA4/A	GCBPT-4000001~	BE99M A
		QH26/A	GCBPT-4000001~	BE99M A		QWX2	QWX2	GCBPT-1000001~3999999	BE54D A
	QHQ4	QHQ4	GCBPT-1000001~3999999	BE54D A			QWX2/A	GCBPT-4000001~9999999	BE99M A
		QHQ4/A	GCBPT-4000001~	BE99M A		QX2	QX2	GCBPT-1000001~3999999	BE54D A
	QMC6	QMC6	GCBPT-1000001~3999999	BE61V A BE66U A			QX2/A	GCBPT-4000001~	BE99M A
				QX4		QX4	GCBPT-1000001~3999999	BE54D A	

Model	Type	Parts catalogue type	Applicable engine serial No.	Applicable carburetor identification No.
GX160UT2	QX4	QX4/A	GCBPT-4000001~	BE99M A
	QX9	QX9	GCBPT-1000001~3999999	BE54C A
		QX9/A	GCBPT-4000001~	BE99M A
	QXC9	QXC9	GCBPT-1000001~9999999	BE54E A
	QXE2	QXE2	GCBPT-1000001~3999999	BE54D A
		QXE2/A	GCBPT-4000001~	BE99M A
	QXE5	QXE5	GCBPT-1000001~3999999	BE54D A
		QXE5/A	GCBPT-4000001~	BE99M A
	QXE8	QXE8	GCBPT-1000001~	BE54D A
	QXEB	QXEB	GCBPT-4000001~	BE99M A
	QXGB	QXGB		
	QXM2	QXM2	GCBPT-1000001~9999999	BE54D A
	QXS2	QXS2	GCBPT-1000001~3999999	
		QXS2/A	GCBPT-4000001~9999999	BE99M A
	QXU	QXU	GCBPT-1000001~3999999	BE54D A
		QXU/A	GCBPT-4000001~	BE99M A
	QXWE	QXWE	GCBPT-1000001~3999999	BE54D A
		QXWE/A	GCBPT-4000001~	BE99M A
	RH2	RH2	GCBPT-1000001~3999999	BE54D A

Model	Type	Parts catalogue type	Applicable engine serial No.	Applicable carburetor identification No.
GX160UT2	RH2	RH2/A	GCBPT-4000001~	BE99M A
	RHQ4	RHQ4	GCBPT-1000001~3999999	BE54D A
		RHQ4/A	GCBPT-4000001~	BE99M A
	RX4	RX4	GCBPT-1000001~3999999	BE54D A
		RX4/A	GCBPT-4000001~	BE99M A
	RXE2	RXE2	GCBPT-1000001~3999999	BE54D A
		RXE2/A	GCBPT-4000001~	BE99M A
	RXU	RXU	GCBPT-1000001~3999999	BE54D A
		RXU/A	GCBPT-4000001~9999999	BE99M A
	S1CY	S1CY	GCBPT-1000001~3999999	BE54C A
		S1CY/A	GCBPT-4000001~	BE99M A
	SCM	SCM	GCBPT-1000001~3999999	BE99N A BEA4Z A
		SCM/A	GCBPT-4000001~	BE99N A
	SD16	SD16	GCBPT-1000001~3999999	BE61V A BE66U A
		SD16/A	GCBPT-4000001~	BE61V A
	SG24	SG24	GCBPT-1000001~3999999	BE54C A
		SG24/A	GCBPT-4000001~	BE99M A
	SHCC	SHCC	GCBPT-1000001~3999999	BE54D A
		SHCC/A	GCBPT-4000001~	BE99M A



Model	Type	Parts catalogue type	Applicable engine serial No.	Applicable carburetor identification No.	Model	Type	Parts catalogue type	Applicable engine serial No.	Applicable carburetor identification No.
GX160UT2	SHQ4	SHQ4	GCBPT-1000001~3999999	BE54D A	GX160UT2	SX4	SX4	GCBPT-1000001~3999999	BE54D A
		SHQ4/A	GCBPT-4000001~	BE99M A			SX4/A	GCBPT-4000001~	BE99M A
	SHRY	SHRY	GCBPT-1000001~3999999	BE54D A		SX9	SX9	GCBPT-1000001~3999999	BE54C A
		SHRY/A	GCBPT-4000001~	BE99M A			SX9/A	GCBPT-4000001~9999999	BE99M A
	SMC7	SMC7	GCBPT-1000001~3999999	BE54C A		SXE5	SXE5	GCBPT-1000001~3999999	BE54D A
		SMC7/A	GCBPT-4000001~	BE99M A			SXE5/A	GCBPT-4000001~	BE99M A
	SMC9	SMC9	GCBPT-1000001~3999999	BE54C A		SXS4	SXS4	GCBPT-1000001~3999999	BE54D A
		SMC9/A	GCBPT-4000001~9999999	BE99M A			SXS4/A	GCBPT-4000001~	BE99M A
	SMW2	SMW2	GCBPT-1000001~3999999	BE54D A		SXU	SXU	GCBPT-1000001~3999999	BE54D A
		SMW2/A	GCBPT-4000001~	BE99M A			SXU/A	GCBPT-4000001~	BE99M A
	SMX4	SMX4	GCBPT-1000001~3999999	BE54D A		TX2	TX2	GCBPT-1000001~3999999	BE54D A
		SMX4/A	GCBPT-4000001~	BE99M A			TX2/A	GCBPT-4000001~	BE99M A
	SMXC	SMXC	GCBPT-1000001~9999999	BE54E A		TX4	TX4	GCBPT-1000001~3999999	BE54D A
	SMXE	SMXE	GCBPT-1000001~3999999	BE54D A			TX4/A	GCBPT-4000001~	BE99M A
		SMXE/A	GCBPT-4000001~	BE99M A		TXC9	TXC9	GCBPT-1000001~	BE54E A
	SSX2	SSX2	GCBPT-1000001~3999999	BE54C A		TXDU	TXDU	GCBPT-1000001~3999999	BE54D A
		SSX2/A	GCBPT-4000001~	BE99M A			TXDU/A	GCBPT-4000001~	BE99M A
	SWX2	SWX2	GCBPT-1000001~3999999	BE54D A		UXU	UXU	GCBPT-1000001~3999999	BE54D A
		SWX2/A	GCBPT-4000001~	BE99M A			UXU/A	GCBPT-4000001~	BE99M A

Model	Type	Parts catalogue type	Applicable engine serial No.	Applicable carburetor identification No.	Model	Type	Parts catalogue type	Applicable engine serial No.	Applicable carburetor identification No.
GX160UT2	VA2	VA2	GCBPT-1000001~3999999	BE54D A	GX160UT2	WMB0	WMB0	GCBPT-1000001~3999999	BE61V A BE66U A
		VA2/A	GCBPT-4000001~	BE99M A			WMB0/A	GCBPT-4000001~	BE61V A
	VCG	VCG	GCBPT-1000001~3999999	BE99N A BEA4Z A		WMT4	WMT4	GCBPT-1000001~3999999	BE61V A BE66U A
		VCG/A	GCBPT-4000001~9999999	BE99N A			WMT4/A		BE61V A
	VG25	VG25	GCBPT-1000001~3999999	BE54D A	GX160UT2X	HH26	HH26	GCBPT-4000001~	BE99M A
		VG25/A	GCBPT-4000001~	BE99M A		HX2	HX2		
	VG29	VG29	GCBPT-1000001~9999999	BE54E A		HX4	HX4		
		VSD9	VSD9	GCBPT-1000001~3999999		BE54C A	HXE8		
	VSD9/A		GCBPT-4000001~	BE99M A		LX2	LX2		
	VX2	VX2	GCBPT-1000001~3999999	BE54D A		LX4	LX4		
		VX2/A	GCBPT-4000001~9999999	BE99M A		LXM2	LXM2		
	VXE9	VXE9	GCBPT-1000001~3999999	BE54C A		PXU	PXU		
		VXE9/A	GCBPT-4000001~	BE99M A		QA2	QA2		
	VXU1	VXU1	GCBPT-1000001~3999999	BE54D A		QAX4	QAX4		
		VXU1/A	GCBPT-4000001~9999999	BE99M A	QBM2	QBM2			
	WKS	WKS	GCBPT-1000001~3999999	BE61V A BE66U A	QC9	QC9			
		WKS/A	GCBPT-4000001~	BE61V A	QCM	QCM			
	WKT2	WKT2	GCBPT-1000001~3999999	BE54D A	QGR9	QGR9			
		WKT2/A	GCBPT-4000001~	BE99M A	QH26	QH26			



Model	Type	Parts catalogue type	Applicable engine serial No.	Applicable carburetor identification No.	Model	Type	Parts catalogue type	Applicable engine serial No.	Applicable carburetor identification No.	
GX160UT2X	QHQ4	QHQ4	GCBPT-4000001~	BE99M A	GX160UT2X	RXE2	RXE2	GCBPT-4000001~	BE99M A	
	QMC6	QMC6		BE61V A		S1CY	S1CY		BE99N A	
	QMC8	QMC8		GCBPT-6000001~		BE99M A	SCM		SCM	BE61V A
	QMD6	QMD6					SD16		SD16	BE99M A
	QME4	QME4					SG24		SG24	
	QMX2	QMX2					SHCC		SHCC	
	QWA4	QWA4	SHQ4				SHQ4			
	QX2	QX2	SHRY				SHRY			
	QX4	QX4	SMC7				SMC7			
	QX9	QX9	SMW2				SMW2			
	QXE2	QXE2	SMX4				SMX4			
	QXE5	QXE5	SMXE				SMXE			
	QXEB	QXEB	SSX2	SSX2						
	QXGB	QXGB	SWX2	SWX2						
	QXU	QXU	SX4	SX4						
	QXWE	QXWE	SXE5	SXE5						
	RH2	RH2	SXS4	SXS4						
	RHQ4	RHQ4	SXU	SXU						
	RX4	RX4	TX2	TX2						

Model	Type	Parts catalogue type	Applicable engine serial No.	Applicable carburetor identification No.	
GX160UT2X	TX4	TX4	GCBPT-4000001~	BE99M A	
	TXDU	TXDU			
	UXU	UXU			
	VA2	VA2			
	VG25	VG25			
	VSD9	VSD9			
	VXE9	VXE9			
	WKS	WKS			BE61V A
	WKT2	WKT2			BE99M A
	WMB0	WMB0			BE61V A
	WMT4	WMT4			
GX160RT1	RHG4	RHG4	GCAFT-1000001~	BE65Q A	
	SWG4	SWG4			
GX160RT2	EMAN	EMAN	GCBPT-1000001~3999999	BE67W A	
		EMAN/A	GCBPT-4000001~	BE62N B	
	QHG4	QHG4	GCBPT-1000001~3999999	BE54D A	
		QHG4/A	GCBPT-4000001~	BE99V A	
	RHG4	RHG4	GCBPT-1000001~3999999	BE54C A BEA4F A	
		RHG4/A	GCBPT-4000001~	BE99V A	

Model	Type	Parts catalogue type	Applicable engine serial No.	Applicable carburetor identification No.
GX160RT2	SWG4	SWG4	GCBPT-1000001~3999999	BE54C A BEA4F A
		SWG4/A	GCBPT-4000001~9999999	BE99V A
	VES6	VES6	GCBPT-1000001~3999999	BE67W A
		VES6/A	GCBPT-4000001~	BE62N B
	VGE4	VGE4	GCBPT-1000001~	BE54D A
	VGE5	VGE5		
	VHH4	VHH4	GCBPT-1000001~3999999	BE99V A
		VHH4/A	GCBPT-4000001~9999999	
	VPM5	VPM5	GCBPT-1000001~9999999	BE67W A
	VS19	VS19		
	VWS	VWS		
	VWS1	VWS1	GCBPT-1000001~3999999	BE67W B
		VWS1/A	GCBPT-4000001~	BE62N B
	VWWN	VWWN	GCBPT-1000001~3999999	BE67W A
		VWWN/A	GCBPT-4000001~	BE62N B



Model	Type	Parts catalogue type	Applicable engine serial No.	Applicable carburetor identification No.
GX160RT2X	EMAN	EMAN	GCBPT-4000001~	BE62N B
	QHG4	QHG4		BE99V A
	RHG4	RHG4		
	VES6	VES6		
	VWS1	VWS1		BE62N B
	VWWN	VWWN		

* Of carburetor identification numbers, only the portions underlined in the example below are used for registration.

BE 65Q A KC ナ
 (A) (B)

Features of each type

• See the following table for the features of each type. (Items in brackets are optional)

Specifications		Model	GX160UT1											
		Type	HH26	HHQ4	HX2	HX4	HXE8	HXU	LHQ4	LX2	LX26	LX4	LXU	PXU
Crankshaft	20mm ϕ Spline								●	●	●	●	●	
	21mm ϕ Pinion	●	●	●	●	●	●							
	20mm ϕ Straight													
	19.05mm ϕ Straight													
	3/16 Tapered													
	1/5 Tapered													
	3/4" Thread													●
	M16 Thread													
	M18 Thread													
	1/2" Thread													
	5/8" Thread													
Oil alert unit				●	●	●	●		●	●	●	●	●	●
Engine stop switch		●	●	●	●		●	●	●	●	●	●	●	●
Engine stop switch (~1654685)														
Air cleaner	Dual	●	●	●	●	●	●	●	●	●	●	●	●	●
	Semi dry													
	Oil bath													
	Standard													
	Cyclone													
Spark arrester		(●)	(●)	(●)	(●)	(●)	(●)	(●)	(●)	(●)	(●)	(●)	(●)	(●)
Fuel tank		●	●	●	●	●	●	●	●	●	●	●	●	●
Coil	Lamp coil													
	Charge coil					●								
Starter motor						●								
Reduction		●	●	●	●	●	●	●	●	●	●	●	●	
Muffler cover			(●)		(●)			(●)			(●)			

Specifications		Model	GX160UT1										
		Type	QA2	QA26	QAX2	QAX4	QBC2	QBM2	QBT6	QCB2	QCL	QGR9	QH26
Crankshaft	20mm ϕ Spline												
	21mm ϕ Pinion												
	20mm ϕ Straight												
	19.05mm ϕ Straight	●	●	●	●	●	●	●	●	●	●	●	●
	3/16 Tapered												
	1/5 Tapered												
	3/4" Thread												
	M16 Thread												
	M18 Thread												
	1/2" Thread												
	5/8" Thread												
Oil alert unit				●	●			●		●	●		
Engine stop switch		●	●	●	●		●	●	●	●	●	●	●
Engine stop switch (~1654685)						●							
Air cleaner	Dual			●	●	●	●	●	●	●	●	●	●
	Semi dry												
	Oil bath	●	●										
	Standard												
	Cyclone												
Spark arrester		●	●	(●)	(●)	●	●	(●)	(●)	(●)	(●)	(●)	(●)
Fuel tank		●	●	●	●	●	●	●	●		●	●	
Coil	Lamp coil												
	Charge coil			●	●						●		
Starter motor													
Reduction													
Muffler cover													(●)

Specifications		Model	GX160UT1											
		Type	QH4	QH4U	QKA4	QMC6	QMC8	QMD6	QME4	QMP4	QM22	QNT	QNT4	QPU
Crankshaft	20mm ϕ Spline													
	21mm ϕ Pinion													
	20mm ϕ Straight													
	19.05mm ϕ Straight	●	●	●	●	●	●	●	●	●	●	●	●	●
	3/16 Tapered													
	1/5 Tapered													
	3/4" Thread													
	M16 Thread													
	M18 Thread													
	1/2" Thread													
	5/8" Thread													
Oil alert unit				●		●	●				●	●		
Engine stop switch		●	●		●	●	●	●	●	●	●	●	●	●
Engine stop switch (~1654685)														
Air cleaner	Dual	●	●	●		●	●				●	●		●
	Semi dry				●									
	Oil bath							●	●					
	Standard													
	Cyclone												●	
Spark arrester		(●)	(●)	(●)	(●)	●	●	(●)	(●)	●	●	●	●	(●)
Fuel tank		●	●	●	●	●	●	●	●	●	●	●	●	●
Coil	Lamp coil				●		●							
	Charge coil			●										
Starter motor				●										
Reduction														
Muffler cover		(●)	(●)	(●)	(●)	(●)	(●)	(●)	(●)		(●)	(●)		

Specifications		Model	GX160UT1											
		Type	QW24	QWA4	QWW2	QWX2	QX2	QX26	QX4	QX7	QX9	QXC4	QXC9	QXE2
Crankshaft	20mm ϕ Spline													
	21mm ϕ Pinion													
	20mm ϕ Straight													
	19.05mm ϕ Straight	●	●	●	●	●	●	●	●	●	●	●	●	
	3/16 Tapered													
	1/5 Tapered													
	3/4" Thread													
	M16 Thread													
	M18 Thread													
	1/2" Thread													
5/8" Thread														
Oil alert unit		●	●	●	●	●	●	●	●	●	●	●	●	
Engine stop switch		●	●	●	●	●	●	●	●	●	●	●		
Engine stop switch (~1654685)														
Air cleaner	Dual	●	●	●	●	●	●	●	●	●			●	
	Semi dry													
	Oil bath													
	Standard													
	Cyclone										●	●		
Spark arrester		(●)	●	(●)	(●)	(●)	(●)	(●)	(●)	(●)	●	●	(●)	
Fuel tank		●	●	●	●	●	●	●	●	●	●	●	●	
Coil	Lamp coil													
	Charge coil												●	
Starter motor													●	
Reduction														
Muffler cover		(●)	(●)	(●)				(●)	(●)	(●)				

Specifications		Model	GX160UT1											
		Type	QXE4	QXE5	QXE8	QXF2	QXP2	QXS2	QXU	QXW	QXWE	RH2	RHQ4	RTB2
Crankshaft	20mm \emptyset Spline													
	21mm \emptyset Pinion													
	20mm \emptyset Straight										●	●	●	
	19.05mm \emptyset Straight	●	●	●	●	●	●	●	●	●				
	3/16 Tapered													
	1/5 Tapered													
	3/4" Thread													
	M16 Thread													
	M18 Thread													
	1/2" Thread													
	5/8" Thread													
Oil alert unit		●	●	●	●	●	●	●	●	●				
Engine stop switch					●		●	●			●	●	●	
Engine stop switch (~1654685)														
Air cleaner	Dual	●	●	●	●	●	●	●	●	●	●	●	●	
	Semi dry													
	Oil bath													
	Standard													
	Cyclone													
Spark arrester		(●)	(●)	(●)	(●)	(●)	(●)	(●)	(●)	(●)	(●)	(●)	(●)	
Fuel tank		●	●	●	●	●	●	●	●	●	●	●	●	
Coil	Lamp coil						●							
	Charge coil	●	●	●		●			●	●				
Starter motor		●	●	●		●			●	●				
Reduction											●	●	●	
Muffler cover		(●)	(●)						(●)	(●)		(●)		



Specifications		Model	GX160UT1										
		Type	RX4	RXE2	RXP2	RXU	SD16	SG22	SG24	SHQ4	SHQU	SMC7	SMC9
Crankshaft	20mm \emptyset Spline												
	21mm \emptyset Pinion												
	20mm \emptyset Straight	●	●	●	●	●	●	●	●	●	●	●	●
	19.05mm \emptyset Straight												
	3/16 Tapered												
	1/5 Tapered												
	3/4" Thread												
	M16 Thread												
	M18 Thread												
	1/2" Thread												
5/8" Thread													
Oil alert unit		●	●	●	●		●	●			●	●	●
Engine stop switch		●			●	●	●	●	●	●	●	●	●
Engine stop switch (~1654685)													
Air cleaner	Dual	●	●	●	●		●	●	●	●	●	●	●
	Semi dry					●							
	Oil bath												
	Standard												
	Cyclone												
Spark arrester		(●)	(●)	(●)	(●)	(●)	●	●	(●)	(●)	●	●	●
Fuel tank		●	●	●	●	●	●	●	●	●	●	●	●
Coil	Lamp coil											●	
	Charge coil		●	●									
Starter motor			●	●									
Reduction		●	●	●	●								
Muffler cover		(●)					(●)	(●)	(●)	(●)	(●)	(●)	

Specifications		Model	GX160UT1											
		Type	SWX2	SX2	SX4	SX7	SX9	SXE4	SXE5	SXS	SXS2	SXS4	SXU	TCS2
Crankshaft	20mm \emptyset Spline													
	21mm \emptyset Pinion													
	20mm \emptyset Straight	●	●	●	●	●	●	●	●	●	●	●		
	19.05mm \emptyset Straight													
	3/16 Tapered													
	1/5 Tapered													
	3/4" Thread													
	M16 Thread													
	M18 Thread													
	1/2" Thread													
5/8" Thread													●	
Oil alert unit		●	●	●	●	●	●	●	●	●	●	●	●	●
Engine stop switch		●	●	●	●	●			●	●	●	●	●	●
Engine stop switch (~1654685)														
Air cleaner	Dual	●	●	●	●	●	●	●	●	●	●	●	●	●
	Semi dry													
	Oil bath													
	Standard													
	Cyclone													
Spark arrester		(●)	(●)	(●)	(●)	(●)	(●)	(●)	(●)	(●)	●	●	(●)	(●)
Fuel tank		●	●	●	●	●	●	●	●	●	●	●	●	
Coil	Lamp coil													
	Charge coil						●	●						
Starter motor							●	●						
Reduction														
Muffler cover		(●)	(●)	(●)	(●)	(●)	(●)	(●)	(●)	(●)	(●)			

Specifications		Model	GX160UT1											
		Type	TW24	TX2	TX26	TX4	TXC9	TXDU	TXU	UXU	VA2	VG24	VG29	VE2
Crankshaft	20mm \emptyset Spline													
	21mm \emptyset Pinion													
	20mm \emptyset Straight													
	19.05mm \emptyset Straight													
	3/16 Tapered									●				●
	1/5 Tapered										●	●		
	3/4" Thread													
	M16 Thread													
	M18 Thread													
	1/2" Thread									●				
	5/8" Thread	●	●	●	●	●	●	●	●					
Oil alert unit		●	●	●	●	●	●	●	●	●	●	●	●	
Engine stop switch		●	●	●	●	●	●	●	●	●	●	●	●	
Engine stop switch (~1654685)														
Air cleaner	Dual	●	●	●	●		●	●	●	●	●		●	
	Semi dry													
	Oil bath													
	Standard													
	Cyclone					●						●		
Spark arrester		(●)	(●)	(●)	(●)	(●)	●	(●)	(●)	●	●	●	(●)	
Fuel tank		●	●	●	●	●	●	●	●	●	●	●		
Coil	Lamp coil													
	Charge coil													
Starter motor														
Reduction														
Muffler cover		(●)			(●)						(●)	(●)		

Specifications		Model	GX160UT1											
		Type	VGE4	VGE5	VHA9	VHH4	VMS4	VPM4	VPM5	VPM8	VPM9	VPMN	VPR4	VPR9
Crankshaft	20mm Ø Spline													
	21mm Ø Pinion													
	20mm Ø Straight													
	19.05mm Ø Straight													
	3/16 Tapered	●	●	●	●	●	●	●	●	●	●	●	●	●
	1/5 Tapered													
	3/4" Thread													
	M16 Thread													
	M18 Thread													
	1/2" Thread													
5/8" Thread														
Oil alert unit		●	●	●	●	●	●	●	●	●	●	●	●	●
Engine stop switch		●		●	●	●		●	●	●	●			
Engine stop switch (~1654685)														
Air cleaner	Dual	●	●	●	●	●								
	Semi dry													
	Oil bath													
	Standard						●	●	●	●	●	●	●	●
	Cyclone													
Spark arrester		(●)	(●)	(●)	(●)	●	(●)	●	(●)	●	●	●	●	●
Fuel tank						●								
Coil	Lamp coil													
	Charge coil													
Starter motor														
Reduction														
Muffler cover				(●)	(●)	(●)								



Specifications		Model	GX160UT1										
		Type	VS17	VS19	VSD	VSD1	VSD2	VSD7	VSD9	VWA2	VWW2	VWWN	VX2
Crankshaft	20mm \emptyset Spline												
	21mm \emptyset Pinion												
	20mm \emptyset Straight												
	19.05mm \emptyset Straight												
	3/16 Tapered	●	●	●	●	●	●	●	●	●	●	●	●
	1/5 Tapered												
	3/4" Thread												
	M16 Thread												
	M18 Thread												
	1/2" Thread												
5/8" Thread													
Oil alert unit		●	●	●	●	●	●	●	●	●	●	●	●
Engine stop switch		●	●	●	●	●	●	●	●	●	●	●	●
Engine stop switch (~1654685)													
Air cleaner	Dual			●		●	●	●	●			●	●
	Semi dry												
	Oil bath												
	Standard	●	●		●					●	●		
	Cyclone												
Spark arrester		●	●	(●)	●	(●)	(●)	(●)	●	(●)	(●)	(●)	(●)
Fuel tank				●		●	●	●	●			●	●
Coil	Lamp coil												
	Charge coil												
Starter motor													
Reduction													
Muffler cover				(●)		(●)	(●)	(●)					(●)

Specifications		Model	GX160UT1							GX160UT2			
		Type	VXE9	VXU1	VXW2	WKS	WKT2	WKT4	WKT6	WMB0	HH26	HHQ4	HX2
Crankshaft	20mm Ø Spline												
	21mm Ø Pinion									●	●	●	●
	20mm Ø Straight												
	19.05mm Ø Straight												
	3/16 Tapered	●	●	●									
	1/5 Tapered												
	3/4" Thread												
	M16 Thread				●								
	M18 Thread					●	●	●	●				
	1/2" Thread												
5/8" Thread													
Oil alert unit		●	●	●	●	●	●	●			●	●	
Engine stop switch			●	●	●	●	●	●	●	●	●	●	●
Engine stop switch (~1654685)													
Air cleaner	Dual	●	●	●						●	●	●	●
	Semi dry				●	●	●	●	●				
	Oil bath												
	Standard												
	Cyclone												
Spark arrester		(●)	(●)	(●)	(●)	●	●	●	(●)	(●)	(●)	(●)	(●)
Fuel tank		●	●		●	●	●	●	●	●	●	●	●
Coil	Lamp coil												
	Charge coil	●											
Starter motor		●											
Reduction										●	●	●	●
Muffler cover		(●)						(●)	(●)		(●)		(●)

Specifications		Model	GX160UT2											
		Type	HXE8	LHN4	LHQ4	LX2	LX4	LXM2	PXU	QA2	QAX2	QAX4	QBC2	QBM2
Crankshaft	20mm \emptyset Spline			●	●	●	●	●						
	21mm \emptyset Pinion	●												
	20mm \emptyset Straight													
	19.05mm \emptyset Straight									●	●	●	●	●
	3/16 Tapered													
	1/5 Tapered													
	3/4" Thread							●						
	M16 Thread													
	M18 Thread													
	1/2" Thread													
	5/8" Thread													
Oil alert unit		●			●	●	●	●		●	●			
Engine stop switch				●	●	●	●	●	●	●	●		●	
Engine stop switch (~1654685)														
Air cleaner	Dual	●	●	●	●	●	●	●		●	●	●	●	
	Semi dry													
	Oil bath								●					
	Standard													
	Cyclone													
Spark arrester		(●)	(●)	(●)	(●)	(●)	●	(●)	●	(●)	(●)	●	●	
Fuel tank		●	●	●	●	●	●	●	●	●	●	●	●	●
Coil	Lamp coil													
	Charge coil	●								●	●			
Starter motor		●												
Reduction		●	●	●	●	●	●							
Muffler cover			(●)	(●)		(●)								

Specifications		Model	GX160UT2										
		Type	QC9	QCM	QGR9	QH26	QH4	QMC6	QMC8	QMD6	QME4	QMP4	QMX2
Crankshaft	20mm ϕ Spline												
	21mm ϕ Pinion												
	20mm ϕ Straight												
	19.05mm ϕ Straight	●	●	●	●	●	●	●	●	●	●	●	●
	3/16 Tapered												
	1/5 Tapered												
	3/4" Thread												
	M16 Thread												
	M18 Thread												
	1/2" Thread												
5/8" Thread													
Oil alert unit		●	●	●				●	●			●	●
Engine stop switch		●	●	●	●	●	●	●	●	●	●	●	●
Engine stop switch (~1654685)													
Air cleaner	Dual			●	●	●		●	●			●	
	Semi dry						●						
	Oil bath								●	●			
	Standard												
	Cyclone	●	●										●
Spark arrester		●	●	(●)	(●)	(●)	(●)	●	●	(●)	(●)	●	●
Fuel tank		●	●	●	●	●	●	●	●	●	●	●	●
Coil	Lamp coil						●		●				
	Charge coil			●									
Starter motor													
Reduction													
Muffler cover						(●)	(●)	(●)	(●)	(●)	(●)		



Specifications		Model	GX160UT2										
		Type	QPU	QWA4	QWX2	QX2	QX4	QX9	QXC9	QXE2	QXE5	QXE8	QXEB
Crankshaft	20mm \emptyset Spline												
	21mm \emptyset Pinion												
	20mm \emptyset Straight												
	19.05mm \emptyset Straight	●	●	●	●	●	●	●	●	●	●	●	●
	3/16 Tapered												
	1/5 Tapered												
	3/4" Thread												
	M16 Thread												
	M18 Thread												
	1/2" Thread												
5/8" Thread													
Oil alert unit			●	●	●	●	●	●	●	●	●	●	●
Engine stop switch		●	●	●	●	●	●	●					●
Engine stop switch (~1654685)													
Air cleaner	Dual	●	●	●	●	●	●		●	●	●	●	●
	Semi dry												
	Oil bath												
	Standard												
	Cyclone							●					
Spark arrester		(●)	●	(●)	(●)	(●)	(●)	●	(●)	(●)	(●)	(●)	(●)
Fuel tank		●	●	●	●	●	●	●	●	●	●	●	●
Coil	Lamp coil												
	Charge coil								●	●	●	●	●
Starter motor									●	●	●	●	
Reduction													
Muffler cover			(●)			(●)	(●)			(●)		(●)	

Specifications		Model	GX160UT2										
		Type	QXM2	QXS2	QXU	QXWE	RH2	RHQ4	RX4	RXE2	RXU	S1CY	SCM
Crankshaft	20mm \emptyset Spline												
	21mm \emptyset Pinion												
	20mm \emptyset Straight					●	●	●	●	●	●	●	●
	19.05mm \emptyset Straight	●	●	●	●								
	3/16 Tapered												
	1/5 Tapered												
	3/4" Thread												
	M16 Thread												
	M18 Thread												
	1/2" Thread												
5/8" Thread													
Oil alert unit		●	●	●	●			●	●	●		●	
Engine stop switch		●	●	●		●	●	●		●	●	●	●
Engine stop switch (~1654685)													
Air cleaner	Dual	●	●	●	●	●	●	●	●	●	●		
	Semi dry												●
	Oil bath												
	Standard												
	Cyclone											●	
Spark arrester		●	(●)	(●)	(●)	(●)	(●)	(●)	(●)	(●)	●	●	(●)
Fuel tank		●	●	●	●	●	●	●	●	●	●	●	●
Coil	Lamp coil		●										
	Charge coil				●				●				
Starter motor					●				●				
Reduction						●	●	●	●	●			
Muffler cover					(●)		(●)	(●)			(●)		



Specifications		Model	GX160UT2										
		Type	SG24	SHCC	SHQ4	SHRY	SMC7	SMC9	SMW2	SMX4	SMXC	SMXE	SSX2
Crankshaft	20mm \emptyset Spline												
	21mm \emptyset Pinion												
	20mm \emptyset Straight	●	●	●	●	●	●	●	●	●	●	●	●
	19.05mm \emptyset Straight												
	3/16 Tapered												
	1/5 Tapered												
	3/4" Thread												
	M16 Thread												
	M18 Thread												
	1/2" Thread												
5/8" Thread													
Oil alert unit		●				●	●	●	●	●	●	●	●
Engine stop switch		●	●	●	●	●	●	●	●	●	●	●	●
Engine stop switch (~1654685)													
Air cleaner	Dual	●	●	●		●	●	●	●		●	●	●
	Semi dry				●								
	Oil bath												
	Standard												
	Cyclone									●			
Spark arrester		●	●	(●)	(●)	●	●	●	(●)	●	(●)	●	(●)
Fuel tank		●	●	●	●	●	●	●	●	●	●	●	●
Coil	Lamp coil						●						
	Charge coil												
Starter motor													
Reduction													
Muffler cover		(●)	(●)	(●)		(●)	(●)		(●)		(●)		(●)

Specifications		Model	GX160UT2											
		Type	SX4	SX9	SXE5	SXS4	SXU	TX2	TX4	TXC9	TXDU	UXU	VA2	VCG
Crankshaft	20mm \emptyset Spline													
	21mm \emptyset Pinion													
	20mm \emptyset Straight	●	●	●	●	●								
	19.05mm \emptyset Straight													
	3/16 Tapered											●		
	1/5 Tapered													●
	3/4" Thread													
	M16 Thread													
	M18 Thread													
	1/2" Thread										●			
5/8" Thread							●	●	●	●				
Oil alert unit		●	●	●	●	●	●	●	●	●	●	●	●	
Engine stop switch		●	●		●	●	●	●	●	●	●	●	●	
Engine stop switch (~1654685)														
Air cleaner	Dual	●	●	●	●	●	●	●		●	●	●		
	Semi dry													
	Oil bath													
	Standard													
	Cyclone								●				●	
Spark arrester		(●)	(●)	(●)	●	(●)	(●)	(●)	(●)	●	(●)	●	●	
Fuel tank		●	●	●	●	●	●	●	●	●	●	●	●	
Coil	Lamp coil													
	Charge coil			●										
Starter motor				●										
Reduction														
Muffler cover		(●)	(●)	(●)	(●)			(●)					(●)	



Specifications		Model	GX160UT2									GX160UT2X	
		Type	VG25	VG29	VSD9	VX2	VXE9	VXU1	WKS	WKT2	WMB0	WMT4	HH26
Crankshaft	20mm \emptyset Spline												
	21mm \emptyset Pinion											●	●
	20mm \emptyset Straight												
	19.05mm \emptyset Straight												
	3/16 Tapered			●	●	●	●						
	1/5 Tapered	●	●										
	3/4" Thread												
	M16 Thread							●					
	M18 Thread								●	●	●		
	1/2" Thread												
	5/8" Thread												
Oil alert unit		●	●	●	●	●	●	●	●		●		●
Engine stop switch		●	●	●	●		●	●	●	●	●	●	●
Engine stop switch (~1654685)													
Air cleaner	Dual	●		●	●	●	●					●	●
	Semi dry							●	●	●	●		
	Oil bath												
	Standard												
	Cyclone		●										
Spark arrester		●	●	(●)	(●)	(●)	(●)	(●)	●	(●)	●	(●)	(●)
Fuel tank		●	●	●	●	●	●	●	●	●	●	●	●
Coil	Lamp coil												
	Charge coil					●							
Starter motor						●							
Reduction												●	●
Muffler cover		(●)	(●)	(●)		(●)				(●)			

Specifications		Model	GX160UT2X											
		Type	HX4	HXE8	LX2	LX4	LXM2	PXU	QA2	QAX4	QBM2	QC9	QCM	QGR9
Crankshaft	20mm \emptyset Spline				●	●	●							
	21mm \emptyset Pinion	●	●											
	20mm \emptyset Straight													
	19.05mm \emptyset Straight							●	●	●	●	●	●	
	3/16 Tapered													
	1/5 Tapered													
	3/4" Thread						●							
	M16 Thread													
	M18 Thread													
	1/2" Thread													
5/8" Thread														
Oil alert unit		●	●	●	●	●	●		●		●	●	●	
Engine stop switch		●		●	●	●	●	●	●	●	●	●	●	
Engine stop switch (~1654685)														
Air cleaner	Dual	●	●	●	●	●	●		●	●			●	
	Semi dry													
	Oil bath							●						
	Standard													
	Cyclone										●	●		
Spark arrester		(●)	(●)	(●)	(●)	●	(●)	●	(●)	●	●	●	(●)	
Fuel tank		●	●	●	●	●	●	●	●	●	●	●	●	
Coil	Lamp coil													
	Charge coil		●						●				●	
Starter motor			●											
Reduction		●	●	●	●	●								
Muffler cover		(●)			(●)									



Specifications		Model	GX160UT2X										
		Type	QH26	QH4	QMC6	QMC8	QMD6	QME4	QMX2	QWA4	QX2	QX4	QX9
Crankshaft	20mm \emptyset Spline												
	21mm \emptyset Pinion												
	20mm \emptyset Straight												
	19.05mm \emptyset Straight	●	●	●	●	●	●	●	●	●	●	●	●
	3/16 Tapered												
	1/5 Tapered												
	3/4" Thread												
	M16 Thread												
	M18 Thread												
	1/2" Thread												
	5/8" Thread												
Oil alert unit					●	●		●	●	●	●	●	●
Engine stop switch		●	●	●	●	●	●	●	●	●	●	●	
Engine stop switch (~1654685)													
Air cleaner	Dual	●	●		●	●		●	●	●	●	●	●
	Semi dry			●									
	Oil bath						●						
	Standard												
	Cyclone												
Spark arrester		(●)	(●)	(●)	●	●	(●)	●	●	(●)	(●)	(●)	(●)
Fuel tank		●	●	●	●	●	●	●	●	●	●	●	●
Coil	Lamp coil			●		●							
	Charge coil												●
Starter motor													●
Reduction													
Muffler cover			(●)	(●)	(●)	(●)	(●)		(●)		(●)	(●)	

Specifications		Model	GX160UT2X											
		Type	QXE5	QXEB	QXGB	QXU	QXWE	RH2	RHQ4	RX4	RXE2	S1CY	SCM	SD16
Crankshaft	20mm ϕ Spline													
	21mm ϕ Pinion													
	20mm ϕ Straight						●	●	●	●	●	●	●	
	19.05mm ϕ Straight	●	●	●	●	●								
	3/16 Tapered													
	1/5 Tapered													
	3/4" Thread													
	M16 Thread													
	M18 Thread													
	1/2" Thread													
5/8" Thread														
Oil alert unit		●	●	●	●	●			●	●		●		
Engine stop switch				●	●		●	●	●		●	●	●	
Engine stop switch (~1654685)														
Air cleaner	Dual	●	●	●	●	●	●	●	●	●	●			
	Semi dry												●	
	Oil bath													
	Standard													
	Cyclone											●		
Spark arrester		(●)	(●)	(●)	(●)	(●)	(●)	(●)	(●)	(●)	●	●	(●)	
Fuel tank		●	●	●	●	●	●	●	●	●	●	●	●	
Coil	Lamp coil													
	Charge coil	●	●	●		●				●				
Starter motor		●	●			●				●				
Reduction							●	●	●	●				
Muffler cover		(●)	(●)			(●)		(●)	(●)		(●)			

Specifications		Model	GX160UT2X										
		Type	SG24	SHCC	SHQ4	SHRY	SMC7	SMW2	SMX4	SMXE	SSX2	SWX2	SX4
Crankshaft	20mm \emptyset Spline												
	21mm \emptyset Pinion												
	20mm \emptyset Straight	●	●	●	●	●	●	●	●	●	●	●	●
	19.05mm \emptyset Straight												
	3/16 Tapered												
	1/5 Tapered												
	3/4" Thread												
	M16 Thread												
	M18 Thread												
	1/2" Thread												
5/8" Thread													
Oil alert unit		●				●	●	●	●	●	●	●	●
Engine stop switch		●	●	●	●	●	●	●	●	●	●	●	
Engine stop switch (~1654685)													
Air cleaner	Dual	●	●	●		●	●	●	●	●	●	●	●
	Semi dry				●								
	Oil bath												
	Standard												
	Cyclone												
Spark arrester		●	●	(●)	(●)	●	●	(●)	(●)	●	(●)	(●)	(●)
Fuel tank		●	●	●	●	●	●	●	●	●	●	●	●
Coil	Lamp coil												
	Charge coil												●
Starter motor													●
Reduction													
Muffler cover		(●)	(●)	(●)		(●)		(●)	(●)		(●)	(●)	(●)

Specifications		Model	GX160UT2X										
		Type	SXS4	SXU	TX2	TX4	TXDU	UXU	VA2	VG25	VSD9	VXE9	WKS
Crankshaft	20mm Ø Spline												
	21mm Ø Pinion												
	20mm Ø Straight	●	●										
	19.05mm Ø Straight												
	3/16 Tapered							●		●	●		
	1/5 Tapered								●				
	3/4" Thread												
	M16 Thread											●	
	M18 Thread												●
	1/2" Thread						●						
5/8" Thread				●	●	●							
Oil alert unit		●	●	●	●	●	●	●	●	●	●	●	●
Engine stop switch		●	●	●	●	●	●	●	●	●		●	●
Engine stop switch (~1654685)													
Air cleaner	Dual	●	●	●	●	●	●	●	●	●	●		
	Semi dry											●	●
	Oil bath												
	Standard												
	Cyclone												
Spark arrester		●	(●)	(●)	(●)	●	(●)	●	●	(●)	(●)	(●)	●
Fuel tank		●	●	●	●	●	●	●	●	●	●	●	●
Coil	Lamp coil												
	Charge coil										●		
Starter motor											●		
Reduction													
Muffler cover		(●)			(●)				(●)	(●)	(●)		



Specifications		Model	GX160UT2X		GX160RT1		GX160RT2						
		Type	WMB0	WMT4	RHG4	SWG4	EMAN	QHG4	RHG4	SWG4	VES6	VGE4	VGE5
Crankshaft	20mm \emptyset Spline												
	21mm \emptyset Pinion												
	20mm \emptyset Straight			●	●			●	●				
	19.05mm \emptyset Straight						●						
	3/16 Tapered									●	●	●	
	1/5 Tapered					●				●			
	3/4" Thread												
	M16 Thread												
	M18 Thread	●	●										
	1/2" Thread												
	5/8" Thread												
Oil alert unit			●		●	●			●	●	●	●	●
Engine stop switch		●	●	●		●	●	●			●		●
Engine stop switch (~1654685)													
Air cleaner	Dual			●	●		●	●	●		●	●	●
	Semi dry	●	●										
	Oil bath												
	Standard					●				●			
	Cyclone												
Spark arrester		(●)	●	(●)	(●)	●	(●)	(●)	(●)	●	(●)	(●)	(●)
Fuel tank		●	●										
Coil	Lamp coil					●							
	Charge coil												
Starter motor					●				●				
Reduction				●				●					
Muffler cover		(●)		(●)	(●)		(●)	(●)	(●)				(●)

Specifications		Model	GX160RT2					GX160RT2X				
		Type	VPM5	VS19	VWS	VWS1	VWWN	EMAN	QHG4	RHG4	VES6	VWS1
Crankshaft	20mm Ø Spline											
	21mm Ø Pinion											
	20mm Ø Straight								●			
	19.05mm Ø Straight							●				
	3/16 Tapered	●	●	●	●	●					●	●
	1/5 Tapered						●			●		
	3/4" Thread											
	M16 Thread											
	M18 Thread											
	1/2" Thread											
	5/8" Thread											
Oil alert unit		●	●	●	●	●	●			●	●	●
Engine stop switch		●	●			●	●	●	●			●
Engine stop switch (~1654685)												
Air cleaner	Dual							●	●			
	Semi dry											
	Oil bath											
	Standard	●	●	●	●	●	●			●	●	●
	Cyclone											
Spark arrester		●	●		●	(●)	●	(●)	(●)	●	●	(●)
Fuel tank												
Coil	Lamp coil						●					
	Charge coil											
Starter motor												
Reduction									●			
Muffler cover								(●)	(●)			



Fuel hose, general purpose hoses and vinyl hose

- The standard part fuel hose, general purpose hose and vinyl hose may be substituted by the coiled bulk part.
- When ordering the standard part fuel hose, general purpose hose and vinyl hose use the bulk part number written in the parts catalog in brackets () underneath the part name.
- When exchanging the hose, cut and use at the specified length as mentioned in the part name.
(For the method of cutting the bulk part, and method of filling out orders etc., please refer to the instructions issued with the bulk part.)

Bulk part number of fuel hose, general purpose hose and vinyl hose.

Example: 9 5 0 0 1 - 7 5 0 0 1 - 5 0 M

Bulk part number:

Refers to the bulk part.

Marking code (fuel hose and general purpose hose)

Change code (Vinyl hose)

Indicates number mark or change sequence, however, the code for the bulk part must be strictly 0 (zero).

Types of code:

- | | | | | | |
|-------------|--|----------------|-------------|--------------|---------------|
| • Fuel hose | 2: Red outside braid
(3 mm inside dia. only) | • General hose | 1: Ash gray | • Vinyl hose | 1: Clear |
| | 5: Black inside braid | | 2: Ash gray | | 2: Black |
| | 3: Red (3 mm inside dia. only) | | 3: Black | | 3: Light red |
| | 4: Ash gray with red stripe
(3 mm inside dia. only) | | 5: Black | | 6: Light red |
| | 6: Black | | | | 7: Pale black |

Lengths:

- 001: 1 m (standard)
003: 3 m
008: 8 m } Application or specification of some parts is not settled.

I.D code: (fuel hose and general purpose hose)

- | | | | | |
|------------|--------------------|--------------------|-----------------------------|-----------------------------|
| 30: 3.0 mm | 50: 5.0 mm | 70: 7.0 mm | 11: 11 mm | 12: 12 (outside dia. 17) mm |
| 35: 3.5 mm | 55: 5.3 mm, 5.5 mm | 75: 7.3 mm, 7.5 mm | 91: 12 (outside dia. 15) mm | 14: 14 mm |
| 45: 4.5 mm | 65: 6.5 mm | 80: 8.0 mm | 92: 12 (outside dia. 16) mm | 17: 17 mm |

ID./OD. code: (vinyl hose)

- | | | | | |
|-------------------------|--------------------------|---------------------------|---------------------------|---------------------------|
| 01: ID. 2.9, OD. 6.8 mm | 12: ID. 5.0, OD. 7.0 mm | 21: ID. 8.0, OD. 9.0 mm | 37: ID. 11.0, OD. 15.0 mm | 50: ID. 16.0, OD. 19.0 mm |
| 03: ID. 3.0, OD. 6.0 mm | 10: ID. 5.0, OD. 8.0 mm | 23: ID. 8.0, OD. 12.0 mm | 38: ID. 12.0, OD. 13.0 mm | 55: ID. 17.5, OD. 20.5 mm |
| 05: ID. 3.5, OD. 6.5 mm | 11: ID. 5.0, OD. 9.0 mm | 25: ID. 9.0, OD. 11.0 mm | 39: ID. 12.0, OD. 14.0 mm | 60: ID. 22.0, OD. 27.0 mm |
| 07: ID. 4.0, OD. 7.0 mm | 14: ID. 6.0, OD. 9.0 mm | 27: ID. 9.0, OD. 13.0 mm | 40: ID. 12.0, OD. 16.0 mm | |
| 08: ID. 4.5, OD. 6.5 mm | 17: ID. 7.0, OD. 9.0 mm | 33: ID. 10.0, OD. 14.0 mm | 43: ID. 13.0, OD. 15.0 mm | |
| 09: ID. 4.5, OD. 8.0 mm | 19: ID. 7.0, OD. 11.0 mm | 36: ID. 11.0, OD. 13.0 mm | 45: ID. 14.0, OD. 18.0 mm | |

Hose type:

- 1: Fuel hose
3: Vinyl hose
5: General hose

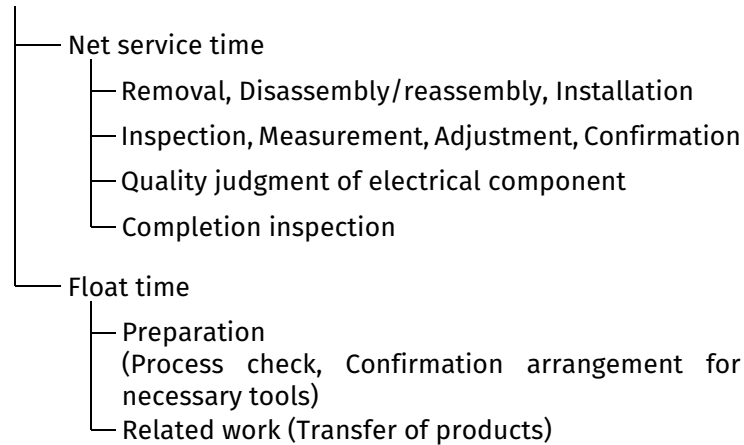
⊙ **CAUTION: It is DANGEROUS to confuse the fuel hose with the general purpose hose or vinyl hose.**

Never use a general purpose hose or vinyl hose in place of a fuel hose or vice versa. Always use the correct bulk part in the parts catalogue, according to the service manual or the instructions issued with the bulk part.

FLAT RATE SERVICE TIME

Flat rate service time (FRT) means the standard time required to service a product, which is listed in this manual to help the dealers control the actual working process and calculate the service charge by using it as a guide.

FRT setting system



* Float time is set by multiplying the net service time by a given coefficient.

Editorial style

The service items shown in the text are listed with the exchange work time for the repair sales parts as the subject. Other representative service items not using repair parts (removal/installation, adjustment, inspection/measuring, and other work) are listed collectively in the list in the preface, classified according to the work.

FRT setting standard

- Decimal system (in unit of 0.1) is adopted to set FRT as it is convenient to calculate the wage.
Example: (0.1)→6 minutes, (0.2)→12 minutes
[Labor cost per hour] x [FRT] = [Wage]
- FRT is set with a hand tool.
- Service items and FRT can be subject to change depending on development of tools and service equipment and improvement in service procedure.

Work procedure

- As the work procedure is set with the work time according to the method in the separate Service Manual, refer to this Manual as required.
- Work methods permitting servicing in the shortest time still permitting assurance of safe work and product warranty are used for the setting of service items not listed in the Service Manual.
- Work basically is to be performed by one person, and when two or more people are required, setting is done as the total time for the number of people.
- The set value for the technological level of the workers uses a person with three years of experience in the repair of Honda products as the standard.
- Special tools and service equipment used to set FRT are those specified or recommended in Service Manual.

Service item whose FRT is not presented

- Accessories and service parts that are not listed to use in this manual.
 - Locations with little aging deterioration or breakage during normal use.
 - Service work that can be finished by one touch.
 - Service work that is seldom done (i.e. extremely small causes of trouble and service frequency).
 - Products and parts whose location for installation differs according to its status of use and application.
- * When FRT is not presented, please calculate wages based on appropriate actual work time.

Operation not included of FRT

- Oil and coolant water draining, Waiting time for warming up operation and etc..
- Additional operation that involves removal/installation of standard exterior equipment.
- Indirect time spent for service by visiting the customer, trade-in, and delivery.
- Indirect time required for ordering and delivery of parts.
- Cost for grease, adhesive agent, etc. used for service work.

Explanation of FRT by using an example
(The example may differ from the actual presented items)

Ref. No.	L.O.N.	(Relative ref. Number)	Description	F.R.T.
①	1111L1	(1, 3, 4, 7)	VALVE, INTAKE 4.1	②
③	1111L1A		• NOTE: OHV type	⑦
			• Includes: Engine removal and installation	
			One head (intake all) add1.4	⑤

- ① Reference No. of the illustration of part that shows location of the replacement work.
- ② FRT is an abbreviation of Flat Rate Time indicating the standard service time required for the replacement.
- ③ LON is an abbreviation of Labor Operation Number, and it is a classification of the service items by the work unit code.

The same operation code is used regardless of the models.

Standard operation is indicated with 6 digits code, and additional operation is indicated with 7 digits code.

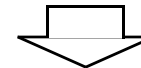
- ④ Indicating the intake valve replacement and FRT4.1.
- ⑤ Indicating FRT1.4 that will be added when additional operation (whole intake side of one cylinder head) is done in association with intake valve replacement.

- ⑥ Indicating work condition or application condition of the service item.
- ⑦ Indicating work contents that are included in the service item.
- ⑧ Indicating a reference No. whose operation and time are the same as FRT4.1 for the intake valve.

(The application range is limited to the service items without an LON setting within a same block.)

How to refer to the service item by using the sample
 (intake valve replacement)

Open to the page of the block where the intake valve's spare part illustration is shown.



Look for the intake valve illustration, and refer to the service item and FRT that agree with the reference No.



Indication mark for the listing of service items that continues to the following page

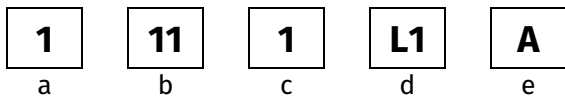
Ref. No.	L.O.N.	(Relative ref. Number) Description	F.R.T.
2	1111L1	VALVE, INTAKE	4.1
	.	.	.
	.	.	.

+
Mark indicated at the last line.

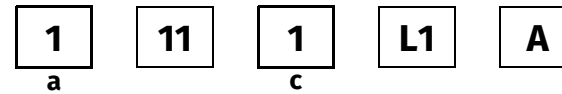
Indication of the block with no setting of FRT

Ref. No.	L.O.N.	(Relative ref. Number) Description	F.R.T.
NO INFORMATION			

• **LON code system**



- a) Category code..... Engine
- b) Location/function code..... Engine upper
- c) Operation code..... Replace
- d) Operation sequence number (Unit code can be shown with alphabet)
..... Intake valve
(No regular rule of code)
- e) Additional code..... One head (intake all)
(No regular rule of code)



a) Category codes and classification

Code	Category
1	Engine
2	Power drive
3	Fuel & Exhaust
4	Frame & Body
5	Steering
6	Electrical
7	Axle & Brake
8	Control system
9	-
0	Attachments

c) Operation codes and classification

Code	Operation category
1	Replace, Removal/Installation, Change
2	Overhaul
3	Adjust, Rotation
4	(Paint-related work: Top-coat)
5	Test, Inspect/diagnose, Measurement
6	(Overhaul-related work: Rebore)
7	(Overhaul-related work: Reseal)
8	(Resurface)
9	(Paint-related work: Refinish)
0	Repair, Cleaning, Air bleeding

Major service items without using spare parts

Removal/Installation, Adjustment, Inspection/Measurement, Overhaul, Other work

E: Engine, T: Transmission, D: Drive system, B: Body and related parts

• Adjustment

	LON	DESCRIPTION	FRT
E	1113A1	VALVE CLEARANCE-ADJUSTMENT NOTE: For 1 product	0.3
	1163A0	CONTROL, THROTTLE/GOVERNOR-ADJUSTMENT	0.2
	3113A2	CARBURETOR IDLE-ADJUSTMENT	0.2

• Inspection/Measurement

	LON	DESCRIPTION	FRT
E	1105A0	ENGINE OIL-INSPECTION	0.1

• Overhaul

Work conditions: The required measurements, inspections, adjustments, and cleaning/washing for each part are performed, including the main body removal/installation work and the replacement of defective parts.

	LON	DESCRIPTION	FRT
E	3112A0	CARBURETOR-OVERHAUL INCLUDES: All necessary adjustment	0.6

• Other work

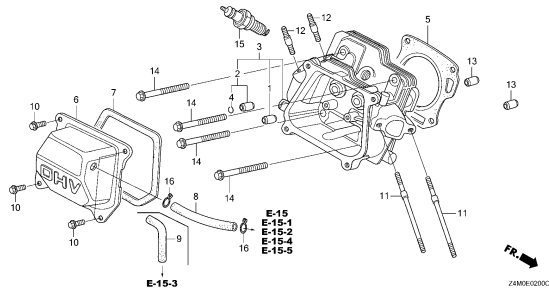
	LON	DESCRIPTION	FRT
E	1101E1	ENGINE OIL-CHANGE INCLUDES: Engine oil-inspection	0.1
	3120A0	AIR CLEANER-CLEANING INCLUDES: Air cleaner-inspection	0.2
	3130A0	SPARK ARRESTER-CLEANING INCLUDES: Spark arrester-inspection	0.2
	6140A0	SPARK PLUG-ADJUSTMENT/CLEANING INCLUDES: Spark plug check NOTE: For 1 product	0.1



ENGINE GROUP

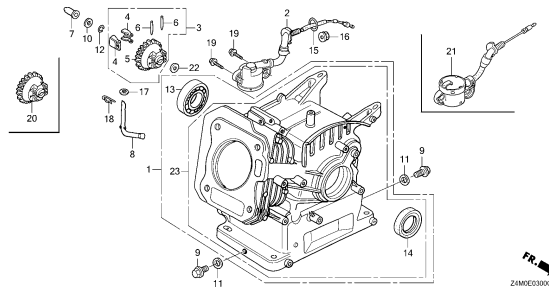
E-2

CYLINDER HEAD



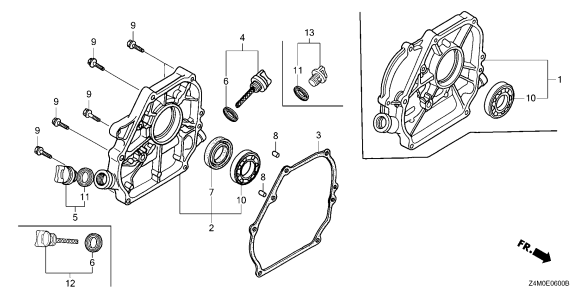
E-3

CYLINDER BARREL



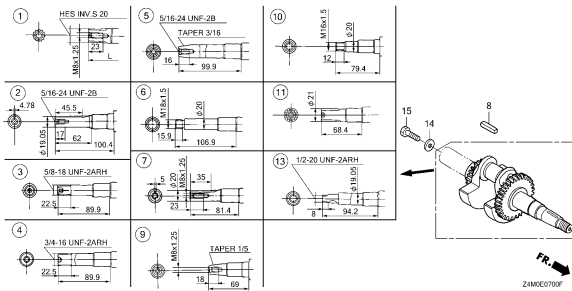
E-6

CRANKCASE COVER



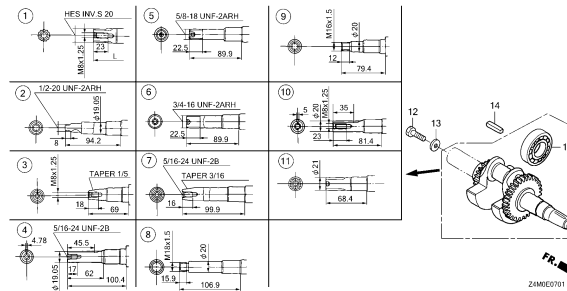
E-7

CRANKSHAFT(1)



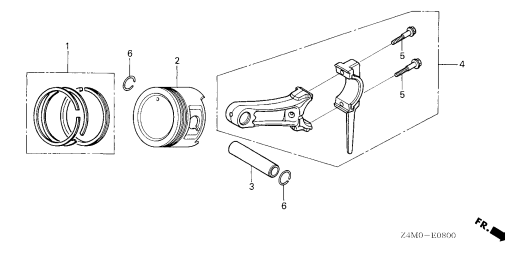
E-7-1

CRANKSHAFT(2)



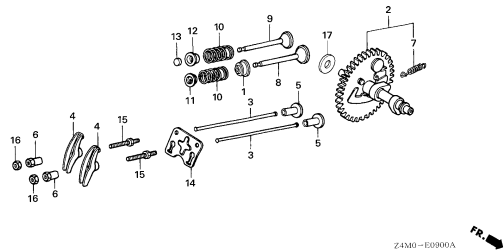
E-8

PISTON



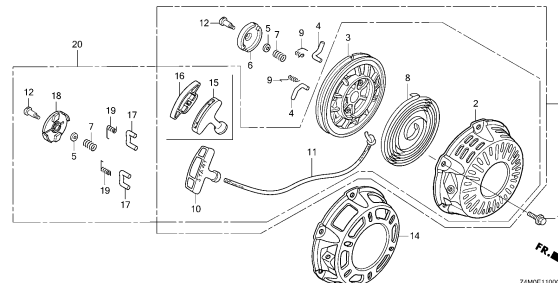
E-9

CAMSHAFT



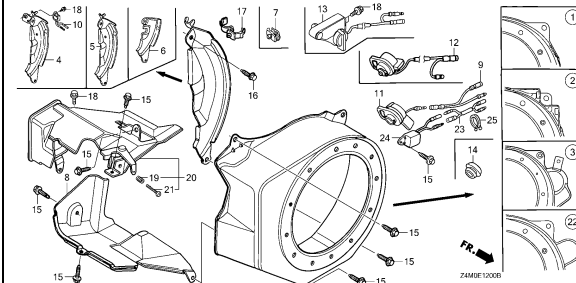
E-11

RECOIL STARTER



E-12

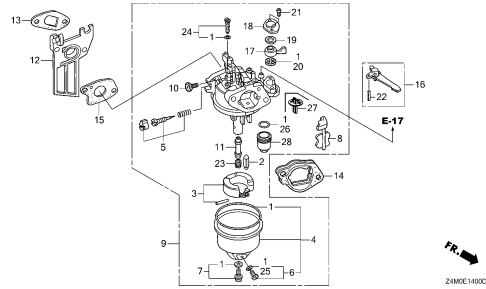
FAN COVER



ENGINE GROUP

E-14

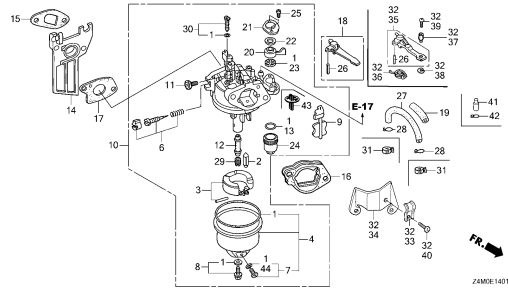
CARBURETOR(1)



ZAMDE1400C

E-14-1

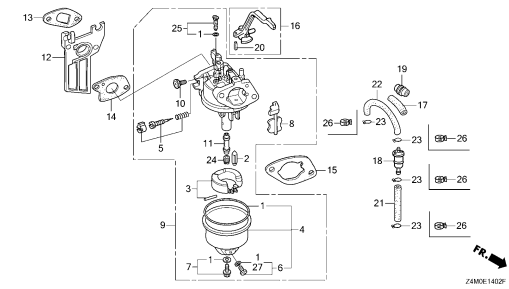
CARBURETOR(2)



ZAMDE1401G

E-14-2

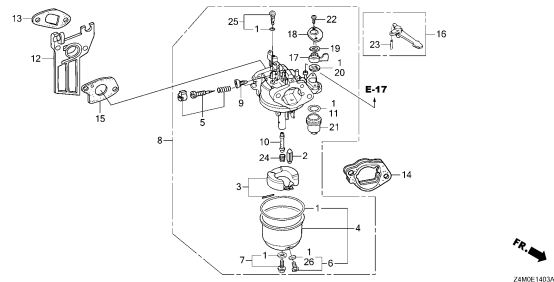
CARBURETOR(3)



ZAMDE1402P

E-14-3

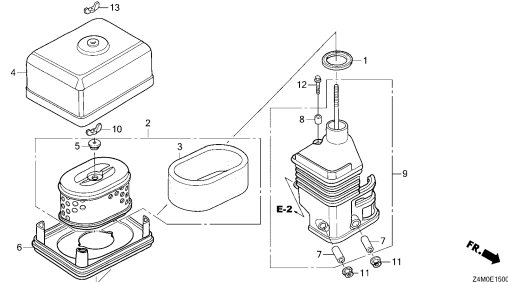
CARBURETOR(4)



ZAMDE1403A

E-15

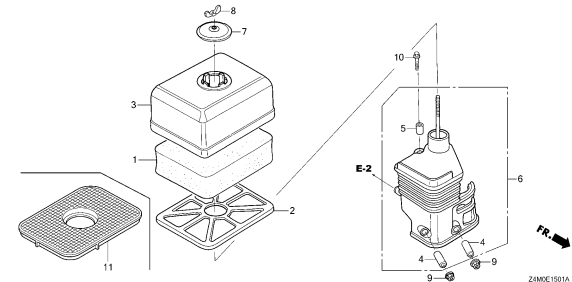
AIR CLEANER(1)



ZAMDE1500A

E-15-1

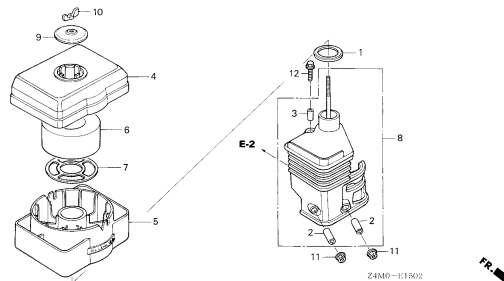
AIR CLEANER(2)



ZAMDE1501A

E-15-2

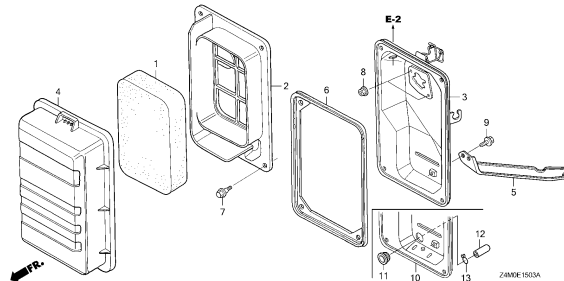
AIR CLEANER(3)



ZAMDE1510Z

E-15-3

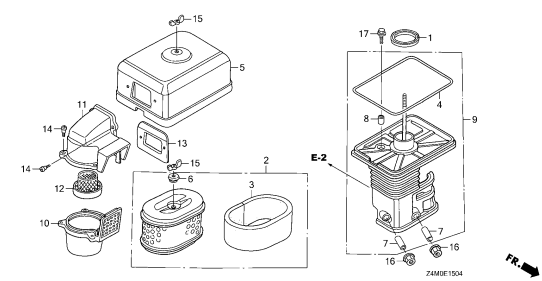
AIR CLEANER(4)



ZAMDE1503A

E-15-4

AIR CLEANER(5)



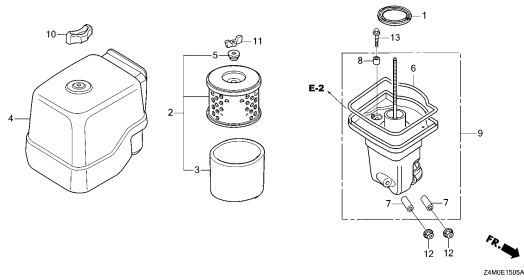
ZAMDE1504



ENGINE GROUP

E-15-5

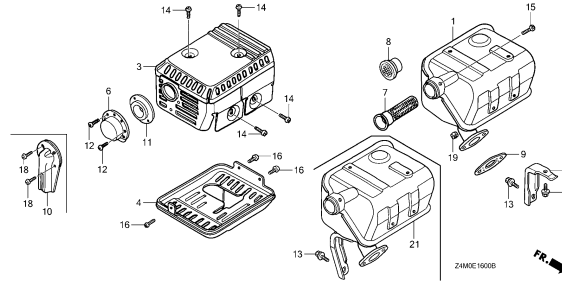
AIR CLEANER(6)



Z4MDE1505A

E-16

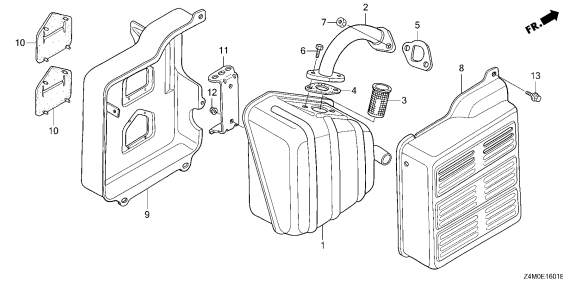
MUFFLER(1)



Z4MDE1600B

E-16-1

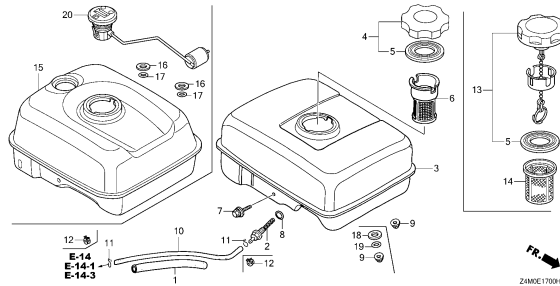
MUFFLER(2)



Z4MDE1601B

E-17

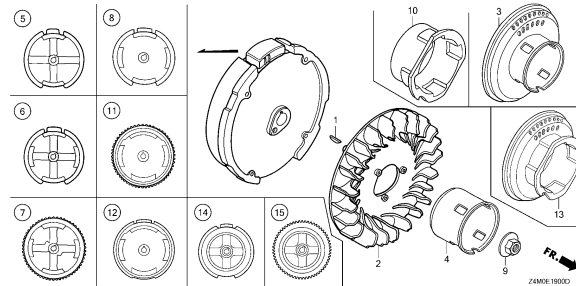
FUEL TANK



Z4MDE1700A

E-19

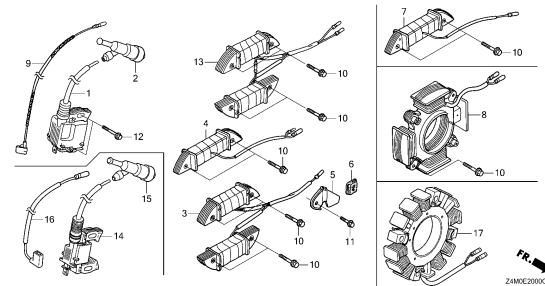
FLYWHEEL



Z4MDE1900C

E-20

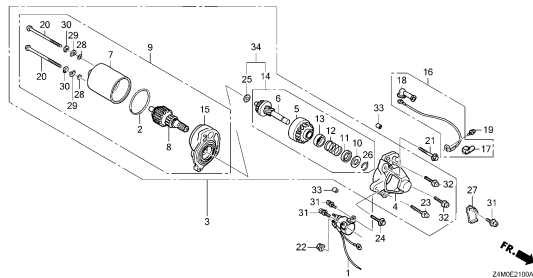
IGNITION COIL



Z4MDE2000C

E-21

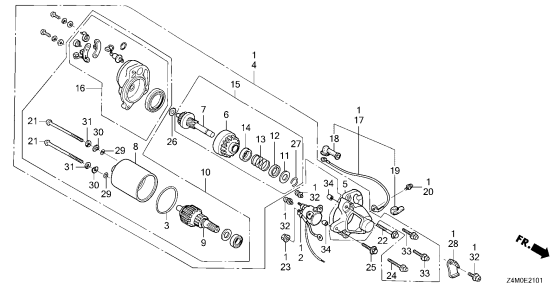
STARTER MOTOR(1)



Z4MDE2100A

E-21-1

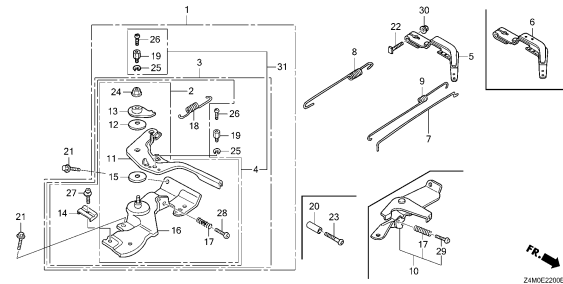
STARTER MOTOR(2)



Z4MDE2101

E-22

CONTROL

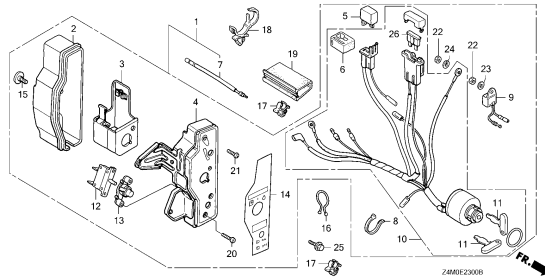


Z4MDE2200B

ENGINE GROUP

E-23

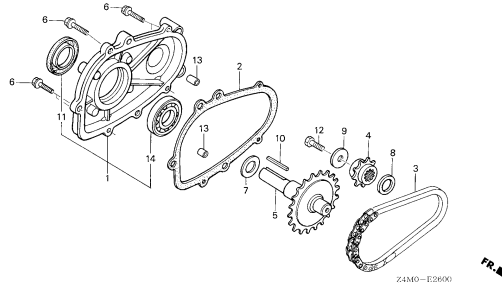
CONTROL BOX



Z4MDE2900B

E-26

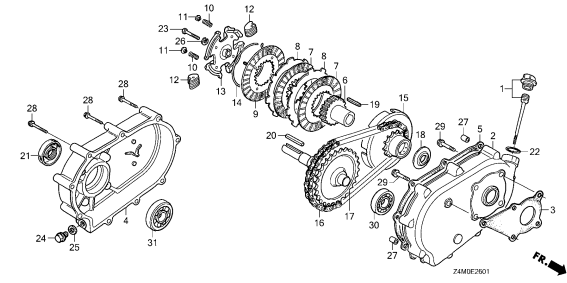
REDUCTION(1)



Z4MDE-E2600

E-26-1

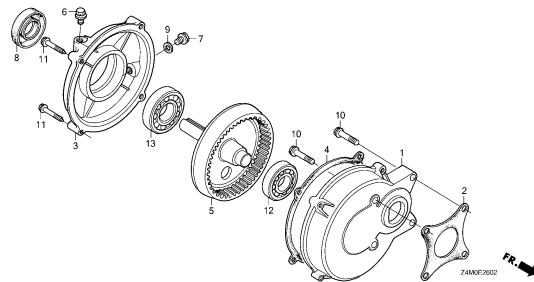
REDUCTION(2)



Z4MDE301

E-26-2

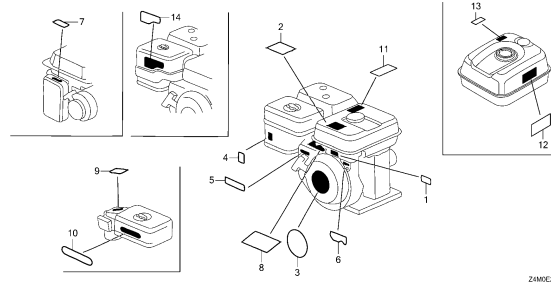
REDUCTION(3)



Z4MDE2002

E-28

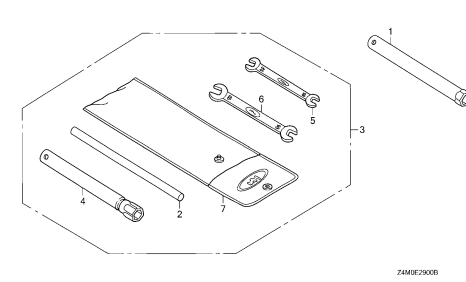
LABEL



Z4MDE280C

E-29

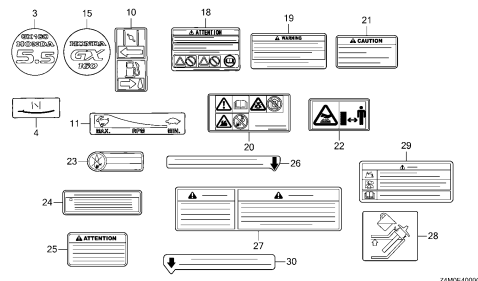
TOOL



Z4MDE3900B

E-40

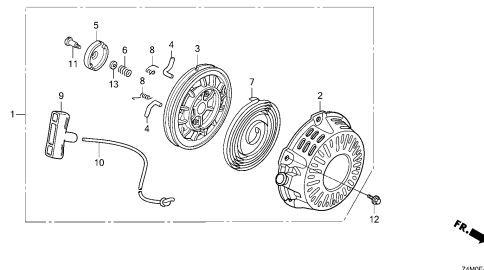
OTHER PARTS(1)



Z4MDE4000C

E-40-1

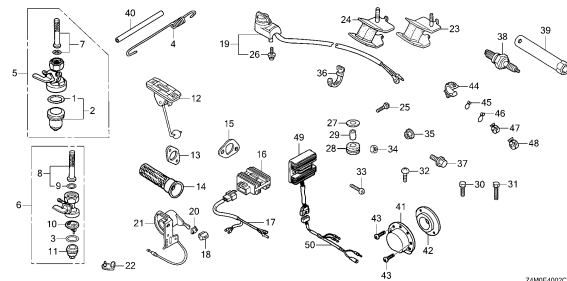
OTHER PARTS(2)



Z4MDE4001A

E-40-2

OTHER PARTS(3)



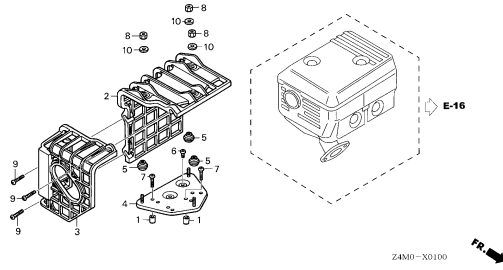
Z4MDE4002C

2

ENGINE GROUP

EOP-1

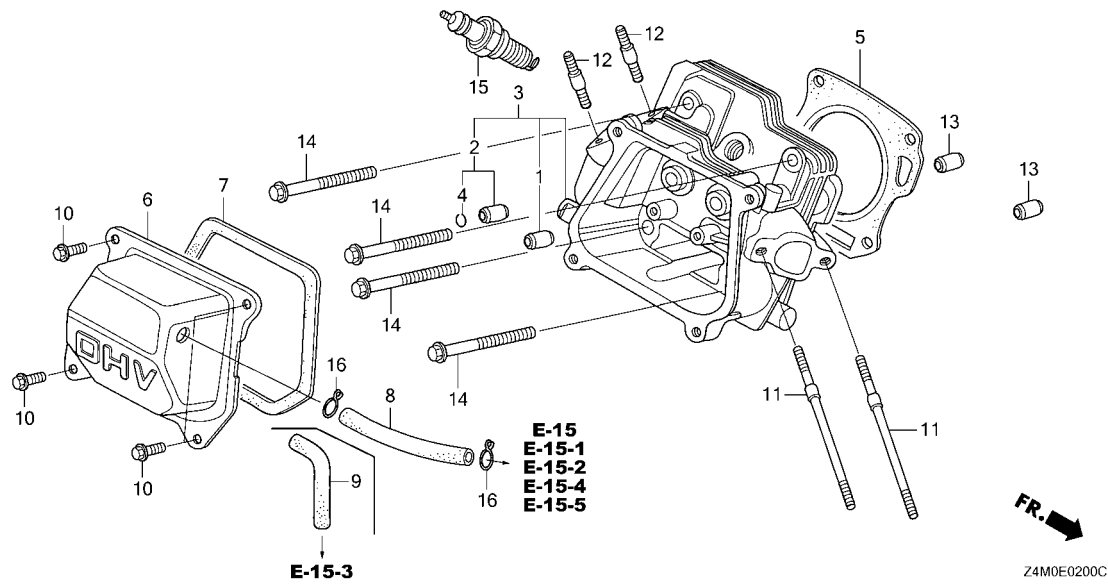
MUFFLER COVER



2

E-2

CYLINDER HEAD



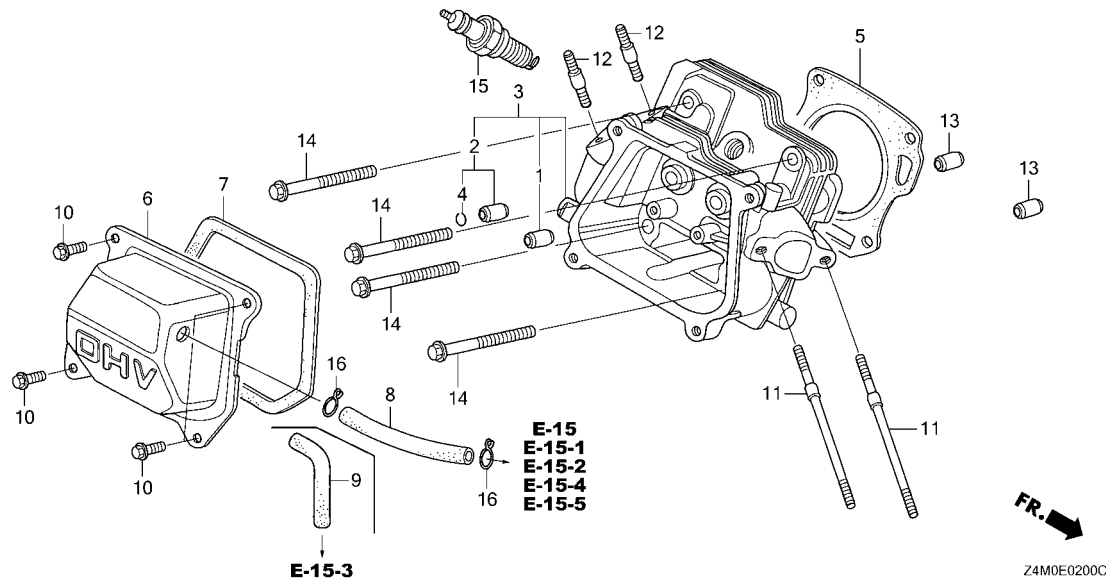
Ref. No.	L.O.N.	(Relative ref. Number) Description	F.R.T.
1	1111E9	GUIDE, INTAKE VALVEINCLUDES: Valve clearance adjustment 1111E9E .Replace intake and exhaust all add	0.8 0.3
2	1111E8	GUIDE, EXHAUST VALVEINCLUDES: Valve clearance adjustment 1111E8E .Replace intake and exhaust all add	0.8 0.3
3	1111N3	HEAD, CYLINDER	0.9
5	1111N4	GASKET, CYLINDER HEAD	0.5
6	1111D5	CYLINDER HEAD COVER AND/OR PACKING	0.1
8	1111K5	TUBE, BREATHER	0.1
15	6141C1	PLUG, SPARKINCLUDES: Spark plug check	0.1

Ref. No.	Part No.	Description	Reqd. QTY						Serial No.	Parts catalogue code
			GX 160 UT1	GX 160 UT2	GX 160 UT2X	GX 160 RT1	GX 160 RT2	GX 160 RT2X		
1	12204-ZE1-306	GUIDE, IN. VALVE(O.S.)	1	-	-	1	-	-	-----	HHQ4, HX4, HXE8, HXU, QHG4, QKA4, QNT4, QXE4, QXE8, QXW, RHQ4, RX4, RXU, SSX2, SWG4, SXE4, TXDU, UXU, VG29, WMB0
2	12205-ZE1-315	GUIDE, EX. VALVE(O.S.)	1	-	-	1	-	-	-----	HHQ4, LHN4, LHN4/A, LHQ4, QBC2, QMP4, QPU, SX9, SX9/A, TXC9, VGE4, VGE5, VHH4, VHH4/A, VPM5, VS19
3	12210-ZH8-415 12210-Z4M-405	HEAD COMP., CYLINDER	1	-	-	1	-	-	-----	HHQ4, HX4, HXE8, HXU, QHG4, QKA4, QNT4, QXE4, QXE8, QXW, RHQ4, RX4, RXU, SSX2, SWG4, SXE4, TXDU, UXU, VG29, WMB0
4	12216-ZE5-300	CLIP, VALVE GUIDE	1	-	-	1	-	-	-----	HHQ4, LHN4, LHN4/A, LHQ4, QBC2, QMP4, QPU, SX9, SX9/A, TXC9, VGE4, VGE5, VHH4, VHH4/A, VPM5, VS19
5	12251-Z0T-801	GASKET, CYLINDER HEAD	1	-	-	1	-	-	-----	HHQ4, LHN4, LHN4/A, LHQ4, QAX2, QBC2, QMP4, QMPC, QPU, QXE8, QXM2, RXU, RXU/A, SMC, SX9, SX9/A, TXC9, VX2, VX2/A
	12251-ZF1-800	1	-	-	-	-	-	-----	1394710 LHQ4, LX2, LX26, LX4, LXU, PXU, QA2, QA26, QBC2, QBT6, QCB2, QCL, QGR9, QH26, QHQ4, QMC6, QMC8, QMD6, QME4, QMP4, QM22, QNT, QPU, QW24, QWA4, QWW2, QWX2, QX2, QX26, QX4, QX7, QX9, QXE2, QXF2, QXS2, QXU, SD16, SG24, SHQ4, SMC7, SMC9, SWX2, SX4, SX7, SX9, SXS4, SXU, TCS2, TW24, TX2, TX26, TX4, TXU, VA2, VG24, VGE4, VGE5, VHA9, VHH4, VMS4, VPM4, VPM5, VPM9, VPR4, VPR9, VS17, VS19, VSD, VSD1, VSD7, VWA2, VWW2, VX2, VX4, VXU1, VXXW2, WKS, WKT2, WKT4, WKT6
			1	-	-	-	-	-	-----	1584276 VPM8, VSD9, VXE9



E-2

CYLINDER HEAD



Ref. No.	Part No.	Description	Reqd. QTY						Serial No.	Parts catalogue code
			GX 160 UT1	GX 160 UT2	GX 160 UT2X	GX 160 RT1	GX 160 RT2	GX 160 RT2X		
(5)	12251-Z0T-801	GASKET, CYLINDER HEAD	1	-	-	-	-	-	1394711 -----	LHQ4, LX2, LX26, LX4, LXU, PXU, QA2, QA26, QBC2, QBT6, QCB2, QCL, QGR9, QH26, QHQ4, QMC6, QMC8, QMD6, QME4, QMP4, QM22, QNT, QPU, QW24, QWA4, QWW2, QWX2, QX2, QX26, QX4, QX7, QX9, QXE2, QXF2, QXS2, QXU, SD16, SG24, SHQ4, SMC7, SMC9, SWX2, SX4, SX7, SX9, SXS4, SXU, TCS2, TW24, TX2, TX26, TX4, TXU, VA2, VG24, VGE4, VGE5, VHA9, VHH4, VMS4, VPM4, VPM5, VPM9, VPR4, VPR9, VS17, VS19, VSD, VSD1, VSD7, VWA2, VWW2, VX2, VX4, VXU1, VXW2, WKS, WKT2, WKT4, WKT6, VPM8, VSD9, VXE9
	12251-ZL0-003	GASKET, CYLINDER HEAD (NIPPON LEAKLESS)	-	1	1	-	1	1	1584277 -----	
6	12310-ZE1-020	COVER COMP., HEAD	1	-	-	1	-	-	-----	HH26, HHQ4, HX2, HX4, HXE8, HXU, LHQ4, LX2, LX26, LX4, LXU, PXU, QA2, QA26, QAX2, QAX4, QBC2, QBM2, QBT6, QCB2, QCL, QGR9, QH26, QHG4, QHQ4, QHQ4, QKA4, QMC6, QMC8, QMD6, QME4, QMP4, QM22, QNT, QPU, QW24, QWA4, QWW2, QWX2, QX2, QX26, QX4, QX7, QX9, QXE2, QXE4, QXE5, QXE8, QXF2, QXP2, QXS2, QXU, QXW, QXWE, RH2, RHG4, RHQ4, RTB2, RX4, RXE2, RXP2, RXU, SD16, SG22, SG24, SHQ4, SHQU, SMC7, SMC9, SSS2, SWG4, SWX2, SX2, SX4, SX7, SX9, SXE4, SXE5, SXS, SXS2, SXS4, SXU, TCS2, TW24, TX2, TX26, TX4, TXDU, TXU, U XU, VA2, VG24, VGE2, VGE4, VGE5, VHA9, VHH4, VMS4, VPM4, VPM5, VPM8, VPM9, VPMN, VPR4, VPR9, VS17, VS19, VSD, VSD1, VSD2, VSD7, VSD9, VWA2, VWW2, VWWN, VX2, VX4, VXE9, VXU1, VXW2, WKS, WKT2, WKT4, WKT6, WMB0
	12310-ZE1-842	COVER COMP., HEAD (BREATHER TUBE)	1	-	-	-	-	-	-----	QNT4, QXC4, QXC9, TXC9, VG29

E-2

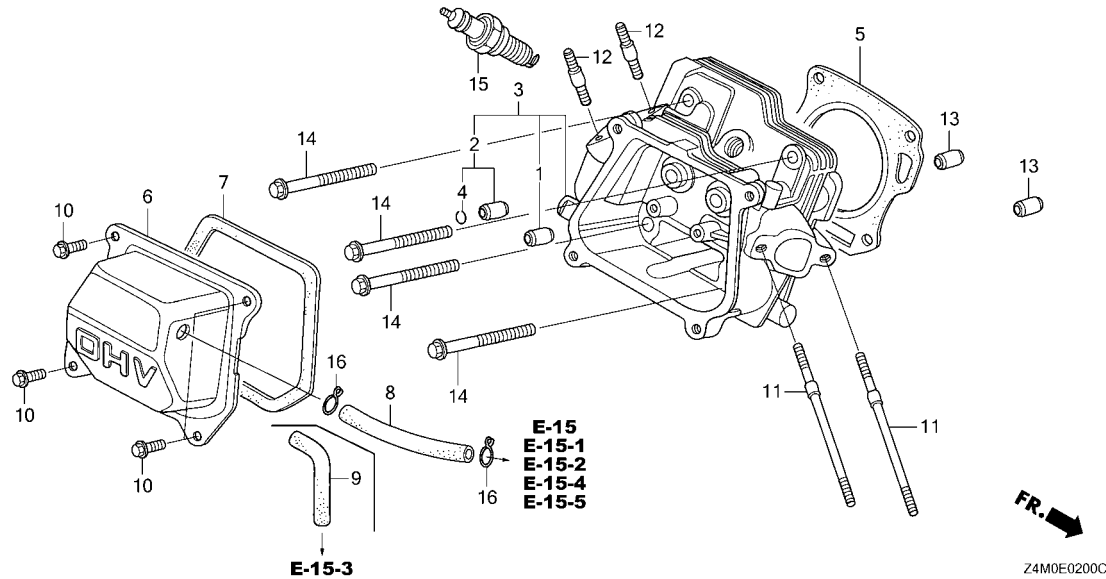
CYLINDER HEAD

Ref. No.	Part No.	Description	Reqd. QTY						Serial No.	Parts catalogue code
			GX 160 UT1	GX 160 UT2	GX 160 UT2X	GX 160 RT1	GX 160 RT2	GX 160 RT2X		
(6)	12310-Z4M-010	COVER COMP., HEAD	-	1	-	-	1	-	EMAN, HH26, HX2, HX4, HXE8, LHN4, LHN4/A, LX2, LX4, LXM2, PXU QA2, QAX4, QBM2, QGR9, QH26, QHG4, QHQ4, QMC6, QMC8, QMD6, QME4 QMX2, QWA4, QWX2, QX2, QX4, QX9, QXE2, QXE5, QXS2, QXU, QXWE RH2, RHG4, RHQ4, RX4, RXE2, RXU, RXU/A, S1CY, SD16, SG24, SHCC SHQ4, SHRY, SMC7, SMC9, SMC7/A, SMC9/A, SMX4, SMXE, SSX2, SWG4, SWG4/A SWX2, SX4, SX9, SX9/A, SXE5, SXS4, SXU, TX2, TX4, TXDU, UXU, VA2 VES6, VG25, VHH4, VHH4/A, VSD9, VWS1, VWWN, VX2, VX2/A, VXE9 VXU1, WKS, WKT2, WMB0, WMT4	
	12310-Z4M-000	-	1	-	-	1	-	HHQ4, LHQ4, QAX2, QBC2, QMP4, QPU, QXE8, QXM2, VGE4, VGE5, VPM5 VS19, VWS	
	12310-Z4M-841	-	1	-	-	-	-	QC9, QCM, QMXC, QXC9, SCM, SMXC, VCG, VG29	
	12310-Z4M-840	-	1	-	-	-	-	TXC9	
	12310-Z4M-010	-	1	-	-	-	4214195	HH26/A, HX2/A, HX4/A, HXE8/A, QAX4/A, QMX2/A, QXE5/A, QXWE/A RH2/A, RHQ4/A, RX4/A, RXE2/A, S1CY/A, SHRY/A, SMC7/A, SMC9/A, SMX4/A SMXE/A, SWX2/A, SX4/A, SXS4/A, SXU/A, TX2/A, TX4/A, TXDU/A VA2/A, VG25/A, VSD9/A, VXE9/A, VXU1/A, WKS/A, WKT2/A	
			-	1	-	-	-	4214591	LX2/A, LX4/A, LXM2/A, PXU/A, QA2/A, QBM2/A, QGR9/A, QH26/A QHQ4/A, QMC6/A, QMC8/A, QMD6/A, QME4/A, QWA4/A, QWX2/A QX2/A, QX4/A, QX9/A, QXE2/A, QXEB, QXGB, QXS2/A, QXU/A SD16/A, SG24/A, SHCC/A, SHQ4/A, SMC7/A, SMC9/A, SMX4/A SMXE/A, SWX2/A, SX4/A, SXS4/A, SXU/A, TX2/A, TX4/A, TXDU/A VA2/A, VG25/A, VSD9/A, VXE9/A, VXU1/A, WKS/A, WKT2/A	
	12310-Z4M-841	-	1	-	-	-	4252768	QC9/A, QCM/A, SCM/A, VCG/A	
	12310-Z4M-020	-	1	-	-	-	4214196	HH26/A, HX2/A, HX4/A, HXE8/A, QAX4/A, QMX2/A, QXE5/A, QXWE/A RH2/A, RHQ4/A, RX4/A, RXE2/A, S1CY/A, SHRY/A, SMC7/A, SMC9/A, SMX4/A SMXE/A, SWX2/A, SX4/A, SXS4/A, SXU/A, TX2/A, TX4/A, TXDU/A VA2/A, VG25/A, VSD9/A, VXE9/A, VXU1/A, WKS/A, WKT2/A	
			-	1	-	-	-	4214592	LX2/A, LX4/A, LXM2/A, PXU/A, QA2/A, QBM2/A, QGR9/A, QH26/A QHQ4/A, QMC6/A, QMC8/A, QMD6/A, QME4/A, QWA4/A, QWX2/A QX2/A, QX4/A, QX9/A, QXE2/A, QXEB, QXGB, QXS2/A, QXU/A SD16/A, SG24/A, SHCC/A, SHQ4/A, SMC7/A, SMC9/A, SMX4/A SMXE/A, SWX2/A, SX4/A, SXS4/A, SXU/A, TX2/A, TX4/A, TXDU/A VA2/A, VG25/A, VSD9/A, VXE9/A, VXU1/A, WKS/A, WKT2/A	
	12310-Z4M-842	-	1	-	-	-	4252769	QC9/A, QCM/A, SCM/A, VCG/A	
	12310-Z4M-020	-	-	1	-	-	1	EMAN, HH26, HX2, HX4, HXE8, LX2, LX4, LXM2, PXU, QA2, QAX4, QBM2 QGR9, QH26, QHG4, QHQ4, QMC6, QMC8, QMD6, QME4, QMX2, QWA4, QX2 QX4, QX9, QXE2, QXE5, QXEB, QXGB, QXU, QXWE, RH2, RHG4, RHQ4 RX4, RXE2, S1CY, SD16, SG24, SHCC, SHQ4, SHRY, SMC7, SMC9, SMX4 SMXE, SSX2, SWX2, SX4, SXE5, SXS4, SXU, TX2, TX4, TXDU, UXU, VA2 VES6, VG25, VSD9, VWS1, VWWN, VXE9, WKS, WKT2, WMB0, WMT4	
	12310-Z4M-842	-	-	1	-	-	-	QC9, QCM, SCM	
	12310-Z4M-010	-	-	-	-	1	-	4214435 EMAN/A, QHG4/A, RHG4/A, VES6/A, VWS1/A, VWWN/A	
	12310-Z4M-020	-	-	-	-	1	-	4214436 EMAN/A, QHG4/A, RHG4/A, VES6/A, VWS1/A, VWWN/A	



E-2

CYLINDER HEAD



Ref. No.	Part No.	Description	Reqd. QTY						Serial No.	Parts catalogue code
			GX 160 UT1	GX 160 UT2	GX 160 UT2X	GX 160 RT1	GX 160 RT2	GX 160 RT2X		
7	12391-ZE1-000	PACKING, HEAD COVER.....	1	-	-	1	1	-	EMAN, HH26, HHQ4, HX2, HX4, HXE8, HXU, LHQ4, LX2, LX26, LX4, LXU PXU, QA2, QA26, QAX2, QAX4, QBC2, QBM2, QBT6, QCB2, QCL, QGR9 QH26, QHG4, QHQ4, QHQU, QKA4, QMC6, QMC8, QMD6, QME4, QMP4 QM22, QNT, QNT4, QPU, QW24, QWA4, QWW2, QWX2, QX2, QX26, QX4 QX7, QX9, QXC4, QXC9, QXE2, QXE4, QXE5, QXE8, QXF2, QXP2, QXS2 QXU, QXW, QXWE, RH2, RHG4, RHQ4, RTB2, RX4, RXE2, RXP2, RXU SD16, SG22, SG24, SHQ4, SHQU, SMC7, SMC9, SSX2, SWG4, SWG4/A SWX2, SX2, SX4, SX7, SX9, SXE4, SXE5, SXS, SXS2, SXS4, SXU, TCS2 TW24, TX2, TX26, TX4, TXC9, TXDU, TXU, UXU, VA2, VES6, VG24 VG29, VGE2, VGE4, VGE5, VHA9, VHH4, VHH4/A, VMS4, VPM4, VPM5 VPM8, VPM9, VPMN, VPR4, VPR9, VS17, VS19, VSD, VSD1, VSD2, VSD7 VSD9, VWA2, VWS, VWS1, VWW2, VWWN, VX2, VX4, VXE9, VXU1, VXW2 WKS, WKT2, WKT4, WKT6, WMB0	

E-2

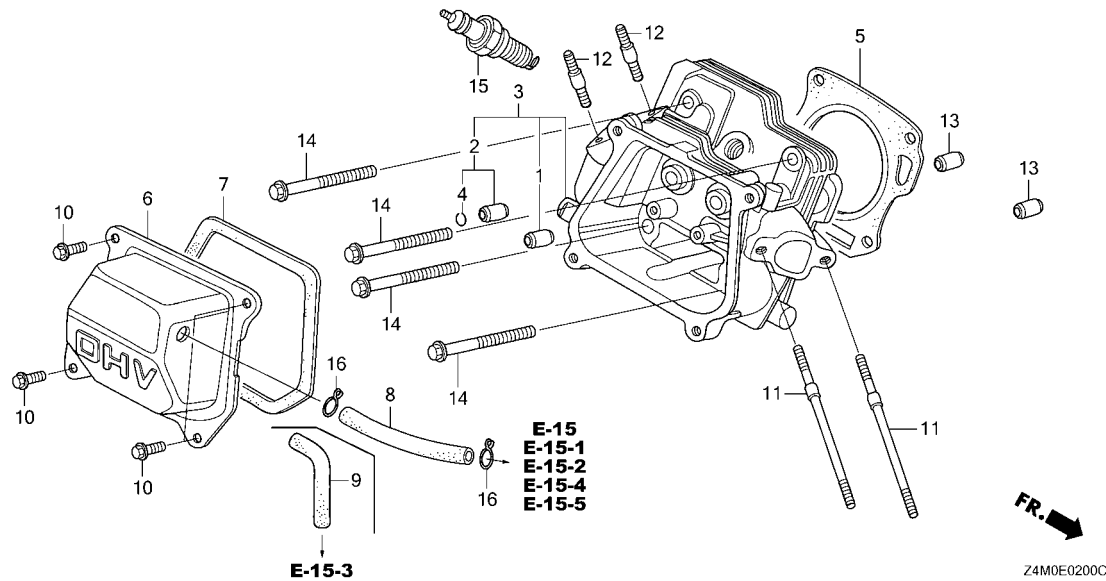
CYLINDER HEAD

Ref. No.	Part No.	Description	Reqd. QTY						Serial No.	Parts catalogue code	
			GX 160 UT1	GX 160 UT2	GX 160 UT2X	GX 160 RT1	GX 160 RT2	GX 160 RT2X			
(7)	12391-ZE1-000	PACKING, HEAD COVER.....	-	1	-	-	-	-	-----	HH26, HHQ4, HX2, HX4, HXE8, LHN4, LHN4/A, LHQ4, LX2, LX4, LXM2 PXU, QA2, QAX2, QAX4, QBC2, QBM2, QC9, QCM, QGR9, QH26, QHQ4 QMC6, QMC8, QMD6, QME4, QMP4, QMX2, QMXC, QPU, QWA4, QWX2, QX2 QX4, QX9, QXE2, QXE5, QXE8, QXM2, QXS2, QXU, QXWE, RH2, RHQ4 RX4, RXE2, RXU, RXU/A, S1CY, SCM, SD16, SG24, SHCC, SHQ4, SHRY SMC7, SMC9, SMW2, SMX4, SMXC, SMXE, SSX2, SWX2, SX4, SX9, SX9/A SXE5, SXS4, SXU, TX2, TX4, TXC9, TXDU, UXU, VA2, VCG, VG25, VSD9 VX2, VX2/A, VXE9, VXU1, WKS, WKT2, WMB0, WMT4	
			-	1	-	-	-	-	-----	4214195	HH26/A, HX2/A, HX4/A, HXE8/A, QAX4/A, QMX2/A, QXC9, QXE5/A QXWE/A, RH2/A, RHQ4/A, RX4/A, RXE2/A, S1CY/A, SHRY/A, SMW2/A SXS2/A, SXE5/A, UXU/A, VG29, WMB0/A, WMT4/A
			-	1	-	-	-	-	-----	4214591	LX2/A, LX4/A, LXM2/A, PXU/A, QA2/A, QBM2/A, QC9/A, QCM/A QGR9/A, QH26/A, QHQ4/A, QMC6/A, QMC8/A, QMD6/A, QME4/A QWA4/A, QWX2/A, QX2/A, QX4/A, QX9/A, QXE2/A, QXEB, QXGB QXS2/A, QXU/A, SCM/A, SD16/A, SG24/A, SHCC/A, SHQ4/A, SMC7/A SMC9/A, SMX4/A, SMXE/A, SWX2/A, SX4/A, SXS4/A, SXU/A, TX2/A TX4/A, TXDU/A, VA2/A, VCG/A, VG25/A, VSD9/A, VXE9/A, VXU1/A WKS/A, WKT2/A
	12391-Z4M-000	-	1	-	-	-	-	-----	4214196	HH26/A, HX2/A, HX4/A, HXE8/A, QAX4/A, QMX2/A, QXC9, QXE5/A QXWE/A, RH2/A, RHQ4/A, RX4/A, RXE2/A, S1CY/A, SHRY/A, SMW2/A SXS2/A, SXE5/A, UXU/A, VG29, WMB0/A, WMT4/A
			-	1	-	-	-	-	-----	4214592	LX2/A, LX4/A, LXM2/A, PXU/A, QA2/A, QBM2/A, QC9/A, QCM/A QGR9/A, QH26/A, QHQ4/A, QMC6/A, QMC8/A, QMD6/A, QME4/A QWA4/A, QWX2/A, QX2/A, QX4/A, QX9/A, QXE2/A, QXEB, QXGB QXS2/A, QXU/A, SCM/A, SD16/A, SG24/A, SHCC/A, SHQ4/A, SMC7/A SMC9/A, SMX4/A, SMXE/A, SWX2/A, SX4/A, SXS4/A, SXU/A, TX2/A TX4/A, TXDU/A, VA2/A, VCG/A, VG25/A, VSD9/A, VXE9/A, VXU1/A WKS/A, WKT2/A
	12391-ZE1-000	-	-	1	-	-	1	-----	4215225	EMAN/A, QHG4/A, RHG4/A, VES6/A, VWS1/A, VWWN/A
	12391-Z4M-000	-	-	-	-	1	-	-----	4215226	EMAN/A, QHG4/A, RHG4/A, VES6/A, VWS1/A, VWWN/A
8	15721-ZH8-000	TUBE, BREATHER.....	1	1	1	1	1	1	-----	-----	HH26, HH26/A, HHQ4, HX2, HX2/A, HX4, HX4/A, HXE8, HXE8/A, HXU LHN4, LHN4/A, LHQ4, LX2, LX2/A, LX26, LX4, LX4/A, LXM2, LXM2/A LXU, PXU, PXU/A, QA2, QA2/A, QA26, QAX2, QAX4, QAX4/A, QBC2 QBM2, QBM2/A, QBT6, QCB2, QCL, QGR9, QGR9/A, QH26, QH26/A QHG4, QHG4/A, QHQ4, QHQ4/A, QHQU, QKA4, QMC6, QMC6/A, QMC8 QMC8/A, QMD6, QMD6/A, QME4, QME4/A, QMP4, QMX2, QMX2/A, QMZZ QNT, QPU, QW24, QWA4, QWA4/A, QWW2, QWX2, QWX2/A, QX2, QX2/A QX26, QX4, QX4/A, QX7, QX9, QX9/A, QXE2, QXE2/A, QXE4, QXE5 QXE5/A, QXE8, QXEB, QXF2, QXGB, QXM2, QXP2, QXS2, QXS2/A, QXU QXU/A, QXW, QXWE, QXWE/A, RH2, RH2/A, RHG4, RHG4/A, RHQ4 RHQ4/A, RTB2, RX4, RX4/A, RXE2, RXE2/A, RXP2, RXU, RXU/A, S1CY S1CY/A, SD16, SD16/A, SG22, SG24, SG24/A, SHCC, SHCC/A, SHQ4 SHQ4/A, SHQU, SHRY, SHRY/A, SMC7, SMC7/A, SMC9, SMC9/A, SMW2 SMW2/A, SMX4, SMX4/A, SMXE, SMXE/A, SSX2, SSX2/A, SWG4 SWG4/A, SWX2, SWX2/A, SX2, SX4, SX4/A, SX7, SX9, SX9/A, SXE4 SXE5, SXE5/A, SXS, SXS2, SXS4, SXS4/A, SXU, SXU/A, TCS2, TW24 TX2, TX2/A, TX26, TX4, TX4/A, TXDU, TXDU/A, TXU, UXU, UXU/A VA2, VA2/A, VG24, VG25, VG25/A, VGE2, VGE4, VGE5, VHA9, VHH4 VHH4/A, VMS4, VSD, VSD2, VSD7, VSD9, VSD9/A, VWA2, VX2, VX2/A VX4, VXE9, VXE9/A, VXU1, VXU1/A, VXW2, WKS, WKS/A, WKT2 WKT2/A, WKT4, WKT6, WMB0, WMB0/A, WMT4, WMT4/A
	15721-ZE1-840	1	1	1	-	-	-	-----	-----	QC9, QC9/A, QCM, QCM/A, QMXC, QNT4, QXC4, QXC9, SCM, SCM/A SMXC, TXC9, VCG, VCG/A, VG29
9	15721-883-030	TUBE, BREATHER.....	1	-	-	-	1	1	-----	-----	EMAN, EMAN/A, VES6, VES6/A, VPM4, VPM5, VPM8, VPM9, VPMN, VPR4 VPR9, VS17, VS19, VSD1, VWS, VWS1, VWS1/A, VWW2, VWWN, VWWN/A
10	90013-883-000	BOLT, FLANGE, 6X12(CT200)....	4	4	4	4	4	4	-----	-----	



E-2

CYLINDER HEAD



Ref. No.	Part No.	Description	Reqd. QTY						Serial No.	Parts catalogue code
			GX 160 UT1	GX 160 UT2	GX 160 UT2X	GX 160 RT1	GX 160 RT2	GX 160 RT2X		
11	90043-ZE1-020	BOLT, STUD, 6X112	2	2	2	2	2	2	-----	HH26, HH26/A, HHQ4, HX2, HX2/A, HX4, HX4/A, HXE8, HXE8/A, HXU LHN4, LHN4/A, LHQ4, LX2, LX2/A, LX26, LX4, LX4/A, LXM2, LXM2/A LXU, PXU, PXU/A, QA2, QA2/A, QA26, QAX2, QAX4, QAX4/A, QBC2 QBM2, QBM2/A, QBT6, QC9, QC9/A, QCB2, QCL, QCM, QCM/A, QGR9 QGR9/A, QH26, QH26/A, QHG4, QHG4/A, QHQ4, QHQ4/A, QHQU, QKA4 QMC6, QMC6/A, QMC8, QMC8/A, QMD6, QMD6/A, QME4, QME4/A, QMP4 QMX2, QMX2/A, QMXC, QM22, QNT, QNT4, QPU, QW24, QWA4, QWA4/A QWW2, QWX2, QWX2/A, QX2, QX2/A, QX26, QX4, QX4/A, QX7, QX9 QX9/A, QXC4, QXC9, QXE2, QXE2/A, QXE4, QXE5, QXE5/A, QXE8 QXEB, QXF2, QXGB, QXM2, QXP2, QXS2, QXS2/A, QXU, QXU/A, QXW QXWE, QXWE/A, RH2, RH2/A, RHG4, RHG4/A, RHQ4, RHQ4/A, RTB2 RX4, RX4/A, RXE2, RXE2/A, RXP2, RXU, RXU/A, S1CY, S1CY/A, SCM SCM/A, SD16, SD16/A, SG22, SG24, SG24/A, SHCC, SHCC/A, SHQ4 SHQ4/A, SHQU, SHRY, SHRY/A, SMC7, SMC7/A, SMC9, SMC9/A, SMM2 SMM2/A, SMX4, SMX4/A, SMXC, SMXE, SMXE/A, SSX2, SSX2/A, SWG4 SWG4/A, SWX2, SWX2/A, SX2, SX4, SX4/A, SX7, SX9, SX9/A, SXE4 SXE5, SXE5/A, SXS, SXS2, SXS4, SXS4/A, SXU, SXU/A, TCS2, TW24 TX2, TX2/A, TX26, TX4, TX4/A, TXC9, TXDU, TXDU/A, TXU, UXU UXU/A, VA2, VA2/A, VCG, VCG/A, VG24, VG25, VG25/A, VG29, VGE2 VGE4, VGE5, VHA9, VHH4, VHH4/A, VMS4, VSD, VSD2, VSD7, VSD9 VSD9/A, VWA2, VX2, VX2/A, VX4, VXE9, VXE9/A, VXU1, VXU1/A VXW2, WKS, WKS/A, WKT2, WKT2/A, WKT4, WKT6, WMB0, WMB0/A, WMT4 WMT4/A
	90043-ZB2-003	BOLT, STUD, 6X94	2	-	-	-	2	2	-----	EMAN, EMAN/A, VES6, VES6/A, VPM4, VPM5, VPM8, VPM9, VPMN, VPR4 VPR9, VS17, VS19, VSD1, VWS, VWS1, VWS1/A, VWW2, VWWN, VWWN/A

E-2

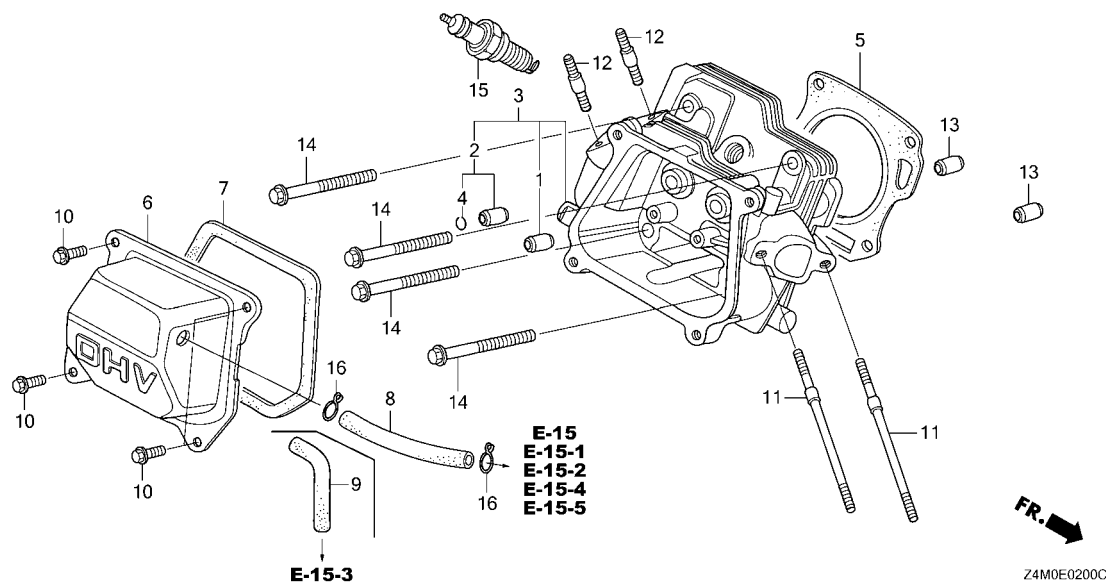
CYLINDER HEAD

Ref. No.	Part No.	Description	Reqd. QTY						Serial No.	Parts catalogue code	
			GX 160 UT1	GX 160 UT2	GX 160 UT2X	GX 160 RT1	GX 160 RT2	GX 160 RT2X			
12	90047-ZE1-000	BOLT, STUD, 8X32.....	2	2	2	2	-	-	-----	HH26, HH26/A, HHQ4, HX2, HX2/A, HX4, HX4/A, HXE8, HXE8/A, HXU LHN4, LHN4/A, LHQ4, LX2, LX2/A, LX26, LX4, LX4/A, LXM2, LXM2/A LXU, PXU, PXU/A, QA2, QA2/A, QA26, QAX2, QAX4, QAX4/A, QBC2 QBM2, QBM2/A, QBT6, QC9, QC9/A, QCB2, QCL, QCM, QCM/A, QGR9 QGR9/A, QH26, QH26/A, QHG4, QHQ4, QHQ4/A, QHQU, QKA4, QMC6 QMC6/A, QMC8, QMC8/A, QMD6, QMD6/A, QME4, QME4/A, QMP4, QMX2 QMX2/A, QMxC, QMZ2, QNT, QNT4, QPU, QW24, QWA4, QWA4/A, QWW2 QWX2, QWX2/A, QX2, QX2/A, QX26, QX4, QX4/A, QX7, QX9, QX9/A QXC4, QXC9, QXE2, QXE2/A, QXE4, QXE5, QXE5/A, QXE8, QXEB, QXF2 QXGB, QXM2, QXP2, QXS2, QXS2/A, QXU, QXU/A, QXW, QXWE, QXWE/A RH2, RH2/A, RHG4, RHQ4, RHQ4/A, RTB2, RX4, RX4/A, RXE2, RXE2/A RXP2, RXU, RXU/A, S1CY, S1CY/A, SCM, SCM/A, SD16, SD16/A, SG22 SG24, SG24/A, SHCC, SHCC/A, SHQ4, SHQ4/A, SHQU, SHRY, SHRY/A SMC7, SMC7/A, SMC9, SMC9/A, SMM2, SMM2/A, SMX4, SMX4/A, SMXC SMXE, SMXE/A, SSS2, SSS2/A, SWG4, SWX2, SWX2/A, SX2, SX4 SX4/A, SX7, SX9, SX9/A, SXE4, SXE5, SXE5/A, SXS, SXS2, SXS4 SXS4/A, SXU, SXU/A, TCS2, TW24, TX2, TX2/A, TX26, TX4, TX4/A TXC9, TXDU, TXDU/A, TXU, UXU, UXU/A, VA2, VA2/A, VCG, VCG/A VG24, VG25, VG25/A, VG29, VGE2, VGE4, VGE5, VHA9, VHH4, VMS4 VPM4, VPM5, VPM8, VPM9, VPMN, VPR4, VPR9, VS17, VS19, VSD, VSD1 VSD2, VSD7, VSD9, VSD9/A, VWA2, VX2, VX2/A, VX4, VXE9, VXE9/A VXU1, VXU1/A, VXW2, WKS, WKS/A, WKT2, WKT2/A, WKT4, WKT6, WMB0 WMB0/A, WMT4, WMT4/A	
	92900-08025-0E	BOLT, STUD, 8X25.....	2	-	-	-	-	-	-----	1888453 VWW2, VWWN	
	90047-ZE1-000	BOLT, STUD, 8X32.....	2	-	-	-	-	-	1888454	-----	VWW2, VWWN
			-	-	-	-	2	2			
13	94301-10160	DOWEL PIN, 10X16.....	2	2	2	2	2	2			
14	95701-08060-00	BOLT, FLANGE, 8X60.....	4	-	-	4	-	4	-----	EMAN, HH26, HHQ4, HX2, HX4, HXE8, HXU, QAX2, QAX4, QBM2, QHG4 QHQU, QKA4, QNT4, QXC4, QXC9, QXE4, QXE5, QXE8, QXP2, QXW, QXWE RH2, RHG4, RHQ4, RTB2, RX4, RXE2, RXP2, RXU, SG22, SHQU, SSS2 SWG4, SX2, SXE4, SXE5, SXS, SXS2, TXC9, TXDU, UXU, VES6, VG29 VGE2, VPMN, VSD2, VWS1, VWWN, WMB0	
	95723-08060-00	4	-	-	-	-	-	-----	1891379 LHQ4, LX2, LX26, LX4, LXU, PXU, QA2, QA26, QBC2, QBT6, QCB2, QCL QGR9, QH26, QHQ4, QMC6, QMC8, QMD6, QME4, QMP4, QMZ2, QNT, QPU QW24, QWA4, QWW2, QWX2, QX2, QX26, QX4, QX7, QX9, QXE2, QXF2 QXS2, QXU, SD16, SG24, SHQ4, SMC7, SMC9, SWX2, SX4, SX7, SX9 SXS4, SXU, TCS2, TW24, TX2, TX26, TX4, TXU, VA2, VG24, VGE4 VGE5, VHA9, VHH4, VMS4, VPM4, VPM5, VPM8, VPM9, VPR4, VPR9 VS17, VS19, VSD, VSD1, VSD7, VSD9, VWA2, VWW2, VX2, VX4, VXE9 VXU1, VXW2, WKS, WKT2, WKT4, WKT6	
	95701-08060-00	4	-	-	-	-	-	1891380	-----	LHQ4, LX2, LX26, LX4, LXU, PXU, QA2, QA26, QBC2, QBT6, QCB2, QCL QGR9, QH26, QHQ4, QMC6, QMC8, QMD6, QME4, QMP4, QMZ2, QNT, QPU QW24, QWA4, QWW2, QWX2, QX2, QX26, QX4, QX7, QX9, QXE2, QXF2 QXS2, QXU, SD16, SG24, SHQ4, SMC7, SMC9, SWX2, SX4, SX7, SX9 SXS4, SXU, TCS2, TW24, TX2, TX26, TX4, TXU, VA2, VG24, VGE4 VGE5, VHA9, VHH4, VMS4, VPM4, VPM5, VPM8, VPM9, VPR4, VPR9 VS17, VS19, VSD, VSD1, VSD7, VSD9, VWA2, VWW2, VX2, VX4, VXE9 VXU1, VXW2, WKS, WKT2, WKT4, WKT6
			-	4	4	-	4	-			



E-2

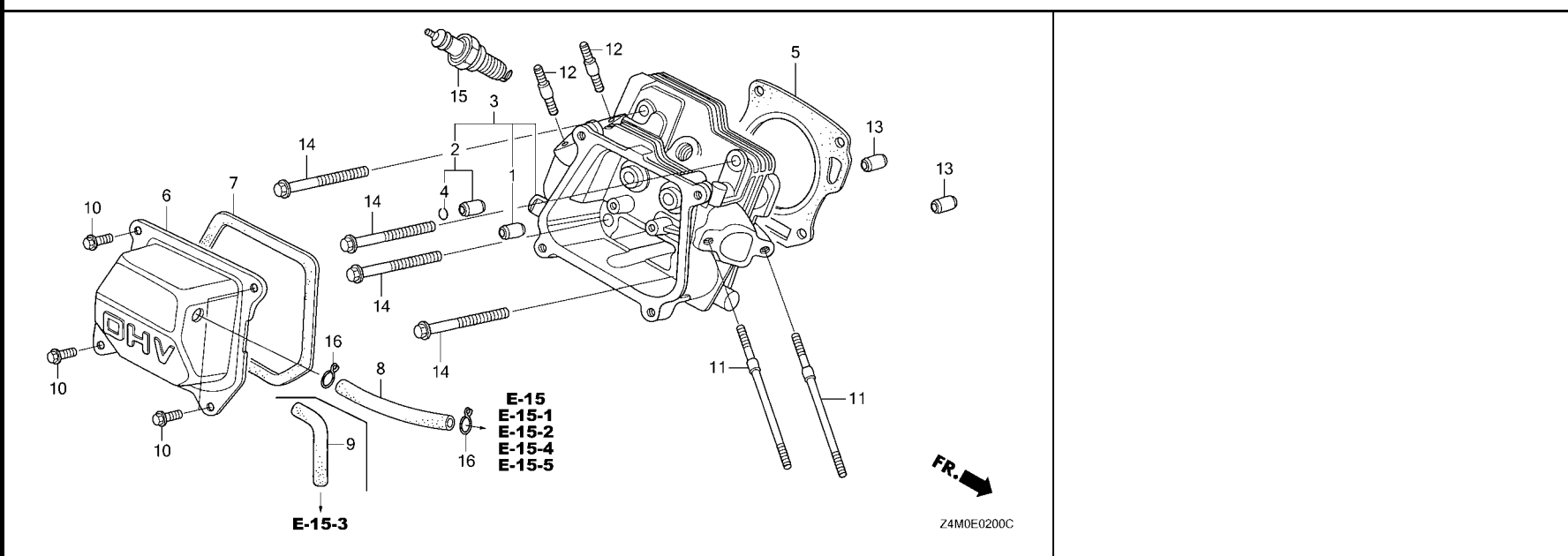
CYLINDER HEAD



Ref. No.	Part No.	Description	Reqd. QTY						Serial No.	Parts catalogue code
			GX 160 UT1	GX 160 UT2	GX 160 UT2X	GX 160 RT1	GX 160 RT2	GX 160 RT2X		
15	98079-56855	PLUG, SPARK(W20EPR-U)(DENSO)·	1	1	1	1	1	1	EMAN, EMAN/A, HH26, HH26/A, HHQ4, HX2, HX2/A, HX4, HX4/A, HXE8 HXE8/A, HXU, LHN4, LHN4/A, LXM2, LXM2/A, QAX2, QAX4, QAX4/A QC9, QC9/A, QCM, QCM/A, QKA4, QMX2, QMX2/A, QMXC, QNT4, QXC4 QXC9, QXE4, QXE5, QXE5/A, QXE8, QXEB, QXGB, QXM2, QXW, QXWE QXWE/A, RH2, RH2/A, RHG4, RHG4/A, RHQ4, RHQ4/A, RTB2, RX4 RX4/A, RXE2, RXE2/A, RXP2, RXU, RXU/A, S1CY, S1CY/A, SCM SCM/A, SHCC, SHCC/A, SHRY, SHRY/A, SMW2, SMW2/A, SMX4, SMX4/A SMXC, SMXE, SMXE/A, SSS2, SSS2/A, SWG4, SWG4/A, SXE4, SXE5 SXE5/A, TXC9, UXU, UXU/A, VCG, VCG/A, VES6, VES6/A, VG29, VWS WMT4, WMT4/A	
	98079-55855	PLUG, SPARK(W16EPR-U)(DENSO)·	(1)	(1)	(1)	(1)	(1)	(1)	HX2, HX2/A, HX4, HX4/A, HXE8, HXE8/A, HXU, LHN4, LHN4/A, LXM2 LXM2/A, QAX2, QAX4, QAX4/A, QC9, QC9/A, QCM, QCM/A, QMX2 QMX2/A, QMXC, QNT4, QXM2, RH2, RH2/A, RHG4, RHG4/A, RHQ4, RHQ4/A, RTB2, RX4, RX4/A, RXU, RXU/A, SCM, SCM/A, SMXC, UXU UXU/A, WMB0, WMB0/A, WMT4, WMT4/A	
	98079-56876	PLUG, SPARK(BPR6ES)(NGK)·	1	-	-	1	1	1	EMAN, EMAN/A, HHQ4, HX4, HXE8, HXU, LHQ4, LX2, LX26, LX4, LXU PXU, QA2, QA26, QAX2, QAX4, QBC2, QBM2, QBT6, QCB2, QCL, QGR9 QH26, QHG4, QHG4/A, QHQ4, QHQ4, QKA4, QMC6, QMC8, QMD6, QME4 QMP4, QM22, QNT, QNT4, QPU, QW24, QWA4, QWW2, QWX2, QX2, QX26 QX4, QX7, QX9, QXE2, QXE4, QXE5, QXE8, QXF2, QXP2, QXS2, QXU QXW, QXWE, RHG4, RHG4/A, RHQ4, RX4, RXU, SD16, SG22, SG24, SHQ4 SHQU, SMC7, SMC9, SWG4, SWG4/A, SWX2, SX2, SX4, SX7, SX9, SXE4 SXE5, SXS, SXS2, SXS4, SXU, TCS2, TW24, TX2, TX26, TX4, TXDU TXU, UXU, VA2, VES6, VES6/A, VG24, VG29, VGE2, VGE4, VGE5, VHA9 VHH4, VHH4/A, VMS4, VPM4, VPM5, VPM8, VPM9, VPMN, VPR4, VPR9 VS17, VS19, VSD, VSD1, VSD2, VSD7, VSD9, VWA2, VWS, VWS1 VWS1/A, VWW2, VWWN, VWWN/A, VX2, VX4, VXE9, VXU1, VXW2, WKS WKT2, WKT4, WKT6, WMB0	

E-2

CYLINDER HEAD

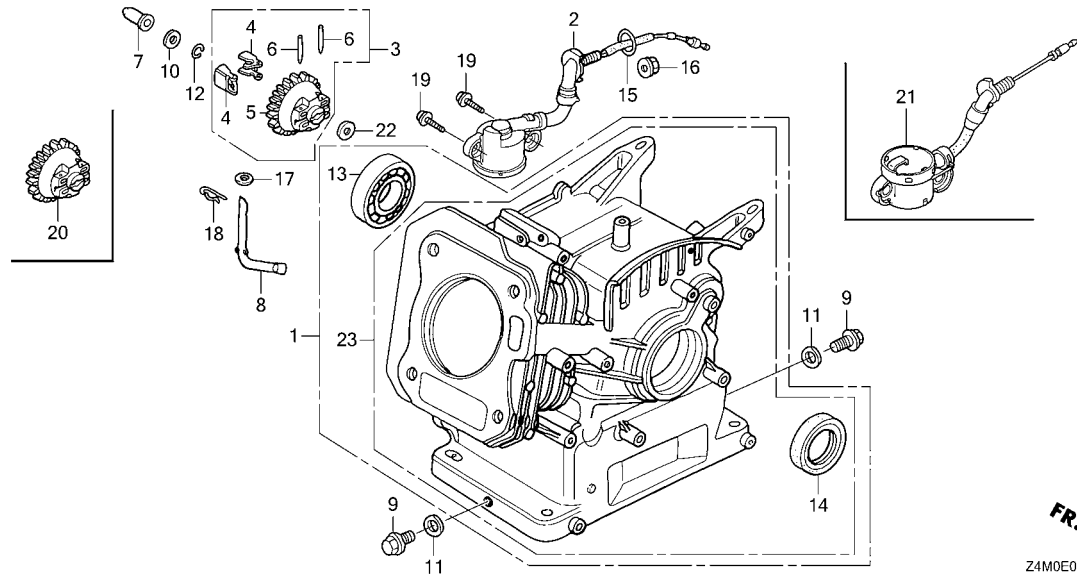


Ref. No.	Part No.	Description	Reqd. QTY						Serial No.	Parts catalogue code
			GX 160 UT1	GX 160 UT2	GX 160 UT2X	GX 160 RT1	GX 160 RT2	GX 160 RT2X		
15)	98079-55846	PLUG, SPARK(BPR5ES)(NGK).....	(1)	-	-	(1)	-	-	-----	HX2, HX4, HXE8, HXU, QAX2, QAX4, QNT4, RH2, RHG4, RHQ4, RTB2, RX4, RXU, UXU, WMB0
	98079-55876	(1)	-	-	-	(1)	(1)	-----	LHQ4, LX2, LX26, LX4, LXU, QA2, QA26, QBC2, QBM2, QBT6, QCB2, QCL, QGR9, QH26, QHG4, QHG4/A, QHQ4, QHQU, QMC6, QME4, QMP4, QMZ2, QNT, QPU, QW24, QWA4, QWW2, QWX2, QX2, QX26, QX4, QX7, QX9, QXF2, QXU, RHG4, RHG4/A, SG22, SG24, SHQ4, SHQU, SWX2, TCS2, TW24, TX2, TX26, TX4, TXDU, TXU, VGE2, VGE4, VGE5, VHA9, VHH4, VHH4/A, VMS4, VPM4, VPM5, VPM8, VPM9, VPMN, VPR4, VPR9, VS17, VS19, VSD, VSD1, VSD2, VSD7, VSD9, VWA2, VWS1, VWS1/A, VWW2, VWWN, VWWN/A, VX2, VX4, VXU1, VXX2, WKT2, WKT4, WKT6
	98079-56846	PLUG, SPARK(BPR6ES)(NGK).....	1	-	-	-	-	-	-----	HH26, HX2, QXC4, QXC9, RH2, RTB2, RXE2, RXP2, SSX2, TXC9
	98079-56876	-	1	1	-	-	-	-----	
	98079-55876	PLUG, SPARK(BPR5ES)(NGK).....	-	(1)	(1)	-	-	-	-----	HX2, HX2/A, HX4, HX4/A, HXE8, HXE8/A, LHN4, LHN4/A, LHQ4, LX2, LX2/A, LX4, LX4/A, LXM2, LXM2/A, QA2, QA2/A, QAX2, QAX4, QAX4/A, QBC2, QBM2, QBM2/A, QC9, QC9/A, QCM, QCM/A, QGR9, QGR9/A, QH26, QH26/A, QHQ4, QHQ4/A, QMC6, QMC6/A, QME4, QME4/A, QMP4, QMX2, QMX2/A, QMXC, QPU, QWA4, QWA4/A, QWX2, QWX2/A, QX2, QX2/A, QX4, QX4/A, QX9, QX9/A, QXEB, QXGB, QXM2, QXU, QXU/A, RH2, RH2/A, RHQ4, RHQ4/A, RX4, RX4/A, RXU, RXU/A, SCM, SCM/A, SG24, SG24/A, SHCC, SHCC/A, SHQ4, SHQ4/A, SMXC, SWX2, SWX2/A, TX2, TX2/A, TX4, TX4/A, TXDU, TXDU/A, UXU, UXU/A, VG25, VG25/A, VSD9, VSD9/A, VX2, VX2/A, VXU1, VXU1/A, WKT2, WKT2/A, WMB0, WMB0/A, WMT4, WMT4/A
16	95002-80000	CLIP, TUBE(C12).....	2	2	2	-	-	-	-----	QC9, QC9/A, QCM, QCM/A, QMXC, QNT4, QXC4, QXC9, SCM, SCM/A, SMXC, TXC9, VCG, VCG/A, VG29



E-3

CYLINDER BARREL



Ref. No.	L.O.N.	(Relative ref. Number) Description	F.R.T.
1	1101A0	BARREL, CYLINDER	2.0
2	6151E8	(15,21) SWITCH, OIL LEVEL	0.5
3	1161C4	(20) GOVERNOR ASSEMBLY	1.0
5	1161A7	(4) HOLDER, GOVERNOR WEIGHT	1.0
7	1161B6	SLIDER, GOVERNOR	0.4
8	1161B4	SHAFT, GOVERNOR ARM	0.9
13	1101A4	BEARING, CRANKSHAFT :FRONT ..	1.9
14	1101E4	OIL SEAL, CRANKSHAFT :FRONT ..	1.8
23	1101U5	BARREL, CYLINDER(A)	2.1

2

Ref. No.	Part No.	Description	Reqd. QTY						Serial No.	Parts catalogue code
			GX 160 UT1	GX 160 UT2	GX 160 UT2X	GX 160 RT1	GX 160 RT2	GX 160 RT2X		
1	12000-Z0T-405	BARREL ASSY., CYLINDER	1	-	-	1	-	-	HH26, HHQ4, LHQ4, QA2, QA26, QBC2, QBM2, QCB2, QH26, QHG4, QHQ4, QHQU, QMC6, QME4, QMP4, QMZ2, QPU, RH2, RHG4, RHQ4, RTB2, SD16, SHQ4, SHQU, WMB0	
	12000-Z0T-406	BARREL ASSY., CYLINDER (OIL ALERT)	1	-	-	1	-	-	HX2, HX4, HXE8, HXU, LX2, LX26, LX4, LXU, PXU, QAX2, QAX4, QBT6, QCL, QGR9, QKA4, QMC8, QMD6, QNT, QNT4, QW24, QWA4, QWW2, QWX2, QX2, QX26, QX4, QX7, QX9, QXC4, QXC9, QXE2, QXE4, QXE5, QXE8, QXF2, QXP2, QXS2, QXU, QXW, QXWE, RX4, RXE2, RXP2, RXU, SG22, SG24, SMC7, SMC9, SSX2, SWG4, SWX2, SX2, SX4, SX7, SX9, SXE4, SXE5, SXS, SXS2, SXS4, SXU, TCS2, TW24, TX2, TX26, TX4, TXC9, TXDU, TXU, UXU, VA2, VG24, VG29, VGE2, VGE4, VGE5, VHA9, VHH4, VMS4, VPM4, VPM5, VPM8, VPM9, VPMN, VPR4, VPR9, VS17, VS19, VSD, VSD1, VSD2, VSD7, VSD9, VWA2, VWW2, VWWN, VX2, VX4, VXE9, VXU1, VXW2, WKS, WKT2, WKT4, WKT6	
	12000-Z4M-416	-	1	-	-	1	-	EMAN, HX2, HX4, HXE8, LX2, LX4, LXM2, PXU, QAX2, QAX4, QC9, QCM, QGR9, QMC8, QMD6, QMX2, QWA4, QWX2, QX2, QX4, QX9, QXE2, QXE5, QXE8, QXM2, QXS2, QXU, QXWE, RX4, RXE2, RXU, SCM, SG24, SMC7, SMC9, SMW2, SMX4, SMXE, SSX2, SWG4, SWX2, SX4, SX9, SXE5, SXS4, SXU, TX2, TX4, TXC9, TXDU, UXU, VA2, VCG, VES6, VG25, VGE4, VGE5, VHH4, VPM5, VS19, VSD9, VWS, VWS1, VWWN, VX2, VXE9, VXU1, WKS, WKT2, WMT4	
	12000-Z4M-415	BARREL ASSY., CYLINDER	-	1	-	-	1	-	HH26, HHQ4, LHN4, LHQ4, QA2, QBC2, QBM2, QH26, QHG4, QHQ4, QMC6, QME4, QMP4, QPU, RH2, RHG4, RHQ4, S1CY, SD16, SHCC, SHQ4, SHRY, WMB0	
	12000-Z4M-416	BARREL ASSY., CYLINDER (OIL ALERT)	-	1	-	-	-	-	4000000 QMXC, QXC9, SMXC, VG29	

E-3

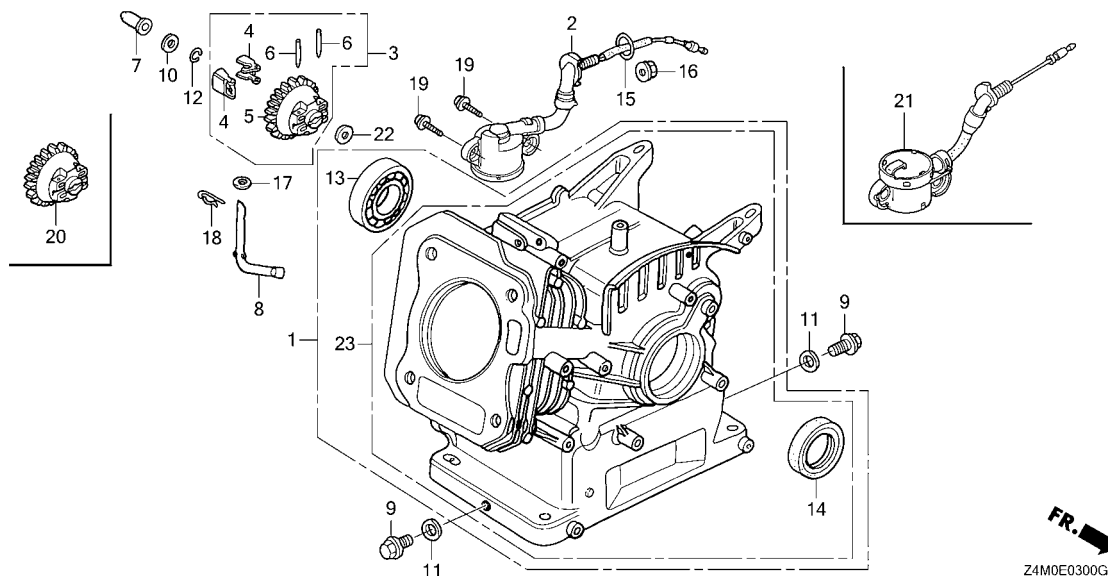
CYLINDER BARREL

Ref. No.	Part No.	Description	Reqd. QTY						Serial No.	Parts catalogue code
			GX 160 UT1	GX 160 UT2	GX 160 UT2X	GX 160 RT1	GX 160 RT2	GX 160 RT2X		
2	15510-ZE1-033	SWITCH ASSY., OIL LEVEL.....	1	-	-	-	-	-	1706983	LX2, LX26, LX4, LXU, PXU, QBT6, QCL, QGR9, QMC8, QMD6, QNT, QW24, QWA4, QWW2, QWX2, QX2, QX26, QX4, QX7, QX9, QXE2, QXF2, QXS2, QXU, SG24, SMC7, SMC9, SWX2, SX4, SX7, SX9, SXS4, SXU, TCS2, TW24, TX2, TX26, TX4, TXU, VA2, VG24, VGE4, VGE5, VHA9, VHH4, VMS4, VPM4, VPM5, VPM8, VPM9, VPR4, VPR9, VS17, VS19, VSD, VSD1, VSD7, VSD9, VWA2, VWW2, VX2, VX4, VXE9, VXU1, VXW2, WKS, WKT2, WKT4, WKT6
3	15510-ZE1-043 16510-ZE1-000	GOVERNOR ASSY.	1 1	- -	- -	- 1	- -	- -	2357570	HXE8, QXE4, QXE8, QXW, RXE2, RXP2, SXE4, VG29, HH26, HHQ4, HX2, HX4, HXE8, HXU, LHQ4, LX2, LX26, LX4, LXU, PXU, QA2, QA26, QAX2, QAX4, QBC2, QBM2, QBT6, QCB2, QCL, QGR9, QH26, QHG4, QHQ4, QHQU, QKA4, QMC6, QMC8, QMD6, QME4, QMP4, QM22, QNT, QNT4, QPU, QW24, QWA4, QWW2, QWX2, QX2, QX26, QX4, QX7, QX9, QXC4, QXC9, QXE2, QXE4, QXE5, QXE8, QXF2, QXP2, QXS2, QXU, QXW, QXWE, RH2, RHG4, RHQ4, RTB2, RX4, RXE2, RXP2, RXU, SD16, SG22, SG24, SHQ4, SHQU, SMC7, SMC9, SSS2, SWG4, SWX2, SX2, SX4, SX7, SX9, SXE4, SXE5, SXS, SXS2, SXS4, SXU, TCS2, TW24, TX2, TX26, TX4, TXC9, TXDU, TXU, UXU, VG24, VG29, WKS, WKT2, WKT4, WKT6, WMB0, VXE9
	16510-Z4M-000	(1)	-	-	-	-	-	-----	EMAN, EMAN/A, HH26, HH26/A, HHQ4, HX2, HX2/A, HX4, HX4/A, HXE8, HXE8/A, LHN4, LHN4/A, LHQ4, LX2, LX2/A, LX4, LX4/A, LXM2, LXM2/A, PXU, PXU/A, QA2, QA2/A, QAX2, QAX4, QAX4/A, QBC2, QBM2, QBM2/A, QC9, QC9/A, QCM, QCM/A, QGR9, QGR9/A, QH26, QH26/A, QHG4, QHG4/A, QHQ4, QHQ4/A, QMC6, QMC6/A, QMC8, QMC8/A, QMD6, QMD6/A, QME4, QME4/A, QMP4, QMX2, QMX2/A, QMXC, QPU, QWA4, QWA4/A, QWX2, QWX2/A, QX2, QX2/A, QX4, QX4/A, QX9, QX9/A, QXC9, QXE2, QXE2/A, QXE5, QXE5/A, QXE8, QXE8, QXGB, QXM2, QXS2, QXS2/A, QXU, QXU/A, QXWE, QXWE/A, RH2, RH2/A, RHG4, RHG4/A, RHQ4, RHQ4/A, RX4, RX4/A, RXE2, RXE2/A, RXU, RXU/A, S1CY, S1CY/A, SCM, SCM/A, SD16, SD16/A, SG24, SG24/A, SHCC, SHCC/A, SHQ4, SHQ4/A, SHRY, SHRY/A, SMC7, SMC7/A, SMC9, SMC9/A, SMM2, SMM2/A, SMX4, SMX4/A, SMXC, SMXE, SMXE/A, SSS2, SSS2/A, SWG4, SWG4/A, SWX2, SWX2/A, SX4, SX4/A, SX9, SX9/A, SXE5, SXE5/A, SXS4, SXS4/A, SXU, SXU/A, TX2, TX2/A, TX4, TX4/A, TXC9, TXDU, TXDU/A, UXU, UXU/A, VA2, VA2/A, VCG, VCG/A, VES6, VES6/A, VG25, VG25/A, VG29, VGE4, VGE5, VHH4, VHH4/A, VPM5, VS19, VSD9, VSD9/A, VWS, VWS1, VWS1/A, VWWN, VWWN/A, VX2, VX2/A, VXE9, VXE9/A, VXU1, VXU1/A, WKS, WKS/A, WKT2, WKT2/A, WMB0, WMB0/A, WMT4, WMT4/A
4	16510-ZH8-940 16511-ZE1-000	WEIGHT, GOVERNOR.....	- 2	1 -	1 -	- 2	- -	- -	-----	HH26, HHQ4, HX2, HX4, HXE8, HXU, LHQ4, LX2, LX26, LX4, LXU, PXU, QA2, QA26, QAX2, QAX4, QBC2, QBM2, QBT6, QCB2, QCL, QGR9, QH26, QHG4, QHQ4, QHQU, QKA4, QMC6, QMC8, QMD6, QME4, QMP4, QM22, QNT, QNT4, QPU, QW24, QWA4, QWW2, QWX2, QX2, QX26, QX4, QX7, QX9, QXC4, QXC9, QXE2, QXE4, QXE5, QXE8, QXF2, QXP2, QXS2, QXU, QXW, QXWE, RH2, RHG4, RHQ4, RTB2, RX4, RXE2, RXP2, RXU, SD16, SG22, SG24, SHQ4, SHQU, SMC7, SMC9, SSS2, SWG4, SWX2, SX2, SX4, SX7, SX9, SXE4, SXE5, SXS, SXS2, SXS4, SXU, TCS2, TW24, TX2, TX26, TX4, TXC9, TXDU, TXU, UXU, VG24, VG29, WKS, WKT2, WKT4, WKT6, WMB0, VXE9
			(2)	-	-	-	-	-	-----	VXE9



E-3

CYLINDER BARREL



Z4M0E0300G

Ref. No.	Part No.	Description	Reqd. QTY						Serial No.	Parts catalogue code
			GX 160 UT1	GX 160 UT2	GX 160 UT2X	GX 160 RT1	GX 160 RT2	GX 160 RT2X		
(4)	16511-Z4M-000	WEIGHT, GOVERNOR.....	-	2	2	-	2	2	-----	EMAN, EMAN/A, HH26, HH26/A, HHQ4, HX2, HX2/A, HX4, HX4/A, HXE8, HXE8/A, LHN4, LHN4/A, LHQ4, LX2, LX2/A, LX4, LX4/A, LXM2, LXM2/A, PXU, PXU/A, QA2, QA2/A, QAX2, QAX4, QAX4/A, QBC2, QBM2, QBM2/A, QC9, QC9/A, QCM, QCM/A, QGR9, QGR9/A, QH26, QH26/A, QHG4, QHG4/A, QHQ4, QHQ4/A, QMC6, QMC6/A, QMC8, QMC8/A, QMD6, QMD6/A, QME4, QME4/A, QMP4, QMX2, QMX2/A, QMXC, QPU, QWA4, QWA4/A, QWX2, QWX2/A, QX2, QX2/A, QX4, QX4/A, QX9, QX9/A, QXC9, QXE2, QXE2/A, QXE5, QXE5/A, QXE8, QXE8, QXGB, QXGB, QXM2, QXS2, QXS2/A, QXU, QXU/A, QXWE, QXWE/A, RH2, RH2/A, RHG4, RHG4/A, RHQ4, RHQ4/A, RX4, RX4/A, RXE2, RXE2/A, RXU, RXU/A, S1CY, S1CY/A, SCM, SCM/A, SD16, SD16/A, SG24, SG24/A, SHCC, SHCC/A, SHQ4, SHQ4/A, SHRY, SHRY/A, SMC7, SMC7/A, SMC9, SMC9/A, SMM2, SMM2/A, SMX4, SMX4/A, SMXC, SMXE, SMXE/A, SSS2, SSS2/A, SWG4, SWG4/A, SWX2, SWX2/A, SX4, SX4/A, SX9, SX9/A, SXE5, SXE5/A, SXS4, SXS4/A, SXU, SXU/A, TX2, TX2/A, TX4, TX4/A, TXC9, TXDU, TXDU/A, UXU, UXU/A, VA2, VA2/A, VCG, VCG/A, VES6, VES6/A, VG25, VG25/A, VG29, VGE4, VGE5, VHH4, VHH4/A, VPMS, VS19, VSD9, VSD9/A, VWS, VWS1, VWS1/A, VWWN, VWWN/A, VX2, VX2/A, VXE9, VXE9/A, VXU1, VXU1/A, WKS, WKS/A, WKT2, WKT2/A, WMB0, WMB0/A, WMT4, WMT4/A
	16511-ZH8-940	-	2	2	-	-	-	-----	

E-3

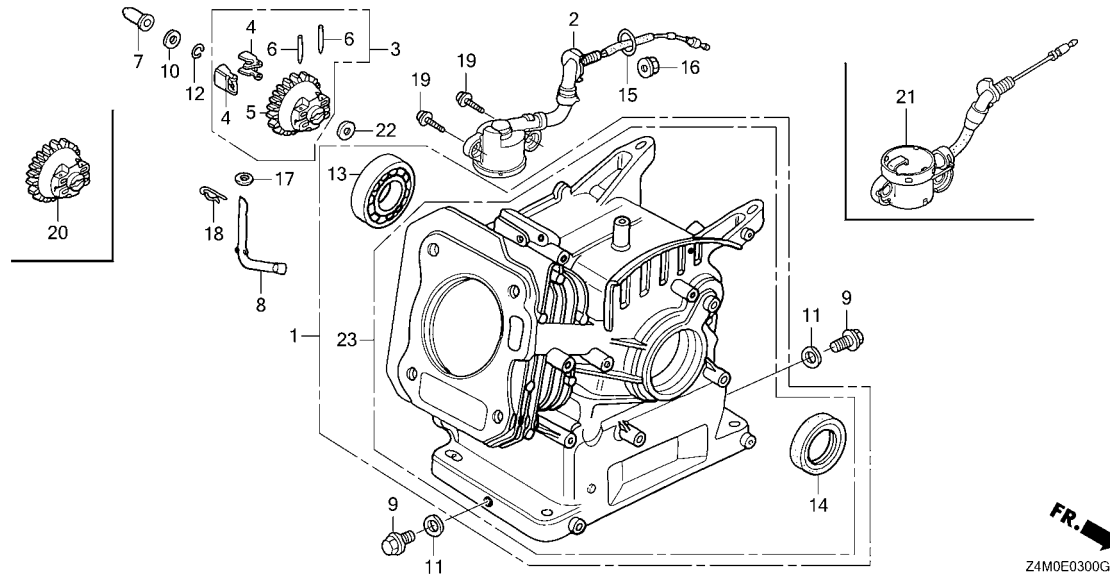
CYLINDER BARREL

Ref. No.	Part No.	Description	Reqd. QTY						Serial No.	Parts catalogue code
			GX 160 UT1	GX 160 UT2	GX 160 UT2X	GX 160 RT1	GX 160 RT2	GX 160 RT2X		
5	16512-ZE1-000	HOLDER, GOVERNOR WEIGHT	1	-	-	1	-	-	-----	HH26, HHQ4, HX2, HX4, HXE8, HXU, LHQ4, LX2, LX26, LX4, LXU, PXU, QA2, QA26, QAX2, QAX4, QBC2, QBM2, QBT6, QCB2, QCL, QGR9, QH26, QHG4, QHQ4, QHQU, QKA4, QMC6, QMC8, QMD6, QME4, QMP4, QMZ2, QNT, QNT4, QPU, QW24, QWA4, QWW2, QWX2, QX2, QX26, QX4, QX7, QX9, QXC4, QXC9, QXE2, QXE4, QXE5, QXE8, QXF2, QXP2, QXS2, QXU, QXW, QXWE, RH2, RHG4, RHQ4, RTB2, RX4, RXE2, RXP2, RXU, SD16, SG22, SG24, SHQ4, SHQU, SMC7, SMC9, SSX2, SWG4, SWX2, SX2, SX4, SX7, SX9, SXE4, SXE5, SXS, SXS2, SXS4, SXU, TCS2, TW24, TX2, TX26, TX4, TXC9, TXDU, TXU, UXU, VG24, VG29, WKS, WKT2, WKT4, WKT6, WMB0, VXE9
	16512-Z4M-000	(1)	-	-	-	-	-	-----	EMAN, EMAN/A, HH26, HH26/A, HHQ4, HX2, HX2/A, HX4, HX4/A, HXE8, HXE8/A, LHN4, LHN4/A, LHQ4, LX2, LX2/A, LX4, LX4/A, LXM2, LXM2/A, PXU, PXU/A, QA2, QA2/A, QAX2, QAX4, QAX4/A, QBC2, QBM2, QBM2/A, QC9, QC9/A, QCM, QCM/A, QGR9, QGR9/A, QH26, QH26/A, QHG4, QHG4/A, QHQ4, QHQ4/A, QMC6, QMC6/A, QMC8, QMC8/A, QMD6, QMD6/A, QME4, QME4/A, QMP4, QMX2, QMX2/A, QMXX, QPU, QWA4, QWA4/A, QWX2, QWX2/A, QX2, QX2/A, QX4, QX4/A, QX9, QX9/A, QXC9, QXE2, QXE2/A, QXE5, QXE5/A, QXE8, QXE8, QXEB, QXGB, QXM2, QXS2, QXS2/A, QXU, QXU/A, QXWE, QXWE/A, RH2, RH2/A, RHG4, RHG4/A, RHQ4, RHQ4/A, RX4, RX4/A, RXE2, RXE2/A, RXU, RXU/A, S1CY, S1CY/A, SCM, SCM/A, SD16, SD16/A, SG24, SG24/A, SHCC, SHCC/A, SHQ4, SHQ4/A, SHRY, SHRY/A, SMC7, SMC7/A, SMC9, SMC9/A, SMM2, SMM2/A, SMX4, SMX4/A, SMXC, SMXE, SMXE/A, SSX2, SSX2/A, SWG4, SWG4/A, SWX2, SWX2/A, SX4, SX4/A, SX9, SX9/A, SXE5, SXE5/A, SXS4, SXS4/A, SXU, SXU/A, TX2, TX2/A, TX4, TX4/A, TXC9, TXDU, TXDU/A, UXU, UXU/A, VA2, VA2/A, VCG, VCG/A, VES6, VES6/A, VG25, VG25/A, VG29, VGE4, VGE5, VHH4, VHH4/A, VPM5, VS19, VSD9, VSD9/A, VWS, VWS1, VWS1/A, VWWN, VWWN/A, VX2, VX2/A, VXE9, VXE9/A, VXU1, VXU1/A, WKS, WKS/A, WKT2, WKT2/A, WMB0, WMB0/A, WMT4, WMT4/A
	16512-ZE1-000	-	1	1	-	-	-	-----	WMT4, WMT4/A
6	16513-ZE1-000	PIN, GOVERNOR WEIGHT	2	-	-	2	-	-	-----	HH26, HHQ4, HX2, HX4, HXE8, HXU, LHQ4, LX2, LX26, LX4, LXU, PXU, QA2, QA26, QAX2, QAX4, QBC2, QBM2, QBT6, QCB2, QCL, QGR9, QH26, QHG4, QHQ4, QHQU, QKA4, QMC6, QMC8, QMD6, QME4, QMP4, QMZ2, QNT, QNT4, QPU, QW24, QWA4, QWW2, QWX2, QX2, QX26, QX4, QX7, QX9, QXC4, QXC9, QXE2, QXE4, QXE5, QXE8, QXF2, QXP2, QXS2, QXU, QXW, QXWE, RH2, RHG4, RHQ4, RTB2, RX4, RXE2, RXP2, RXU, SD16, SG22, SG24, SHQ4, SHQU, SMC7, SMC9, SSX2, SWG4, SWX2, SX2, SX4, SX7, SX9, SXE4, SXE5, SXS, SXS2, SXS4, SXU, TCS2, TW24, TX2, TX26, TX4, TXC9, TXDU, TXU, UXU, VG24, VG29, WKS, WKT2, WKT4, WKT6, WMB0, VXE9
	7 16531-ZE1-000	SLIDER, GOVERNOR	1	-	-	1	-	-	-----	VXE9
	16531-Z4M-000	-	2	2	-	2	2		
	8 16541-ZE1-000	SHAFT, GOVERNOR ARM	1	-	-	1	-	-		
	16541-Z4M-000	-	1	1	-	1	1		
	9 90131-ZE1-000	BOLT, DRAIN PLUG	2	2	2	2	2	2		
	10 90451-ZE1-000	WASHER, THRUST, 6MM	1	-	-	1	-	-		
	11 90601-ZE1-000	WASHER, DRAIN PLUG, 10.2MM	2	2	2	2	2	2		
	12 90602-ZE1-000	CLIP, GOVERNOR HOLDER	1	1	1	1	1	1		



E-3

CYLINDER BARREL



Ref. No.	Part No.	Description	Reqd. QTY						Serial No.	Parts catalogue code
			GX 160 UT1	GX 160 UT2	GX 160 UT2X	GX 160 RT1	GX 160 RT2	GX 160 RT2X		
13	91001-Z4X-003	BEARING, RADIAL BALL(6205) (NSK)	1	-	-	1	1	-	EMAN, HH26, HHQ4, HX2, HX4, HXE8, HXU, LHQ4, LX2, LX26, LX4, LXU PXU, QA2, QA26, QAX2, QAX4, QBC2, QBM2, QBT6, QCB2, QCL, QGR9 QH26, QHG4, QHQ4, QHQU, QKA4, QMC6, QMC8, QMD6, QME4, QMP4 QM22, QNT, QNT4, QPU, QW24, QWA4, QWW2, QWX2, QX2, QX26, QX4 QX7, QX9, QXC4, QXC9, QXE2, QXE4, QXE5, QXE8, QXF2, QXP2, QXS2 QXU, QXW, QXWE, RH2, RHG4, RHQ4, RTB2, RX4, RXE2, RXP2, RXU SD16, SG22, SG24, SHQ4, SHQU, SMC7, SMC9, SSX2, SWG4, SWX2, SX2 SX4, SX7, SX9, SXE4, SXE5, SXS, SXS2, SXS4, SXU, TCS2, TW24, TX2 TX26, TX4, TXC9, TXDU, TXU, UXU, VA2, VES6, VG24, VG29, VGE2 VGE4, VGE5, VHA9, VHH4, VMS4, VPM4, VPM5, VPM8, VPM9, VPMN VPR4, VPR9, VS17, VS19, VSD, VSD1, VSD2, VSD7, VSD9, VWA2, VWS VWS1, VWW2, VWWN, VX2, VX4, VXE9, VXU1, VXW2, WKS, WKT2, WKT4 WKT6, WMB0	
	91001-ZF1-003	BEARING, RADIAL BALL(6205TMB) (NTN)	1	-	-	1	1	-	EMAN, HH26, HHQ4, HX2, HX4, HXE8, HXU, LHQ4, LX2, LX26, LX4, LXU PXU, QA2, QA26, QAX2, QAX4, QBC2, QBM2, QBT6, QCB2, QCL, QGR9 QH26, QHG4, QHQ4, QHQU, QKA4, QMC6, QMC8, QMD6, QME4, QMP4 QM22, QNT, QNT4, QPU, QW24, QWA4, QWW2, QWX2, QX2, QX26, QX4 QX7, QX9, QXC4, QXC9, QXE2, QXE4, QXE5, QXE8, QXF2, QXP2, QXS2 QXU, QXW, QXWE, RH2, RHG4, RHQ4, RTB2, RX4, RXE2, RXP2, RXU SD16, SG22, SG24, SHQ4, SHQU, SMC7, SMC9, SSX2, SWG4, SWX2, SX2 SX4, SX7, SX9, SXE4, SXE5, SXS, SXS2, SXS4, SXU, TCS2, TW24, TX2 TX26, TX4, TXC9, TXDU, TXU, UXU, VA2, VES6, VG24, VG29, VGE2 VGE4, VGE5, VHA9, VHH4, VMS4, VPM4, VPM5, VPM8, VPM9, VPMN VPR4, VPR9, VS17, VS19, VSD, VSD1, VSD2, VSD7, VSD9, VWA2, VWS VWS1, VWW2, VWWN, VX2, VX4, VXE9, VXU1, VXW2, WKS, WKT2, WKT4 WKT6, WMB0	

E-3

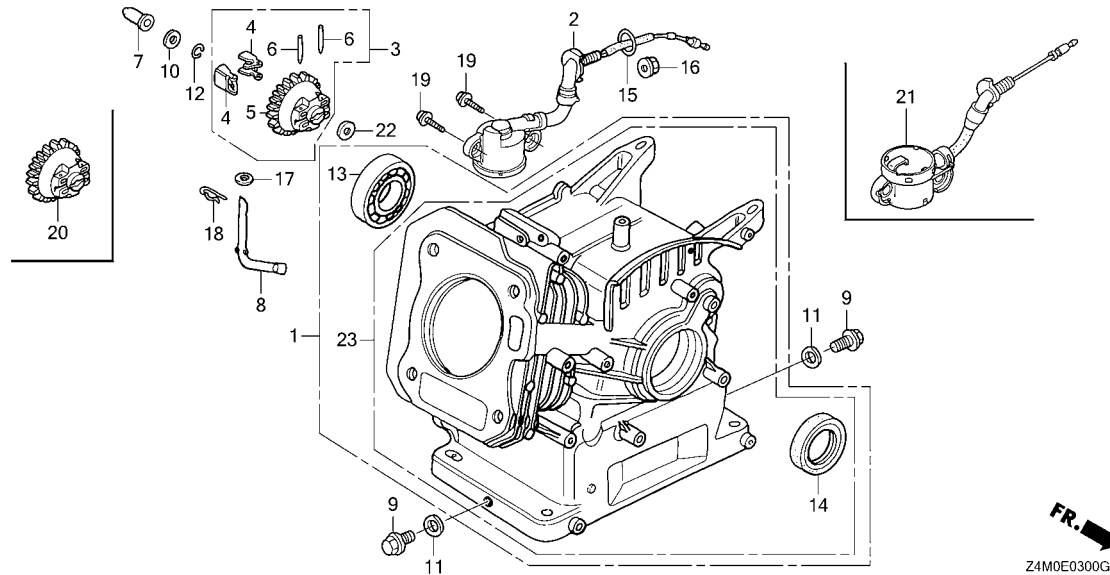
CYLINDER BARREL

Ref. No.	Part No.	Description	Reqd. QTY						Serial No.	Parts catalogue code
			GX 160 UT1	GX 160 UT2	GX 160 UT2X	GX 160 RT1	GX 160 RT2	GX 160 RT2X		
13)	91001-ZF1-004	BEARING, RADIAL BALL(6205SH) (KOYO)	1	-	-	1	1	-	EMAN, HH26, HHQ4, HX2, HX4, HXE8, HXU, LHQ4, LX2, LX26, LX4, LXU PXU, QA2, QA26, QAX2, QAX4, QBC2, QBM2, QBT6, QCB2, QCL, QGR9 QH26, QHG4, QHQ4, QHQU, QKA4, QMC6, QMC8, QMD6, QME4, QMP4 QM22, QNT, QNT4, QPU, QW24, QWA4, QWW2, QWX2, QX2, QX26, QX4 QX7, QX9, QXC4, QXC9, QXE2, QXE4, QXE5, QXE8, QXF2, QXP2, QXS2 QXU, QXW, QXWE, RH2, RHG4, RHQ4, RTB2, RX4, RXE2, RXP2, RXU SD16, SG22, SG24, SHQ4, SHQU, SMC7, SMC9, SSX2, SWG4, SWX2, SX2 SX4, SX7, SX9, SXE4, SXE5, SXS, SXS2, SXS4, SXU, TCS2, TW24, TX2 TX26, TX4, TXC9, TXDU, TXU, UXU, VA2, VES6, VG24, VG29, VGE2 VGE4, VGE5, VHA9, VHH4, VMS4, VPM4, VPM5, VPM8, VPM9, VPMN VPR4, VPR9, VS17, VS19, VSD, VSD1, VSD2, VSD7, VSD9, VWA2, VWS VWS1, VWW2, VWWN, VX2, VX4, VXE9, VXU1, VXX2, WKS, WKT2, WKT4 WKT6, WMB0	
	91001-Z4X-003	BEARING, RADIAL BALL(6205) (NSK)	-	1	-	-	-	-	HH26, HHQ4, HX2, HX4, HXE8, LHN4, LHQ4, LX2, LX4, LXM2, PXU, QA2 QAX2, QAX4, QBC2, QBM2, QC9, QCM, QGR9, QH26, QHQ4, QMC6, QMC8 QMD6, QME4, QMP4, QMX2, QPU, QWA4, QWX2, QX2, QX4, QX9, QXE2 QXE5, QXE8, QXM2, QXS2, QXU, QXWE, RH2, RHQ4, RX4, RXE2, RXU S1CY, SCM, SD16, SG24, SHCC, SHQ4, SHRY, SMC7, SMC9, SMW2, SMX4 SMXE, SSX2, SWX2, SX4, SX9, SXE5, SXS4, SXU, TX2, TX4, TXC9 TXDU, UXU, VA2, VCG, VG25, VSD9, VX2, VXE9, VXU1, WKS, WKT2 WMB0, WMT4	
	91001-ZF1-003	BEARING, RADIAL BALL(6205TMB) (NTN)	-	1	-	-	-	-	HH26, HHQ4, HX2, HX4, HXE8, LHN4, LHQ4, LX2, LX4, LXM2, PXU, QA2 QAX2, QAX4, QBC2, QBM2, QC9, QCM, QGR9, QH26, QHQ4, QMC6, QMC8 QMD6, QME4, QMP4, QMX2, QPU, QWA4, QWX2, QX2, QX4, QX9, QXE2 QXE5, QXE8, QXM2, QXS2, QXU, QXWE, RH2, RHQ4, RX4, RXE2, RXU S1CY, SCM, SD16, SG24, SHCC, SHQ4, SHRY, SMC7, SMC9, SMW2, SMX4 SMXE, SSX2, SWX2, SX4, SX9, SXE5, SXS4, SXU, TX2, TX4, TXC9 TXDU, UXU, VA2, VCG, VG25, VSD9, VX2, VXE9, VXU1, WKS, WKT2 WMB0, WMT4	
	91001-ZF1-004	BEARING, RADIAL BALL(6205SH) (KOYO)	-	1	-	-	-	-	HH26, HHQ4, HX2, HX4, HXE8, LHN4, LHQ4, LX2, LX4, LXM2, PXU, QA2 QAX2, QAX4, QBC2, QBM2, QC9, QCM, QGR9, QH26, QHQ4, QMC6, QMC8 QMD6, QME4, QMP4, QMX2, QPU, QWA4, QWX2, QX2, QX4, QX9, QXE2 QXE5, QXE8, QXM2, QXS2, QXU, QXWE, RH2, RHQ4, RX4, RXE2, RXU S1CY, SCM, SD16, SG24, SHCC, SHQ4, SHRY, SMC7, SMC9, SMW2, SMX4 SMXE, SSX2, SWX2, SX4, SX9, SXE5, SXS4, SXU, TX2, TX4, TXC9 TXDU, UXU, VA2, VCG, VG25, VSD9, VX2, VXE9, VXU1, WKS, WKT2 WMB0, WMT4	
	91001-Z4X-003	BEARING, RADIAL BALL(6205) (NSK)	-	1	-	-	-	-	4000000 QMXC, QXC9, SMXC, VG29	
	91001-ZF1-003	BEARING, RADIAL BALL(6205TMB) (NTN)	-	1	-	-	-	-	4000000 QMXC, QXC9, SMXC, VG29	
	91001-ZF1-004	BEARING, RADIAL BALL(6205SH) (KOYO)	-	1	-	-	-	-	4000000 QMXC, QXC9, SMXC, VG29	
14	91201-Z0T-801	OIL SEAL, 25X41X6(NOK).....	1	1	1	1	1	1		



E-3

CYLINDER BARREL



Ref. No.	Part No.	Description	Reqd. QTY						Serial No.	Parts catalogue code
			GX 160 UT1	GX 160 UT2	GX 160 UT2X	GX 160 RT1	GX 160 RT2	GX 160 RT2X		
14)	91202-YA0-P01	OIL SEAL, 25X41X6(ARAI).....	-	1	1	-	1	1	-----	EMAN, EMAN/A, HH26, HH26/A, HX2, HX2/A, HX4, HX4/A, HXE8 HXE8/A, LHN4/A, LX2, LX2/A, LX4, LX4/A, LXM2, LXM2/A, PXU PXU/A, QA2, QA2/A, QAX4, QAX4/A, QBM2, QBM2/A, QC9, QC9/A, QCM QCM/A, QGR9, QGR9/A, QH26, QH26/A, QHG4, QHG4/A, QHQ4, QHQ4/A QMC6, QMC6/A, QMC8, QMC8/A, QMD6, QMD6/A, QME4, QME4/A, QMX2 QMX2/A, QMXC, QWA4, QWA4/A, QWX2/A, QX2, QX2/A, QX4, QX4/A QX9, QX9/A, QXE2, QXE2/A, QXE5, QXE5/A, QXEB, QXGB, QXS2/A QXU, QXU/A, QXWE, QXWE/A, RH2, RH2/A, RHG4, RHG4/A, RHQ4 RHQ4/A, RX4, RX4/A, RXE2, RXE2/A, RXU/A, S1CY, S1CY/A, SCM SCM/A, SD16, SD16/A, SG24, SG24/A, SHCC, SHCC/A, SHQ4, SHQ4/A SHRY, SHRY/A, SMC7, SMC7/A, SMC9/A, SMW2, SMW2/A, SMX4 SMX4/A, SMXC, SMXE, SMXE/A, SSSX2, SSSX2/A, SWG4/A, SWX2 SWX2/A, SX4, SX4/A, SX9/A, SXE5, SXE5/A, SXS4, SXS4/A, SXU SXU/A, TX2, TX2/A, TX4, TX4/A, TXDU, TXDU/A, UXU, UXU/A, VA2 VA2/A, VCG, VCG/A, VES6, VES6/A, VG25, VG25/A, VHH4/A, VSD9 VSD9/A, VWS1, VWS1/A, VWWN, VWWN/A, VX2/A, VXE9, VXE9/A VXU1/A, WKS, WKS/A, WKT2, WKT2/A, WMB0, WMB0/A, WMT4, WMT4/A
	91202-Z1T-003	-	1	-	-	1	-	-----	EMAN/A, HH26/A, HX2/A, HX4/A, HXE8/A, LHN4/A, LX2/A, LX4/A LXM2/A, PXU/A, QA2/A, QAX4/A, QBM2/A, QC9/A, QCM/A, QGR9/A QH26/A, QHG4/A, QHQ4/A, QMC6/A, QMC8/A, QMD6/A, QME4/A, QMX2 QMX2/A, QWA4/A, QWX2/A, QX2/A, QX4/A, QX9/A, QXE2/A, QXE5/A QXEB, QXGB, QXS2/A, QXU/A, QXWE/A, RH2/A, RHG4/A, RHQ4/A RX4/A, RXE2/A, RXU/A, S1CY/A, SCM/A, SD16/A, SG24/A, SHCC/A SHQ4/A, SHRY/A, SMC7/A, SMC9/A, SMW2/A, SMX4/A, SMXE/A SSSX2/A, SWG4/A, SWX2/A, SX4/A, SX9/A, SXE5/A, SXS4/A, SXU/A TX2/A, TX4/A, TXDU/A, UXU/A, VA2/A, VCG/A, VES6/A, VG25/A VHH4/A, VSD9/A, VWS1/A, VWWN/A, VX2/A, VXE9/A, VXU1/A, WKS/A WKT2/A, WMB0/A, WMT4/A

E-3

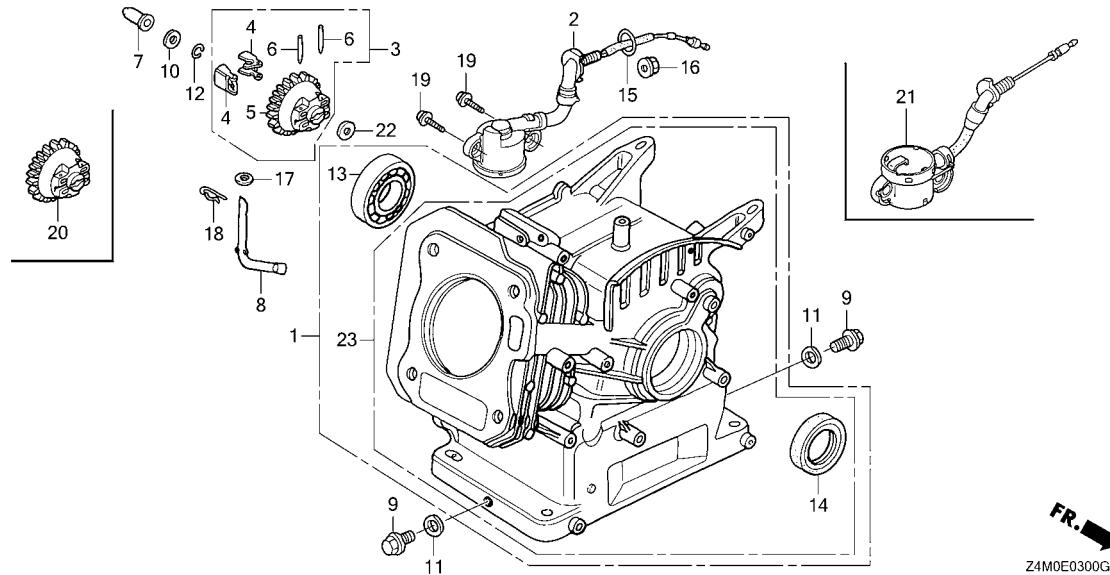
CYLINDER BARREL

Ref. No.	Part No.	Description	Reqd. QTY							Serial No.	Parts catalogue code
			GX 160 UT1	GX 160 UT2	GX 160 UT2X	GX 160 RT1	GX 160 RT2	GX 160 RT2X			
14)	91202-YA0-P01	OIL SEAL, 25X41X6(ARAI).....	-	1	-	-	1	-	1541350 -----	HHQ4, LHN4, LHO4, QAX2, QBC2, QMP4, QPU, QWX2, QXC9, QXE8, QXM2, QXS2, RXU, SMC9, SWG4, SX9, TXC9, VG29, VGE4, VGE5, VHH4, VPM5, VS19, VWS, VX2, VXU1	
	91202-Z1T-003	-	-	1	-	-	1			
15	91353-671-004	O-RING, 14MM(NOK).....	1	1	1	1	1	1	-----	EMAN, EMAN/A, HX2, HX2/A, HX4, HX4/A, HXE8, HXE8/A, HXU, LX2, LX2/A, LX26, LX4, LX4/A, LXM2, LXM2/A, LXU, PXU, PXU/A, QAX2, QAX4, QAX4/A, QBT6, QC9, QC9/A, QCL, QCM, QCM/A, QGR9, QGR9/A, QKA4, QMC8, QMC8/A, QMD6, QMD6/A, QMX2, QMX2/A, QMXC, QNT, QNT4, QW24, QWA4, QWA4/A, QWW2, QWX2, QWX2/A, QX2, QX2/A, QX26, QX4, QX4/A, QX7, QX9, QX9/A, QXC4, QXC9, QXE2, QXE2/A, QXE4, QXE5, QXE5/A, QXE8, QXEB, QXF2, QXGB, QXM2, QXP2, QXS2, QXS2/A, QXU, QXU/A, QXW, QXWE, QXWE/A, RX4, RX4/A, RXE2, RXE2/A, RXP2, RXU, RXU/A, SCM, SCM/A, SG22, SG24, SG24/A, SMC7, SMC7/A, SMC9, SMC9/A, SMW2, SMW2/A, SMX4, SMX4/A, SMXC, SMXE, SMXE/A, SXS2, SXS2/A, SWG4, SWG4/A, SWX2, SWX2/A, SX2, SX4, SX4/A, SX7, SX9, SX9/A, SXE4, SXE5, SXE5/A, SXS, SXS2, SXS4, SXS4/A, SXU, SXU/A, TCS2, TW24, TX2, TX2/A, TX26, TX4, TX4/A, TXC9, TXDU, TXDU/A, TXU, UXU, UXU/A, VA2, VA2/A, VCG, VCG/A, VES6, VES6/A, VG24, VG25, VG25/A, VG29, VGE2, VGE4, VGE5, VHA9, VHH4, VHH4/A, VMS4, VPM4, VPM5, VPM8, VPM9, VPMN, VPR4, VPR9, VS17, VS19, VSD, VSD1, VSD2, VSD7, VSD9, VSD9/A, VWA2, VWS, VWS1, VWS1/A, VWW2, VWWN, VWWN/A, VX2, VX2/A, VX4, VXE9, VXE9/A, VXU1, VXU1/A, VXW2, WKS, WKS/A, WKT2, WKT2/A, WKT4, WKT4/A, WMT4, WMT4/A	
16	94050-10000	NUT, FLANGE, 10MM.....	1	1	1	1	1	1	-----	EMAN, EMAN/A, HX2, HX2/A, HX4, HX4/A, HXE8, HXE8/A, HXU, LX2, LX2/A, LX26, LX4, LX4/A, LXM2, LXM2/A, LXU, PXU, PXU/A, QAX2, QAX4, QAX4/A, QBT6, QC9, QC9/A, QCL, QCM, QCM/A, QGR9, QGR9/A, QKA4, QMC8, QMC8/A, QMD6, QMD6/A, QMX2, QMX2/A, QMXC, QNT, QNT4, QW24, QWA4, QWA4/A, QWW2, QWX2, QWX2/A, QX2, QX2/A, QX26, QX4, QX4/A, QX7, QX9, QX9/A, QXC4, QXC9, QXE2, QXE2/A, QXE4, QXE5, QXE5/A, QXE8, QXEB, QXF2, QXGB, QXM2, QXP2, QXS2, QXS2/A, QXU, QXU/A, QXW, QXWE, QXWE/A, RX4, RX4/A, RXE2, RXE2/A, RXP2, RXU, RXU/A, SCM, SCM/A, SG22, SG24, SG24/A, SMC7, SMC7/A, SMC9, SMC9/A, SMW2, SMW2/A, SMX4, SMX4/A, SMXC, SMXE, SMXE/A, SXS2, SXS2/A, SWG4, SWG4/A, SWX2, SWX2/A, SX2, SX4, SX4/A, SX7, SX9, SX9/A, SXE4, SXE5, SXE5/A, SXS, SXS2, SXS4, SXS4/A, SXU, SXU/A, TCS2, TW24, TX2, TX2/A, TX26, TX4, TX4/A, TXC9, TXDU, TXDU/A, TXU, UXU, UXU/A, VA2, VA2/A, VCG, VCG/A, VES6, VES6/A, VG24, VG25, VG25/A, VG29, VGE2, VGE4, VGE5, VHA9, VHH4, VHH4/A, VMS4, VPM4, VPM5, VPM8, VPM9, VPMN, VPR4, VPR9, VS17, VS19, VSD, VSD1, VSD2, VSD7, VSD9, VSD9/A, VWA2, VWS, VWS1, VWS1/A, VWW2, VWWN, VWWN/A, VX2, VX2/A, VX4, VXE9, VXE9/A, VXU1, VXU1/A, VXW2, WKS, WKS/A, WKT2, WKT2/A, WKT4, WKT4/A, WMT4, WMT4/A	
17	94101-06800	WASHER, PLAIN, 6MM.....	1	1	1	1	1	1			
18	94251-08000	PIN, LOCK, 8MM.....	1	1	1	1	1	1			



E-3

CYLINDER BARREL



Ref. No.	Part No.	Description	Reqd. QTY						Serial No.	Parts catalogue code
			GX 160 UT1	GX 160 UT2	GX 160 UT2X	GX 160 RT1	GX 160 RT2	GX 160 RT2X		
19	95701-06012-00	BOLT, FLANGE, 6X12.....	2	2	2	2	2	2	-----	EMAN, EMAN/A, HX2, HX2/A, HX4, HX4/A, HXE8, HXE8/A, HXU, LX2 LX2/A, LX26, LX4, LX4/A, LXM2, LXM2/A, LXU, PXU, PXU/A, QAX2 QAX4, QAX4/A, QBT6, QC9, QC9/A, QCL, QCM, QCM/A, QGR9, QGR9/A QKA4, QMC8, QMC8/A, QMD6, QMD6/A, QMX2, QMX2/A, QMXC, QNT QNT4, QW24, QWA4, QWA4/A, QWW2, QWX2, QWX2/A, QX2, QX2/A, QX26 QX4, QX4/A, QX7, QX9, QX9/A, QXC4, QXC9, QXE2, QXE2/A, QXE4 QXE5, QXE5/A, QXE8, QXEB, QXF2, QXGB, QXM2, QXP2, QXS2, QXS2/A QXU, QXU/A, QXW, QXWE, QXWE/A, RX4, RX4/A, RXE2, RXE2/A, RXP2 RXU, RXU/A, SCM, SCM/A, SG22, SG24, SG24/A, SMC7, SMC7/A, SMC9 SMC9/A, SMW2, SMW2/A, SMX4, SMX4/A, SMXC, SMXE, SMXE/A, SSX2 SSX2/A, SWG4, SWG4/A, SWX2, SWX2/A, SX2, SX4, SX4/A, SX7, SX9 SX9/A, SXE4, SXE5, SXE5/A, SXS, SXS2, SXS4, SXS4/A, SXU, SXU/A TCS2, TW24, TX2, TX2/A, TX26, TX4, TX4/A, TXC9, TXDU, TXDU/A TXU, UXU, UXU/A, VA2, VA2/A, VCG, VCG/A, VES6, VES6/A, VG24 VG25, VG25/A, VG29, VGE2, VGE4, VGE5, VHA9, VHH4, VHH4/A, VMS4 VPM4, VPM5, VPM8, VPM9, VPMN, VPR4, VPR9, VS17, VS19, VSD, VSD1 VSD2, VSD7, VSD9, VSD9/A, VWA2, VWS, VWS1, VWS1/A, VWN2, VWN VWN/A, VX2, VX2/A, VX4, VXE9, VXE9/A, VXU1, VXU1/A, VXW2, WKS WKS/A, WKT2, WKT2/A, WKT4, WKT6, WMT4, WMT4/A VA2, VGE2, VGE4, VGE5, VHA9, VHH4, VMS4, VPM4, VPM5, VPM8, VPM9 VPMN, VPR4, VPR9, VS17, VS19, VSD, VSD1, VSD2, VSD7, VSD9, VWA2 VWN2, VWN, VX2, VX4, VXE9, VXU1, VXW2
20	16506-ZL0-000	GOVERNOR ASSY.	1	-	-	-	-	-	-----	



E-3

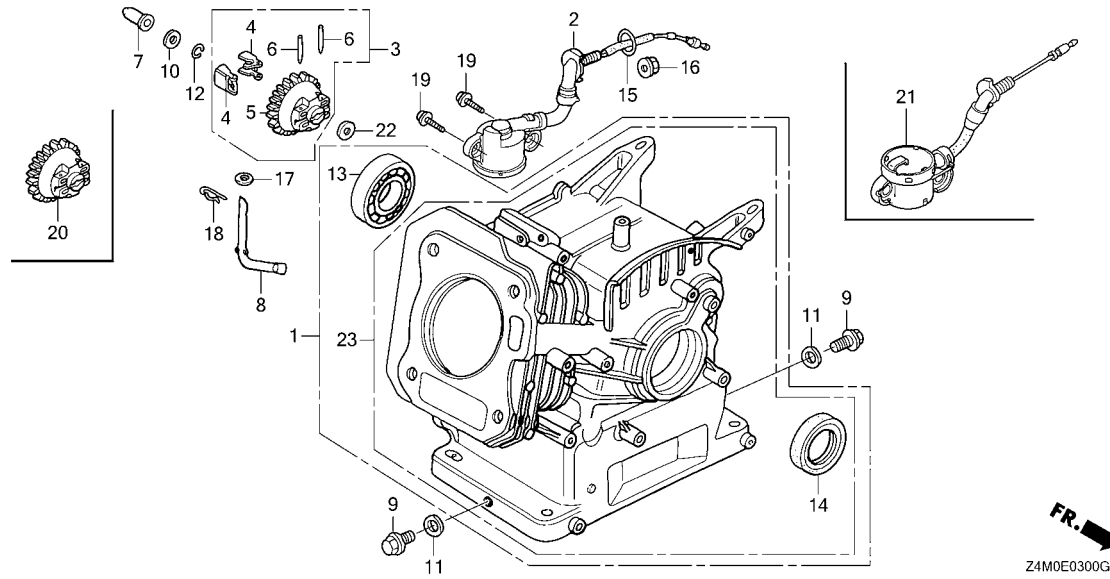
CYLINDER BARREL

Ref. No.	Part No.	Description	Reqd. QTY						Serial No.	Parts catalogue code	
			GX 160 UT1	GX 160 UT2	GX 160 RT1	GX 160 RT2	GX 160 RT2X	GX 160 RT2X			
21	35480-Z0T-003	SWITCH ASSY., OIL LEVEL	1	-	-	1	-	-	-----	HX2, HX4, HXU, QAX2, QAX4, QKA4, QNT4, QXC4, QXC9, QXE5, QXP2, QXWE, RX4, RXU, SG22, SSS2, SWG4, SX2, SXE5, SXS, SXS2, TXC9, TXDU, UXU, VGE2, VPMN, VSD2, VWWN	
			1	-	-	-	-	-	1706984	-----	LX2, LX26, LX4, LXU, PXU, QBT6, QCL, QGR9, QMC8, QMD6, QNT, QW24, QWA4, QWW2, QWX2, QX2, QX26, QX4, QX7, QX9, QXE2, QXF2, QXS2, QXU, SG24, SMC7, SMC9, SWX2, SX4, SX7, SX9, SXS4, SXU, TCS2, TW24, TX2, TX26, TX4, TXU, VA2, VG24, VGE4, VGE5, VHA9, VHH4, VMS4, VPM4, VPM5, VPM8, VPM9, VPR4, VPR9, VS17, VS19, VSD, VSD1, VSD7, VSD9, VWA2, VWW2, VX2, VX4, VXE9, VXU1, VXW2, WKS, WKT2, WKT4, WKT6
	35480-Z4M-003	SWITCH ASSY., OIL LEVEL (ASAHI DENSO)	1	-	-	-	-	-	2357571	-----	HXE8, QXE4, QXE8, QXW, RXE2, RXP2, SXE4, VG29
		(ASAHDENSO)	-	1	1	-	1	1	-----	-----	EMAN, EMAN/A, HX2, HX2/A, HX4, HX4/A, HXE8, HXE8/A, LX2, LX2/A, LX4, LX4/A, LXM2, LXM2/A, PXU, PXU/A, QAX4, QAX4/A, QC9, QC9/A, QCM, QCM/A, QGR9, QGR9/A, QMC8, QMC8/A, QMD6, QMD6/A, QMX2, QMX2/A, QMXC, QWA4, QWA4/A, QWX2, QWX2/A, QX2, QX2/A, QX4, QX4/A, QX9, QX9/A, QXC9, QXE2, QXE2/A, QXE5, QXE5/A, QXEB, QXGB, QXS2, QXS2/A, QXU, QXU/A, QXWE, QXWE/A, RX4, RX4/A, RXE2, RXE2/A, RXU, RXU/A, SCM, SCM/A, SG24, SG24/A, SMC7, SMC7/A, SMC9, SMC9/A, SMW2, SMW2/A, SMX4, SMX4/A, SMXC, SMXE, SMXE/A, SSS2, SSS2/A, SWX2, SWX2/A, SX4, SX4/A, SXE5, SXE5/A, SXS4, SXS4/A, SXU, SXU/A, TX2, TX2/A, TX4, TX4/A, TXDU, TXDU/A, UXU, UXU/A, VA2, VA2/A, VCG, VCG/A, VES6, VES6/A, VG25, VG25/A, VG29, VHH4, VHH4/A, VSD9, VSD9/A, VWS1, VWS1/A, VWWN, VWWN/A, VX2, VX2/A, VXE9, VXE9/A, VXU1, VXU1/A, WKS, WKS/A, WKT2, WKT2/A, WMT4, WMT4/A
	35480-Z0T-003	SWITCH ASSY., OIL LEVEL	-	1	-	-	1	-	-----	-----	EMAN, EMAN/A, HX2, HX2/A, HX4, HX4/A, HXE8, HXE8/A, LX2, LX2/A, LX4, LX4/A, LXM2, LXM2/A, PXU, PXU/A, QAX2, QAX4, QAX4/A, QC9, QC9/A, QCM, QCM/A, QGR9, QGR9/A, QMC8, QMC8/A, QMD6, QMD6/A, QMX2, QMX2/A, QMXC, QWA4, QWA4/A, QWX2, QWX2/A, QX2, QX2/A, QX4, QX4/A, QX9, QX9/A, QXC9, QXE2, QXE2/A, QXE5, QXE5/A, QXEB, QXEB, QXGB, QXM2, QXS2, QXS2/A, QXU, QXU/A, QXWE, QXWE/A, RX4, RX4/A, RXE2, RXE2/A, RXU, RXU/A, SCM, SCM/A, SG24, SG24/A, SMC7, SMC7/A, SMC9, SMC9/A, SMW2, SMW2/A, SMX4, SMX4/A, SMXC, SMXE, SMXE/A, SSS2, SSS2/A, SWG4, SWG4/A, SWX2, SWX2/A, SX4, SX4/A, SX9, SX9/A, SXE5, SXE5/A, SXS4, SXS4/A, SXU, SXU/A, TX2, TX2/A, TX4, TX4/A, TXC9, TXDU, TXDU/A, UXU, UXU/A, VA2, VA2/A, VCG, VCG/A, VES6, VES6/A, VG25, VG25/A, VG29, VGE4, VGE5, VHH4, VHH4/A, VPM5, VS19, VSD9, VSD9/A, VWS, VWS1, VWS1/A, VWWN, VWWN/A, VX2, VX2/A, VXE9, VXE9/A, VXU1, VXU1/A, WKS, WKS/A, WKT2, WKT2/A, WMT4, WMT4/A
22	94101-06800	WASHER, PLAIN, 6MM	1	1	1	1	1	1			
23	12000-Z4M-426	BARREL ASSY., CYLINDER (OIL ALERT)	-	1	-	-	1	-	-----	-----	EMAN/A, HX2/A, HX4/A, HXE8/A, LX2/A, LX4/A, LXM2/A, PXU/A, QAX4/A, QC9/A, QCM/A, QGR9/A, QMC8/A, QMD6/A, QMX2/A, QWA4/A, QWX2/A, QX2/A, QX4/A, QX9/A, QXE2/A, QXE5/A, QXEB, QXGB, QXS2/A, QXU/A, QXWE/A, RX4/A, RXE2/A, RXU/A, SCM/A, SG24/A, SMC7/A, SMC9/A, SMW2/A, SMX4/A, SMXE/A, SSS2/A, SWG4/A, SWX2/A, SX4/A, SX9/A, SXE5/A, SXS4/A, SXU/A, TX2/A, TX4/A, TXDU/A, UXU/A, VA2/A, VCG/A, VES6/A, VG25/A, VHH4/A, VSD9/A, VWS1/A, VWWN/A, VX2/A, VXE9/A, VXU1/A, WKS/A, WKT2/A, WMT4/A
	12000-Z4M-425	BARREL ASSY., CYLINDER	-	1	-	-	1	-	-----	-----	HH26/A, LHN4/A, QA2/A, QBM2/A, QH26/A, QHG4/A, QHQ4/A, QMC6/A, QME4/A, RH2/A, RHG4/A, RHQ4/A, S1CY/A, SD16/A, SHCC/A, SHQ4/A, SHRY/A, WMB0/A
	12000-Z4M-426	BARREL ASSY., CYLINDER (OIL ALERT)	-	1	-	-	-	-	4000001	-----	QMXC, QXC9, SMXC, VG29



E-3

CYLINDER BARREL

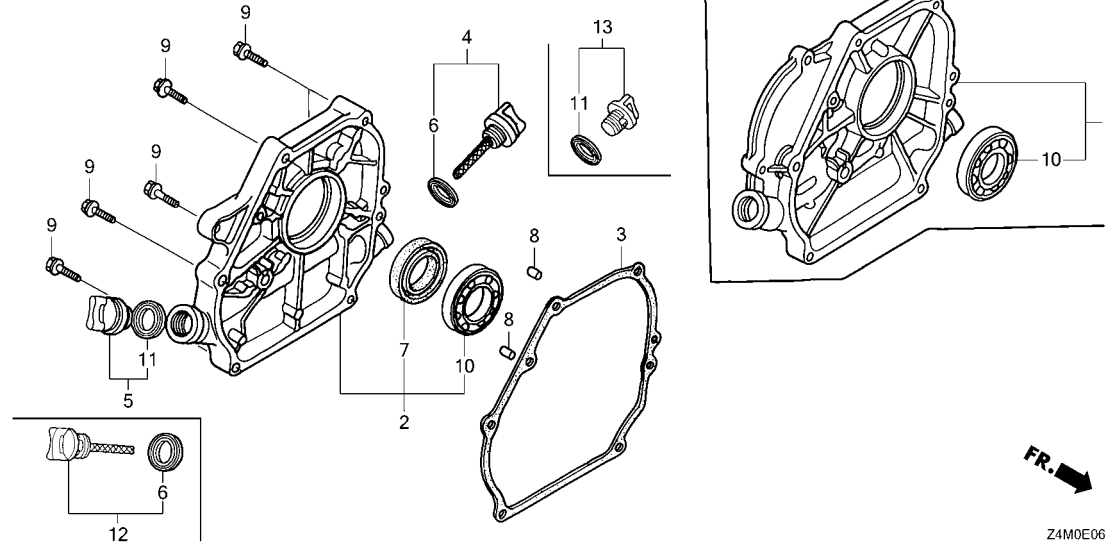


Ref. No.	Part No.	Description	Reqd. QTY						Serial No.	Parts catalogue code
			GX 160 UT1	GX 160 UT2	GX 160 UT2X	GX 160 RT1	GX 160 RT2	GX 160 RT2X		
23)	12000-Z4M-425	BARREL ASSY., CYLINDER.....	-	-	1	-	-	-	----- HH26,QA2,QBM2,QH26,QHQ4,QMC6,QME4,RH2,RHQ4,S1CY,SD16 SHCC,SHQ4,SHRY,WMB0	
	12000-Z4M-426	BARREL ASSY., CYLINDER (OIL ALERT)	-	-	1	-	-	-	----- HX2,HX4,HXE8,LX2,LX4,LXM2,PXU,QAX4,QC9,QCM,QGR9,QMC8 QMD6,QMX2,QWA4,QX2,QX4,QX9,QXE2,QXE5,QXEB,QXGB,QXU QXWE,RX4,RXE2,SCM,SG24,SMC7,SMW2,SMX4,SMXE,SSX2,SWX2 SX4,SXE5,SXS4,SXU,TX2,TX4,TXDU,UXU,VA2,VG25,VSD9,VXE9 WKS,WKT2,WMT4	
	12000-Z4M-425	BARREL ASSY., CYLINDER.....	-	-	-	-	-	1	----- EMAN,VES6,VWS1,VWWN ----- QHG4,RHG4	



E-6

CRANKCASE COVER



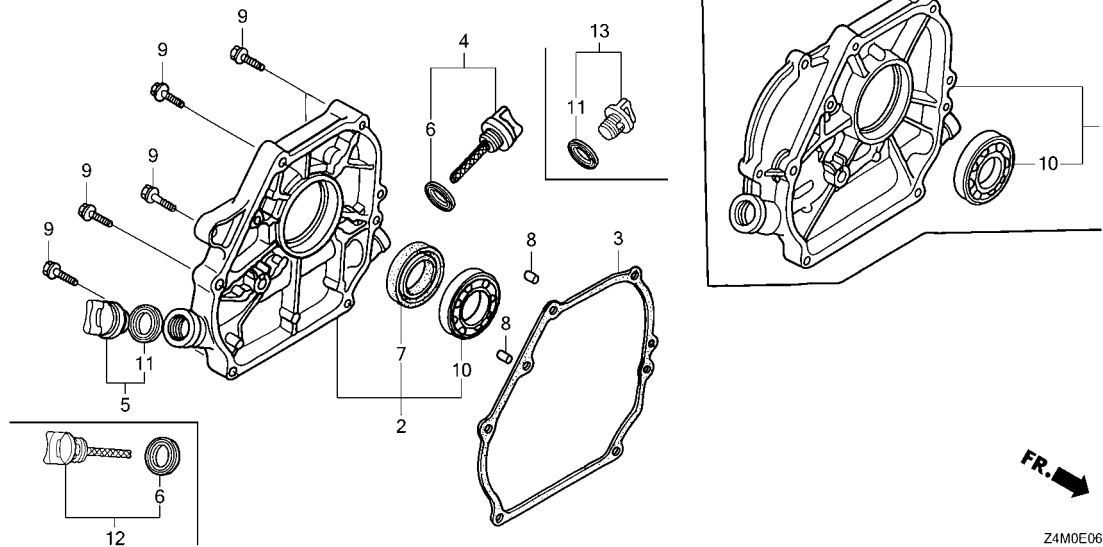
Ref. No.	L.O.N.	(Relative ref. Number) Description	F.R.T.
2	(1)		
2	1101F1	COVER, CRANKCASE	0.2
3	1101E9	PACKING, CRANKCASE COVER	0.2
7	1101E5	OIL SEAL, CRANKSHAFT :REAR	0.3
10	1101A6	BEARING, CRANKSHAFT :REAR	0.4

Ref. No.	Part No.	Description	Reqd. QTY						Serial No.	Parts catalogue code
			GX 160 UT1	GX 160 UT2	GX 160 UT2X	GX 160 RT1	GX 160 RT2	GX 160 RT2X		
1	11300-ZE1-613	COVER ASSY., CRANKCASE	1	1	1	-	-	-	LHN4, LHN4/A, LHQ4, LX2, LX2/A, LX26, LX4, LX4/A, LXM2, LXM2/A, LXU	
2	11300-ZE1-634	COVER ASSY., CRANKCASE	1	-	-	1	-	-	HH26, HHQ4, HX2, HX4, HXE8, HXU, SD16, SG22, SG24, SHQ4, SHQ SMC7, SMC9, SSX2, SWG4, SX2, SX4, SX7, SX9, SXE4, SXE5, SXS SX52, SXS4, SXU, WKS, WKT2, WKT4, WKT6, WMB0	
	11300-ZE1-020	1	-	-	1	-	-	RH2, RHG4, RHQ4, RTB2, RX4, RXE2, RXP2, RXU, SWX2	
	11300-ZE1-642	1	-	-	-	-	-	PXU, QA2, QA26, QAX2, QAX4, QBC2, QBM2, QBT6, QCB2, QCL, QGR9 QH26, QHG4, QHQ4, QHQ4, QKA4, QMC6, QMC8, QMD6, QME4, QMP4 QM22, QNT, QNT4, QPU, QW24, QWA4, QWW2, QWX2, QX2, QX26, QX4 QX7, QX9, QXC4, QXC9, QXE2, QXE4, QXE5, QXE8, QXF2, QXP2, QXS2 QXU, QXW, QXWE, TCS2, TW24, TX2, TX26, TX4, TXC9, TXDU, TXU, UXU VA2, VG24, VG29, VGE2, VGE4, VGE5, VHA9, VHH4, VMS4, VPM4, VPM5 VPM8, VPM9, VPMN, VPR4, VPR9, VS17, VS19, VSD, VSD1, VSD2, VSD7 VSD9, VWA2, VWW2, VWWN, VX2, VX4, VXE9, VXU1, VXW2	
	11300-Z4M-630	-	1	1	-	1	1	EMAN, EMAN/A, HH26, HH26/A, HHQ4, HX2, HX2/A, HX4, HX4/A, HXE8 HXE8/A, S1CY, S1CY/A, SCM, SCM/A, SD16, SD16/A, SG24, SG24/A SHCC, SHCC/A, SHQ4, SHQ4/A, SHRY, SHRY/A, SMC7, SMC7/A, SMC9 SMC9/A, SMW2, SMW2/A, SMX4, SMX4/A, SMXC, SMXE, SMXE/A, SSX2 SSX2/A, SWG4, SWG4/A, SX4, SX4/A, SX9, SX9/A, SXE5, SXE5/A SXS4, SXS4/A, SXU, SXU/A, VES6, VES6/A, VWS, VWS1, VWS1/A, WKS WKS/A, WKT2, WKT2/A, WMB0, WMB0/A, WMT4, WMT4/A	



E-6

CRANKCASE COVER



Ref. No.	Part No.	Description	Reqd. QTY						Serial No.	Parts catalogue code	
			GX 160 UT1	GX 160 UT2	GX 160 UT2X	GX 160 RT1	GX 160 RT2	GX 160 RT2X			
(2)	11300-Z4M-640	COVER ASSY., CRANKCASE.....	-	1	1	-	1	1	-----	PXU, PXU/A, QA2, QA2/A, QAX2, QAX4, QAX4/A, QBC2, QBM2, QBM2/A, QC9, QC9/A, QCM, QCM/A, QGR9, QGR9/A, QH26, QH26/A, QHG4, QHG4/A, QHQ4, QHQ4/A, QMC6, QMC6/A, QMC8, QMC8/A, QMD6, QMD6/A, QME4, QME4/A, QMP4, QMX2, QMX2/A, QMXC, QPU, QWA4, QWA4/A, QWX2, QWX2/A, QX2, QX2/A, QX4, QX4/A, QX9, QX9/A, QXC9, QXE2, QXE2/A, QXE5, QXE5/A, QXE8, QXE8, QXGB, QXM2, QXS2, QXS2/A, QXU, QXU/A, QXWE, QXWE/A, TX2, TX2/A, TX4, TX4/A, TXC9, TXDU, TXDU/A, UXU, UXU/A, VA2, VA2/A, VCG, VCG/A, VG25, VG25/A, VG29, VGE4, VGE5, VHH4, VHH4/A, VPM5, VS19, VSD9, VSD9/A, VVWN, VVWN/A, VX2, VX2/A, VXE9, VXE9/A, VXU1, VXU1/A, RH2, RH2/A, RHG4, RHG4/A, RHQ4, RHQ4/A, RX4, RX4/A, RXE2, RXE2/A, RXU, RXU/A, SWX2, SWX2/A	
	11300-Z4M-000	-	1	1	-	1	1	-----	RH2, RH2/A, RHG4, RHG4/A, RHQ4, RHQ4/A, RX4, RX4/A, RXE2, RXE2/A, RXU, RXU/A, SWX2, SWX2/A	
3	11381-ZH8-801	PACKING, CASE COVER (NON ASBESTOS)	1	-	-	1	-	-	-----	HH26, HHQ4, HX2, HX4, HXE8, HXU, LHQ4, LX2, LX26, LX4, LXU, PXU, QA2, QA26, QAX2, QAX4, QBC2, QBM2, QBT6, QCB2, QCL, QGR9, QH26, QHG4, QHQ4, QHQ4, QKA4, QMC6, QMC8, QMD6, QME4, QMP4, QM22, QNT, QNT4, QPU, QW24, QWA4, QWW2, QWX2, QX2, QX26, QX4, QX7, QX9, QXC4, QXC9, QXE2, QXE4, QXE5, QXE8, QXF2, QXP2, QXS2, QXU, QXW, QXWE, RXP2, SD16, SG22, SG24, SHQ4, SHQU, SMC7, SMC9, SSS2, SWG4, SWX2, SX2, SX4, SX7, SX9, SXE4, SXE5, SXS, SXS2, SXS4, SXU, TCS2, TW24, TX2, TX26, TX4, TXC9, TXDU, TXU, UXU, VA2, VG24, VG29, VGE2, VGE4, VGE5, VHA9, VHH4, VMS4, VPM4, VPM5, VPM8, VPM9, VPMN, VPR4, VPR9, VS17, VS19, VSD, VSD1, VSD2, VSD7, VSD9, VWA2, VWW2, VVWN, VX2, VX4, VXE9, VXU1, VWX2, WKS, WKT2, WKT4, WKT6, WMB0	
	11381-ZL0-000	PACKING, CASE COVER.....	1	-	-	1	-	-	-----	2656745	RH2, RHG4, RHQ4, RTB2, RX4, RXE2, RXU
	11381-ZH8-801	PACKING, CASE COVER (NON ASBESTOS)	1	-	-	1	-	-	-----	2656746	RH2, RHG4, RHQ4, RTB2, RX4, RXE2, RXU
			-	1	1	-	1	1			

E-6

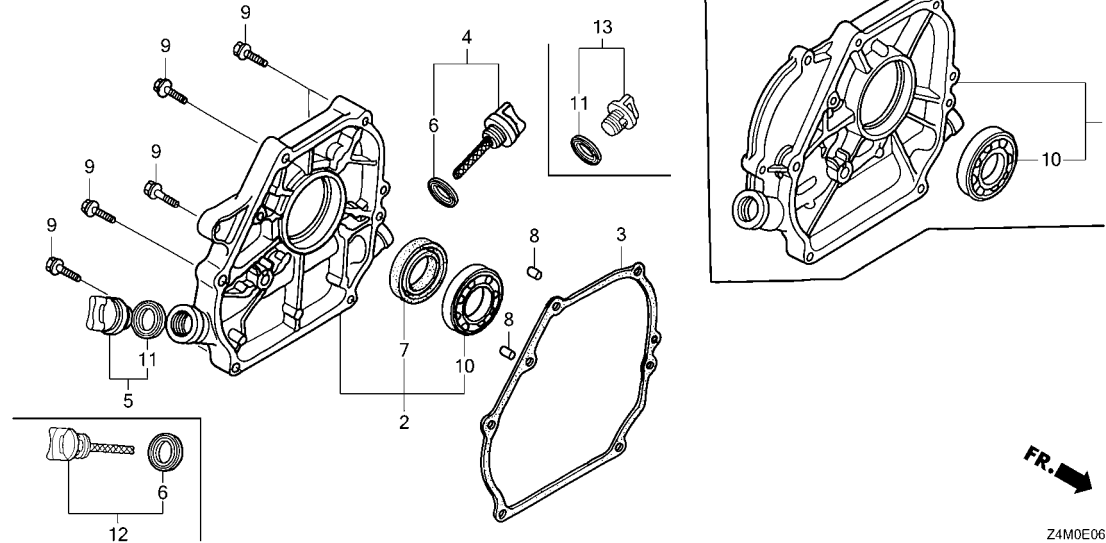
CRANKCASE COVER

Ref. No.	Part No.	Description	Reqd. QTY						Serial No.	Parts catalogue code	
			GX 160 UT1	GX 160 UT2	GX 160 UT2X	GX 160 RT1	GX 160 RT2	GX 160 RT2X			
4	15600-Z0T-810	CAP ASSY., OIL FILLER(GAUGE) (GRAY)	1	1	-	1	1	1	-----	EMAN, EMAN/A, HH26, HH26/A, HHQ4, HX2, HX2/A, HX4, HX4/A, HXE8 HXE8/A, HXU, LHN4, LHN4/A, LHQ4, LX2, LX2/A, LX26, LX4, LX4/A LXM2, LXM2/A, LXU, PXU, PXU/A, QA2, QA2/A, QA26, QAX2, QAX4 QAX4/A, QBC2, QBM2, QBM2/A, QBT6, QC9, QC9/A, QCB2, QCL, QCM QCM/A, QGR9, QGR9/A, QH26, QH26/A, QHG4, QHG4/A, QHQ4, QHQ4/A QHQU, QKA4, QMC6, QMC6/A, QMC8, QMC8/A, QMD6, QMD6/A, QME4 QME4/A, QMP4, QMX2, QMX2/A, QMXC, QMZ2, QNT, QNT4, QPU, QW24 QWA4, QWA4/A, QWW2, QWX2, QWX2/A, QX2, QX2/A, QX26, QX4, QX4/A QX7, QX9, QX9/A, QXC4, QXC9, QXE2, QXE2/A, QXE4, QXE5, QXE5/A QXE8, QXEB, QXF2, QXGB, QXM2, QXP2, QXS2, QXS2/A, QXU, QXU/A QXW, QXWE, QXWE/A, RH2, RH2/A, RHG4, RHG4/A, RHQ4, RHQ4/A RTB2, RX4, RX4/A, RXE2, RXE2/A, RXP2, RXU, RXU/A, S1CY, S1CY/A SCM, SCM/A, SD16, SD16/A, SG22, SG24, SG24/A, SHCC, SHCC/A SHQ4, SHQ4/A, SHQU, SMC7, SMC7/A, SMC9, SMC9/A, SMM2, SMM2/A SMX4, SMX4/A, SMXC, SMXE, SMXE/A, SSS2, SSS2/A, SWG4, SWG4/A SWX2, SWX2/A, SX2, SX4, SX4/A, SX7, SX9, SX9/A, SXE4, SXE5 SXE5/A, SXS, SXS2, SXS4, SXS4/A, SXU, SXU/A, TCS2, TW24, TX2 TX2/A, TX26, TX4, TX4/A, TXC9, TXDU, TXDU/A, TXU, UXU, UXU/A VA2, VA2/A, VCG, VCG/A, VES6, VES6/A, VG24, VG25, VG25/A, VG29 VGE2, VGE4, VGE5, VHA9, VHH4, VHH4/A, VMS4, VPM4, VPM5, VPM8 VPM9, VPMN, VPR4, VPR9, VS17, VS19, VSD, VSD1, VSD2, VSD7, VSD9 VSD9/A, VWA2, VWS, VWS1, VWS1/A, VWW2, VWWN, VWWN/A, VX2 VX2/A, VX4, VXE9, VXE9/A, VXU1, VXU1/A, VXW2, WKS, WKS/A, WKT2 WKT2/A, WKT4, WKT6, WMB0, WMB0/A, WMT4, WMT4/A	
			-	1	-	-	-	-	-----	2258849 SHRY	
5	15600-ZG4-003	CAP ASSY., OIL FILLER.....	1	-	-	1	-	-	-----	HH26, QKA4, QXE5, QXWE, RHG4, SWG4, SXE5, TXC9	



E-6

CRANKCASE COVER



Ref. No.	Part No.	Description	Reqd. QTY						Serial No.	Parts catalogue code
			GX 160 UT1	GX 160 UT2	GX 160 UT2X	GX 160 RT1	GX 160 RT2	GX 160 RT2X		
(5)	15600-Z0T-820	CAP ASSY., OIL FILLER(BLACK)·	1	-	-	-	1	1	-----	EMAN, EMAN/A, HHQ4, HX2, HX4, HXE8, HXU, LHQ4, LX2, LX26, LX4, LXU, PXU, QA2, QA26, QAX2, QAX4, QBC2, QBM2, QBT6, QCB2, QCL, QGR9, QH26, QHG4, QHG4/A, QHQ4, QHQ4, QMC6, QMC8, QMD6, QME4, QMP4, QM22, QNT, QNT4, QPU, QW24, QWA4, QWW2, QWX2, QX2, QX26, QX4, QX7, QX9, QXC4, QXC9, QXE2, QXE4, QXE8, QXF2, QXP2, QXS2, QXU, QXW, RH2, RHG4, RHG4/A, RHQ4, RTB2, RX4, RXE2, RXP2, RXU, SD16, SG22, SG24, SHQ4, SHQU, SMC7, SMC9, SSX2, SWG4, SWG4/A, SWX2, SX2, SX4, SX7, SX9, SXE4, SXS, SXS2, SXS4, SXU, TCS2, TW24, TX2, TX26, TX4, TXDU, TXU, UXU, VA2, VES6, VES6/A, VG24, VG29, VGE2, VGE4, VGE5, VHA9, VHH4, VHH4/A, VMS4, VPM4, VPM5, VPM8, VPM9, VPMN, VPR4, VPR9, VS17, VS19, VSD, VSD1, VSD2, VSD7, VSD9, VWA2, VWS, VWS1, VWS1/A, VWW2, VWWN, VWWN/A, VX2, VX4, VXE9, VXU1, VXW2, WKS, WKT2, WKT4, WKT6, WMB0

E-6

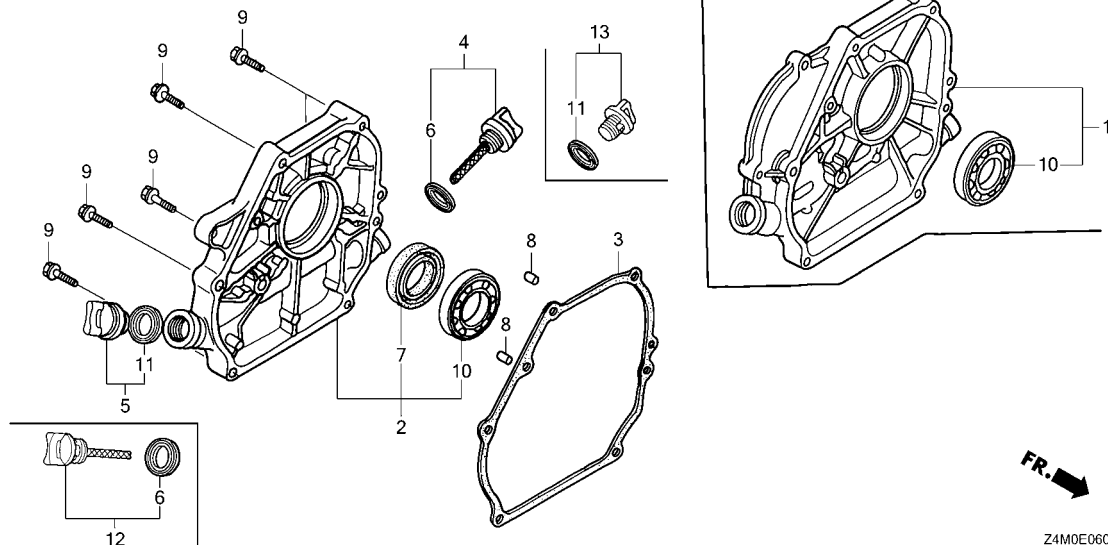
CRANKCASE COVER

Ref. No.	Part No.	Description	Reqd. QTY						Serial No.	Parts catalogue code
			GX 160 UT1	GX 160 UT2	GX 160 UT2X	GX 160 RT1	GX 160 RT2	GX 160 RT2X		
(5)	15600-Z0T-820	CAP ASSY., OIL FILLER(BLACK)•	-	1	-	-	-	-	-----	HH26, HH26/A, HHQ4, HX2, HX2/A, HX4, HX4/A, HXE8, HXE8/A, LHN4 LHN4/A, LHQ4, LX2, LX2/A, LX4, LX4/A, LXM2, LXM2/A, PXU, PXU/A QA2, QA2/A, QAX2, QAX4, QAX4/A, QBC2, QBM2, QBM2/A, QC9, QC9/A QCM, QCM/A, QGR9, QGR9/A, QH26, QH26/A, QHQ4, QHQ4/A, QMC6 QMC6/A, QMC8, QMC8/A, QMD6, QMD6/A, QME4, QME4/A, QMP4, QMX2 QMX2/A, QMXC, QPU, QWA4, QWA4/A, QWX2, QWX2/A, QX2, QX2/A, QX4 QX4/A, QX9, QX9/A, QXC9, QXE2, QXE2/A, QXE5, QXE5/A, QXE8 QXEB, QXGB, QXM2, QXS2, QXS2/A, QXU, QXU/A, QXWE, QXWE/A, RH2 RH2/A, RHQ4, RHQ4/A, RX4, RX4/A, RXE2, RXE2/A, RXU, RXU/A S1CY, S1CY/A, SCM, SCM/A, SD16, SD16/A, SG24, SG24/A, SHQ4 SHQ4/A, SMC7, SMC7/A, SMC9, SMC9/A, SMW2, SMW2/A, SMX4 SMX4/A, SMXC, SMXE, SMXE/A, SSS2, SSS2/A, SWX2, SWX2/A, SX4 SX4/A, SX9, SX9/A, SXE5, SXE5/A, SXS4, SXS4/A, SXU, SXU/A, TX2 TX2/A, TX4, TX4/A, TXC9, TXDU, TXDU/A, UXU, UXU/A, VA2, VA2/A VCG, VCG/A, VG25, VG25/A, VG29, VSD9, VSD9/A, VX2, VX2/A, VXE9 VXE9/A, VXU1, VXU1/A, WKS, WKS/A, WKT2, WKT2/A, WMB0, WMB0/A WMT4, WMT4/A
			-	1	-	-	-	-	-----	2258849 SHRY
			-	-	1	-	-	-	-----	HH26, HX2, HX4, HXE8, LX2, LX4, LXM2, PXU, QA2, QAX4, QBM2, QC9 QCM, QGR9, QH26, QHQ4, QMC6, QMC8, QMD6, QME4, QMX2, QWA4, QX2 QX4, QX9, QXE2, QXE5, QXEB, QXGB, QXU, QXWE, RH2, RHQ4, RX4 RXE2, S1CY, SCM, SD16, SG24, SHQ4, SHRY, SMC7, SMW2, SMX4, SMXE SSS2, SWX2, SX4, SXE5, SXS4, SXU, TX2, TX4, TXDU, UXU, VA2, VG25 VSD9, VXE9, WKS, WKT2, WMB0, WMT4
6	15625-Z0T-800	PACKING, OIL FILLER CAP•••••	1	1	1	1	1	1	-----	EMAN, EMAN/A, HH26, HH26/A, HHQ4, HX2, HX2/A, HX4, HX4/A, HXE8 HXE8/A, HXU, LHN4, LHN4/A, LHQ4, LX2, LX2/A, LX4, LX4/A LXM2, LXM2/A, LXU, PXU, PXU/A, QA2, QA2/A, QA26, QAX2, QAX4 QAX4/A, QBC2, QBM2, QBM2/A, QBT6, QC9, QC9/A, QCB2, QCL, QCM QCM/A, QGR9, QGR9/A, QH26, QH26/A, QHG4, QHG4/A, QHQ4, QHQ4/A QHQ4, QKA4, QMC6, QMC6/A, QMC8, QMC8/A, QMD6, QMD6/A, QME4 QME4/A, QMP4, QMX2, QMX2/A, QMXC, QMZ2, QNT, QNT4, QPU, QW24 QWA4, QWA4/A, QWW2, QWX2, QWX2/A, QX2, QX2/A, QX26, QX4, QX4/A QX7, QX9, QX9/A, QXC4, QXC9, QXE2, QXE2/A, QXE4, QXE5, QXE5/A QXE8, QXEB, QXF2, QXGB, QXM2, QXP2, QXS2, QXS2/A, QXU, QXU/A QXW, QXWE, QXWE/A, RH2, RH2/A, RHG4, RHG4/A, RHQ4, RHQ4/A RTB2, RX4, RX4/A, RXE2, RXE2/A, RXP2, RXU, RXU/A, S1CY, S1CY/A SCM, SCM/A, SD16, SD16/A, SG22, SG24, SG24/A, SHQ4, SHQ4/A SHQU, SHRY, SHRY/A, SMC7, SMC7/A, SMC9, SMC9/A, SMW2, SMW2/A SMX4, SMX4/A, SMXC, SMXE, SMXE/A, SSS2, SSS2/A, SWG4, SWG4/A SWX2, SWX2/A, SX2, SX4, SX4/A, SX7, SX9, SX9/A, SXE4, SXE5 SXE5/A, SXS, SXS2, SXS4, SXS4/A, SXU, SXU/A, TCS2, TW24, TX2 TX2/A, TX26, TX4, TX4/A, TXC9, TXDU, TXDU/A, TXU, UXU, UXU/A VA2, VA2/A, VCG, VCG/A, VES6, VES6/A, VG24, VG25, VG25/A, VG29 VGE2, VGE4, VGE5, VHA9, VHH4, VHH4/A, VMS4, VPM4, VPM5, VPM8 VPM9, VPMN, VPR4, VPR9, VS17, VS19, VSD, VSD1, VSD2, VSD7, VSD9 VSD9/A, VWA2, VWS, VWS1, VWS1/A, VWW2, VWWN, VWWN/A, VX2 VX2/A, VX4, VXE9, VXE9/A, VXU1, VXU1/A, VXW2, WKS, WKS/A, WKT2 WKT2/A, WKT4, WKT4, WKT6, WMB0, WMB0/A, WMT4, WMT4/A
			-	2	2	-	-	-	-----	SHCC, SHCC/A



E-6

CRANKCASE COVER



Ref. No.	Part No.	Description	Reqd. QTY						Serial No.	Parts catalogue code
			GX 160 UT1	GX 160 UT2	GX 160 UT2X	GX 160 RT1	GX 160 RT2	GX 160 RT2X		
7	91201-Z0T-801	OIL SEAL, 25X41X6(NOK).....	1	1	1	1	1	1	-----	EMAN, EMAN/A, HH26, HH26/A, HHQ4, HX2, HX2/A, HX4, HX4/A, HXE8 HXE8/A, HXU, PXU, PXU/A, QA2, QA2/A, QA26, QAX2, QAX4, QAX4/A QBC2, QBM2, QBM2/A, QBT6, QC9, QC9/A, QCB2, QCL, QCM, QCM/A QGR9, QGR9/A, QH26, QH26/A, QHG4, QHG4/A, QHQ4, QHQ4/A, QHQ4 QKA4, QMC6, QMC6/A, QMC8, QMC8/A, QMD6, QMD6/A, QME4, QME4/A QMP4, QMX2, QMX2/A, QMXC, QMZ2, QNT, QNT4, QPU, QW24, QWA4 QWA4/A, QWW2, QWX2, QWX2/A, QX2, QX2/A, QX26, QX4, QX4/A, QX7 QX9, QX9/A, QXC4, QXC9, QXE2, QXE2/A, QXE4, QXE5, QXE5/A, QXE8 QXEB, QXF2, QXGB, QXM2, QXP2, QXS2, QXS2/A, QXU, QXU/A, QXW QXWE, QXWE/A, RH2, RH2/A, RHG4, RHG4/A, RHQ4, RHQ4/A, RTB2 RX4, RX4/A, RXE2, RXE2/A, RXP2, RXU, RXU/A, S1CY, S1CY/A, SCM SCM/A, SD16, SD16/A, SG22, SG24, SG24/A, SHCC, SHCC/A, SHQ4 SHQ4/A, SHQU, SHRY, SHRY/A, SMC7, SMC7/A, SMC9, SMC9/A, SMW2 SMW2/A, SMX4, SMX4/A, SMXC, SMXE, SMXE/A, SSS2, SSS2/A, SWG4 SWG4/A, SWX2, SWX2/A, SX2, SX4, SX4/A, SX7, SX9, SX9/A, SXE4 SXE5, SXE5/A, SXS, SXS2, SXS4, SXS4/A, SXU, SXU/A, TCS2, TW24 TX2, TX2/A, TX26, TX4, TX4/A, TXC9, TXDU, TXDU/A, TXU, UXU UXU/A, VA2, VA2/A, VCG, VCG/A, VES6, VES6/A, VG24, VG25 VG25/A, VG29, VGE2, VGE4, VGE5, VHA9, VHH4, VHH4/A, VMS4, VPM4 VPM5, VPM8, VPM9, VPMN, VPR4, VPR9, VS17, VS19, VSD, VSD1, VSD2 VSD7, VSD9, VSD9/A, VWA2, VWS, VWS1, VWS1/A, VWW2, VWWN VWWN/A, VX2, VX2/A, VX4, VXE9, VXE9/A, VXU1, VXU1/A, VXW2, WKS WKS/A, WKT2, WKT2/A, WKT4, WKT4, WMB0, WMB0/A, WMT4, WMT4/A

E-6

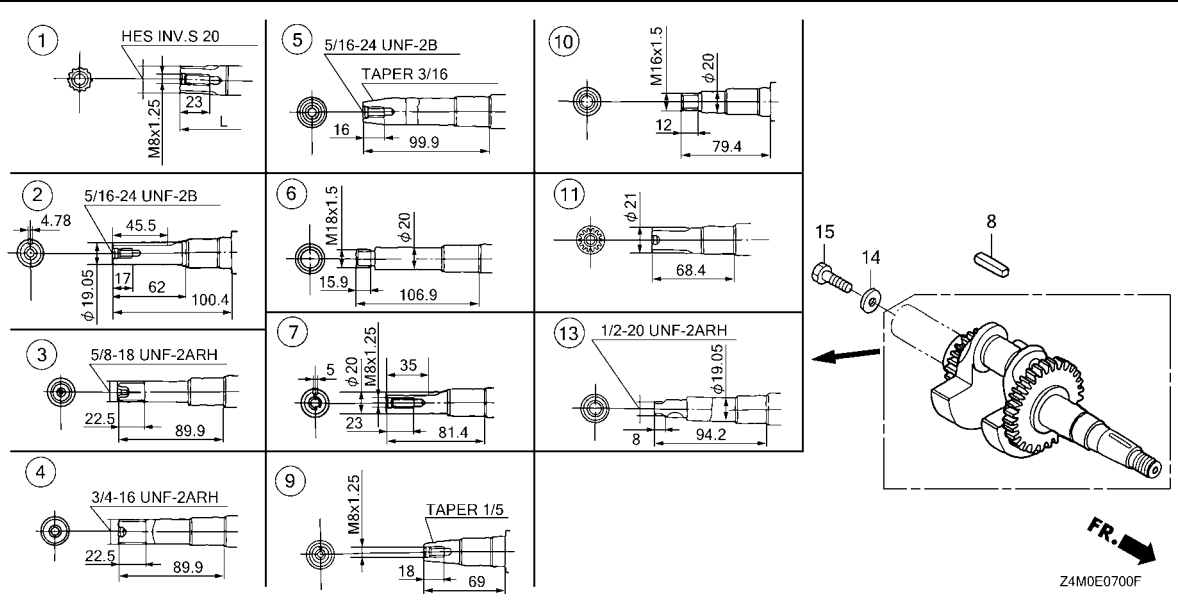
CRANKCASE COVER

Ref. No.	Part No.	Description	Reqd. QTY						Serial No.	Parts catalogue code
			GX 160 UT1	GX 160 UT2	GX 160 UT2X	GX 160 RT1	GX 160 RT2	GX 160 RT2X		
(7)	91202-Z1T-003	OIL SEAL, 25X41X6(ARAI).....	-	1	-	-	1	-	EMAN, EMAN/A, HH26, HH26/A, HX2, HX2/A, HX4, HX4/A, HXE8, HXE8/A, PXU, PXU/A, QA2, QA2/A, QAX4, QAX4/A, QBM2, QBM2/A, QC9, QC9/A, QCM, QCM/A, QGR9, QGR9/A, QH26, QH26/A, QHG4, QHG4/A, QHQ4, QHQ4/A, QMC6, QMC6/A, QMC8, QMC8/A, QMD6, QMD6/A, QME4, QME4/A, QMX2, QMX2/A, QMXC, QWA4, QWA4/A, QWX2, QWX2/A, QX2, QX2/A, QX4, QX4/A, QX9, QX9/A, QXC9, QXC9/A, QXE2, QXE2/A, QXE5, QXE5/A, QXS2, QXS2/A, QXU, QXU/A, QXWE, QXWE/A, RH2, RH2/A, RHG4, RHG4/A, RHQ4, RHQ4/A, RX4, RX4/A, RXE2, RXE2/A, RXU, RXU/A, S1CY, S1CY/A, SCM, SCM/A, SD16, SD16/A, SG24, SG24/A, SHCC, SHCC/A, SHQ4, SHQ4/A, SHRY, SHRY/A, SMC7, SMC7/A, SMC9, SMC9/A, SMW2, SMW2/A, SMX4, SMX4/A, SMXC, SMXE, SMXE/A, SSS2, SSS2/A, SWG4, SWG4/A, SWX2, SWX2/A, SX4, SX4/A, SX9, SX9/A, SXE5, SXE5/A, SXS4, SXS4/A, SXU, SXU/A, TX2, TX2/A, TX4, TX4/A, TXDU, TXDU/A, UXU, UXU/A, VA2, VA2/A, VCG, VCG/A, VES6, VES6/A, VG25, VG25/A, VG29, VHH4, VHH4/A, VSD9, VSD9/A, VWS1, VWS1/A, VWWN, VWWN/A, VX2, VX2/A, VXE9, VXE9/A, VXU1, VXU1/A, WKS, WKS/A, WKT2, WKT2/A, WMB0, WMB0/A, WMT4, WMT4/A	
8	94301-08140	DOWEL PIN, 8X14.....	2	2	2	2	2	2		
9	95701-08032-00	BOLT, FLANGE, 8X32.....	6	6	6	6	6	6		
10	96100-62050-00	BEARING, RADIAL BALL, 6205...	1	1	1	1	1	1		
11	15625-ZE1-003 15625-Z0T-800	PACKING, OIL FILLER CAP.....	1	-	-	1	-	-	HH26, QKA4, QXE5, QXWE, RHG4, SWG4, SXE5, TXC9	
		1	-	-	-	1	1	EMAN, EMAN/A, HHQ4, HX2, HX4, HXE8, HXU, LHQ4, LX2, LX26, LX4, LXU, PXU, QA2, QA26, QAX2, QAX4, QBC2, QBM2, QBT6, QCB2, QCL, QGR9, QH26, QHG4, QHG4/A, QHQ4, QHQ4, QMC6, QMC8, QMD6, QME4, QMP4, QM22, QNT, QNT4, QPU, QW24, QWA4, QWW2, QWX2, QX2, QX26, QX4, QX7, QX9, QXC4, QXC9, QXE2, QXE4, QXE8, QXF2, QXP2, QXS2, QXU, QXW, RH2, RHG4, RHG4/A, RHQ4, RTB2, RX4, RXE2, RXP2, RXU, SD16, SG22, SG24, SHQ4, SHQU, SMC7, SMC9, SSS2, SWG4, SWG4/A, SWX2, SX2, SX4, SX7, SX9, SXE4, SXS, SXS2, SXS4, SXU, TCS2, TW24, TX2, TX26, TX4, TXDU, TXU, UXU, VA2, VES6, VES6/A, VG24, VG29, VGE2, VGE4, VGE5, VHA9, VHH4, VHH4/A, VMS4, VPM4, VPM5, VPM8, VPM9, VPMN, VPR4, VPR9, VS17, VS19, VSD, VSD1, VSD2, VSD7, VSD9, VWA2, VWS, VWS1, VWS1/A, VWW2, VWWN, VWWN/A, VX2, VX4, VXE9, VXU1, VXW2, WKS, WKT2, WKT4, WKT6, WMB0	
			-	1	1	-	-	-	HH26, HH26/A, HHQ4, HX2, HX2/A, HX4, HX4/A, HXE8, HXE8/A, LHN4, LHN4/A, LHQ4, LX2, LX2/A, LX4, LX4/A, LXM2, LXM2/A, PXU, PXU/A, QA2, QA2/A, QAX2, QAX4, QAX4/A, QBC2, QBM2, QBM2/A, QC9, QC9/A, QCM, QCM/A, QGR9, QGR9/A, QH26, QH26/A, QHQ4, QHQ4/A, QMC6, QMC6/A, QMC8, QMC8/A, QMD6, QMD6/A, QME4, QME4/A, QMP4, QMX2, QMX2/A, QMXC, QPU, QWA4, QWA4/A, QWX2, QWX2/A, QX2, QX2/A, QX4, QX4/A, QX9, QX9/A, QXC9, QXE2, QXE2/A, QXE5, QXE5/A, QXE8, QXEB, QXGB, QXM2, QXS2, QXS2/A, QXU, QXU/A, QXWE, QXWE/A, RH2, RH2/A, RHQ4, RHQ4/A, RX4, RX4/A, RXE2, RXE2/A, RXU, RXU/A, S1CY, S1CY/A, SCM, SCM/A, SD16, SD16/A, SG24, SG24/A, SHQ4, SHQ4/A, SHRY, SHRY/A, SMC7, SMC7/A, SMC9, SMC9/A, SMW2, SMW2/A, SMX4, SMX4/A, SMXC, SMXE, SMXE/A, SSS2, SSS2/A, SWX2, SWX2/A, SX4, SX4/A, SX9, SX9/A, SXE5, SXE5/A, SXS4, SXS4/A, SXU, SXU/A, TX2, TX2/A, TX4, TX4/A, TXC9, TXDU, TXDU/A, UXU, UXU/A, VA2, VA2/A, VCG, VCG/A, VG25, VG25/A, VG29, VSD9, VSD9/A, VX2, VX2/A, VXE9, VXE9/A, VXU1, VXU1/A, WKS, WKS/A, WKT2, WKT2/A, WMB0, WMB0/A, WMT4, WMT4/A	
12	15600-Z0T-810	CAP ASSY., OIL FILLER(GAUGE) (GRAY)	-	1	1	-	-	-	SHCC, SHCC/A, SHRY/A	
			-	1	-	-	-	-	2258850 SHRY	
13	15600-Z0T-820	CAP ASSY., OIL FILLER(BLACK)	-	1	-	-	-	-	SHRY/A	
			-	1	-	-	-	-	2258850 SHRY	



E-7

CRANKSHAFT(1)



Ref. No.	L.O.N.	(Relative ref. Number) Description	F.R.T.
1	1101F0	(2,3,4,5,6,7,9,10,11,13) CRANKSHAFT	1.1



Ref. No.	Part No.	Description	Reqd. QTY						Serial No.	Parts catalogue code	
			GX 160 UT1	GX 160 UT2	GX 160 UT2X	GX 160 RT1	GX 160 RT2	GX 160 RT2X			
1	13310-ZE1-610	CRANKSHAFT COMP.(L=209.5)	1	-	-	-	-	-	2489302	LHQ4, LX2, LX26, LX4, LXU	
	13310-Z0T-610	CRANKSHAFT COMP.	1	-	-	-	-	-	2489303	LHQ4, LX2, LX26, LX4, LXU	
	13310-Z4M-610	CRANKSHAFT COMP.(L=209.5)	-	1	-	-	-	-	-	LHN4, LHQ4, LX2, LX4, LXM2	
2	13310-Z0T-800	CRANKSHAFT COMP.	1	-	-	-	-	-	-	QA2, QA26, QAX2, QAX4, QBC2, QBM2, QBT6, QCB2, QCL, QGR9, QH26, QHG4, QHQ4, QHQU, QKA4, QMC6, QMC8, QMD6, QME4, QMP4, QMZ2, QNT, QNT4, QPU, QW24, QWA4, QWW2, QWX2, QX2, QX26, QX4, QXC4, QXC9, QXE2, QXE4, QXE5, QXE8, QXF2, QXP2, QXS2, QXU, QXW, QXWE, QX7, QX9	
	13310-Z0T-900	1	-	-	-	-	-	-	QA2, QAX2, QAX4, QBC2, QBM2, QC9, QCM, QGR9, QH26, QHG4, QHQ4, QMC6, QMC8, QMD6, QME4, QMP4, QMX2, QPU, QWA4, QWX2, QX2, QX4, QXE2, QXE5, QXE8, QXM2, QXS2, QXU, QXWE	
	13310-Z4M-800	-	1	-	-	-	1	-	QA2, QAX2, QAX4, QBC2, QBM2, QC9, QCM, QGR9, QH26, QHG4, QHQ4, QMC6, QMC8, QMD6, QME4, QMP4, QMX2, QPU, QWA4, QWX2, QX2, QX4, QXE2, QXE5, QXE8, QXM2, QXS2, QXU, QXWE, QX9	
	13310-Z4M-900	-	1	-	-	-	-	-	4000000	QMXC, QXC9
	13310-Z4M-800	-	1	-	-	-	-	-	-	TCS2, TW24, TX2, TX26, TX4, TXDU, TXU
3	13310-Z0T-830	CRANKSHAFT COMP.	1	-	-	-	-	-	-	-	TXC9
	13310-ZE1-660	1	-	-	-	-	-	-	-	TX2, TX4, TXC9, TXDU
	13310-Z4M-830	CRANKSHAFT COMP.(L=196)	-	1	-	-	-	-	-	-	-
4	13310-Z0T-840	CRANKSHAFT COMP.	1	-	-	-	-	-	-	-	PXU
	13310-Z4M-840	-	1	-	-	-	-	-	-	PXU
5	13310-Z0T-850	CRANKSHAFT COMP.	1	-	-	-	-	-	-	-	VA2, VGE2, VGE4, VGE5, VHH4, VMS4, VPM4, VPM5, VPMN, VPR4, VSD, VSD1, VWA2, VWW2, VWWN, VX2, VX4, VXU1, VXW2
	13310-Z0T-950	1	-	-	-	-	-	-	-	VHA9, VPM8, VPM9, VPR9, VS17, VS19, VSD2, VSD7, VSD9, VXE9
	13310-Z4M-850	-	1	-	-	-	1	-	-	VA2, VGE4, VGE5, VHH4, VPM5, VWS, VWS1, VWWN, VX2, VXU1
	13310-Z4M-950	-	1	-	-	-	1	-	-	VS19, VSD9, VXE9
6	13310-Z0T-860	CRANKSHAFT COMP.	1	-	-	-	-	-	-	-	WKT2, WKT4, WKT6, WMB0
	13310-Z4M-860	-	1	-	-	-	-	-	-	WKT2, WMB0, WMT4
7	13310-Z0T-880	CRANKSHAFT COMP.	1	-	-	1	-	-	-	-	RH2, RHG4, RHQ4, RTB2, RX4, RXE2, RXP2, RXU, SD16, SG22, SG24, SHQ4, SHQU, SMC7, SMC9, SSS2, SWG4, SWX2, SX2, SX4, SXE4, SXE5, SXS2, SXS4, SXU

E-7

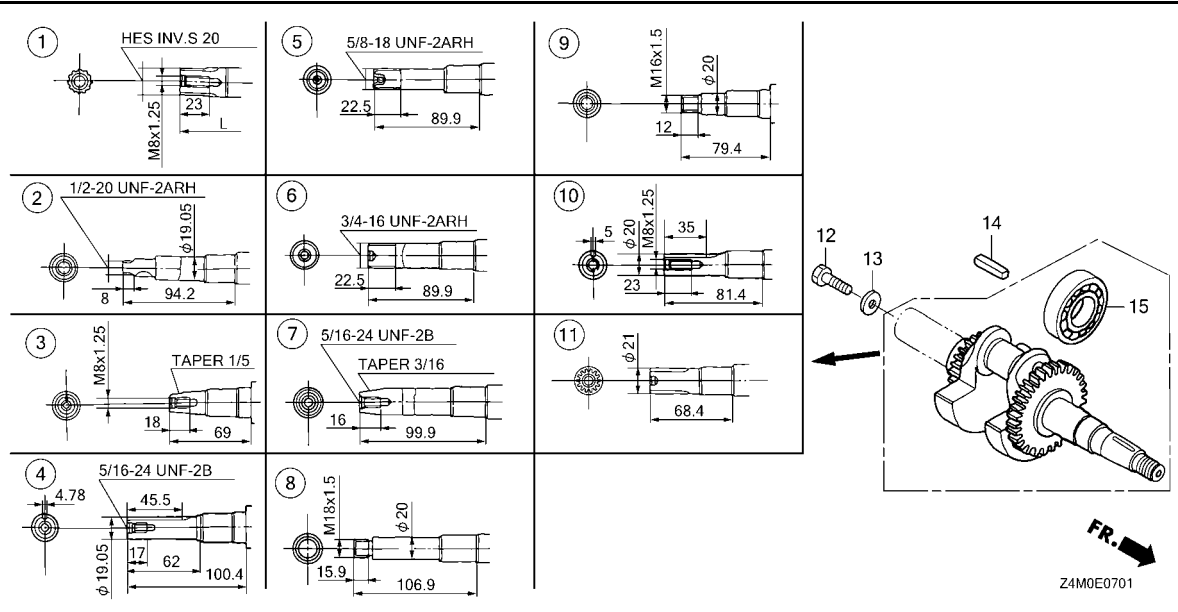
CRANKSHAFT(1)

Ref. No.	Part No.	Description	Reqd. QTY						Serial No.	Parts catalogue code
			GX 160 UT1	GX 160 UT2	GX 160 UT2X	GX 160 RT1	GX 160 RT2	GX 160 RT2X		
(7)	13310-Z0T-980	CRANKSHAFT COMP.	1	-	-	-	-	-	-----	SX7, SX9, SXS
	13310-Z4M-880	-	1	-	-	1	-	-----	RH2, RHG4, RHQ4, RX4, RXE2, RXU, S1CY, SCM, SD16, SG24, SHCC SHQ4, SHRY, SMC7, SMC9, SMW2, SMX4, SMXE, SSX2, SWG4, SWX2, SX4 SXE5, SXS4, SXU
	13310-Z4M-980	-	1	-	-	-	-	-----	SX9
	13310-Z4M-880	-	1	-	-	-	-	4000000	SMXC
8	90741-883-810	KEY, 5X5X33(YELLOW).....	1	-	-	1	-	-	-----	SD16, SG22, SG24, SHQ4, SHQU, SMC7, SMC9, SSX2, SWG4, SWX2, SX2 SX4, SX7, SX9, SXE4, SXE5, SXS, SXS2, SXS4, SXU
	90745-ZE1-600	KEY, 4.78X4.78X38	1	-	-	-	-	-	-----	QA2, QA26, QAX2, QAX4, QBC2, QBM2, QBT6, QCB2, QCL, QGR9, QH26 QKA4, QMC6, QMC8, QMD6, QMZ2, QNT, QNT4, QPU, QW24, QWA4, QWW2 QWX2, QX2, QX26, QX4, QX7, QX9, QXC4, QXC9, QXE2, QXE4, QXE5 QXE8, QXF2, QXP2, QXS2, QXU, QXW, QXWE
	90741-883-810	KEY, 5X5X33(YELLOW).....	-	1	-	-	1	-	-----	QA2, QAX2, QAX4, QBC2, QBM2, QC9, QCM, QGR9, QH26, QHG4, QHQ4 QMC6, QMC8, QMD6, QME4, QMP4, QMX2, QPU, QWA4, QWX2, QX2, QX4 QX9, QXE2, QXE5, QXE8, QXM2, QXS2, QXU, QXWE
	90745-ZE1-600	KEY, 4.78X4.78X38	-	1	-	-	-	-	4000000	QMXC, QXC9
	90741-883-810	KEY, 5X5X33(YELLOW).....	-	1	-	-	-	-	4000000	SMXC
			-	-	-	-	1	-	-----	RHG4, SWG4
9	13310-ZB2-000	CRANKSHAFT COMP.	1	-	-	-	-	-	-----	VG24
	13310-Z0T-680	1	-	-	-	-	-	-----	VG29
	13310-Z4M-680	-	1	-	-	1	-	-----	EMAN, VCG, VES6, VG25
			-	1	-	-	-	-	4000000	VG29
10	13310-Z0T-870	CRANKSHAFT COMP.	1	-	-	-	-	-	-----	WKS
	13310-Z4M-870	-	1	-	-	-	-	-----	WKS
11	13310-ZE1-622	CRANKSHAFT COMP.	1	-	-	-	-	-	-----	HH26
	13310-Z4X-620	CRANKSHAFT COMP.(H-TYPE).....	1	-	-	-	-	-	-----	HHQ4, HX2, HX4, HXE8, HXU
			-	1	-	-	-	-	-----	HH26, HHQ4, HX2, HX4, HXE8
13	13310-Z0T-640	CRANKSHAFT COMP.	1	-	-	-	-	-	-----	UXU
	13310-Z4M-640	-	1	-	-	-	-	-----	UXU
14	90473-842-000	WASHER, 8MM.....	1	1	-	-	-	-	-----	QCM, QMX2, S1CY, SCM, SHCC, SHRY, SMW2, SMX4, SMXE, SSX2
			-	1	-	-	-	-	4000000	QMXC, SMXC
15	92101-08025-0A	BOLT, HEX., 8X25.....	1	-	-	-	-	-	-----	SSX2
	90003-ZE1-000	BOLT, HEX., 5/16".....	-	1	-	-	-	-	-----	QCM, QMX2
	92101-08025-0A	BOLT, HEX., 8X25.....	-	1	-	-	-	-	-----	SCM, SHCC
	90003-ZE1-000	BOLT, HEX., 5/16".....	-	1	-	-	-	-	4000000	QMXC
	92101-08025-0A	BOLT, HEX., 8X25.....	-	1	-	-	-	-	4000000	SMXC



E-7-1

CRANKSHAFT(2)



Ref. No.	L.O.N.	(Relative ref. Number) Description	F.R.T.
1	1101U9	(2,3,4,5,6,7,8,9,10,11,15) CRANKSHAFT(A)	1.9

Ref. No.	Part No.	Description	Reqd. QTY						Serial No.	Parts catalogue code
			GX 160 UT1	GX 160 UT2	GX 160 UT2X	GX 160 RT1	GX 160 RT2	GX 160 RT2X		
1	13310-Z4M-630	CRANKSHAFT COMP.(L=209.5)	-	1	-	-	-	-	LHN4/A, LX2/A, LX4/A, LXM2/A LX2, LX4, LXM2	
2	13310-Z4M-641	CRANKSHAFT COMP.	-	1	-	-	-	-	UXU/A UXU	
3	13310-Z4M-681	CRANKSHAFT COMP.	-	1	-	-	1	-	EMAN/A, VCG/A, VES6/A, VG25/A 4000001 VG29 VG25	
4	13310-Z4M-801	CRANKSHAFT COMP.	-	1	-	-	1	-	EMAN, VES6 QA2/A, QAX4/A, QBM2/A, QC9/A, QCM/A, QGR9/A, QH26/A, QHG4/A QH4/A, QMC6/A, QMC8/A, QMD6/A, QME4/A, QMX2/A, QWA4/A QWX2/A, QX2/A, QX4/A, QXE2/A, QXE5/A, QXEB, QXGB, QXS2/A QXU/A, QXWE/A	
	13310-Z4M-901	-	1	-	-	-	-	QX9/A	
	13310-Z4M-801	-	1	-	-	-	4000001	QMXC, QXC9 QA2, QAX4, QBM2, QC9, QCM, QGR9, QH26, QH4, QMC6, QMC8, QMD6 QME4, QMX2, QWA4, QX2, QX4, QXE2, QXE5, QXEB, QXGB, QXU, QXWE	
	13310-Z4M-901	-	-	1	-	-	-	QX9	
	13310-Z4M-801	-	-	-	-	1	-	QH4	
5	13310-Z4M-831	CRANKSHAFT COMP.(L=196)	-	1	-	-	-	-	TX2/A, TX4/A, TXDU/A TX2, TX4, TXDU	
		-	-	1	-	-	-		
6	13310-Z4M-841	CRANKSHAFT COMP.	-	1	-	-	-	-	PXU/A PXU	
		-	-	1	-	-	-		
7	13310-Z4M-851	CRANKSHAFT COMP.	-	1	-	-	1	-	VA2/A, VHH4/A, VWS1/A, VWWN/A, VX2/A, VXU1/A	
	13310-Z4M-951	-	1	-	-	-	-	VSD9/A, VXE9/A	
	13310-Z4M-851	-	-	1	-	-	-	VA2	
	13310-Z4M-951	-	-	1	-	-	-	VSD9, VXE9	
	13310-Z4M-851	-	-	-	-	1	-	VWS1, VWWN	

2

E-7-1

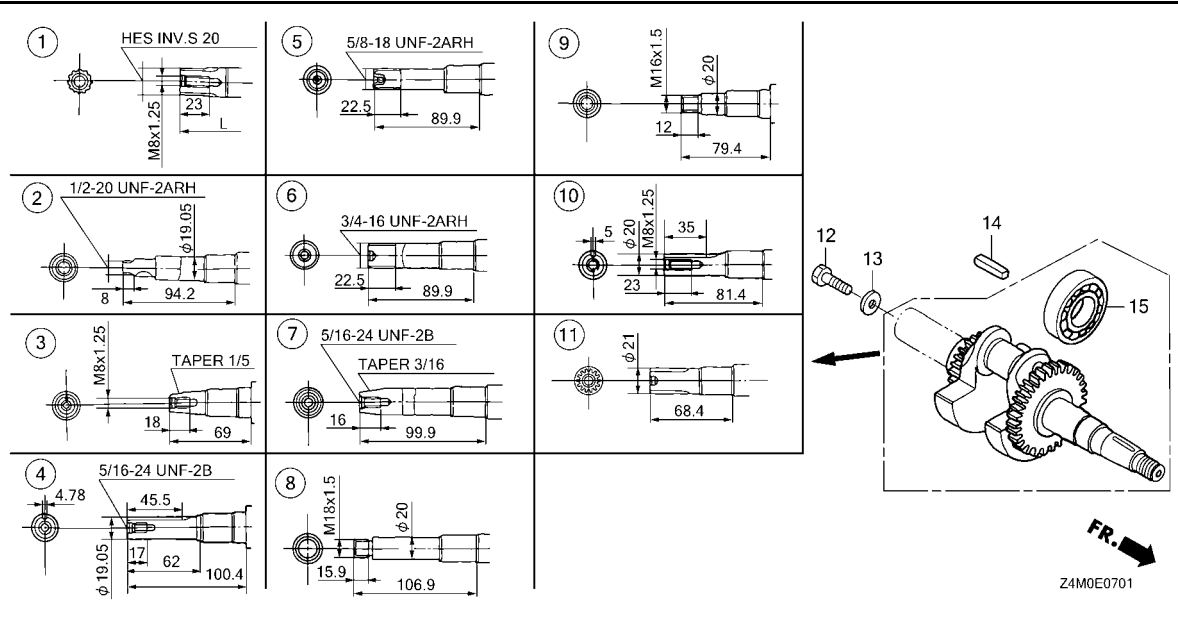
CRANKSHAFT(2)

Ref. No.	Part No.	Description	Reqd. QTY						Serial No.	Parts catalogue code	
			GX 160 UT1	GX 160 UT2	GX 160 UT2X	GX 160 RT1	GX 160 RT2	GX 160 RT2X			
8	13310-Z4M-861	CRANKSHAFT COMP.	-	1	-	-	-	-	-----	WKT2/A, WMB0/A, WMT4/A	
			-	-	1	-	-	-	-----	WKT2, WMB0, WMT4	
9	13310-Z4M-871	CRANKSHAFT COMP.	-	1	-	-	-	-	-----	WKS/A	
			-	-	1	-	-	-	-----	WKS	
10	13310-Z4M-881	CRANKSHAFT COMP.	-	1	1	-	1	1	-----	RH2, RH2/A, RHG4, RHG4/A, RHQ4, RHQ4/A, RX4, RX4/A, RXE2 RXE2/A, RXU/A, S1CY, S1CY/A, SCM, SCM/A, SD16, SD16/A, SG24 SG24/A, SHCC, SHCC/A, SHQ4, SHQ4/A, SHRY, SHRY/A, SMC7 SMC7/A, SMC9, SMC9/A, SMW2, SMW2/A, SMX4, SMX4/A, SMXE SMXE/A, SSX2, SSX2/A, SWG4/A, SWX2, SWX2/A, SX4, SX4/A, SXE5 SXE5/A, SXS4, SXS4/A, SXU, SXU/A	
	13310-Z4M-981	-	1	-	-	-	-	-----	SX9/A	
	13310-Z4M-881	-	1	-	-	-	-	4000001	-----	SMXC
11	13310-Z4X-621	CRANKSHAFT COMP.(H-TYPE).....	-	1	-	-	-	-	-----	HH26/A, HX2/A, HX4/A, HXE8/A	
			-	-	1	-	-	-	-----	HH26, HX2, HX4, HXE8	
12	90003-ZE1-000	BOLT, HEX., 5/16"	-	1	-	-	-	-	-----	QCM/A, QMX2/A	
	92101-08025-0A	BOLT, HEX., 8X25	-	1	-	-	-	-	-----	SCM/A, SHCC/A	
	90003-ZE1-000	BOLT, HEX., 5/16"	-	1	-	-	-	-	4000001	-----	QMXC
	92101-08025-0A	BOLT, HEX., 8X25	-	1	-	-	-	-	4000001	-----	SMXC
	90003-ZE1-000	BOLT, HEX., 5/16"	-	-	1	-	-	-	-----	QCM, QMX2	
13	90473-842-000	WASHER, 8MM	-	1	-	-	-	-	-----	QCM/A, QMX2/A, S1CY/A, SCM/A, SHCC/A, SHRY/A, SMW2/A, SMX4/A SMXE/A, SSX2/A	
			-	1	-	-	-	-	4000001	-----	QMXC, SMXC
			-	-	1	-	-	-	-----	QCM, QMX2, S1CY, SCM, SHCC, SHRY, SMW2, SMX4, SMXE, SSX2	
14	90741-883-810	KEY, 5X5X33(YELLOW)	-	1	-	-	1	-	-----	S1CY/A, SCM/A, SD16/A, SG24/A, SHCC/A, SHQ4/A, SHRY/A SMC7/A, SMC9/A, SMW2/A, SMX4/A, SMXE/A, SSX2/A, SWG4/A SWX2/A, SX4/A, SX9/A, SXE5/A, SXS4/A, SXU/A	
	90745-ZE1-600	KEY, 4.78X4.78X38	-	1	-	-	-	-	-----	QA2/A, QAX4/A, QBM2/A, QC9/A, QCM/A, QGR9/A, QH26/A, QMC6/A QMC8/A, QMD6/A, QMX2/A, QWA4/A, QWX2/A, QX2/A, QX4/A, QX9/A QXE2/A, QXE5/A, QXEB, QXGB, QXS2/A, QXU/A, QXWE/A	
			-	1	-	-	-	-	4000001	-----	QMXC, QXC9
	90741-883-810	KEY, 5X5X33(YELLOW)	-	1	-	-	-	-	4000001	-----	SMXC
	90745-ZE1-600	KEY, 4.78X4.78X38	-	-	1	-	-	-	-----	QA2, QAX4, QBM2, QC9, QCM, QGR9, QH26, QMC6, QMC8, QMD6, QMX2 QWA4, QX2, QX4, QX9, QXE2, QXE5, QXEB, QXGB, QXU, QXWE	
	90741-883-810	KEY, 5X5X33(YELLOW)	-	-	1	-	-	-	-----	S1CY, SCM, SD16, SG24, SHCC, SHQ4, SHRY, SMC7, SMW2, SMX4, SMXE SSX2, SWX2, SX4, SXE5, SXS4, SXU	
15	91001-Z4X-003	BEARING, RADIAL BALL(6205) (NSK)	-	1	-	-	1	-	-----	EMAN/A, HH26/A, HX2/A, HX4/A, HXE8/A, LHN4/A, LX2/A, LX4/A LXM2/A, PXU/A, QA2/A, QAX4/A, QBM2/A, QC9/A, QCM/A, QGR9/A QH26/A, QHG4/A, QHQ4/A, QMC6/A, QMC8/A, QMD6/A, QME4/A QMX2/A, QWA4/A, QWX2/A, QX2/A, QX4/A, QX9/A, QXE2/A, QXE5/A QXEB, QXGB, QXS2/A, QXU/A, QXWE/A, RH2, RH2/A, RHG4, RHG4/A RHQ4, RHQ4/A, RX4, RX4/A, RXE2, RXE2/A, RXU/A, S1CY, S1CY/A SCM, SCM/A, SD16, SD16/A, SG24, SG24/A, SHCC, SHCC/A, SHQ4 SHQ4/A, SHRY, SHRY/A, SMC7, SMC7/A, SMC9, SMC9/A, SMW2 SMW2/A, SMX4, SMX4/A, SMXE, SMXE/A, SSX2, SSX2/A, SWG4/A SWX2, SWX2/A, SX4, SX4/A, SX9/A, SXE5, SXE5/A, SXS4, SXS4/A SXU, SXU/A, TX2/A, TX4/A, TXDU/A, UXU/A, VA2/A, VCG/A, VES6/A VG25/A, VHH4/A, VSD9/A, VWS1/A, VWWN/A, VX2/A, VXE9/A VXU1/A, WKS/A, WKT2/A, WMB0/A, WMT4/A	



E-7-1

CRANKSHAFT(2)

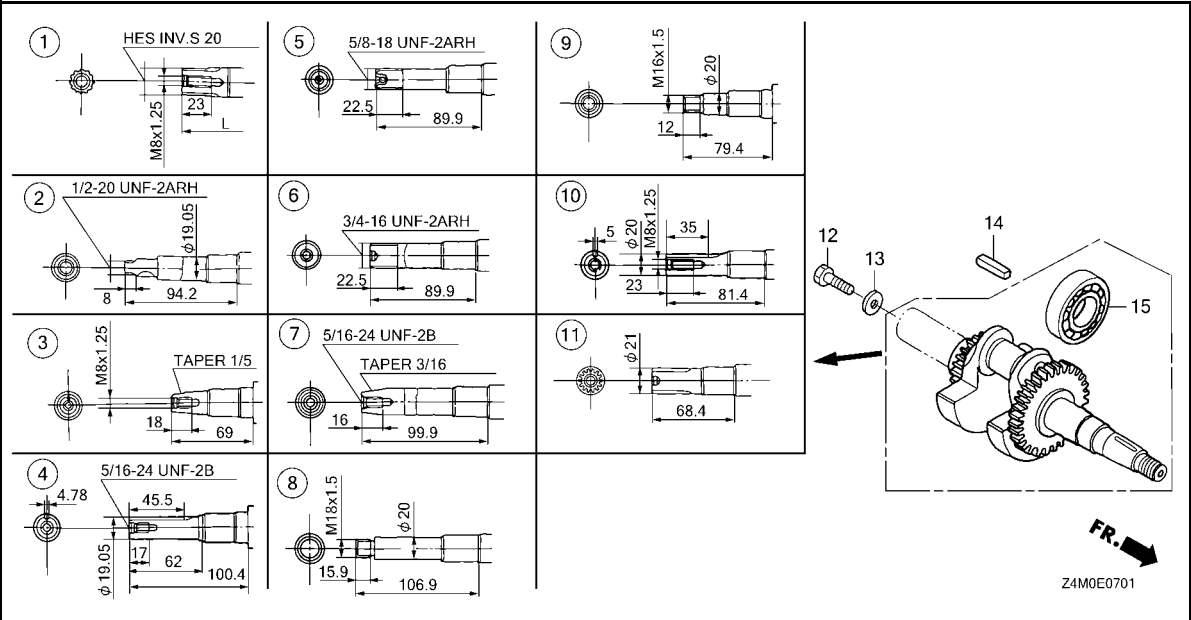


Ref. No.	Part No.	Description	Reqd. QTY						Serial No.	Parts catalogue code
			GX UT1	GX UT2	GX UT2X	GX RT1	GX RT2	GX RT2X		
15)	91001-ZF1-003	BEARING, RADIAL BALL(6205TMB) (NTN)	-	1	-	-	1	-	EMAN/A, HH26/A, HX2/A, HX4/A, HXE8/A, LHN4/A, LX2/A, LX4/A, LXM2/A, PXU/A, QA2/A, QAX4/A, QBM2/A, QC9/A, QCM/A, QGR9/A, QH26/A, QHG4/A, QHQ4/A, QMC6/A, QMC8/A, QMD6/A, QME4/A, QMX2/A, QWA4/A, QWX2/A, QX2/A, QX4/A, QX9/A, QXE2/A, QXE5/A, QXEB, QXGB, QXS2/A, QXU/A, QXWE/A, RH2, RH2/A, RHG4, RHG4/A, RHQ4, RHQ4/A, RX4, RX4/A, RXE2, RXE2/A, RXU/A, S1CY, S1CY/A, SCM, SCM/A, SD16, SD16/A, SG24, SG24/A, SHCC, SHCC/A, SHQ4, SHQ4/A, SHRY, SHRY/A, SMC7, SMC7/A, SMC9, SMC9/A, SMW2, SMW2/A, SMX4, SMX4/A, SMXE, SMXE/A, SSX2, SSX2/A, SWG4/A, SWX2, SWX2/A, SX4, SX4/A, SX9/A, SXE5, SXE5/A, SXS4, SXS4/A, SXU, SXU/A, TX2/A, TX4/A, TXDU/A, UXU/A, VA2/A, VCG/A, VES6/A, VG25/A, VHH4/A, VSD9/A, VWS1/A, VWWN/A, VX2/A, VXE9/A, VXU1/A, WKS/A, WKT2/A, WMB0/A, WMT4/A	
	91001-ZF1-004	BEARING, RADIAL BALL(6205SH) (KOYO)	-	1	-	-	1	-	EMAN/A, HH26/A, HX2/A, HX4/A, HXE8/A, LHN4/A, LX2/A, LX4/A, LXM2/A, PXU/A, QA2/A, QAX4/A, QBM2/A, QC9/A, QCM/A, QGR9/A, QH26/A, QHG4/A, QHQ4/A, QMC6/A, QMC8/A, QMD6/A, QME4/A, QMX2/A, QWA4/A, QWX2/A, QX2/A, QX4/A, QX9/A, QXE2/A, QXE5/A, QXEB, QXGB, QXS2/A, QXU/A, QXWE/A, RH2, RH2/A, RHG4, RHG4/A, RHQ4, RHQ4/A, RX4, RX4/A, RXE2, RXE2/A, RXU/A, S1CY, S1CY/A, SCM, SCM/A, SD16, SD16/A, SG24, SG24/A, SHCC, SHCC/A, SHQ4, SHQ4/A, SHRY, SHRY/A, SMC7, SMC7/A, SMC9, SMC9/A, SMW2, SMW2/A, SMX4, SMX4/A, SMXE, SMXE/A, SSX2, SSX2/A, SWG4/A, SWX2, SWX2/A, SX4, SX4/A, SX9/A, SXE5, SXE5/A, SXS4, SXS4/A, SXU, SXU/A, TX2/A, TX4/A, TXDU/A, UXU/A, VA2/A, VCG/A, VES6/A, VG25/A, VHH4/A, VSD9/A, VWS1/A, VWWN/A, VX2/A, VXE9/A, VXU1/A, WKS/A, WKT2/A, WMB0/A, WMT4/A	

2

E-7-1

CRANKSHAFT(2)

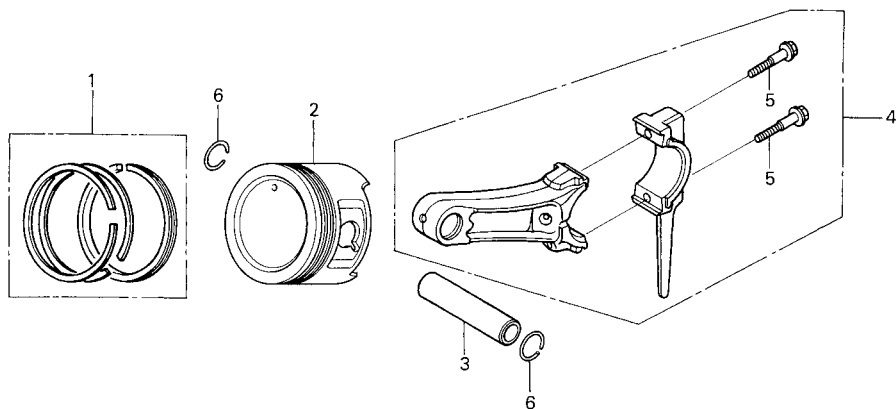


Ref. No.	Part No.	Description	Reqd. QTY						Serial No.	Parts catalogue code
			GX 160 UT1	GX 160 UT2	GX 160 UT2X	GX 160 RT1	GX 160 RT2	GX 160 RT2X		
15)	91001-Z4X-003	BEARING, RADIAL BALL(6205)	-	1	-	-	-	-	4000001	----- QMXC,QXC9,SMXC,VG29
	91001-ZF1-003	BEARING, RADIAL BALL(6205TMB)	-	1	-	-	-	-	4000001	----- QMXC,QXC9,SMXC,VG29
	91001-ZF1-004	BEARING, RADIAL BALL(6205SH)	-	1	-	-	-	-	4000001	----- QMXC,QXC9,SMXC,VG29
	91001-Z4X-003	BEARING, RADIAL BALL(6205)	-	-	1	-	-	1		
	91001-ZF1-003	BEARING, RADIAL BALL(6205TMB)	-	-	1	-	-	1		
	91001-ZF1-004	BEARING, RADIAL BALL(6205SH)	-	-	1	-	-	1		



E-8

PISTON



Z4M0-E0800

Ref. No.	L.O.N.	(Relative ref. Number) Description	F.R.T.
2	(1,3,4)	PISTON AND/OR RING SET AND/OR BEARING AND/OR ROD	1.1
1111R1		.INCLUDES: Inspection/ Measurement/Cleaning	

Ref. No.	Part No.	Description	Reqd. QTY						Serial No.	Parts catalogue code
			GX 160 UT1	GX 160 UT2	GX 160 UT2X	GX 160 RT1	GX 160 RT2	GX 160 RT2X		
1	13010-Z4K-004	RING SET, PISTON(STD.)(TPR) ..	1	-	-	1	-	-	-----	HH26, HHQ4, HX2, HX4, HXE8, HXU, QAX2, QAX4, QBM2, QHG4, QHQU, QKA4, QNT4, QXC4, QXC9, QXE4, QXE5, QXE8, QXP2, QXW, QXWE, RH2, RHG4, RHQ4, RTB2, RX4, RXE2, RXP2, RXU, SG22, SHQU, SSX2, SWG4, SX2, SXE4, SXE5, SXS, SXS2, TXC9, TXDU, UXU, VG29, VGE2, VPMN, VSD2, VVWN, WMB0
	13011-Z4K-004	RING SET, PISTON(0.25)(TPR) ..	(1)	-	-	(1)	-	-	-----	HHQ4, HX4, HXE8, HXU, QHG4, QKA4, QNT4, QXE4, QXE8, QXW, RHQ4, RX4, RXU, SSX2, SWG4, SXE4, TXDU, UXU, VG29, WMB0
	13012-Z4K-004	RING SET, PISTON(0.50)(TPR) ..	(1)	-	-	(1)	-	-	-----	HHQ4, HX4, HXE8, HXU, QHG4, QKA4, QNT4, QXE4, QXE8, QXW, RHQ4, RX4, RXU, SSX2, SWG4, SXE4, TXDU, UXU, VG29, WMB0
	13013-Z4K-004	RING SET, PISTON(0.75)(TPR) ..	(1)	-	-	(1)	-	-	-----	HHQ4, HX4, HXE8, HXU, QHG4, QKA4, QNT4, QXE4, QXE8, QXW, RHQ4, RX4, RXU, SSX2, SWG4, SXE4, TXDU, UXU, VG29, WMB0
	13010-Z4M-003	RING SET, PISTON(STD.)(RIKEN)	1	-	-	-	-	-	-----	QAX4, QBM2, QHG4, QHQU, QXC4, QXP2, SG22, SHQU, SX2, SXS, SXS2, TXDU, VGE2, VPMN, VSD2, VVWN
	13011-Z4M-003	RING SET, PISTON(0.25)(RIKEN)	(1)	-	-	-	-	-	-----	QHG4, TXDU
	13012-Z4M-003	RING SET, PISTON(0.50)(RIKEN)	(1)	-	-	-	-	-	-----	QHG4, TXDU
	13013-Z4M-003	RING SET, PISTON(0.75)(RIKEN)	(1)	-	-	-	-	-	-----	QHG4, TXDU
	13010-Z0T-801	RING SET, PISTON(STD.)(RIKEN)	1	-	-	-	-	-	1699489	LHQ4, LX2, LX26, LX4, LXU, PXU, QA2, QA26, QBC2, QBT6, QCB2, QCL, QGR9, QH26, QHQ4, QMC6, QMC8, QMD6, QME4, QMP4, QM22, QNT, QPU, QW24, QWA4, QWW2, QWX2, QX2, QX26, QX4, QX7, QX9, QXE2, QXF2, QXS2, QXU, SD16, SG24, SHQ4, SMC7, SMC9, SWX2, SX4, SX7, SX9, SXS4, SXU, TCS2, TW24, TX2, TX26, TX4, TXU, VA2, VG24, VGE4, VGE5, VHA9, VHH4, VMS4, VPM4, VPM5, VPM8, VPM9, VPR4, VPR9, VS17, VS19, VSD, VSD1, VSD7, VSD9, VWA2, VWW2, VX2, VX4, VXE9, VXU1, VXX2, WKS, WKT2, WKT4, WKT6

2

E-8

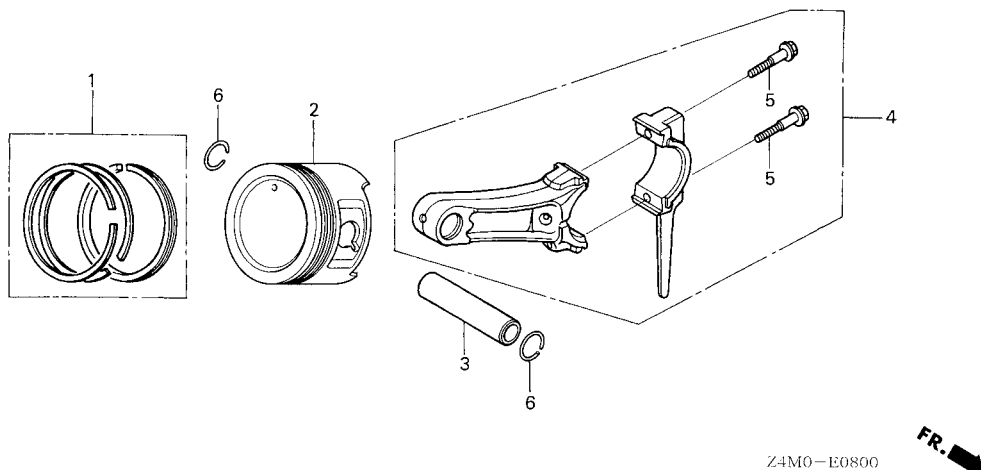
PISTON

Ref. No.	Part No.	Description	Reqd. QTY						Serial No.	Parts catalogue code
			GX 160 UT1	GX 160 UT2	GX 160 UT2X	GX 160 RT1	GX 160 RT2	GX 160 RT2X		
(1)	13011-Z0T-801	RING SET, PISTON(0.25)(RIKEN)	(1)	-	-	-	-	-	1699489	LHQ4, LX2, LX26, LX4, LXU, PXU, QA2, QA26, QBC2, QBT6, QCB2, QCL QGR9, QH26, QHQ4, QMC6, QMC8, QMD6, QME4, QMP4, QM22, QNT, QPU QW24, QWA4, QWW2, QWX2, QX2, QX26, QX4, QX7, QX9, QXE2, QXF2 QXS2, QXU, SD16, SG24, SHQ4, SMC7, SMC9, SWX2, SX4, SX7, SX9 SXS4, SXU, TCS2, TW24, TX2, TX26, TX4, TXU, VA2, VG24, VGE4 VGE5, VHA9, VHH4, VMS4, VPM4, VPM5, VPM8, VPM9, VPR4, VPR9 VS17, VS19, VSD, VSD1, VSD7, VSD9, VWA2, VWW2, VX2, VX4, VXE9 VXU1, VXW2, WKS, WKT2, WKT4, WKT6
	13012-Z0T-801	RING SET, PISTON(0.50)(RIKEN)	(1)	-	-	-	-	-	1699489	LHQ4, LX2, LX26, LX4, LXU, PXU, QA2, QA26, QBC2, QBT6, QCB2, QCL QGR9, QH26, QHQ4, QMC6, QMC8, QMD6, QME4, QMP4, QM22, QNT, QPU QW24, QWA4, QWW2, QWX2, QX2, QX26, QX4, QX7, QX9, QXE2, QXF2 QXS2, QXU, SD16, SG24, SHQ4, SMC7, SMC9, SWX2, SX4, SX7, SX9 SXS4, SXU, TCS2, TW24, TX2, TX26, TX4, TXU, VA2, VG24, VGE4 VGE5, VHA9, VHH4, VMS4, VPM4, VPM5, VPM8, VPM9, VPR4, VPR9 VS17, VS19, VSD, VSD1, VSD7, VSD9, VWA2, VWW2, VX2, VX4, VXE9 VXU1, VXW2, WKS, WKT2, WKT4, WKT6
	13013-Z0T-801	RING SET, PISTON(0.75)(RIKEN)	(1)	-	-	-	-	-	1699489	LHQ4, LX2, LX26, LX4, LXU, PXU, QA2, QA26, QBC2, QBT6, QCB2, QCL QGR9, QH26, QHQ4, QMC6, QMC8, QMD6, QME4, QMP4, QM22, QNT, QPU QW24, QWA4, QWW2, QWX2, QX2, QX26, QX4, QX7, QX9, QXE2, QXF2 QXS2, QXU, SD16, SG24, SHQ4, SMC7, SMC9, SWX2, SX4, SX7, SX9 SXS4, SXU, TCS2, TW24, TX2, TX26, TX4, TXU, VA2, VG24, VGE4 VGE5, VHA9, VHH4, VMS4, VPM4, VPM5, VPM8, VPM9, VPR4, VPR9 VS17, VS19, VSD, VSD1, VSD7, VSD9, VWA2, VWW2, VX2, VX4, VXE9 VXU1, VXW2, WKS, WKT2, WKT4, WKT6
	13013-ZL0-003	RING SET, PISTON(0.75) (TEIKOKU)	(1)	-	-	-	-	-	1699489	PXU, QHQ4, QME4, QX4, QXU, SHQ4, SX4, SXS4, SXU, TXU, VSD, VX4 VXU1
	13013-ZL0-004	RING SET, PISTON(0.75)(NIPPON)	(1)	-	-	-	-	-	1699489	PXU, QHQ4, QME4, QX4, QXU, SHQ4, SX4, SXS4, SXU, TXU, VSD, VX4 VXU1
	13010-Z4K-004	RING SET, PISTON(STD.)(TPR)··	1	-	-	-	-	-	1699490	LHQ4, LX2, LX26, LX4, LXU, PXU, QA2, QA26, QBC2, QBT6, QCB2, QCL QGR9, QH26, QHQ4, QMC6, QMC8, QMD6, QME4, QMP4, QM22, QNT, QPU QW24, QWA4, QWW2, QWX2, QX2, QX26, QX4, QX7, QX9, QXE2, QXF2 QXS2, QXU, SD16, SG24, SHQ4, SMC7, SMC9, SWX2, SX4, SX7, SX9 SXS4, SXU, TCS2, TW24, TX2, TX26, TX4, TXU, VA2, VG24, VGE4 VGE5, VHA9, VHH4, VMS4, VPM4, VPM5, VPM8, VPM9, VPR4, VPR9 VS17, VS19, VSD, VSD1, VSD7, VSD9, VWA2, VWW2, VX2, VX4, VXE9 VXU1, VXW2, WKS, WKT2, WKT4, WKT6
	13010-Z4M-003	RING SET, PISTON(STD.)(RIKEN)	1	-	-	-	-	-	1699490	LHQ4, LX2, LX26, LX4, LXU, PXU, QA2, QA26, QBC2, QBT6, QCB2, QCL QGR9, QH26, QHQ4, QMC6, QMC8, QMD6, QME4, QMP4, QM22, QNT, QPU QW24, QWA4, QWW2, QX2, QX26, QX4, QX7, QX9, QXE2, QXF2, QXS2 QXU, SD16, SG24, SHQ4, SMC7, SMC9, SWX2, SX4, SX7, SX9, SXS4 SXU, TCS2, TW24, TX2, TX26, TX4, TXU, VA2, VG24, VGE4, VGE5 VHA9, VHH4, VMS4, VPM4, VPM5, VPM8, VPM9, VPR4, VPR9, VS17 VS19, VSD, VSD1, VSD7, VSD9, VWA2, VWW2, VX2, VX4, VXE9, VXU1 VXW2, WKS, WKT2, WKT4, WKT6
	13010-Z4M-801	-	1	1	-	1	1		
	13010-Z4M-802	RING SET, PISTON(STD.)(TPR)··	-	1	1	-	1	1		
	13011-Z4M-003	RING SET, PISTON(0.25)(RIKEN)	-	(1)	-	-	(1)	-	-----	HHQ4, LHN4, LHN4/A, LHQ4, QBC2, QMP4, QPU, SX9, SX9/A, TXC9 VGE4, VGE5, VHH4, VHH4/A, VPM5, VS19
	13012-Z4M-003	RING SET, PISTON(0.50)(RIKEN)	-	(1)	-	-	(1)	-	-----	HHQ4, LHN4, LHN4/A, LHQ4, QBC2, QMP4, QPU, SX9, SX9/A, TXC9 VGE4, VGE5, VHH4, VHH4/A, VPM5, VS19
	13011-Z4K-004	RING SET, PISTON(0.25)(TPR)··	-	(1)	-	-	-	-	-----	HHQ4, LHQ4, QBC2, TXC9
	13012-Z4K-004	RING SET, PISTON(0.50)(TPR)··	-	(1)	-	-	-	-	-----	HHQ4, LHQ4, QBC2, TXC9
	13011-Z4K-004	RING SET, PISTON(0.25)(TPR)··	-	-	-	-	(1)	-	-----	VGE4, VGE5
	13012-Z4K-004	RING SET, PISTON(0.50)(TPR)··	-	-	-	-	(1)	-	-----	VGE4, VGE5



E-8

PISTON



Ref. No.	Part No.	Description	Reqd. QTY						Serial No.	Parts catalogue code
			GX 160 UT1	GX 160 UT2	GX 160 UT2X	GX 160 RT1	GX 160 RT2	GX 160 RT2X		
2	13102-ZH8-020	PISTON(0.25).....	(1)	-	-	(1)	-	-	-----	HH26, HHQ4, HX2, HX4, HXE8, HXU, QAX2, QAX4, QBM2, QHG4, QHQU QKA4, QNT4, QXC4, QXC9, QXE4, QXE5, QXE8, QXP2, QXW, QXWE, RH2 RHG4, RHQ4, RTB2, RX4, RXE2, RXP2, RXU, SG22, SHQU, SSX2, SWG4 SX2, SXE4, SXE5, SXS, SXS2, TXC9, TXDU, UXU, VG29, VGE2, VPMN VSD2, VVWN, WMB0
	13103-ZH8-020	PISTON(0.50).....	(1)	-	-	(1)	-	-	-----	HH26, HHQ4, HX2, HX4, HXE8, HXU, QAX2, QAX4, QBM2, QHG4, QHQU QKA4, QNT4, QXC4, QXC9, QXE4, QXE5, QXE8, QXP2, QXW, QXWE, RH2 RHG4, RHQ4, RTB2, RX4, RXE2, RXP2, RXU, SG22, SHQU, SSX2, SWG4 SX2, SXE4, SXE5, SXS, SXS2, TXC9, TXDU, UXU, VG29, VGE2, VPMN VSD2, VVWN, WMB0
	13104-ZH8-020	PISTON(0.75).....	(1)	-	-	(1)	-	-	-----	HH26, HHQ4, HX2, HX4, HXE8, HXU, QAX2, QAX4, QBM2, QHG4, QHQU QKA4, QNT4, QXC4, QXC9, QXE4, QXE5, QXE8, QXP2, QXW, QXWE, RH2 RHG4, RHQ4, RTB2, RX4, RXE2, RXP2, RXU, SG22, SHQU, SSX2, SWG4 SX2, SXE4, SXE5, SXS, SXS2, TXC9, TXDU, UXU, VG29, VGE2, VPMN VSD2, VVWN, WMB0
	13101-ZH8-020	PISTON(STD.).....	1	-	-	1	-	-	-----	2805809 HH26, HHQ4, HX2, HX4, HXE8, HXU, QAX2, QAX4, QBM2, QHG4, QHQU QKA4, QNT4, QXC4, QXC9, QXE4, QXE5, QXE8, QXP2, QXW, QXWE, RH2 RHG4, RHQ4, RTB2, RX4, RXE2, RXP2, RXU, SG22, SHQU, SSX2, SWG4 SX2, SXE4, SXE5, SXS, SXS2, TXC9, TXDU, UXU, VG29, VGE2, VPMN VSD2, VVWN, WMB0
	13101-Z4M-000	1	-	-	1	-	-	-----	2805810
	13103-ZH8-010	PISTON(0.50).....	(1)	-	-	-	-	-	-----	PXU, QHQ4, QME4, QX4, QXU, SHQ4, SX4, SXS4, SXU, TXU, VSD, VX4 VXU1
	13104-ZH8-010	PISTON(0.75).....	(1)	-	-	-	-	-	-----	PXU, QHQ4, QME4, QX4, QXU, SHQ4, SX4, SXS4, SXU, TXU, VSD, VX4 VXU1

E-8

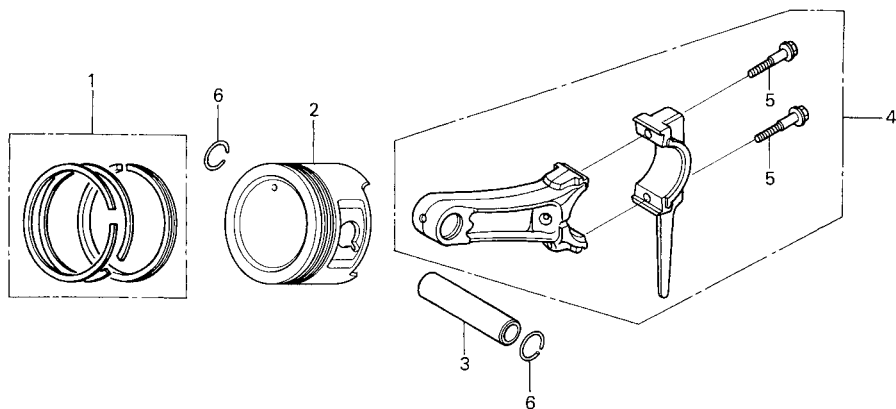
PISTON

Ref. No.	Part No.	Description	Reqd. QTY						Serial No.	Parts catalogue code
			GX 160 UT1	GX 160 UT2	GX 160 RT1	GX 160 RT2	GX 160 RT2X			
(2)	13101-Z0T-810	PISTON(STD.)	1	-	-	-	-	-	1699489	LHQ4, LX2, LX26, LX4, LXU, PXU, QA2, QA26, QBC2, QBT6, QCB2, QCL QGR9, QH26, QHQ4, QMC6, QMC8, QMD6, QME4, QMP4, QM22, QNT, QPU QW24, QWA4, QWW2, QWX2, QX2, QX26, QX4, QX7, QX9, QXE2, QXF2 QXS2, QXU, SD16, SG24, SHQ4, SMC7, SMC9, SWX2, SX4, SX7, SX9 SXS4, SXU, TCS2, TW24, TX2, TX26, TX4, TXU, VA2, VG24, VGE4 VGE5, VHA9, VHH4, VMS4, VPM4, VPM5, VPM8, VPM9, VPR4, VPR9 VS17, VS19, VSD, VSD1, VSD7, VSD9, VWA2, VWW2, VX2, VX4, VXE9 VXU1, VXW2, WKS, WKT2, WKT4, WKT6
	13102-Z0T-810	PISTON(0.25)	(1)	-	-	-	-	-	1699489	LHQ4, LX2, LX26, LX4, LXU, PXU, QA2, QA26, QBC2, QBT6, QCB2, QCL QGR9, QH26, QHQ4, QMC6, QMC8, QMD6, QME4, QMP4, QM22, QNT, QPU QW24, QWA4, QWW2, QWX2, QX2, QX26, QX4, QX7, QX9, QXE2, QXF2 QXS2, QXU, SD16, SG24, SHQ4, SMC7, SMC9, SWX2, SX4, SX7, SX9 SXS4, SXU, TCS2, TW24, TX2, TX26, TX4, TXU, VA2, VG24, VGE4 VGE5, VHA9, VHH4, VMS4, VPM4, VPM5, VPM8, VPM9, VPR4, VPR9 VS17, VS19, VSD, VSD1, VSD7, VSD9, VWA2, VWW2, VX2, VX4, VXE9 VXU1, VXW2, WKS, WKT2, WKT4, WKT6
	13103-Z0T-810	PISTON(0.50)	(1)	-	-	-	-	-	1699489	LHQ4, LX2, LX26, LX4, LXU, PXU, QA2, QA26, QBC2, QBT6, QCB2, QCL QGR9, QH26, QHQ4, QMC6, QMC8, QMD6, QME4, QMP4, QM22, QNT, QPU QW24, QWA4, QWW2, QWX2, QX2, QX26, QX4, QX7, QX9, QXE2, QXF2 QXS2, QXU, SD16, SG24, SHQ4, SMC7, SMC9, SWX2, SX4, SX7, SX9 SXS4, SXU, TCS2, TW24, TX2, TX26, TX4, TXU, VA2, VG24, VGE4 VGE5, VHA9, VHH4, VMS4, VPM4, VPM5, VPM8, VPM9, VPR4, VPR9 VS17, VS19, VSD, VSD1, VSD7, VSD9, VWA2, VWW2, VX2, VX4, VXE9 VXU1, VXW2, WKS, WKT2, WKT4, WKT6
	13104-Z0T-810	PISTON(0.75)	(1)	-	-	-	-	-	1699489	LHQ4, LX2, LX26, LX4, LXU, PXU, QA2, QA26, QBC2, QBT6, QCB2, QCL QGR9, QH26, QHQ4, QMC6, QMC8, QMD6, QME4, QMP4, QM22, QNT, QPU QW24, QWA4, QWW2, QWX2, QX2, QX26, QX4, QX7, QX9, QXE2, QXF2 QXS2, QXU, SD16, SG24, SHQ4, SMC7, SMC9, SWX2, SX4, SX7, SX9 SXS4, SXU, TCS2, TW24, TX2, TX26, TX4, TXU, VA2, VG24, VGE4 VGE5, VHA9, VHH4, VMS4, VPM4, VPM5, VPM8, VPM9, VPR4, VPR9 VS17, VS19, VSD, VSD1, VSD7, VSD9, VWA2, VWW2, VX2, VX4, VXE9 VXU1, VXW2, WKS, WKT2, WKT4, WKT6
	13102-ZH8-020	PISTON(0.25)	(1)	-	-	-	-	-	1699490	LHQ4, LX2, LX26, LX4, LXU, PXU, QA2, QA26, QBC2, QBT6, QCB2, QCL QGR9, QH26, QHQ4, QMC6, QMC8, QMD6, QME4, QMP4, QM22, QNT, QPU QW24, QWA4, QWW2, QWX2, QX2, QX26, QX4, QX7, QX9, QXE2, QXF2 QXS2, QXU, SD16, SG24, SHQ4, SMC7, SMC9, SWX2, SX4, SX7, SX9 SXS4, SXU, TCS2, TW24, TX2, TX26, TX4, TXU, VA2, VG24, VGE4 VGE5, VHA9, VHH4, VMS4, VPM4, VPM5, VPM8, VPM9, VPR4, VPR9 VS17, VS19, VSD, VSD1, VSD7, VSD9, VWA2, VWW2, VX2, VX4, VXE9 VXU1, VXW2, WKS, WKT2, WKT4, WKT6
	13103-ZH8-020	PISTON(0.50)	(1)	-	-	-	-	-	1699490	LHQ4, LX2, LX26, LX4, LXU, PXU, QA2, QA26, QBC2, QBT6, QCB2, QCL QGR9, QH26, QHQ4, QMC6, QMC8, QMD6, QME4, QMP4, QM22, QNT, QPU QW24, QWA4, QWW2, QWX2, QX2, QX26, QX4, QX7, QX9, QXE2, QXF2 QXS2, QXU, SD16, SG24, SHQ4, SMC7, SMC9, SWX2, SX4, SX7, SX9 SXS4, SXU, TCS2, TW24, TX2, TX26, TX4, TXU, VA2, VG24, VGE4 VGE5, VHA9, VHH4, VMS4, VPM4, VPM5, VPM8, VPM9, VPR4, VPR9 VS17, VS19, VSD, VSD1, VSD7, VSD9, VWA2, VWW2, VX2, VX4, VXE9 VXU1, VXW2, WKS, WKT2, WKT4, WKT6
	13104-ZH8-020	PISTON(0.75)	(1)	-	-	-	-	-	1699490	LHQ4, LX2, LX26, LX4, LXU, PXU, QA2, QA26, QBC2, QBT6, QCB2, QCL QGR9, QH26, QHQ4, QMC6, QMC8, QMD6, QME4, QMP4, QM22, QNT, QPU QW24, QWA4, QWW2, QWX2, QX2, QX26, QX4, QX7, QX9, QXE2, QXF2 QXS2, QXU, SD16, SG24, SHQ4, SMC7, SMC9, SWX2, SX4, SX7, SX9 SXS4, SXU, TCS2, TW24, TX2, TX26, TX4, TXU, VA2, VG24, VGE4 VGE5, VHA9, VHH4, VMS4, VPM4, VPM5, VPM8, VPM9, VPR4, VPR9 VS17, VS19, VSD, VSD1, VSD7, VSD9, VWA2, VWW2, VX2, VX4, VXE9 VXU1, VXW2, WKS, WKT2, WKT4, WKT6



E-8

PISTON



Z4M0-E0800



Ref. No.	Part No.	Description	Reqd. QTY						Serial No.	Parts catalogue code
			GX 160 UT1	GX 160 UT2	GX 160 UT2X	GX 160 RT1	GX 160 RT2	GX 160 RT2X		
(2)	13101-ZH8-020	PISTON(STD.)	1	-	-	-	-	-	1699490 2805809	LHQ4, LX2, LX26, LX4, LXU, PXU, QA2, QA26, QBC2, QBT6, QCB2, QCL QGR9, QH26, QHQ4, QMC6, QMC8, QMD6, QME4, QMP4, QMZ2, QNT, QPU QW24, QWA4, QWW2, QWX2, QX2, QX26, QX4, QX7, QX9, QXE2, QXF2 QXS2, QXU, SD16, SG24, SHQ4, SMC7, SMC9, SWX2, SX4, SX7, SX9 SXS4, SXU, TCS2, TW24, TX2, TX26, TX4, TXU, VA2, VG24, VGE4 VGE5, VHA9, VHH4, VMS4, VPM4, VPM5, VPM8, VPM9, VPR4, VPR9 VS17, VS19, VSD, VSD1, VSD7, VSD9, VWA2, VWW2, VX2, VX4, VXE9 VXU1, VXX2, WKS, WKT2, WKT4, WKT6
	13101-Z4M-800		-	1	-	-	1	-	-----	EMAN, HH26, HHQ4, HX2, HX4, HXE8, LHN4, LHQ4, LX2, LX4, LXM2 PXU, QA2, QAX2, QAX4, QBC2, QBM2, QC9, QCM, QGR9, QH26, QHG4 QHQ4, QMC6, QMC8, QMD6, QME4, QMP4, QMX2, QPU, QWA4, QWX2, QX2 QX4, QX9, QXE2, QXE5, QXE8, QXM2, QXS2, QXU, QXWE, RH2, RHG4 RHQ4, RX4, RXE2, RXU, S1CY, SCM, SD16, SG24, SHCC, SHQ4, SHRY SMC7, SMC9, SMW2, SMX4, SMXE, SSS2, SWG4, SWX2, SX4, SX9, SXE5 SXS4, SXU, TX2, TX4, TXC9, TXDU, UXU, VA2, VCG, VES6, VG25, VGE4 VGE5, VHH4, VPM5, VS19, VSD9, VWS, VWS1, VWWN, VX2, VXE9, VXU1 WKS, WKT2, WMB0, WMT4
	13101-Z4M-801		-	1	-	-	1	-	-----	EMAN/A, HH26/A, HX2/A, HX4/A, HXE8/A, LHN4/A, LX2/A, LX4/A LXM2/A, PXU/A, QA2/A, QAX4/A, QBM2/A, QC9/A, QCM/A, QGR9/A QH26/A, QHG4/A, QHQ4/A, QMC6/A, QMC8/A, QMD6/A, QME4/A QMX2/A, QWA4/A, QWX2/A, QX2/A, QX4/A, QX9/A, QXE2/A, QXE5/A QXEB, QXGB, QXS2/A, QXU/A, QXWE/A, RH2/A, RHG4/A, RHQ4/A RX4/A, RXE2/A, RXU/A, S1CY/A, SCM/A, SD16/A, SG24/A, SHCC/A SHQ4/A, SHRY/A, SMC7/A, SMC9/A, SMW2/A, SMX4/A, SMXE/A SSS2/A, SWG4/A, SWX2/A, SX4/A, SX9/A, SXE5/A, SXS4/A, SXU/A TX2/A, TX4/A, TXDU/A, UXU/A, VA2/A, VCG/A, VES6/A, VG25/A VHH4/A, VSD9/A, VWS1/A, VWWN/A, VX2/A, VXE9/A, VXU1/A, WKS/A WKT2/A, WMB0/A, WMT4/A

E-8

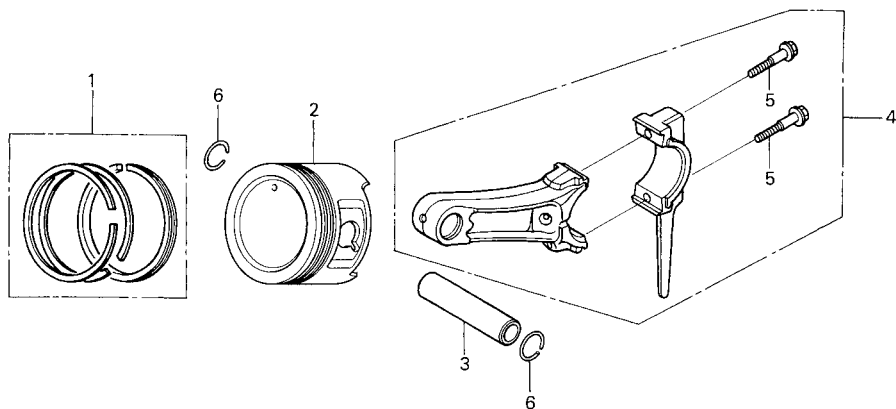
PISTON

Ref. No.	Part No.	Description	Reqd. QTY						Serial No.	Parts catalogue code
			GX 160 UT1	GX 160 UT2	GX 160 UT2X	GX 160 RT1	GX 160 RT2	GX 160 RT2X		
(2)	13102-Z4M-800	PISTON(0.25).....	-	(1)	-	-	(1)	-	HHQ4, LHN4, LHQ4, QAX2, QBC2, QMP4, QPU, QXE8, QXM2, RXU, SWG4 SX9, TXC9, VGE4, VGE5, VHH4, VPM5, VS19, VWS, VX2	
	13103-Z4M-800	PISTON(0.50).....	-	(1)	-	-	(1)	-	HHQ4, LHN4, LHQ4, QAX2, QBC2, QMP4, QPU, QXE8, QXM2, RXU, SWG4 SX9, TXC9, VGE4, VGE5, VHH4, VPM5, VS19, VWS, VX2	
	13102-Z4M-801	PISTON(0.25).....	-	(1)	-	-	(1)	-	LHN4/A, RXU/A, SWG4/A, SX9/A, VHH4/A, VX2/A	
	13103-Z4M-801	PISTON(0.50).....	-	(1)	-	-	(1)	-	LHN4/A, RXU/A, SWG4/A, SX9/A, VHH4/A, VX2/A	
	13101-Z4M-800	PISTON(STD.).....	-	1	-	-	-	2961231	QMXC, QXC9, SMXC, VG29	
	13102-Z4M-800	PISTON(0.25).....	-	(1)	-	-	-	2961231	QMXC, SMXC	
	13103-Z4M-800	PISTON(0.50).....	-	(1)	-	-	-	2961231	QMXC, SMXC	
	13101-Z4M-801	PISTON(STD.).....	-	1	-	-	-	2961232	QMXC, QXC9, SMXC, VG29	
	13102-Z4M-801	PISTON(0.25).....	-	(1)	-	-	-	2961232	QMXC, SMXC	
	13103-Z4M-801	PISTON(0.50).....	-	(1)	-	-	-	2961232	QMXC, SMXC	
	13101-Z4M-801	PISTON(STD.).....	-	-	1	-	-	1		
3	13111-ZE1-000	PIN, PISTON.....	1	-	-	1	-	-		
	13111-Z4M-000	-	1	-	-	1	-	EMAN, HH26, HHQ4, HX2, HX4, HXE8, LHN4, LHN4/A, LHQ4, LX2, LX4 LXM2, PXU, QA2, QAX2, QAX4, QBC2, QBM2, QC9, QCM, QGR9, QH26 QHG4, QHQ4, QMC6, QMC8, QMD6, QME4, QMP4, QMX2, QMXC, QPU, QWA4 QWX2, QX2, QX4, QX9, QXE2, QXE5, QXE8, QXM2, QXS2, QXU, QXWE RH2, RHG4, RHQ4, RX4, RXE2, RXU, RXU/A, S1CY, SCM, SD16, SG24 SHCC, SHQ4, SHRY, SMC7, SMC9, SMW2, SMX4, SMXC, SMXE, SSS2 SWG4, SWG4/A, SWX2, SX4, SX9, SX9/A, SXE5, SXS4, SXU, TX2, TX4 TXC9, TXDU, UXU, VA2, VCG, VES6, VG25, VGE4, VGE5, VHH4, VHH4/A VPM5, VS19, VSD9, VWS, VWS1, VWWN, VX2, VX2/A, VXE9, VXU1, WKS WKT2, WMB0, WMT4, WMT4/A	
			-	1	-	-	1	4373074	EMAN/A, HH26/A, HX2/A, HX4/A, HXE8/A, LX2/A, LX4/A, LXM2/A PXU/A, QA2/A, QAX4/A, QBM2/A, QC9/A, QCM/A, QGR9/A, QH26/A QHG4/A, QHQ4/A, QMC6/A, QMC8/A, QMD6/A, QME4/A, QMX2/A QWA4/A, QWX2/A, QX2/A, QX4/A, QX9/A, QXC9, QXE2/A, QXE5/A QXEB, QXGB, QXS2/A, QXU/A, QXWE/A, RH2/A, RHG4/A, RHQ4/A RX4/A, RXE2/A, S1CY/A, SCM/A, SD16/A, SG24/A, SHCC/A, SHQ4/A SHRY/A, SMC7/A, SMC9/A, SMW2/A, SMX4/A, SMXE/A, SSS2/A SWX2/A, SX4/A, SXE5/A, SXS4/A, SXU/A, TX2/A, TX4/A, TXDU/A UXU/A, VA2/A, VCG/A, VES6/A, VG25/A, VG29, VSD9/A, VWS1/A VWWN/A, VXE9/A, VXU1/A, WKS/A, WKT2/A, WMB0/A	
	13111-ZDK-003	-	1	-	-	1	4373075	EMAN/A, HH26/A, HX2/A, HX4/A, HXE8/A, LX2/A, LX4/A, LXM2/A PXU/A, QA2/A, QAX4/A, QBM2/A, QC9/A, QCM/A, QGR9/A, QH26/A QHG4/A, QHQ4/A, QMC6/A, QMC8/A, QMD6/A, QME4/A, QMX2/A QWA4/A, QWX2/A, QX2/A, QX4/A, QX9/A, QXC9, QXE2/A, QXE5/A QXEB, QXGB, QXS2/A, QXU/A, QXWE/A, RH2/A, RHG4/A, RHQ4/A RX4/A, RXE2/A, S1CY/A, SCM/A, SD16/A, SG24/A, SHCC/A, SHQ4/A SHRY/A, SMC7/A, SMC9/A, SMW2/A, SMX4/A, SMXE/A, SSS2/A SWX2/A, SX4/A, SXE5/A, SXS4/A, SXU/A, TX2/A, TX4/A, TXDU/A UXU/A, VA2/A, VCG/A, VES6/A, VG25/A, VG29, VSD9/A, VWS1/A VWWN/A, VXE9/A, VXU1/A, WKS/A, WKT2/A, WMB0/A	
			-	-	1	-	-	1	EMAN, HH26, HX2, HX4, HXE8, LX2, LX4, LXM2, PXU, QA2, QAX4, QBM2 QC9, QCM, QGR9, QH26, QHG4, QHQ4, QMC6, QMC8, QMD6, QME4, QMX2 QWA4, QX2, QX4, QX9, QXE2, QXE5, QXEB, QXGB, QXU, QXWE, RH2 RHG4, RHQ4, RX4, RXE2, S1CY, SCM, SD16, SG24, SHCC, SHQ4, SHRY SMC7, SMW2, SMX4, SMXE, SSS2, SWX2, SX4, SXE5, SXS4, SXU, TX2 TX4, TXDU, UXU, VA2, VES6, VG25, VSD9, VWS1, VWWN, VXE9, WKS WKT2, WMB0	
	13111-Z4M-000	-	-	1	-	-	-	WMT4	
4	13200-Z0T-800	ROD ASSY., CONNECTING(TH)....	1	-	-	1	-	-		
	13200-ZE1-020	ROD ASSY., CONNECTING(STD.)..	1	-	-	1	-	2988544		



E-8

PISTON



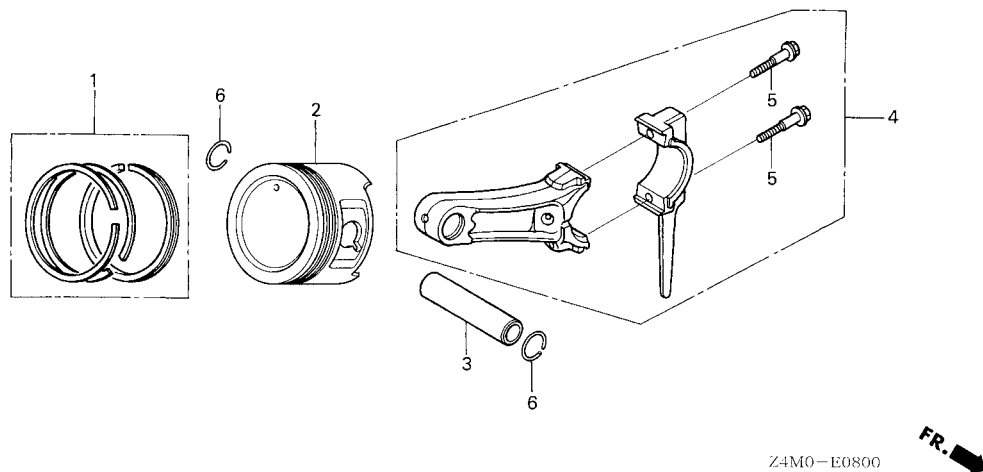
Z4M0-E0800



Ref. No.	Part No.	Description	Reqd. QTY						Serial No.	Parts catalogue code
			GX 160 UT1	GX 160 UT2	GX 160 UT2X	GX 160 RT1	GX 160 RT2	GX 160 RT2X		
(4)	13200-Z0T-900	ROD ASSY., CONNECTING	-	1	-	-	1	-	EMAN/A, HH26/A, HX2/A, HX4/A, HXE8/A, LHN4/A, LX2/A, LX4/A, LXM2/A, PXU/A, QA2/A, QAX4/A, QBM2/A, QC9, QC9/A, QCM, QCM/A, QGR9/A, QH26/A, QHG4/A, QHQ4/A, QMC6/A, QMC8/A, QMD6/A, QME4/A, QMX2/A, QMXC, QWA4/A, QWX2/A, QX2/A, QX4/A, QX9/A, QXE2/A, QXE5/A, QXEB, QXGB, QXS2/A, QXU/A, QXWE/A, RH2/A, RHG4/A, RHQ4/A, RX4/A, RXE2/A, RXU/A, S1CY/A, SCM, SCM/A, SD16/A, SG24/A, SHCC, SHCC/A, SHQ4/A, SHRY/A, SMC7/A, SMC9/A, SMW2/A, SMX4/A, SMXC, SMXE/A, SSS2/A, SWG4/A, SWX2/A, SX4/A, SX9/A, SXE5/A, SXS4/A, SXU/A, TX2/A, TX4/A, TXDU/A, UXU/A, VA2/A, VCG, VCG/A, VES6/A, VG25, VG25/A, VHH4/A, VSD9/A, VWS1, VWS1/A, VWWN/A, VX2/A, VXE9/A, VXU1/A, WKS/A, WKT2/A, WMB0/A, WMT4/A	
	13200-Z4M-000	-	1	-	-	1	-	HHQ4, LHQ4, QBC2, QXE8, TXC9, VGE4, VGE5	
	13200-Z0T-306	ROD ASSY., CONNECTING (UNDER SIZE)	-	(1)	-	-	(1)	-	LHN4, LHN4/A, QMXC, RXU, RXU/A, SMXC, SWG4, SWG4/A, SX9, SX9/A, VHH4, VHH4/A, VX2, VX2/A	
	13200-Z4M-305	-	(1)	-	-	(1)	-	QAX2, QMP4, QPU, QXM2, VPM5, VS19, VWS	
	13200-Z4M-000	ROD ASSY., CONNECTING	-	1	-	-	1	-	2614193 EMAN, HH26, HX2, HX4, HXE8, LHN4, LX2, LX4, LXM2, PXU, QA2, QAX2, QAX4, QBM2, QGR9, QH26, QHG4, QHQ4, QMC6, QMC8, QMD6, QME4, QMP4, QMX2, QPU, QWA4, QWX2, QX2, QX4, QX9, QXC9, QXE2, QXE5, QXM2, QXS2, QXU, QXWE, RH2, RHG4, RHQ4, RX4, RXE2, RXU, S1CY, SD16, SG24, SHQ4, SHRY, SMC7, SMC9, SMW2, SMX4, SMXE, SSS2, SWG4, SWX2, SX4, SX9, SXE5, SXS4, SXU, TX2, TX4, TXDU, UXU, VA2, VES6, VG29, VHH4, VPM5, VS19, VSD9, VWS, VWWN, VX2, VXE9, VXU1, WKS, WKT2, WMB0, WMT4	

E-8

PISTON

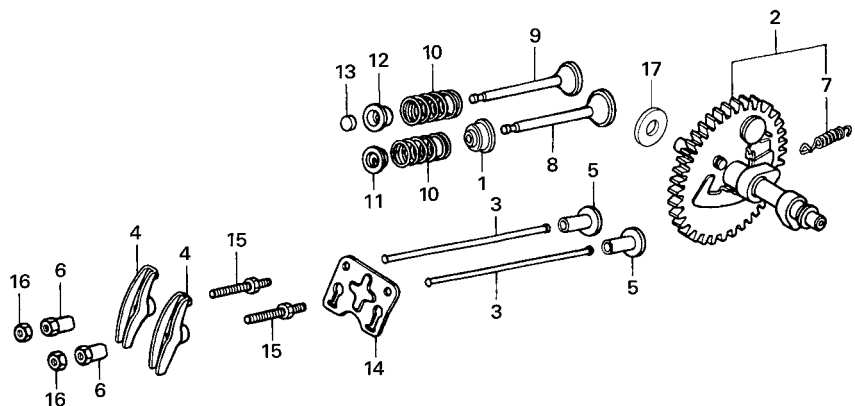


Ref. No.	Part No.	Description	Reqd. QTY						Serial No.	Parts catalogue code
			GX 160 UT1	GX 160 UT2	GX 160 UT2X	GX 160 RT1	GX 160 RT2	GX 160 RT2X		
(4)	13200-Z0T-900	ROD ASSY., CONNECTING	-	1	-	-	1	-	2614194 -----	EMAN, HH26, HX2, HX4, HXE8, LHN4, LX2, LX4, LXM2, PXU, QA2, QAX2, QAX4, QBM2, QGR9, QH26, QHG4, QHQ4, QMC6, QMC8, QMD6, QME4, QMP4, QMX2, QPU, QWA4, QWX2, QX2, QX4, QX9, QXC9, QXE2, QXE5, QXM2, QXS2, QXU, QXWE, RH2, RHG4, RHQ4, RX4, RXE2, RXU, S1CY, SD16, SG24, SHQ4, SHRY, SMC7, SMC9, SMW2, SMX4, SMXE, SSS2, SWG4, SWX2, SX4, SX9, SXE5, SXS4, SXU, TX2, TX4, TXDU, UXU, VA2, VES6, VG29, VHH4, VPM5, VS19, VSD9, VWS, VWVN, VX2, VXE9, VXU1, WKS, WKT2, WMB0, WMT4
5	90001-ZE1-000	BOLT, CONNECTING ROD	-	-	1	-	-	1		
	90001-Z4M-000	BOLT, CONNECTING ROD, 6X34.5	-	2	2	-	2	2		
6	90551-ZE1-000	CLIP, PISTON PIN, 18MM	2	2	2	2	2	2		



E-9

CAMSHAFT



Z4M0-E0900A

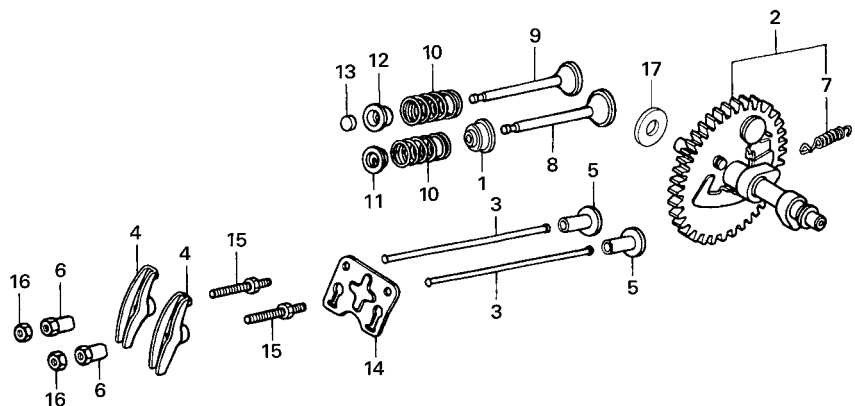


Ref. No.	L.O.N.	(Relative ref. Number) Description	F.R.T.
1	1111K2	SEAL, INTAKE VALVE STEMINCLUDES: Valve clearance adjustment	0.6
2	1111C2	CAMSHAFTINCLUDES: Valve clearance adjustment	0.4
3	1111L6	ROD, PUSH :INTAKEINCLUDES: Valve clearance adjustment	0.2
	1111L6A	.Replace exhaust push rod add	0.1
	1111L7	ROD, PUSH :EXHAUSTINCLUDES: Valve clearance adjustment	0.2
	1111L7A	.Replace intake push rod add	0.1
4	1111A2	ARM, ROCKER :INTAKEINCLUDES: Valve clearance adjustment	0.2
	1111A2A	.Replace exhaust rocker arm add	0.1
	1111A1	ARM, ROCKER :EXHAUSTINCLUDES: Valve clearance adjustment	0.2
	1111A1A	.Replace intake rocker arm add	0.1
+ 5	1111L9	LIFTER, VALVE :INTAKEINCLUDES: Valve clearance adjustment	0.4

Ref. No.	Part No.	Description	Reqd. QTY						Serial No.	Parts catalogue code
			GX 160 UT1	GX 160 UT2	GX 160 UT2X	GX 160 RT1	GX 160 RT2	GX 160 RT2X		
1	12209-ZH8-003	SEAL, VALVE STEM.....	1	-	-	1	-	-		
	12209-Z4M-801	-	1	1	-	1	1		
2	14100-ZE1-812	CAMSHAFT ASSY.	1	-	-	1	-	-	-----	-----
									HH26, HHQ4, HX2, HX4, HXE8, HXU, LHQ4, LX2, LX26, LX4, LXU, PXU	QA2, QA26, QAX2, QAX4, QBC2, QBM2, QBT6, QCB2, QGR9, QH26, QH4
									QHQU, QKA4, QMC6, QMC8, QMD6, QME4, QMP4, QM22, QNT, QNT4, QPU	QW24, QWA4, QWW2, QWX2, QX2, QX26, QX4, QXC4, QXC9, QXE2, QXE4
									QXE5, QXE8, QXP2, QXS2, QXU, QXW, QXWE, RH2, RHQ4, RTB2, RX4	RXE2, RXP2, RXU, SD16, SG22, SG24, SHQ4, SHQU, SMC7, SMC9, SSX2
									SWG4, SWX2, SX2, SX4, SXE4, SXE5, SXS2, SXS4, SXU, TCS2, TW24	TX2, TX26, TX4, TXC9, TXDU, TXU, UXU, VG24, VG29, WKS, WKT2
									WKT4, WKT6, WMB0	QHG4, RHG4
	14100-ZH8-800	1	-	-	1	-	-	-----	-----
	14100-Z1T-810	1	-	-	-	-	-	-----	-----
	14100-ZF1-010	1	-	-	-	-	-	-----	-----
	14100-Z0T-820	1	-	-	-	-	-	-----	-----
	14100-Z0T-880	1	-	-	-	-	-	-----	-----
	14100-ZL0-000	1	-	-	-	-	-	-----	-----
	14100-Z0V-880	1	-	-	-	-	-	-----	-----
	14100-Z0V-820	CAMSHAFT ASSY.(TH)	1	-	-	-	-	-	-----	-----
	14100-ZL0-870	CAMSHAFT ASSY.	1	-	-	-	-	-	-----	-----
	14100-Z4M-800	-	1	1	-	1	1	-----	-----
									VA2, VGE2, VGE4, VGE5, VHH4, VMS4, VPM4, VPM5, VPMN, VPR4, VSD	VSD1, VWA2, VWW2, VWWN, VX2, VX4, VXU1, VXW2
									VHA9, VPM8, VPM9, VPR9, VS19, VSD9, VXE9	VS17, VSD2, VSD7
									VSD2	EMAN, EMAN/A, VA2, VA2/A, VGE4, VGE5, VHH4, VHH4/A, VPM5, VWS
									VWS1, VWS1/A, VWWN, VWWN/A, VX2, VX2/A, VXU1, VXU1/A	

E-9

CAMSHAFT



Z4M0-E0900A



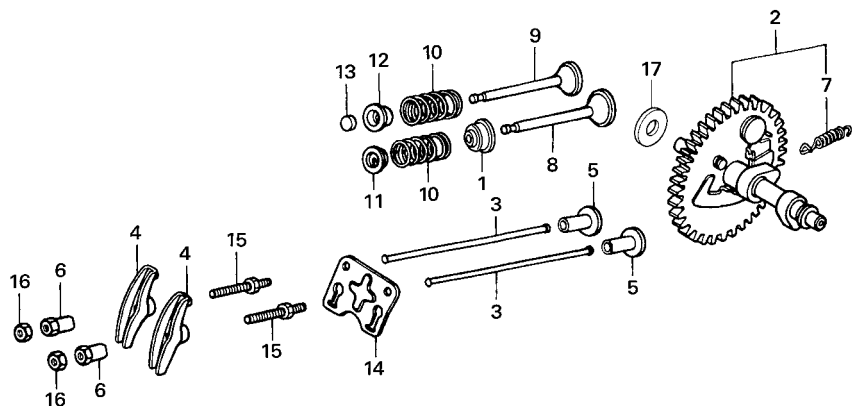
Ref. No.	L.O.N.	(Relative ref. Number) Description	F.R.T.
+ 5		.INCLUDES: Valve clearance adjustment .NOTE: Same time for two units	
1111M0		LIFTER, VALVE :EXHAUST	0.4
8	1111L1	.INCLUDES: Valve clearance adjustment .NOTE: Same time for two units VALVE, INTAKE	0.7
	1111L1E	.INCLUDES: Valve clearance adjustment and reface .Replace intake and exhaust all add	0.2
9	1111L0	VALVE, EXHAUST	0.7
	1111L0E	.INCLUDES: Valve clearance adjustment and reface .Replace intake and exhaust all add	0.2
10	1111P3	SPRING, VALVE :INTAKE	0.6
	1111P3A	.INCLUDES: Valve clearance adjustment .Replace intake and exhaust all add	0.1
	1111P4	SPRING, VALVE :EXHAUST	0.6
+		.INCLUDES: Valve clearance adjustment	

Ref. No.	Part No.	Description	Reqd. QTY						Serial No.	Parts catalogue code
			GX 160 UT1	GX 160 UT2	GX 160 UT2X	GX 160 RT1	GX 160 RT2	GX 160 RT2X		
(2)	14100-Z4M-000	CAMSHAFT ASSY.	-	1	1	-	1	1	-----	HH26, HH26/A, HHQ4, HX2, HX2/A, HX4, HX4/A, HXE8, HXE8/A, LHN4, LHN4/A, LHQ4, LX2, LX2/A, LX4, LX4/A, LXM2, LXM2/A, PXU, PXU/A, QA2, QA2/A, QAX2, QAX4, QAX4/A, QBC2, QBM2, QBM2/A, QC9, QC9/A, QCM, QCM/A, QGR9, QGR9/A, QH26, QH26/A, QHQ4, QHQ4/A, QMC6, QMC6/A, QMC8, QMC8/A, QMD6, QMD6/A, QME4, QME4/A, QMP4, QMP4/A, QMX2, QMX2/A, QMXC, QPU, QWA4, QWA4/A, QWX2, QWX2/A, QX2, QX2/A, QX4, QX4/A, QXC9, QXE2, QXE2/A, QXE5, QXE5/A, QXE8, QXE8/A, QXGB, QXM2, QXS2, QXS2/A, QXU, QXU/A, QXWE, QXWE/A, RH2, RH2/A, RHQ4, RHQ4/A, RX4, RX4/A, RXE2, RXE2/A, RXU, RXU/A, S1CY, S1CY/A, SCM, SCM/A, SD16, SD16/A, SG24, SG24/A, SHCC, SHCC/A, SHQ4, SHQ4/A, SHRY, SHRY/A, SMC7, SMC7/A, SMC9, SMC9/A, SMW2, SMW2/A, SMX4, SMX4/A, SMXC, SMXE, SMXE/A, SSX2, SSX2/A, SWG4, SWG4/A, SWX2, SWX2/A, SX4, SX4/A, SXE5, SXE5/A, SXS4, SXS4/A, SXU, SXU/A, TX2, TX2/A, TX4, TX4/A, TXC9, TXDU, TXDU/A, UXU, UXU/A, VCG, VCG/A, VES6, VES6/A, VG25, VG25/A, VG29, WKS, WKS/A, WKT2, WKT2/A, WMB0, WMB0/A
	14100-Z4M-820	-	1	1	-	1	1	-----	QHG4, QHG4/A, RHG4, RHG4/A, WMT4, WMT4/A
	14100-Z4M-871	-	1	-	-	-	-	-----	QX9/A, SX9/A, VSD9/A, VXE9/A
	14100-Z4M-870	-	1	-	-	-	-	1014591	QX9, SX9, VSD9, VXE9
	14100-Z4M-871	-	-	-	-	-	-	1014592	QX9, SX9, VSD9, VXE9
	14100-Z4M-870	-	-	-	-	-	-	1127730	VS19
	14100-Z4M-871	-	-	-	-	-	-	1127731	VS19
3	14410-ZE1-010	ROD, PUSH	2	-	-	-	2	-	-	-
	14410-Z4M-000	ROD COMP., PUSH	-	2	2	-	-	2	2	2
4	14431-ZE1-000	ARM, VALVE ROCKER	2	2	2	2	2	2	2	2
5	14441-ZE1-010	LIFTER, VALVE	2	2	2	2	2	2	2	2
6	14451-ZE1-013	PIVOT, ROCKER ARM	2	-	-	2	-	-	-	-



E-9

CAMSHAFT



Z4M0-E0900A



Ref. No.	L.O.N.	(Relative ref. Number) Description	F.R.T.
+10	1111P4A	.Replace intake and exhaust all add	0.1
13	1111J7	ROTATOR, VALVE	0.2
.INCLUDES: Valve clearance adjustment			

Ref. No.	Part No.	Description	Reqd. QTY						Serial No.	Parts catalogue code
			GX 160 UT1	GX 160 UT2	GX 160 UT2X	GX 160 RT1	GX 160 RT2	GX 160 RT2X		
(6)	14451-Z4M-000	PIVOT, ROCKER ARM	-	2	-	-	2	-	EMAN/A, HH26/A, HX2/A, HX4/A, HXE8/A, LHN4/A, LX2/A, LX4/A, LXM2/A, PXU/A, QA2/A, QAX4/A, QBM2/A, QC9, QC9/A, QCM, QCM/A, QGR9/A, QH26/A, QHG4/A, QHQ4/A, QMC6/A, QMC8/A, QMD6/A, QME4/A, QMX2/A, QMXC, QWA4/A, QWX2/A, QX2/A, QX4/A, QX9/A, QXE2/A, QXE5/A, QXEB, QXGB, QXS2/A, QXU/A, QXWE/A, RH2/A, RHG4/A, RHQ4/A, RX4/A, RXE2/A, RXU/A, S1CY/A, SCM, SCM/A, SD16/A, SG24/A, SHCC, SHCC/A, SHQ4/A, SHRY/A, SMC7/A, SMC9/A, SMW2/A, SMX4/A, SMXC, SMXE/A, SSS2/A, SWG4/A, SWX2/A, SX4/A, SX9/A, SXE5/A, SXS4/A, SXU/A, TX2/A, TX4/A, TXDU/A, UXU/A, VA2/A, VCG, VCG/A, VES6/A, VG25, VG25/A, VHH4/A, VSD9/A, VWS1, VWS1/A, VWWN/A, VX2/A, VXE9/A, VXU1/A, WKS/A, WKT2/A, WMB0/A, WMT4/A	
	14451-ZE1-013	-	2	-	-	-	-	HHQ4, LHQ4, QBC2, QXE8, TXC9	
			-	2	-	-	-	2000899	LX2, LX4, LXM2, PXU, QA2, QBM2, QGR9, QH26, QHQ4, QMC6, QMC8, QMD6, QME4, QMP4, QPU, QWA4, QWX2, QX2, QX4, QX9, QXE2, QXM2, QXS2, QXU, SD16, SG24, SHQ4, SMC7, SMC9, SMX4, SMXE, SWX2, SX4, SX9, SXS4, SXU, TX2, TX4, TXDU, VA2, VSD9, VX2, VXE9, VXU1, WKS, WKT2	
			-	2	-	-	-	2001900	HH26, HX2, HX4, HXE8, LHN4, QAX2, QAX4, QMX2, QXC9, QXE5, QXWE, RH2, RHQ4, RX4, RXE2, RXU, S1CY, SHRY, SMW2, SSS2, SXE5, UXU, VG29, WMB0, WMT4	

E-9

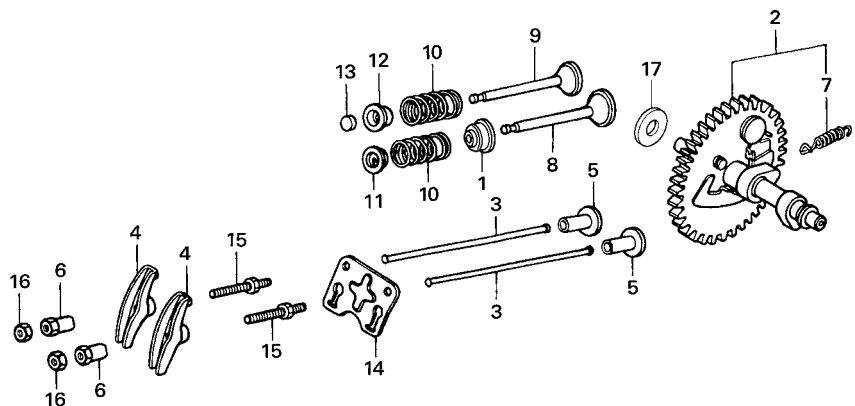
CAMSHAFT

Ref. No.	Part No.	Description	Reqd. QTY						Serial No.	Parts catalogue code
			GX 160 UT1	GX 160 UT2	GX 160 UT2X	GX 160 RT1	GX 160 RT2	GX 160 RT2X		
(6)	14451-Z4M-000	PIVOT, ROCKER ARM	-	2	-	-	-	-	2000900 -----	LX2, LX4, LXM2, PXU, QA2, QBM2, QGR9, QH26, QHQ4, QMC6, QMC8 QMD6, QME4, QMP4, QPU, QWA4, QWX2, QX2, QX4, QX9, QXE2, QXM2 QXS2, QXU, SD16, SG24, SHQ4, SMC7, SMC9, SMX4, SMXE, SWX2, SX4 SX9, SXS4, SXU, TX2, TX4, TXDU, VA2, VSD9, VX2, VXE9, VXU1, WKS WKT2
			-	2	-	-	-	-	2001901 -----	HH26, HX2, HX4, HXE8, LHN4, QAX2, QAX4, QMX2, QXC9, QXE5, QXWE RH2, RHQ4, RX4, RXE2, RXU, S1CY, SHRY, SMM2, SSSX2, SXE5, UXU VG29, WMB0, WMT4
	14451-ZE1-013	-	-	2	-	-	2	-----	VGE4, VGE5
	14451-Z4M-000	-	-	-	-	-	2	-----	2005692 EMAN, QHG4, RHG4, SWG4, VES6, VHH4, VPM5, VS19, VWS, VWWN
7	14568-ZE1-000	SPRING, WEIGHT RETURN	1	1	1	1	1	1	-----	2005693 EMAN, QHG4, RHG4, SWG4, VES6, VHH4, VPM5, VS19, VWS, VWWN
8	14711-ZF1-000	VALVE, IN.	1	-	-	-	1	-		
	14711-Z4M-000	-	1	1	-	-	1		
9	14721-ZF1-000	VALVE, EX.	1	-	-	-	-	-	-----	HH26, HHQ4, HX2, HX4, HXE8, HXU, LHQ4, LX2, LX26, LX4, LXU, QA2 QA26, QAX2, QAX4, QBC2, QBM2, QBT6, QCB2, QCL, QGR9, QH26, QHG4 QHQ4, QHQU, QKA4, QMC6, QMC8, QMD6, QME4, QMP4, QMZ2, QNT, QNT4 QPU, QW24, QWA4, QWW2, QWX2, QX2, QX26, QX4, QX7, QX9, QXC4 QXC9, QXE2, QXE4, QXE5, QXE8, QXF2, QXP2, QXS2, QXU, QXW, QXWE RH2, RHG4, RHQ4, RTB2, RX4, RXE2, RXP2, RXU, SD16, SG22, SG24 SHQ4, SHQU, SMC7, SMC9, SSSX2, SWG4, SWX2, SX2, SX4, SX7, SX9 SXE4, SXE5, SXS, SXS2, SXS4, SXU, TXC9, VA2, VG24, VG29, VGE2 VGE4, VGE5, VHA9, VHH4, VMS4, VPM4, VPM5, VPM8, VPM9, VPMN VPR4, VPR9, VS17, VS19, VSD, VSD1, VSD2, VSD7, VSD9, VWA2, VWW2 VWWN, VX2, VX4, VXE9, VXU1, VXW2, WKS, WKT2, WKT4, WKT6, WMB0 PXU, TCS2, TW24, TX2, TX26, TX4, TXDU, TXU, UXU
	14721-ZH8-810	VALVE, EX.(STELLITE)	1	-	-	-	-	-	-----	
	14721-Z4M-000	VALVE, EX.	-	1	1	-	-	1	-----	EMAN, EMAN/A, HH26, HH26/A, HHQ4, HX2, HX2/A, HX4, HX4/A, HXE8 HXE8/A, LHN4, LHN4/A, LHQ4, LX2, LX2/A, LX4, LX4/A, LXM2 LXM2/A, QA2, QA2/A, QAX2, QAX4, QAX4/A, QBC2, QBM2, QBM2/A QC9, QC9/A, QCM, QCM/A, QGR9, QGR9/A, QH26, QH26/A, QHG4 QHG4/A, QHQ4, QHQ4/A, QMC6, QMC6/A, QMC8, QMC8/A, QMD6 QMD6/A, QME4, QME4/A, QMP4, QMX2, QMX2/A, QMXC, QPU, QWA4 QWA4/A, QWX2, QWX2/A, QX2, QX2/A, QX4, QX4/A, QX9, QX9/A, QXC9 QXE2, QXE2/A, QXE5, QXE5/A, QXE8, QXE8, QXGB, QXM2, QXS2 QXS2/A, QXU, QXU/A, QXWE, QXWE/A, RH2, RH2/A, RHG4, RHG4/A RHQ4, RHQ4/A, RX4, RX4/A, RXE2, RXE2/A, RXU, RXU/A, S1CY S1CY/A, SCM, SCM/A, SD16, SD16/A, SG24, SG24/A, SHCC, SHCC/A SHQ4, SHQ4/A, SHRY, SHRY/A, SMC7, SMC7/A, SMC9, SMC9/A, SMM2 SMM2/A, SMX4, SMX4/A, SMXC, SMXE, SMXE/A, SSSX2, SSSX2/A, SWG4 SWG4/A, SWX2, SWX2/A, SX4, SX4/A, SX9, SX9/A, SXE5, SXE5/A SXS4, SXS4/A, SXU, SXU/A, TXC9, VA2, VA2/A, VCG, VCG/A, VES6 VES6/A, VG25, VG25/A, VG29, VGE4, VGE5, VHH4, VHH4/A, VPM5 VS19, VSD9, VSD9/A, VWS, VWS1, VWS1/A, VWWN, VWWN/A, VX2 VX2/A, VXE9, VXE9/A, VXU1, VXU1/A, WKS, WKS/A, WKT2, WKT2/A WMB0, WMB0/A, WMT4, WMT4/A
	14721-Z4M-810	VALVE, EX.(STELLITE)	-	1	1	-	-	-	-----	PXU, PXU/A, TX2, TX2/A, TX4, TX4/A, TXDU, TXDU/A, UXU, UXU/A



E-9

CAMSHAFT



Z4M0-E0900A



Ref. No.	Part No.	Description	Reqd. QTY						Serial No.	Parts catalogue code
			GX 160 UT1	GX 160 UT2	GX 160 UT2X	GX 160 RT1	GX 160 RT2	GX 160 RT2X		
10	14751-ZF1-000	SPRING, VALVE	2	2	2	2	2	2	-----	EMAN, EMAN/A, HH26, HH26/A, HHQ4, HX2, HX2/A, HX4, HX4/A, HXE8 HXE8/A, HXU, LHN4, LHN4/A, LHQ4, LX2, LX2/A, LX26, LX4, LX4/A LXM2, LXM2/A, LXU, PXU, PXU/A, QA2, QA2/A, QA26, QAX2, QAX4 QAX4/A, QBC2, QBM2, QBM2/A, QBT6, QC9, QC9/A, QCB2, QCL, QCM QCM/A, QGR9, QGR9/A, QH26, QH26/A, QHQ4, QHQ4/A, QHQU, QKA4 QMC6, QMC6/A, QMC8, QMC8/A, QMD6, QMD6/A, QME4, QME4/A, QMP4 QMX2, QMX2/A, QMXC, QM22, QNT, QNT4, QPU, QW24, QWA4, QWA4/A QWW2, QWX2, QWX2/A, QX2, QX2/A, QX26, QX4, QX4/A, QX7, QX9 QX9/A, QXC4, QXC9, QXE2, QXE2/A, QXE4, QXE5, QXE5/A, QXE8 QXEB, QXF2, QXGB, QXM2, QXP2, QXS2, QXS2/A, QXU, QXU/A, QXW QXWE, QXWE/A, RH2, RH2/A, RHQ4, RHQ4/A, RTB2, RX4, RX4/A, RXE2 RXE2/A, RXP2, RXU, RXU/A, S1CY, S1CY/A, SCM, SCM/A, SD16 SD16/A, SG22, SG24, SG24/A, SHCC, SHCC/A, SHQ4, SHQ4/A, SHQU SHRY, SHRY/A, SMC7, SMC7/A, SMC9, SMC9/A, SMM2, SMM2/A, SMX4 SMX4/A, SMXC, SMXE, SMXE/A, SSS2, SSS2/A, SWG4, SWG4/A, SWX2 SWX2/A, SX2, SX4, SX4/A, SX7, SX9, SX9/A, SXE4, SXE5, SXE5/A SXS, SXS2, SXS4, SXS4/A, SXU, SXU/A, TCS2, TW24, TX2, TX2/A TX26, TX4, TX4/A, TXC9, TXDU, TXDU/A, TXU, UXU, UXU/A, VA2 VA2/A, VCG, VCG/A, VES6, VES6/A, VG24, VG25, VG25/A, VG29 VGE2, VGE4, VGE5, VHA9, VHH4, VHH4/A, VMS4, VPM4, VPM5, VPM8 VPM9, VPMN, VPR4, VPR9, VS17, VS19, VSD, VSD1, VSD2, VSD7, VSD9 VSD9/A, VWA2, VWS, VWS1, VWS1/A, VWW2, VWWN, VWWN/A, VX2 VX2/A, VX4, VXE9, VXE9/A, VXU1, VXU1/A, VXW2, WKS, WKS/A, WKT2 WKT2/A, WKT4, WKT6, WMB0, WMB0/A QHG4, QHG4/A, RHG4, RHG4/A, WMT4, WMT4/A
	14751-ZH8-940	2	2	2	2	2	2	-----	
11	14771-ZE1-000	RETAINER, IN. VALVE SPRING...	1	-	-	1	-	-		

E-9

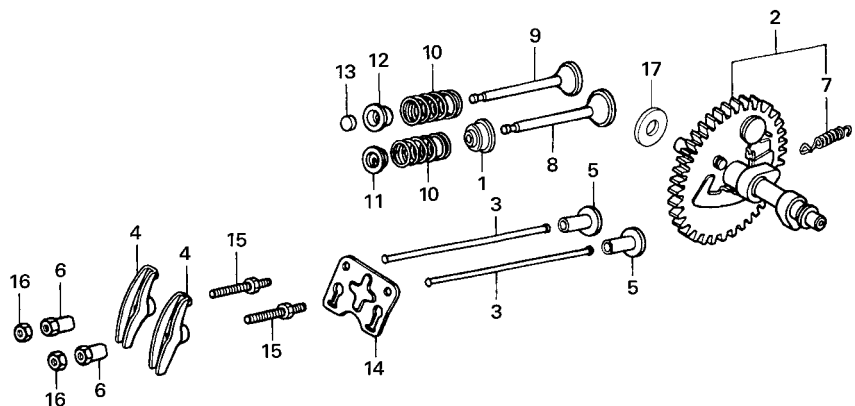
CAMSHAFT

Ref. No.	Part No.	Description	Reqd. QTY						Serial No.	Parts catalogue code
			GX 160 UT1	GX 160 UT2	GX 160 UT2X	GX 160 RT1	GX 160 RT2	GX 160 RT2X		
11)	14771-Z0T-900	RETAINER, VALVE SPRING.....	-	1	-	-	1	-	EMAN/A, HH26/A, HX2/A, HX4/A, HXE8/A, LHN4/A, LX2/A, LX4/A, LXM2/A, PXU/A, QA2/A, QAX4/A, QBM2/A, QC9, QC9/A, QCM, QCM/A, QGR9/A, QH26/A, QHG4/A, QHQ4/A, QMC6/A, QMC8/A, QMD6/A, QME4/A, QMX2/A, QMXC, QWA4/A, QWX2/A, QX2/A, QX4/A, QX9/A, QXE2/A, QXE5/A, QXEB, QXGB, QXS2/A, QXU/A, QXWE/A, RH2/A, RHG4/A, RHQ4/A, RX4/A, RXE2/A, RXU/A, S1CY/A, SCM, SGM/A, SD16/A, SG24/A, SHCC, SHCC/A, SHQ4/A, SHRY/A, SMC7/A, SMC9/A, SMW2/A, SMX4/A, SMXC, SMXE/A, SSSX2/A, SWG4/A, SWX2/A, SX4/A, SX9/A, SXE5/A, SXS4/A, SXU/A, TX2/A, TX4/A, TXDU/A, UXU/A, VA2/A, VCG, VCG/A, VES6/A, VG25, VG25/A, VHH4/A, VSD9/A, VWS1, VWS1/A, VWWN/A, VX2/A, VXE9/A, VXU1/A, WKS/A, WKT2/A, WMB0/A, WMT4/A	
	14771-ZE1-000	RETAINER, IN. VALVE SPRING...	-	1	-	-	1	-	1785060	EMAN, HH26, HHQ4, HX2, HX4, HXE8, LHN4, LHQ4, LX2, LX4, LXM2, PXU, QA2, QAX2, QAX4, QBC2, QBM2, QGR9, QH26, QHG4, QHQ4, QMC6, QMC8, QMD6, QME4, QMP4, QMX2, QPU, QWA4, QWX2, QX2, QX4, QX9, QXC9, QXE2, QXE5, QXE8, QXM2, QXS2, QXU, QXWE, RH2, RHG4, RHQ4, RX4, RXE2, RXU, S1CY, SD16, SG24, SHQ4, SHRY, SMC7, SMC9, SMW2, SMX4, SMXE, SSSX2, SWG4, SWX2, SX4, SX9, SXE5, SXS4, SXU, TX2, TX4, TXC9, TXDU, UXU, VA2, VES6, VG29, VGE4, VGE5, VHH4, VPM5, VS19, VSD9, VWS, VWWN, VX2, VXE9, VXU1, WKS, WKT2, WMB0, WMT4
	14771-Z0T-900	RETAINER, VALVE SPRING.....	-	1	-	-	1	-	1785061	EMAN, HH26, HHQ4, HX2, HX4, HXE8, LHN4, LHQ4, LX2, LX4, LXM2, PXU, QA2, QAX2, QAX4, QBC2, QBM2, QGR9, QH26, QHG4, QHQ4, QMC6, QMC8, QMD6, QME4, QMP4, QMX2, QPU, QWA4, QWX2, QX2, QX4, QX9, QXC9, QXE2, QXE5, QXE8, QXM2, QXS2, QXU, QXWE, RH2, RHG4, RHQ4, RX4, RXE2, RXU, S1CY, SD16, SG24, SHQ4, SHRY, SMC7, SMC9, SMW2, SMX4, SMXE, SSSX2, SWG4, SWX2, SX4, SX9, SXE5, SXS4, SXU, TX2, TX4, TXC9, TXDU, UXU, VA2, VES6, VG29, VGE4, VGE5, VHH4, VPM5, VS19, VSD9, VWS, VWWN, VX2, VXE9, VXU1, WKS, WKT2, WMB0, WMT4
12	14773-Z4X-000	RETAINER, EX. VALVE SPRING...	-	-	1	-	-	1	-	HH26, HHQ4, HX2, HX4, HXE8, HXU, QAX2, QAX4, QHQ4, QKA4, QNT4, QXC4, QXC9, QXE4, QXE5, QXE8, QXP2, QXW, QXWE, RH2, RHG4, RHQ4, RTB2, RX4, RXE2, RXP2, RXU, SG22, SHQU, SSSX2, SWG4, SX2, SXE4, SXE5, SXS, SXS2, TXC9, UXU, VG29, VGE2, VSD2, WMB0
	14773-ZE1-000	1	-	-	-	-	-	2411770	LHQ4, LX2, LX26, LX4, LXU, PXU, QA2, QA26, QBC2, QBM2, QBT6, QCB2, QCL, QGR9, QH26, QHG4, QHQ4, QMC6, QMC8, QMD6, QME4, QMP4, QM22, QNT, QPU, QW24, QWA4, QWW2, QWX2, QX2, QX26, QX4, QX7, QX9, QXE2, QXF2, QXS2, QXU, SD16, SG24, SHQ4, SMC7, SMC9, SWX2, SX4, SX7, SX9, SXS4, SXU, TCS2, TW24, TX2, TX26, TX4, TXDU, TXU, VA2, VG24, VGE4, VGE5, VHA9, VHH4, VMS4, VPM4, VPM5, VPM8, VPM9, VPMN, VPR4, VPR9, VS17, VS19, VSD, VSD1, VSD7, VSD9, VWA2, VWW2, VWWN, VX2, VX4, VXE9, VXU1, VXW2, WKS, WKT2, WKT4, WKT6
	14773-Z4X-000	1	-	-	-	-	-	2411771	LHQ4, LX2, LX26, LX4, LXU, PXU, QA2, QA26, QBC2, QBM2, QBT6, QCB2, QCL, QGR9, QH26, QHG4, QHQ4, QMC6, QMC8, QMD6, QME4, QMP4, QM22, QNT, QPU, QW24, QWA4, QWW2, QWX2, QX2, QX26, QX4, QX7, QX9, QXE2, QXF2, QXS2, QXU, SD16, SG24, SHQ4, SMC7, SMC9, SWX2, SX4, SX7, SX9, SXS4, SXU, TCS2, TW24, TX2, TX26, TX4, TXDU, TXU, VA2, VG24, VGE4, VGE5, VHA9, VHH4, VMS4, VPM4, VPM5, VPM8, VPM9, VPMN, VPR4, VPR9, VS17, VS19, VSD, VSD1, VSD7, VSD9, VWA2, VWW2, VWWN, VX2, VX4, VXE9, VXU1, VXW2, WKS, WKT2, WKT4, WKT6



E-9

CAMSHAFT



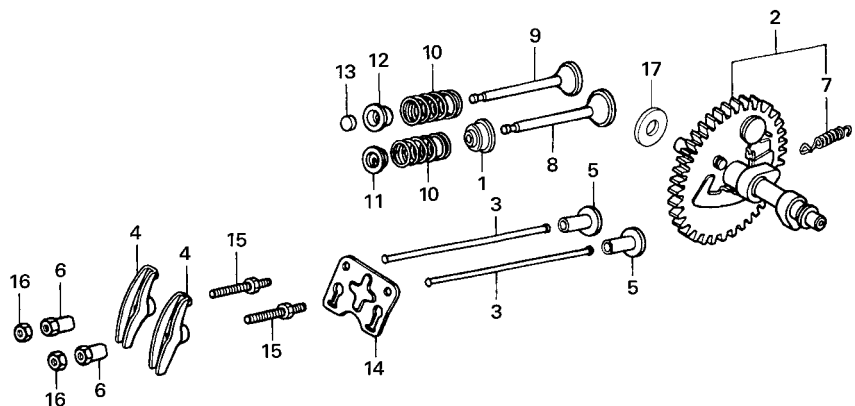
Z4M0-E0900A



Ref. No.	Part No.	Description	Reqd. QTY						Serial No.	Parts catalogue code
			GX 160 UT1	GX 160 UT2	GX 160 UT2X	GX 160 RT1	GX 160 RT2	GX 160 RT2X		
12)	14771-Z0T-900	RETAINER, VALVE SPRING..... (EXHAUST SIDE)	-	1	-	-	1	-	EMAN/A, HH26/A, HX2/A, HX4/A, HXE8/A, LHN4/A, LX2/A, LX4/A, LXM2/A, PXU/A, QA2/A, QAX4/A, QBM2/A, QC9, QC9/A, QCM, QCM/A, QGR9/A, QH26/A, QHG4/A, QHQ4/A, QMC6/A, QMC8/A, QMD6/A, QME4/A, QMX2/A, QMXC, QWA4/A, QWX2/A, QX2/A, QX4/A, QX9/A, QXE2/A, QXE5/A, QXEB, QXGB, QXS2/A, QXU/A, QXWE/A, RH2/A, RHG4/A, RHQ4/A, RX4/A, RXE2/A, RXU/A, S1CY/A, SCM, SCM/A, SD16/A, SG24/A, SHCC, SHCC/A, SHQ4/A, SHRY/A, SMC7/A, SMC9/A, SMW2/A, SMX4/A, SMXC, SMXE/A, SSX2/A, SWG4/A, SWX2/A, SX4/A, SX9/A, SXE5/A, SXS4/A, SXU/A, TX2/A, TX4/A, TXDU/A, UXU/A, VA2/A, VCG, VCG/A, VES6/A, VG25, VG25/A, VHH4/A, VSD9/A, VWS1, VWS1/A, VWWN/A, VX2/A, VXE9/A, VXU1/A, WKS/A, WKT2/A, WMB0/A, WMT4/A	
	14771-ZE1-000	RETAINER, IN. VALVE SPRING... (EXHAUST SIDE)	-	1	-	-	1	-	1785060 EMAN, HH26, HHQ4, HX2, HX4, HXE8, LHN4, LHQ4, LX2, LX4, LXM2, PXU, QA2, QAX2, QAX4, QBC2, QBM2, QGR9, QH26, QHG4, QHQ4, QMC6, QMC8, QMD6, QME4, QMP4, QMX2, QPU, QWA4, QWX2, QX2, QX4, QX9, QXC9, QXE2, QXE5, QXE8, QXM2, QXS2, QXU, QXWE, RH2, RHG4, RHQ4, RX4, RXE2, RXU, S1CY, SD16, SG24, SHQ4, SHRY, SMC7, SMC9, SMW2, SMX4, SMXE, SSX2, SWG4, SWX2, SX4, SX9, SXE5, SXS4, SXU, TX2, TX4, TXC9, TXDU, UXU, VA2, VES6, VG29, VGE4, VGE5, VHH4, VPM5, VS19, VSD9, VWS, VWWN, VX2, VXE9, VXU1, WKS, WKT2, WMB0, WMT4	

E-9

CAMSHAFT



Z4M0-E0900A

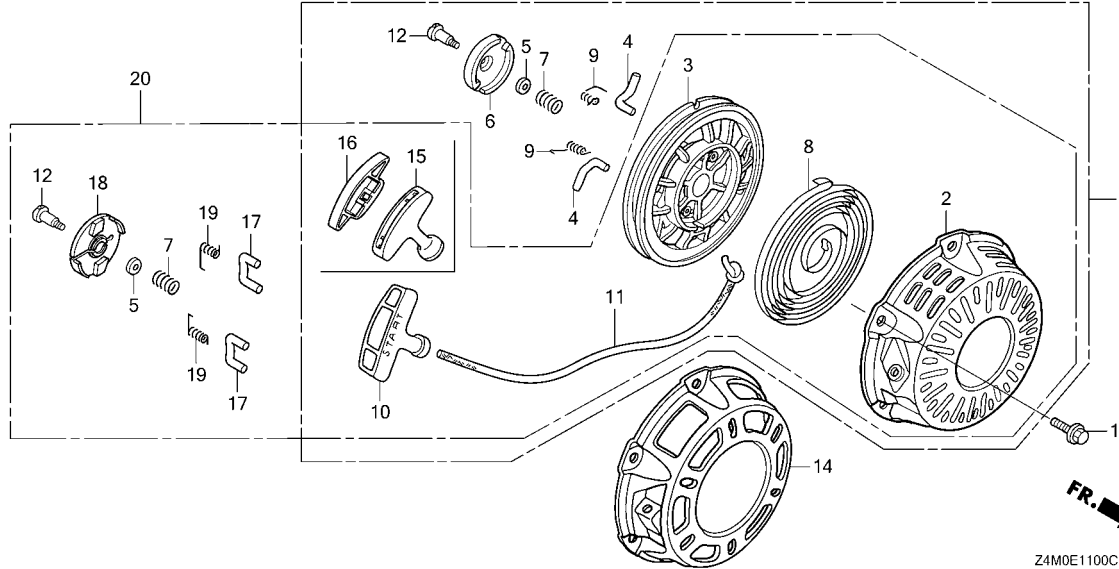


Ref. No.	Part No.	Description	Reqd. QTY						Serial No.	Parts catalogue code
			GX 160 UT1	GX 160 UT2	GX 160 UT2X	GX 160 RT1	GX 160 RT2	GX 160 RT2X		
12)	14771-Z0T-900	RETAINER, VALVE SPRING (EXHAUST SIDE)	-	1	-	-	1	-	1785061 -----	EMAN, HH26, HHQ4, HX2, HX4, HXE8, LHN4, LHQ4, LX2, LX4, LXM2, PXU, QA2, QAX2, QAX4, QBC2, QBM2, QGR9, QH26, QHG4, QHQ4, QMC6, QMC8, QMD6, QME4, QMP4, QMX2, QPU, QWA4, QWX2, QX2, QX4, QX9, QXC9, QXE2, QXE5, QXE8, QXM2, QXS2, QXU, QXWE, RH2, RHG4, RHQ4, RX4, RXE2, RXU, S1CY, SD16, SG24, SHQ4, SHRY, SMC7, SMC9, SMW2, SMX4, SMXE, SSS2, SWG4, SWX2, SX4, SX9, SXE5, SXS4, SXU, TX2, TX4, TXC9, TXDU, UXU, VA2, VES6, VG29, VGE4, VGE5, VHH4, VPM5, VS19, VSD9, VWS, VWWN, VX2, VXE9, VXU1, WKS, WKT2, WMB0, WMT4
13	14781-ZE1-000	ROTATOR, VALVE	1	-	1	-	-	1		
14	14791-ZE1-010	PLATE, PUSH ROD GUIDE	1	-	-	1	-	-		
	14791-Z4M-000	-	1	1	-	1	1		
15	90012-ZE0-010	BOLT, PIVOT, 8MM	2	2	2	2	2	2		
16	90206-ZE1-000	NUT, PIVOT ADJUSTING	2	2	2	2	2	2		
17	90413-Z0T-880	WASHER, THRUST, 14.1MM	1	-	-	-	-	-	----- QX9, SX9, SXS, VHA9, VPM8, VPM9, VPR9, VS19, VSD9, VXE9	



E-11

RECOIL STARTER



Ref. No.	L.O.N.	(Relative ref. Number) Description	F.R.T.
1		(20)	
1121B9		STARTER, RECOIL	0.1
3	1121B1	REEL, RECOIL STARTER	0.3
4		(9,17,19)	
1121B0		STARTER RATCHET AND/OR SPRING .NOTE: Same time for two units	0.2
6		(7,18)	
1121A4		GUIDE, RATCHET	0.2
8	1121B7	SPRING, RECOIL STARTER RETURN	0.3
10		(15)	
1121A3		GRIP, RECOIL STARTER	0.1
11	1121B3	ROPE, RECOIL STARTER	0.3

Z4M0E1100C

FR. →

Ref. No.	Part No.	Description	Reqd. QTY						Serial No.	Parts catalogue code
			GX 160 UT1	GX 160 UT2	GX 160 UT2X	GX 160 RT1	GX 160 RT2	GX 160 RT2X		
1	28400-ZH8-023YA	STARTER ASSY., RECOIL *R280*.....POWER RED	1	-	-	1	-	-	2566537	HH26, HHQ4, HX2, HX4, HXE8, HXU, LHQ4, LX2, LX26, LX4, LXU, PXU QA2, QA26, QAX2, QBC2, QBM2, QBT6, QCL, QGR9, QH26, QHG4, QHQ4 QKA4, QMC6, QMC8, QMD6, QME4, QMP4, QM22, QNT, QNT4, QPU, QWA4 QWX2, QX2, QX26, QX4, QX7, QX9, QXC9, QXE2, QXE4, QXE5, QXE8 QXF2, QXS2, QXU, QXW, QXWE, RH2, RHG4, RHQ4, RTB2, RX4, RXE2 RXU, SD16, SG24, SHQ4, SMC7, SMC9, SX4, SX7, SX9, SXE4, SXE5 SXS4, SXU, TCS2, TX2, TX26, TX4, TXC9, TXDU, TXU, UXU, VA2, VG24 VGE4, VHA9, VHH4, VMS4, VPM4, VPM5, VPM8, VPM9, VPMN, VPR4 VPR9, VS17, VS19, VSD, VSD1, VSD7, VSD9, VWA2, VX2, VX4, VXE9 VXU1, VXW2, WKS, WKT2, WKT4, WKT6, WMB0
	28400-ZH8-033ZB	*NH1*.....BLACK	1	-	-	-	-	-	2448020	QXC4, SG22, VGE2
	28400-ZH8-023ZG	*NH105*....MAT BLACK(#15-#20)	1	-	-	-	-	-	2521239	QWW2, QWX2, SWX2, TW24, VWA2, VWW2, VWWN
	28400-ZH8-023ZB	*NH1*.....BLACK	1	-	-	-	-	-	2521239	HX2, LX2, PXU, QA2, QA26, QBC2, QBM2, QBT6, QCB2, QCL, QGR9 QH26, QHQ4, QMC6, QMC8, QMD6, QME4, QM22, QNT, QPU, QW24, QWA4 QWW2, QWX2, QX2, QX26, QX4, QX7, QX9, QXC9, QXE2, QXF2, QXS2 QXU, RH2, SD16, SG24, SHQ4, SMC7, SMC9, SSS2, SX4, SX7, SX9 SXS4, SXU, TCS2, TW24, TX2, TX26, TX4, TXU, VA2, VG24, VGE4 VHH4, VMS4, VPM4, VPR4, VPR9, VSD, VSD1, VSD7, VSD9, VWA2, VX2 VX4, VXU1, VXW2, WKS, WKT6
	28400-ZH8-823ZC	STARTER ASSY., RECOIL (LONG ROPE)								
	NH1.....BLACK		1	-	-	-	-	-	2581976	VG29
	28400-ZH8-033YA	STARTER ASSY., RECOIL *R280*.....POWER RED	1	-	-	-	-	-	2651205	QAX4, QHQ4, QXC4, SHQU, SX2, SXS, SXS2, VSD2
			1	-	-	-	-	-	2766878	QXP2, RXP2
	28400-ZH8-033ZG	*NH105*....MAT BLACK(#15-#20)	1	-	-	-	-	2448021	2521239	QWW2, QWX2, SWX2, TW24, VWA2, VWW2, VWWN

2

E-11

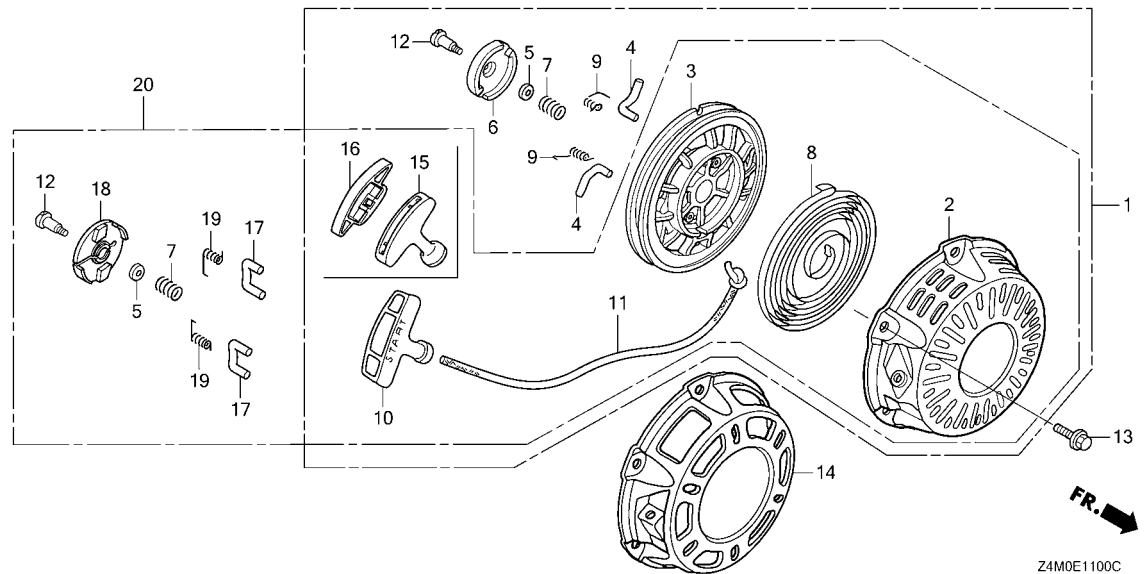
RECOIL STARTER

Ref. No.	Part No.	Description	Reqd. QTY						Serial No.	Parts catalogue code
			GX 160 UT1	GX 160 UT2	GX 160 UT2X	GX 160 RT1	GX 160 RT2	GX 160 RT2X		
(1)	28400-ZH8-033ZB	STARTER ASSY., RECOIL *NH1*.....BLACK	1	-	-	-	-	-	2521240 2651205	HX2, LX2, PXU, QA2, QA26, QBC2, QBM2, QBT6, QCB2, QCL, QGR9, QH26, QHQ4, QMC6, QMC8, QMD6, QME4, QMZ2, QNT, QPU, QW24, QWA4, QWW2, QWX2, QX2, QX26, QX4, QX7, QX9, QXC9, QXE2, QXF2, QXS2, QXU, RH2, SD16, SG24, SHQ4, SMC7, SMC9, SSX2, SX4, SX7, SX9, SXS4, SXU, TCS2, TW24, TX2, TX26, TX4, TXU, VA2, VG24, VGE4, VHH4, VMS4, VPM4, VPR4, VPR9, VSD, VSD1, VSD7, VSD9, VWA2, VX2, VX4, VXU1, VXW2, WKS, WKT6
	28400-ZH8-033YA	*R280*.....POWER RED	1	-	-	-	-	-	2566538 2651205	HH26, HHQ4, HX2, HX4, HXE8, HXU, LHQ4, LX2, LX26, LX4, LXU, PXU, QA2, QA26, QAX2, QBC2, QBM2, QBT6, QCL, QGR9, QH26, QHG4, QHQ4, QKA4, QMC6, QMC8, QMD6, QME4, QMP4, QMZ2, QNT, QNT4, QPU, QWA4, QWX2, QX2, QX26, QX4, QX7, QX9, QXC9, QXE2, QXE4, QXE5, QXE8, QXF2, QXS2, QXU, QXW, QXWE, RH2, RHQ4, RTB2, RX4, RXE2, RXU, SD16, SG24, SHQ4, SMC7, SMC9, SX4, SX7, SX9, SXE4, SXE5, SXS4, SXU, TCS2, TX2, TX26, TX4, TXC9, TXDU, TXU, UXU, VA2, VG24, VGE4, VHA9, VHH4, VMS4, VPM4, VPM5, VPM8, VPM9, VPMN, VPR4, VPR9, VS17, VS19, VSD, VSD1, VSD7, VSD9, VWA2, VX2, VX4, VXE9, VXU1, VXW2, WKS, WKT2, WKT4, WKT6, WMB0
	28400-ZH8-824ZC	STARTER ASSY., RECOIL (LONG ROPE) *NH1*.....BLACK	1	-	-	-	-	-	2581977 -----	VG29
	28400-Z0T-003ZB	STARTER ASSY., RECOIL *R280*.....POWER RED	1	-	-	-	-	-	2651206 -----	HH26, HHQ4, HX2, HX4, HXE8, HXU, LHQ4, LX2, LX26, LX4, LXU, PXU, QA2, QA26, QAX2, QAX4, QBC2, QBM2, QBT6, QCL, QGR9, QH26, QHG4, QHQ4, QHQ4, QKA4, QMC6, QMC8, QMD6, QME4, QMP4, QMZ2, QNT, QNT4, QPU, QWA4, QWX2, QX2, QX26, QX4, QX7, QX9, QXC4, QXC9, QXE2, QXE4, QXE5, QXE8, QXF2, QXS2, QXU, QXW, QXWE, RH2, RHQ4, RTB2, RX4, RXE2, RXU, SD16, SG24, SHQ4, SHQU, SMC7, SMC9, SX2, SX4, SX7, SX9, SXE4, SXE5, SXS, SXS2, SXS4, SXU, TCS2, TX2, TX26, TX4, TXC9, TXDU, TXU, UXU, VA2, VG24, VGE4, VHA9, VHH4, VMS4, VPM4, VPM5, VPM8, VPM9, VPMN, VPR4, VPR9, VS17, VS19, VSD, VSD1, VSD2, VSD7, VSD9, VWA2, VX2, VX4, VXE9, VXU1, VXW2, WKS, WKT2, WKT4, WKT6, WMB0
	28400-Z0T-003ZA	*NH1*.....BLACK	1	-	-	-	-	-	2651206 -----	HX2, LX2, PXU, QA2, QA26, QBC2, QBM2, QBT6, QCB2, QCL, QGR9, QH26, QHQ4, QMC6, QMC8, QMD6, QME4, QMZ2, QNT, QPU, QW24, QWA4, QWW2, QWX2, QX2, QX26, QX4, QX7, QX9, QXC4, QXC9, QXE2, QXF2, QXS2, QXU, RH2, SD16, SG22, SG24, SHQ4, SMC7, SMC9, SSX2, SX4, SX7, SX9, SXS4, SXU, TCS2, TW24, TX2, TX26, TX4, TXU, VA2, VG24, VGE2, VGE4, VHH4, VMS4, VPM4, VPR4, VPR9, VSD, VSD1, VSD7, VSD9, VWA2, VX2, VX4, VXU1, VXW2, WKS, WKT2, WKT6
	28400-Z0T-003ZG	*NH105*....MAT BLACK(#15-#20)	1	-	-	-	-	-	2651206 -----	QWW2, QWX2, SWX2, TW24, VWA2, VWW2, VWWN
	28400-Z0T-003ZB	*R280*.....POWER RED	1	-	-	-	-	-	2766879 -----	QXP2, RXP2
	28400-Z4M-003ZA	*R280*.....POWER RED	-	1	-	-	1	-	-----	HHQ4, LHQ4, LX2, QBC2, QWX2, QXE8, VGE4
	28400-Z4M-305ZB	STARTER ASSY., RECOIL(COO) (FOR U.S.A.) *R280*.....POWER RED	-	1	-	-	1	-	-----	HHQ4, LHQ4, QBC2, QXE8, TXC9, VGE4
	28400-Z4M-003ZC	STARTER ASSY., RECOIL *NH1*.....BLACK	-	1	-	-	1	-	-----	LX2, QBC2, QWX2, VGE4
	28400-Z4M-305ZD	STARTER ASSY., RECOIL(COO) (FOR U.S.A.) *NH1*.....BLACK	-	1	-	-	1	-	-----	QBC2, VGE4
			-	1	-	-	1	-	2530950 -----	EMAN, HX2, LX2, PXU, QGR9, QH26, QHQ4, QMC6, QME4, QMX2, QMXC, QPU, QWX2, QX2, QX4, QX9, QXC9, QXE2, QXS2, QXU, RH2, SD16, SHQ4, SMX4, SMXC, SMXE, SSX2, SWX2, SX4, SX9, SXS4, SXU, TX2, TX4, VA2, VES6, VHH4, VWWN, VX2, VXU1, WKS, WKT2



E-11

RECOIL STARTER



Ref. No.	Part No.	Description	Reqd. QTY						Serial No.	Parts catalogue code
			GX 160 UT1	GX 160 UT2	GX 160 UT2X	GX 160 RT1	GX 160 RT2	GX 160 RT2X		
(1)	28400-Z4M-003ZC	STARTER ASSY., RECOIL *NH1*.....BLACK	-	1	-	-	1	-	2530950	EMAN, HX2, LX2, PXU, QGR9, QH26, QHQ4, QMC6, QME4, QMX2, QMxC QPU, QWX2, QX2, QX4, QX9, QXE2, QXS2, QXU, RH2, SD16, SHQ4, SMXC SSX2, SWX2, SX4, SX9, SXS4, SXU, TX2, TX4, VA2, VES6, VHH4, VWWN VX2, VXU1, WKS, WKT2
	28400-Z4M-305ZB	STARTER ASSY., RECOIL(COO) (FOR U.S.A.) *R280*.....POWER RED	-	1	-	-	1	-	2530950	HH26, HX2, HX4, HXE8, LHN4, LX2, LX4, LXM2, PXU, QAX2, QAX4 QGR9, QH26, QHG4, QHQ4, QMC6, QME4, QMP4, QPU, QWX2, QX2, QX4 QX9, QXC9, QXE2, QXE5, QXM2, QXS2, QXU, QXWE, RH2, RHG4, RHQ4 RX4, RXE2, RXU, S1CY, SD16, SHQ4, SMM2, SMXC, SMXE, SX4, SX9 SXE5, SXS4, SXU, TX2, TX4, TXDU, UXU, VA2, VES6, VHH4, VPM5 VS19, VSD9, VX2, VXE9, VXU1, WKS, WKT2, WMB0, WMT4
	28400-Z4M-003ZA	STARTER ASSY., RECOIL *R280*.....POWER RED	-	1	-	-	1	-	2530950	HH26, HX2, HX4, HXE8, LHN4, LX2, LX4, LXM2, PXU, QAX2, QAX4 QGR9, QH26, QHG4, QHQ4, QMC6, QME4, QMP4, QPU, QWX2, QX2, QX4 QX9, QXE2, QXE5, QXM2, QXS2, QXU, QXWE, RH2, RHG4, RHQ4, RX4 RXE2, RXU, S1CY, SD16, SHQ4, SMM2, SMXC, SX4, SX9, SXE5, SXS4 SXU, TX2, TX4, TXDU, UXU, VA2, VES6, VHH4, VPM5, VS19, VSD9, VX2 VXE9, VXU1, WKS, WKT2, WMB0
	28400-Z4M-305ZB	STARTER ASSY., RECOIL(COO) (FOR U.S.A.) *R280*.....POWER RED	-	1	-	-	-	-	2546985	QA2, QBM2, QMC8, QMD6, QWA4, SG24, SHRY, SMC7, SMC9
	28400-Z4M-305ZD	*NH1*.....BLACK	-	1	-	-	-	-	2546985	QA2, QBM2, QMC8, QMD6, QWA4, SG24, SMC7, SMC9
	28400-Z4M-003ZA	STARTER ASSY., RECOIL *R280*.....POWER RED	-	1	-	-	-	-	2546985	QA2, QBM2, QMC8, QMD6, QWA4, SHRY, SMC7, SMC9
	28400-Z4M-003ZC	*NH1*.....BLACK	-	1	-	-	-	-	2546985	QA2, QBM2, QMC8, QMD6, QWA4, SMC7, SMC9

E-11

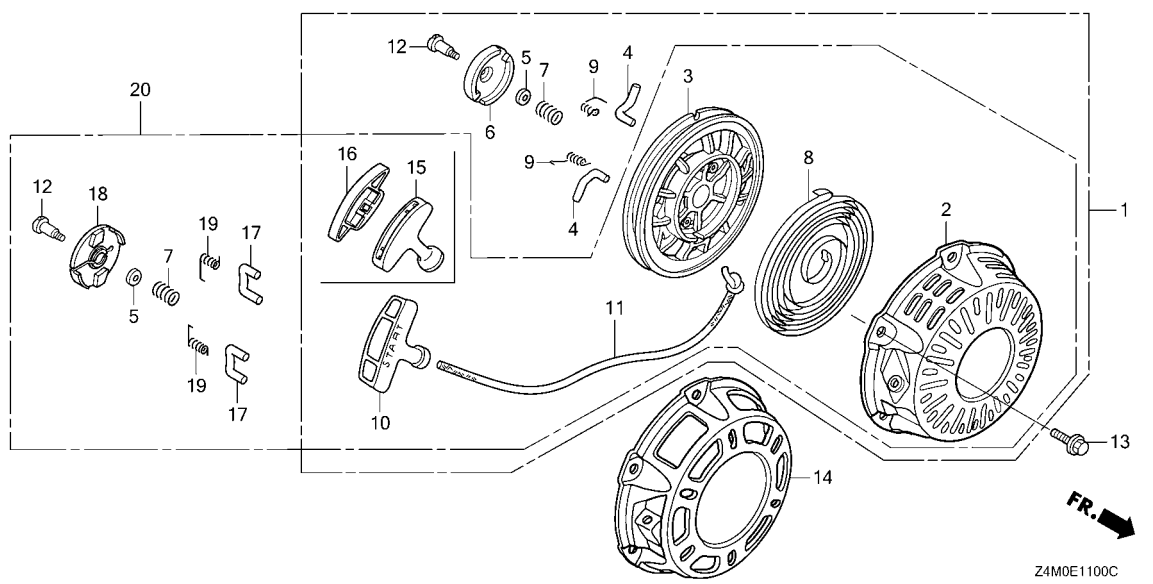
RECOIL STARTER

Ref. No.	Part No.	Description	Reqd. QTY						Serial No.	Parts catalogue code
			GX 160 UT1	GX 160 UT2	GX 160 UT2X	GX 160 RT1	GX 160 RT2	GX 160 RT2X		
(1)	28400-ZH8-824ZC	STARTER ASSY., RECOIL (LONG ROPE)								
		NH1.....BLACK	-	1	-	-	-	-	----- 2549163 VG29	
	28400-ZH8-033YA	STARTER ASSY., RECOIL								
		R280.....POWER RED	-	-	-	1	-	-	2566538 2679766 RHG4	
	28400-Z0T-003ZB	*R280*.....POWER RED	-	-	-	1	-	-	2679767 ----- RHG4	
2	28410-ZH8-003YA	CASE COMP., RECOIL STARTER								
		R280.....POWER RED	1	-	-	1	-	-	----- HH26, HHQ4, HX2, HX4, HXE8, HXU, LHQ4, LX2, LX26, LX4, LXU, PXU QA2, QA26, QAX2, QAX4, QBC2, QBM2, QBT6, QCL, QGR9, QH26, QHG4 QHQ4, QHQ4, QKA4, QMC6, QMC8, QMD6, QME4, QMP4, QM22, QNT, QNT4 QPU, QWA4, QWX2, QX2, QX26, QX4, QX7, QX9, QXC4, QXC9, QXE2 QXE4, QXE5, QXE8, QXF2, QXP2, QXS2, QXU, QXW, QXWE, RH2, RHG4 RHQ4, RTB2, RX4, RXE2, RXP2, RXU, SD16, SG24, SHQ4, SHQU, SMC7 SMC9, SX2, SX4, SX7, SX9, SXE4, SXE5, SXS, SXS2, SXS4, SXU, TCS2 TX2, TX26, TX4, TXC9, TXDU, TXU, UXU, VA2, VG24, VGE4, VHA9 VHH4, VMS4, VPM4, VPM5, VPM8, VPM9, VPMN, VPR4, VPR9, VS17 VS19, VSD, VSD1, VSD2, VSD7, VSD9, VWA2, VX2, VX4, VXE9, VXU1 VXW2, WKS, WKT2, WKT4, WKT6, WMB0	
	28410-ZH8-003ZB	*NH1*.....BLACK	1	-	-	-	-	-	----- HX2, LX2, PXU, QA2, QA26, QBC2, QBM2, QBT6, QCB2, QCL, QGR9 QH26, QHQ4, QMC6, QMC8, QMD6, QME4, QM22, QNT, QPU, QW24, QWA4 QWW2, QWX2, QX2, QX26, QX4, QX7, QX9, QXC4, QXC9, QXE2, QXF2 QXS2, QXU, RH2, SD16, SG22, SG24, SHQ4, SMC7, SMC9, SXS2, SX4 SX7, SX9, SXS4, SXU, TCS2, TW24, TX2, TX26, TX4, TXU, VA2, VG24 VG29, VGE2, VGE4, VHH4, VMS4, VPM4, VPR4, VPR9, VSD, VSD1, VSD7 VSD9, VWA2, VX2, VX4, VXU1, VXW2, WKS, WKT2, WKT6	
	28410-ZH8-003ZG	*NH105*....MAT BLACK(#15-#20)	1	-	-	-	-	-	----- QWW2, QWX2, SWX2, TW24, VWA2, VWW2, VWWN	
	28410-Z4M-003ZB	*R280*.....POWER RED	-	1	1	-	1	-	----- HH26, HH26/A, HHQ4, HX2, HX2/A, HX4, HX4/A, HXE8, HXE8/A, LHN4 LHN4/A, LHQ4, LX2, LX2/A, LX4, LX4/A, LXM2, LXM2/A, PXU, PXU/A QA2, QA2/A, QAX2, QAX4, QAX4/A, QBC2, QBM2, QBM2/A, QC9, QC9/A QGR9, QGR9/A, QH26, QH26/A, QHG4, QHG4/A, QHQ4, QHQ4/A, QMC6 QMC6/A, QMC8, QMC8/A, QMD6, QMD6/A, QME4, QME4/A, QMP4, QPU QWA4, QWA4/A, QWX2, QWX2/A, QX2, QX2/A, QX4, QX4/A, QX9, QX9/A QXC9, QXE2, QXE2/A, QXE5, QXE5/A, QXE8, QXE8, QXGB, QXM2, QXS2 QXS2/A, QXU, QXU/A, QXWE, QXWE/A, RH2, RH2/A, RHG4, RHG4/A RHQ4, RHQ4/A, RX4, RX4/A, RXE2, RXE2/A, RXU, RXU/A, S1CY S1CY/A, SCM, SCM/A, SD16, SD16/A, SG24, SG24/A, SHCC, SHCC/A SHQ4, SHQ4/A, SHRY, SHRY/A, SMC7, SMC7/A, SMC9, SMC9/A, SMM2 SMM2/A, SMXC, SMXE, SMXE/A, SX4, SX4/A, SX9, SX9/A, SXE5 SXE5/A, SXS4, SXS4/A, SXU, SXU/A, TX2, TX2/A, TX4, TX4/A, TXC9 TXDU, TXDU/A, UXU, UXU/A, VA2, VA2/A, VES6, VES6/A, VGE4, VHH4 VHH4/A, VPM5, VS19, VSD9, VSD9/A, VX2, VX2/A, VXE9, VXE9/A VXU1, VXU1/A, WKS, WKS/A, WKT2, WKT2/A, WMB0, WMB0/A, WMT4 WMT4/A	
	28410-ZH8-003ZB	*NH1*.....BLACK	-	1	1	-	-	-	----- VCG, VCG/A, VG25, VG25/A, VG29	



E-11

RECOIL STARTER



Ref. No.	Part No.	Description	Reqd. QTY						Serial No.	Parts catalogue code
			GX 160 UT1	GX 160 UT2	GX 160 UT2X	GX 160 RT1	GX 160 RT2	GX 160 RT2X		
(2)	28410-Z4M-003ZD	CASE COMP., RECOIL STARTER								
		NH1.....BLACK	-	1	-	-	1	1	-----	EMAN, EMAN/A, HX2, HX2/A, LX2, LX2/A, PXU, PXU/A, QA2, QA2/A, QBC2, QBM2, QBM2/A, QC9, QC9/A, QCM, QCM/A, QGR9, QGR9/A, QH26, QH26/A, QHQ4, QHQ4/A, QMC6, QMC6/A, QMC8, QMC8/A, QMD6, QMD6/A, QME4, QME4/A, QMX2, QMX2/A, QMXC, QPU, QWA4, QWA4/A, QWX2, QWX2/A, QX2, QX2/A, QX4, QX4/A, QX9, QX9/A, QXC9, QXE2, QXE2/A, QXEB, QXGB, QXS2, QXS2/A, QXU, QXU/A, RH2, RH2/A, S1CY, S1CY/A, SCM, SCM/A, SD16, SD16/A, SG24, SG24/A, SHQ4, SHQ4/A, SHRY, SHRY/A, SMC7, SMC7/A, SMC9, SMC9/A, SMX4, SMX4/A, SMXC, SMXE, SMXE/A, SSS2, SSS2/A, SWX2, SWX2/A, SX4, SX4/A, SX9, SX9/A, SXS4, SXS4/A, SXU, SXU/A, TX2, TX2/A, TX4, TX4/A, VA2, VA2/A, VES6, VES6/A, VGE4, VHH4, VHH4/A, VWS1, VWS1/A, VWWN, VWWN/A, VX2, VX2/A, VXU1, VXU1/A, WKS, WKS/A, WKT2, WKT2/A, HX2, LX2, PXU, QA2, QBM2, QC9, QCM, QGR9, QH26, QHQ4, QMC6, QMC8, QMD6, QME4, QMX2, QWA4, QX2, QX4, QX9, QXE2, QXEB, QXGB, QXU, RH2, SCM, SD16, SG24, SHQ4, SHRY, SMC7, SMX4, SMXE, SSS2, SWX2, SX4, SXS4, SXU, TX2, TX4, VA2, WKS, WKT2, QHG4, RHG4, VES6, VWWN
	28410-Z4M-003ZB	*R280*.....POWER RED	-	-	-	-	-	1	-----	

E-11

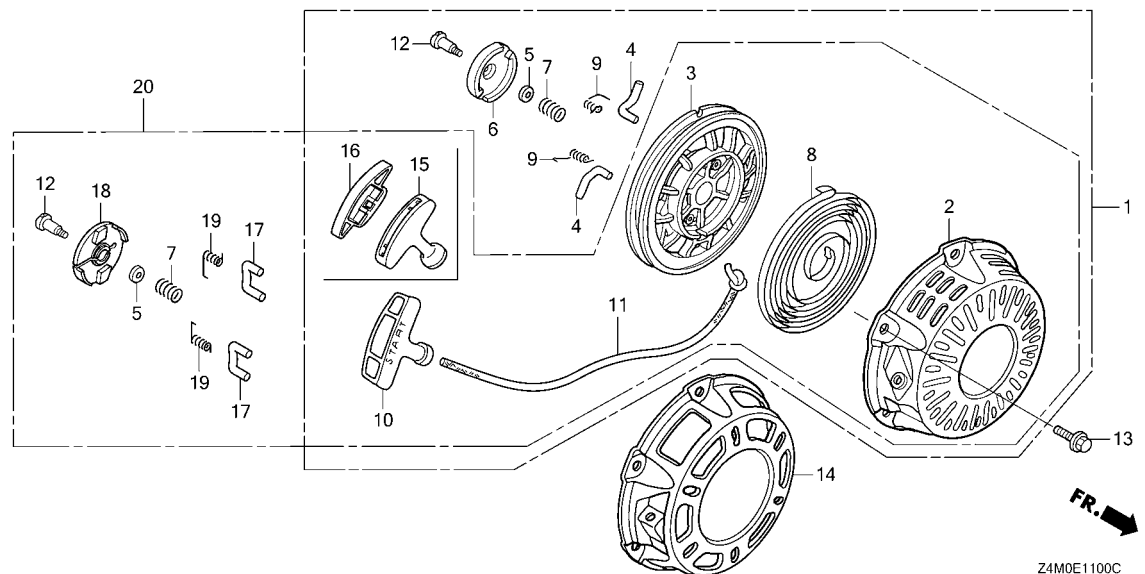
RECOIL STARTER

Ref. No.	Part No.	Description	Reqd. QTY						Serial No.	Parts catalogue code
			GX 160 UT1	GX 160 UT2	GX 160 RT1	GX 160 RT2	GX 160 RT2	GX 160 RT2X		
3	28421-ZH8-801	REEL, RECOIL STARTER(BLACK)··	1	-	-	-	-	-	----- 2651205	HH26, HHQ4, HX2, HX4, HXE8, HXU, LHQ4, LX2, LX26, LX4, LXU, PXU QA2, QA26, QAX2, QAX4, QBC2, QBM2, QBT6, QCB2, QCL, QGR9, QH26 QHG4, QHQ4, QHQ4, QKA4, QMC6, QMC8, QMD6, QME4, QMP4, QM22, QNT QNT4, QPU, QW24, QWA4, QWW2, QWX2, QX2, QX26, QX4, QX7, QX9 QXC4, QXC9, QXE2, QXE4, QXE5, QXE8, QXF2, QXS2, QXU, QXW, QXWE RH2, RHQ4, RTB2, RX4, RXE2, RXU, SD16, SG22, SG24, SHQ4, SHQU SMC7, SMC9, SSSX2, SWX2, SX2, SX4, SX7, SX9, SXE4, SXE5, SXS SXS2, SXS4, SXU, TCS2, TW24, TX2, TX26, TX4, TXC9, TXDU, TXU UXU, VA2, VG24, VG29, VGE2, VGE4, VHA9, VHH4, VMS4, VPM4, VPM5 VPM8, VPM9, VPMN, VPR4, VPR9, VS17, VS19, VSD, VSD1, VSD2, VSD7 VSD9, VWA2, VWW2, VWWN, VX2, VX4, VXE9, VXU1, VXW2, WKS, WKT2 WKT4, WKT6, WMB0
	28421-Z0T-003	REEL, RECOIL STARTER·········	1	-	-	-	-	-	----- 2766878	QXP2, RXP2
			1	-	-	-	-	-	----- 2651206	HH26, HHQ4, HX2, HX4, HXE8, HXU, LHQ4, LX2, LX26, LX4, LXU, PXU QA2, QA26, QAX2, QAX4, QBC2, QBM2, QBT6, QCB2, QCL, QGR9, QH26 QHG4, QHQ4, QHQ4, QKA4, QMC6, QMC8, QMD6, QME4, QMP4, QM22, QNT QNT4, QPU, QW24, QWA4, QWW2, QWX2, QX2, QX26, QX4, QX7, QX9 QXC4, QXC9, QXE2, QXE4, QXE5, QXE8, QXF2, QXS2, QXU, QXW, QXWE RH2, RHQ4, RTB2, RX4, RXE2, RXU, SD16, SG22, SG24, SHQ4, SHQU SMC7, SMC9, SSSX2, SWX2, SX2, SX4, SX7, SX9, SXE4, SXE5, SXS SXS2, SXS4, SXU, TCS2, TW24, TX2, TX26, TX4, TXC9, TXDU, TXU UXU, VA2, VG24, VG29, VGE2, VGE4, VHA9, VHH4, VMS4, VPM4, VPM5 VPM8, VPM9, VPMN, VPR4, VPR9, VS17, VS19, VSD, VSD1, VSD2, VSD7 VSD9, VWA2, VWW2, VWWN, VX2, VX4, VXE9, VXU1, VXW2, WKS, WKT2 WKT4, WKT6, WMB0
	28421-Z1T-702	REEL, RECOIL STARTER(BLACK)··	1	-	-	-	-	-	----- 2766879	QXP2, RXP2
			-	1	-	-	1	-	-----	EMAN/A, HH26/A, HX2/A, HX4/A, HXE8/A, LHN4/A, LX2/A, LX4/A LXM2/A, PXU/A, QA2/A, QAX4/A, QBM2/A, QC9, QC9/A, QCM, QCM/A QGR9/A, QH26/A, QHG4/A, QHQ4/A, QMC6/A, QMC8/A, QMD6/A QME4/A, QMX2/A, QWA4/A, QWX2/A, QX2/A, QX4/A, QX9/A, QXE2/A QXE5/A, QXEB, QXGB, QXS2/A, QXU/A, QXWE/A, RH2/A, RHG4/A RHQ4/A, RX4/A, RXE2/A, RXU/A, S1CY/A, SCM, SCM/A, SD16/A SG24/A, SHCC, SHCC/A, SHQ4/A, SHRY/A, SMC7/A, SMC9/A, SMM2/A SMX4/A, SMXE/A, SSSX2/A, SWX2/A, SX4/A, SX9/A, SXE5/A, SXS4/A SXU/A, TX2/A, TX4/A, TXDU/A, UXU/A, VA2/A, VCG, VCG/A, VES6/A VG25, VG25/A, VHH4/A, VSD9/A, VWS1, VWS1/A, VWWN/A, VX2/A VXE9/A, VXU1/A, WKS/A, WKT2/A, WMB0/A, WMT4/A
	28421-Z0T-003	REEL, RECOIL STARTER·········	-	1	-	-	1	-	-----	HHQ4, LHQ4, QBC2, QXE8, TXC9, VGE4
			-	1	-	-	1	-	----- 2530950	EMAN, HH26, HX2, HX4, HXE8, LHN4, LX2, LX4, LXM2, PXU, QAX2 QAX4, QGR9, QH26, QHG4, QHQ4, QMC6, QME4, QMP4, QMX2, QMXC, QPU QWX2, QX2, QX4, QX9, QXC9, QXE2, QXE5, QXM2, QXS2, QXU, QXWE RH2, RHG4, RHQ4, RX4, RXE2, RXU, S1CY, SD16, SHQ4, SMM2, SMX4 SMXC, SMXE, SSSX2, SWX2, SX4, SX9, SXE5, SXS4, SXU, TX2, TX4 TXDU, UXU, VA2, VES6, VHH4, VPM5, VS19, VSD9, VWWN, VX2, VXE9 VXU1, WKS, WKT2, WMB0, WMT4
	28421-Z1T-702	REEL, RECOIL STARTER(BLACK)··	-	1	-	-	1	-	----- 2530951	EMAN, HH26, HX2, HX4, HXE8, LHN4, LX2, LX4, LXM2, PXU, QAX2 QAX4, QGR9, QH26, QHG4, QHQ4, QMC6, QME4, QMP4, QMX2, QMXC, QPU QWX2, QX2, QX4, QX9, QXC9, QXE2, QXE5, QXM2, QXS2, QXU, QXWE RH2, RHG4, RHQ4, RX4, RXE2, RXU, S1CY, SD16, SHQ4, SMM2, SMX4 SMXC, SMXE, SSSX2, SWX2, SX4, SX9, SXE5, SXS4, SXU, TX2, TX4 TXDU, UXU, VA2, VES6, VHH4, VPM5, VS19, VSD9, VWWN, VX2, VXE9 VXU1, WKS, WKT2, WMB0, WMT4
	28421-Z0T-003	REEL, RECOIL STARTER·········	-	1	-	-	-	-	----- 2546985	QA2, QBM2, QMC8, QMD6, QWA4, SG24, SHRY, SMC7, SMC9
			-	1	-	-	-	-	----- 2549163	VG29
	28421-Z1T-702	REEL, RECOIL STARTER(BLACK)··	-	1	-	-	-	-	----- 2546986	QA2, QBM2, QMC8, QMD6, QWA4, SG24, SHRY, SMC7, SMC9
			-	1	-	-	-	-	----- 2549164	VG29
	28421-ZH8-801	··········	-	-	-	1	-	-	----- 2679766	RHG4



E-11

RECOIL STARTER



Ref. No.	Part No.	Description	Reqd. QTY						Serial No.	Parts catalogue code
			GX 160 UT1	GX 160 UT2	GX 160 UT2X	GX 160 RT1	GX 160 RT2	GX 160 RT2X		
(3)	28421-Z0T-003	REEL, RECOIL STARTER.....	-	-	-	1	-	2679767	----- RHG4	
4	28422-ZH8-801	RATCHET, STARTER.....	2	-	-	2	-	-----	HH26, HHQ4, HX2, HX4, HXE8, HXU, LHQ4, LX2, LX26, LX4, LXU, PXU QA2, QA26, QAX2, QAX4, QBC2, QBM2, QBT6, QCB2, QCL, QGR9, QH26 QHG4, QHQ4, QHQU, QKA4, QMC6, QMC8, QMD6, QME4, QMP4, QM22, QNT QNT4, QPU, QW24, QWA4, QWW2, QWX2, QX2, QX26, QX4, QX7, QX9 QXC4, QXC9, QXE2, QXE4, QXE5, QXE8, QXF2, QXP2, QXS2, QXU, QXW QXWE, RH2, RHG4, RHQ4, RTB2, RX4, RXE2, RXP2, RXU, SD16, SG22 SG24, SHQ4, SHQU, SMC7, SMC9, SSS2, SWX2, SX2, SX4, SX7, SX9 SXE4, SXE5, SXS, SXS2, SXS4, SXU, TCS2, TW24, TX2, TX26, TX4 TXC9, TXDU, TXU, UXU, VA2, VG24, VG29, VGE2, VGE4, VHA9, VHH4 VMS4, VPM4, VPM5, VPM8, VPM9, VPMN, VPR4, VPR9, VS17, VS19, VSD VSD1, VSD2, VSD7, VSD9, VWA2, VWW2, VWWN, VX2, VX4, VXE9, VXU1 VXW2, WKS, WKT2, WKT4, WKT6, WMB0	
			-	2	-	-	2	-----	2530950 EMAN, HH26, HX2, HX4, HXE8, LHN4, LX2, LX4, LXM2, PXU, QAX2 QAX4, QGR9, QH26, QHG4, QHQ4, QMC6, QME4, QMP4, QMX2, QMXC, QPU QWX2, QX2, QX4, QX9, QXC9, QXE2, QXE5, QXM2, QXS2, QXU, QXWE RH2, RHG4, RHQ4, RX4, RXE2, RXU, S1CY, SD16, SHQ4, SMW2, SMX4 SMXC, SMXE, SSS2, SWX2, SX4, SX9, SXE5, SXS4, SXU, TX2, TX4 TXDU, UXU, VA2, VES6, VHH4, VPM5, VS19, VSD9, VWWN, VX2, VXE9 VXU1, WKS, WKT2, WMB0, WMT4	
			-	2	-	-	-	-----	HHQ4, LHQ4, LX2, QBC2, QXE8, SMM2, SSS2, SWX2, SX4, SX9, SXE5 SXS4, SXU, TX2, TX4, TXC9, TXDU, UXU, VA2, VSD9, VX2, VXE9, VXU1 WKS, WKT2, WMB0	
			-	2	-	-	-	-----	2546985 QA2, QBM2, QMC8, QMD6, QWA4, SG24, SHRY, SMC7, SMC9	
			-	2	-	-	-	-----	2549163 VG29	
			-	-	-	-	2	-----	VG29, VGE4	

E-11

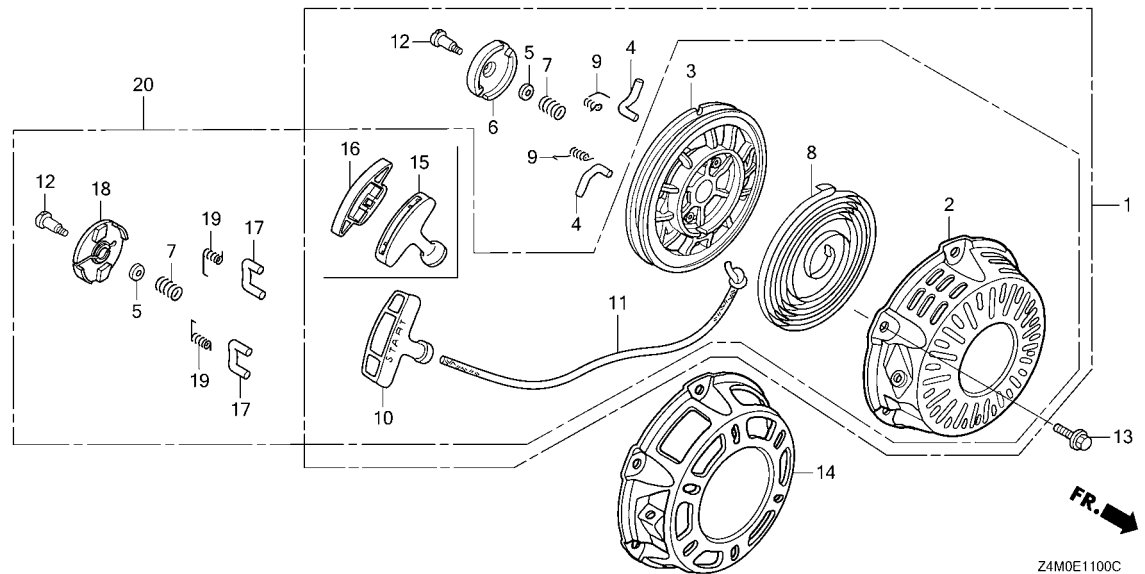
RECOIL STARTER

Ref. No.	Part No.	Description	Reqd. QTY						Serial No.	Parts catalogue code
			GX 160 UT1	GX 160 UT2	GX 160 UT2X	GX 160 RT1	GX 160 RT2	GX 160 RT2X		
5	28431-ZH8-801	PLATE, FRICTION	1	1	1	1	1	1	-----	EMAN, EMAN/A, HH26, HH26/A, HHQ4, HX2, HX2/A, HX4, HX4/A, HXE8, HXE8/A, HXU, LHN4, LHN4/A, LHQ4, LX2, LX2/A, LX26, LX4, LX4/A, LXM2, LXM2/A, LXU, PXU, PXU/A, QA2, QA2/A, QA26, QAX2, QAX4, QAX4/A, QBC2, QBM2, QBM2/A, QBT6, QC9, QC9/A, QCB2, QCL, QCM, QCM/A, QGR9, QGR9/A, QH26, QH26/A, QHG4, QHG4/A, QHQ4, QHQ4/A, QHQU, QKA4, QMC6, QMC6/A, QMC8, QMC8/A, QMD6, QMD6/A, QME4, QME4/A, QMP4, QMX2, QMX2/A, QMXC, QM22, QNT, QNT4, QPU, QW24, QWA4, QWA4/A, QWW2, QWX2, QWX2/A, QX2, QX2/A, QX26, QX4, QX4/A, QX7, QX9, QX9/A, QXC4, QXC9, QXE2, QXE2/A, QXE4, QXE5, QXE5/A, QXE8, QXE8, QXF2, QXGB, QXM2, QXP2, QXS2, QXS2/A, QXU, QXU/A, QXW, QXWE, QXWE/A, RH2, RH2/A, RHG4, RHG4/A, RHQ4, RHQ4/A, RTB2, RX4, RX4/A, RXE2, RXE2/A, RXP2, RXU, RXU/A, S1CY, S1CY/A, SCM, SCM/A, SD16, SD16/A, SG22, SG24, SG24/A, SHCC, SHCC/A, SHQ4, SHQ4/A, SHQU, SHRY, SHRY/A, SMC7, SMC7/A, SMC9, SMC9/A, SMM2, SMM2/A, SMX4, SMX4/A, SMXC, SMXE, SMXE/A, SSS2, SSS2/A, SWX2, SWX2/A, SX2, SX4, SX4/A, SX7, SX9, SX9/A, SXE4, SXE5, SXE5/A, SXS, SXS2, SXS4, SXS4/A, SXU, SXU/A, TCS2, TW24, TX2, TX2/A, TX26, TX4, TX4/A, TXC9, TXDU, TXDU/A, TXU, UXU, UXU/A, VA2, VA2/A, VCG, VCG/A, VES6, VES6/A, VG24, VG25, VG25/A, VG29, VGE2, VGE4, VHA9, VHH4, VHH4/A, VMS4, VPM4, VPM5, VPM8, VPM9, VPMN, VPR4, VPR9, VS17, VS19, VSD, VSD1, VSD2, VSD7, VSD9, VSD9/A, VWA2, VWS1, VWS1/A, VWW2, VWWN, VWWN/A, VX2, VX2/A, VX4, VXE9, VXE9/A, VXU1, VXU1/A, VXX2, WKS, WKS/A, WKT2, WKT2/A, WKT4, WKT6, WMB0, WMB0/A, WMT4, WMT4/A
6	28433-ZH8-801	GUIDE, RATCHET	1	-	-	1	1	-	-----	EMAN, HH26, HHQ4, HX2, HX4, HXE8, HXU, LHQ4, LX2, LX26, LX4, LXU, PXU, QA2, QA26, QAX2, QAX4, QBC2, QBM2, QBT6, QCB2, QCL, QGR9, QH26, QHG4, QHQ4, QHQU, QKA4, QMC6, QMC8, QMD6, QME4, QMP4, QM22, QNT, QNT4, QPU, QW24, QWA4, QWW2, QWX2, QX2, QX26, QX4, QX7, QX9, QXC4, QXC9, QXE2, QXE4, QXE5, QXE8, QXF2, QXP2, QXS2, QXU, QXW, QXWE, RH2, RHG4, RHQ4, RTB2, RX4, RXE2, RXP2, RXU, SD16, SG22, SG24, SHQ4, SHQU, SMC7, SMC9, SSS2, SWX2, SX2, SX4, SX7, SX9, SXE4, SXE5, SXS, SXS2, SXS4, SXU, TCS2, TW24, TX2, TX26, TX4, TXC9, TXDU, TXU, UXU, VA2, VES6, VG24, VG29, VGE2, VGE4, VHA9, VHH4, VMS4, VPM4, VPM5, VPM8, VPM9, VPMN, VPR4, VPR9, VS17, VS19, VSD, VSD1, VSD2, VSD7, VSD9, VWA2, VWW2, VWWN, VX2, VX4, VXE9, VXU1, VXX2, WKS, WKT2, WKT4, WKT6, WMB0, WMB0
			-	1	-	-	1	-	-----	2530950 EMAN, HH26, HX2, HX4, HXE8, LHN4, LX2, LX4, LXM2, PXU, QAX2, QAX4, QGR9, QH26, QHG4, QHQ4, QMC6, QME4, QMP4, QMX2, QMXC, QPU, QWX2, QX2, QX4, QX9, QXC9, QXE2, QXE5, QXM2, QXS2, QXU, QXWE, RH2, RHG4, RHQ4, RX4, RXE2, RXU, S1CY, SD16, SHQ4, SMM2, SMX4, SMXC, SMXE, SSS2, SWX2, SX4, SX9, SXE5, SXS4, SXU, TX2, TX4, TXDU, UXU, VA2, VES6, VHH4, VPM5, VS19, VSD9, VWWN, VX2, VXE9, VXU1, WKS, WKT2, WMB0, WMT4
			-	1	-	-	-	-	-----	HH26, HHQ4, HX2, HX4, HXE8, LHN4, LHQ4, LX2, LX4, LXM2, PXU, QA2, QAX2, QAX4, QBC2, QBM2, QGR9, QH26, QHQ4, QMC6, QMC8, QMD6, QME4, QMP4, QMX2, QMXC, QPU, QWA4, QWX2, QX2, QX4, QX9, QXC9, QXE2, QXE5, QXE8, QXM2, QXS2, QXU, QXWE, RH2, RHG4, RHQ4, RX4, RXE2, RXU, S1CY, SD16, SG24, SHQ4, SHRY, SMC7, SMC9, SMM2, SMX4, SMXC, SMXE, SSS2, SWX2, SX4, SX9, SXE5, SXS4, SXU, TX2, TX4, TXC9, TXDU, UXU, VA2, VSD9, VX2, VXE9, VXU1, WKS, WKT2, WMB0, WMT4
			-	1	-	-	-	-	-----	2546985 QA2, QBM2, QMC8, QMD6, QWA4, SG24, SHRY, SMC7, SMC9
			-	1	-	-	-	-	-----	2549163 VG29



E-11

RECOIL STARTER



Ref. No.	Part No.	Description	Reqd. QTY						Serial No.	Parts catalogue code
			GX 160 UT1	GX 160 UT2	GX 160 UT2X	GX 160 RT1	GX 160 RT2	GX 160 RT2X		
7	28441-ZH8-801	SPRING, FRICTION.....	1	1	1	1	1	1	-----	EMAN, EMAN/A, HH26, HH26/A, HHQ4, HX2, HX2/A, HX4, HX4/A, HXE8 HXE8/A, HXU, LHN4, LHN4/A, LHQ4, LX2, LX2/A, LX26, LX4, LX4/A LXM2, LXM2/A, LXU, PXU, PXU/A, QA2, QA2/A, QA26, QAX2, QAX4 QAX4/A, QBC2, QBM2, QBM2/A, QBT6, QC9, QC9/A, QCB2, QCL, QCM QCM/A, QGR9, QGR9/A, QH26, QH26/A, QHG4, QHG4/A, QHQ4, QHQ4/A QHQ4, QKA4, QMC6, QMC6/A, QMC8, QMC8/A, QMD6, QMD6/A, QME4 QME4/A, QMP4, QMX2, QMX2/A, QMXC, QM22, QNT, QNT4, QPU, QW24 QWA4, QWA4/A, QWW2, QWX2, QWX2/A, QX2, QX2/A, QX26, QX4, QX4/A QX7, QX9, QX9/A, QXC4, QXC9, QXE2, QXE2/A, QXE4, QXE5, QXE5/A QXE8, QXEB, QXF2, QXGB, QXM2, QXP2, QXS2, QXS2/A, QXU, QXU/A QXW, QXWE, QXWE/A, RH2, RH2/A, RHG4, RHG4/A, RHQ4, RHQ4/A RTB2, RX4, RX4/A, RXE2, RXE2/A, RXP2, RXU, RXU/A, S1CY, S1CY/A SCM, SCM/A, SD16, SD16/A, SG22, SG24, SG24/A, SHCC, SHCC/A SHQ4, SHQ4/A, SHQU, SHRY, SHRY/A, SMC7, SMC7/A, SMC9, SMC9/A SMW2, SMW2/A, SMX4, SMX4/A, SMXC, SMXE, SMXE/A, SSX2, SSX2/A SWX2, SWX2/A, SX2, SX4, SX4/A, SX7, SX9, SX9/A, SXE4, SXE5 SXE5/A, SXS, SXS2, SXS4, SXS4/A, SXU, SXU/A, TCS2, TW24, TX2 TX2/A, TX26, TX4, TX4/A, TXC9, TXDU, TXDU/A, TXU, UXU, UXU/A VA2, VA2/A, VCG, VCG/A, VES6, VES6/A, VG24, VG25, VG25/A, VG29 VGE2, VGE4, VHA9, VHH4, VHH4/A, VMS4, VPM4, VPM5, VPM8, VPM9 VPMN, VPR4, VPR9, VS17, VS19, VSD, VSD1, VSD2, VSD7, VSD9 VSD9/A, VWA2, VWS1, VWS1/A, VWW2, VWWN, VWWN/A, VX2, VX2/A VX4, VXE9, VXE9/A, VXU1, VXU1/A, VXW2, WKS, WKS/A, WKT2 WKT2/A, WKT4, WKT6, WMB0, WMB0/A, WMT4, WMT4/A

E-11

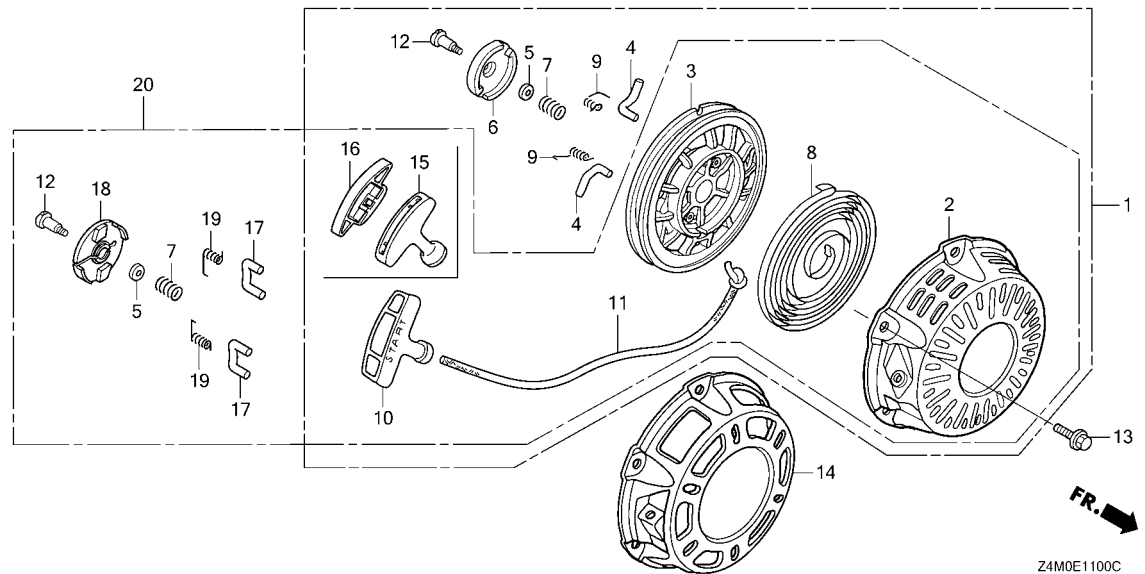
RECOIL STARTER

Ref. No.	Part No.	Description	Reqd. QTY						Serial No.	Parts catalogue code
			GX 160 UT1	GX 160 UT2	GX 160 UT2X	GX 160 RT1	GX 160 RT2	GX 160 RT2X		
8	28442-ZH8-003	SPRING, RECOIL STARTER.....	1	1	1	1	1	1	-----	EMAN, EMAN/A, HH26, HH26/A, HHQ4, HX2, HX2/A, HX4, HX4/A, HXE8, HXE8/A, HXU, LHN4, LHN4/A, LHQ4, LX2, LX2/A, LX26, LX4, LX4/A, LXM2, LXM2/A, LXU, PXU, PXU/A, QA2, QA2/A, QA26, QAX2, QAX4, QAX4/A, QBC2, QBM2, QBM2/A, QBT6, QC9, QC9/A, QCB2, QCL, QCM, QCM/A, QGR9, QGR9/A, QH26, QH26/A, QHG4, QHG4/A, QHQ4, QHQ4/A, QHQ4, QKA4, QMC6, QMC6/A, QMC8, QMC8/A, QMD6, QMD6/A, QME4, QME4/A, QMP4, QMX2, QMX2/A, QMXX, QMXX2, QNT, QNT4, QPU, QW24, QWA4, QWA4/A, QWW2, QWX2, QWX2/A, QX2, QX2/A, QX26, QX4, QX4/A, QX7, QX9, QX9/A, QXC4, QXC9, QXE2, QXE2/A, QXE4, QXE5, QXE5/A, QXE8, QXE8, QXF2, QXGB, QXM2, QXP2, QXS2, QXS2/A, QXU, QXU/A, QXW, QXWE, QXWE/A, RH2, RH2/A, RHG4, RHG4/A, RHQ4, RHQ4/A, RTB2, RX4, RX4/A, RXE2, RXE2/A, RXP2, RXU, RXU/A, S1CY, S1CY/A, SCM, SCM/A, SD16, SD16/A, SG22, SG24, SG24/A, SHCC, SHCC/A, SHQ4, SHQ4/A, SHQU, SHRY, SHRY/A, SMC7, SMC7/A, SMC9, SMC9/A, SMM2, SMM2/A, SMX4, SMX4/A, SMXC, SMXE, SMXE/A, SSS2, SSS2/A, SWX2, SWX2/A, SX2, SX4, SX4/A, SX7, SX9, SX9/A, SXE4, SXE5, SXE5/A, SXS, SXS2, SXS4, SXS4/A, SXU, SXU/A, TCS2, TW24, TX2, TX2/A, TX26, TX4, TX4/A, TXC9, TXDU, TXDU/A, TXU, UXU, UXU/A, VA2, VA2/A, VCG, VCG/A, VES6, VES6/A, VG24, VG25, VG25/A, VG29, VGE2, VGE4, VHA9, VHH4, VHH4/A, VMS4, VPM4, VPM5, VPM8, VPM9, VPMN, VPR4, VPR9, VS17, VS19, VSD, VSD1, VSD2, VSD7, VSD9, VSD9/A, VWA2, VWS1, VWS1/A, VWW2, VWWN, VWWN/A, VX2, VX2/A, VX4, VXE9, VXE9/A, VXU1, VXU1/A, VXX2, WKS, WKS/A, WKT2, WKT2/A, WKT4, WKT4, WMB0, WMB0/A, WMT4, WMT4/A
9	28443-ZH8-801	SPRING, RETURN.....	2	-	-	2	-	-	-----	HH26, HHQ4, HX2, HX4, HXE8, HXU, LHQ4, LX2, LX26, LX4, LXU, PXU, QA2, QA26, QAX2, QAX4, QBC2, QBM2, QBT6, QCB2, QCL, QGR9, QH26, QHG4, QHQ4, QHQ4, QKA4, QMC6, QMC8, QMD6, QME4, QMP4, QMXX2, QNT, QNT4, QPU, QW24, QWA4, QWW2, QWX2, QX2, QX26, QX4, QX7, QX9, QXC4, QXC9, QXE2, QXE4, QXE5, QXE8, QXF2, QXP2, QXS2, QXU, QXW, QXWE, RH2, RHG4, RHQ4, RTB2, RX4, RXE2, RXP2, RXU, SD16, SG22, SG24, SHQ4, SHQU, SMC7, SMC9, SSS2, SWX2, SX2, SX4, SX7, SX9, SXE4, SXE5, SXS, SXS2, SXS4, SXU, TCS2, TW24, TX2, TX26, TX4, TXC9, TXDU, TXU, UXU, VA2, VG24, VG29, VGE2, VGE4, VHA9, VHH4, VMS4, VPM4, VPM5, VPM8, VPM9, VPMN, VPR4, VPR9, VS17, VS19, VSD, VSD1, VSD2, VSD7, VSD9, VWA2, VWW2, VWWN, VX2, VX4, VXE9, VXU1, VXX2, WKS, WKT2, WKT4, WKT6, WMB0
			-	2	-	-	2	-	-----	2530950 EMAN, HH26, HX2, HX4, HXE8, LHN4, LX2, LX4, LXM2, PXU, QAX2, QAX4, QGR9, QH26, QHG4, QHQ4, QMC6, QME4, QMP4, QMXX, QPU, QWX2, QX2, QX4, QX9, QXC9, QXE2, QXE5, QXM2, QXS2, QXU, QXWE, RH2, RHG4, RHQ4, RX4, RXE2, RXU, S1CY, SD16, SHQ4, SMM2, SMX4, SMXC, SMXE, SSS2, SWX2, SX4, SX9, SXE5, SXS4, SXU, TX2, TX4, TXDU, UXU, VA2, VES6, VHH4, VPM5, VS19, VSD9, VWWN, VX2, VXE9, VXU1, WKS, WKT2, WMB0, WMT4
			-	2	-	-	-	-	-----	HHQ4, LHQ4, LX2, QBC2, QWX2, QXE8, SMM2, SSS2, SWX2, SX4, SX9, SXE5, SXS4, SXU, TX2, TX4, TXC9, TXDU, UXU, VA2, VSD9, VX2, VXE9, VXU1, WKS, WKT2, WMB0
			-	2	-	-	-	-	-----	2546985 QA2, QBM2, QMC8, QMD6, QWA4, SG24, SHRY, SMC7, SMC9
			-	2	-	-	-	-	-----	2549163 VG29
			-	-	-	-	2	-	-----	VGE4



E-11

RECOIL STARTER



Ref. No.	Part No.	Description	Reqd. QTY						Serial No.	Parts catalogue code
			GX 160 UT1	GX 160 UT2	GX 160 UT2X	GX 160 RT1	GX 160 RT2	GX 160 RT2X		
10	28461-ZH8-003	KNOB, RECOIL STARTER.....	1	-	-	1	-	-	2448020	HH26, HHQ4, HX2, HX4, HXE8, HXU, LHQ4, LX2, LX26, LX4, LXU, PXU QA2, QA26, QAX2, QBC2, QBM2, QBT6, QCB2, QCL, QGR9, QH26, QHG4 QHQ4, QKA4, QMC6, QMC8, QMD6, QME4, QMP4, QM22, QNT, QNT4, QPU QW24, QWA4, QWW2, QWX2, QX2, QX26, QX4, QX7, QX9, QXC9, QXE2 QXE4, QXE5, QXE8, QXF2, QXS2, QXU, QXW, QXWE, RH2, RHG4, RHQ4 RTB2, RX4, RXE2, RXU, SD16, SG24, SHQ4, SMC7, SMC9, SSX2, SWX2 SX4, SX7, SX9, SXE4, SXE5, SXS4, SXU, TCS2, TW24, TX2, TX26, TX4 TXC9, TXDU, TXU, UXU, VA2, VG24, VG29, VGE4, VHA9, VHH4, VMS4 VPM4, VPM5, VPM8, VPM9, VPMN, VPR4, VPR9, VS17, VS19, VSD, VSD1 VSD7, VSD9, VWA2, VWW2, VWWN, VX2, VX4, VXE9, VXU1, VXW2, WKS WKT2, WKT4, WKT6, WMB0
	28461-ZH8-013	1	-	-	1	-	-	2448021	HH26, HHQ4, HX2, HX4, HXE8, HXU, LHQ4, LX2, LX26, LX4, LXU, PXU QA2, QA26, QAX2, QBC2, QBM2, QBT6, QCB2, QCL, QGR9, QH26, QHG4 QHQ4, QKA4, QMC6, QMC8, QMD6, QME4, QMP4, QM22, QNT, QNT4, QPU QW24, QWA4, QWW2, QWX2, QX2, QX26, QX4, QX7, QX9, QXC9, QXE2 QXE4, QXE5, QXE8, QXF2, QXS2, QXU, QXW, QXWE, RH2, RHG4, RHQ4 RTB2, RX4, RXE2, RXU, SD16, SG24, SHQ4, SMC7, SMC9, SSX2, SWX2 SX4, SX7, SX9, SXE4, SXE5, SXS4, SXU, TCS2, TW24, TX2, TX26, TX4 TXC9, TXDU, TXU, UXU, VA2, VG24, VG29, VGE4, VHA9, VHH4, VMS4 VPM4, VPM5, VPM8, VPM9, VPMN, VPR4, VPR9, VS17, VS19, VSD, VSD1 VSD7, VSD9, VWA2, VWW2, VWWN, VX2, VX4, VXE9, VXU1, VXW2, WKS WKT2, WKT4, WKT6, WMB0
			1	-	-	-	-	-	-----	QAX4, QHQU, QXC4, QXP2, RXP2, SG22, SHQU, SX2, SXS, SXS2, VGE2 VSD2
			-	1	1	-	-	-	-----	VCG, VCG/A, VG25, VG25/A, VG29

E-11

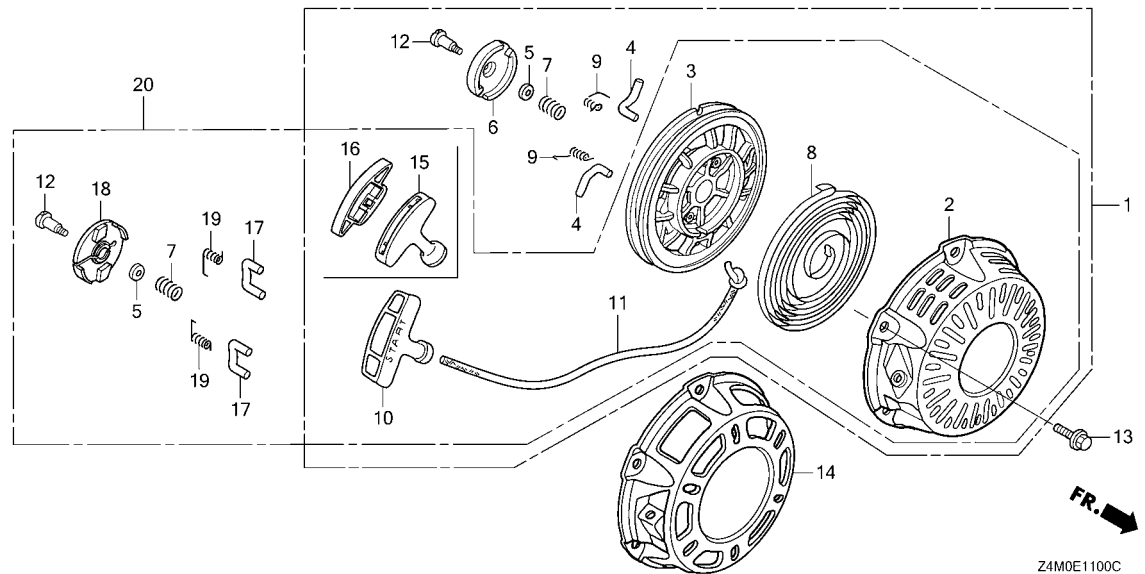
RECOIL STARTER

Ref. No.	Part No.	Description	Reqd. QTY						Serial No.	Parts catalogue code
			GX 160 UT1	GX 160 UT2	GX 160 UT2X	GX 160 RT1	GX 160 RT2	GX 160 RT2X		
11	28462-ZH8-003	ROPE, RECOIL STARTER.....	1	1	1	1	1	1	-----	EMAN, EMAN/A, HH26, HH26/A, HHQ4, HX2, HX2/A, HX4, HX4/A, HXE8 HXE8/A, HXU, LHN4, LHN4/A, LHQ4, LX2, LX2/A, LX26, LX4, LX4/A LXM2, LXM2/A, LXU, PXU, PXU/A, QA2, QA2/A, QA26, QAX2, QAX4 QAX4/A, QBC2, QBM2, QBM2/A, QBT6, QC9, QC9/A, QCB2, QCL, QCM QCM/A, QGR9, QGR9/A, QH26, QH26/A, QHG4, QHG4/A, QHQ4, QHQ4/A QHQU, QKA4, QMC6, QMC6/A, QMC8, QMC8/A, QMD6, QMD6/A, QME4 QME4/A, QMP4, QMX2, QMX2/A, QMXC, QMZ2, QNT, QNT4, QPU, QW24 QWA4, QWA4/A, QWW2, QWX2, QWX2/A, QX2, QX2/A, QX26, QX4, QX4/A QX7, QX9, QX9/A, QXC4, QXC9, QXE2, QXE2/A, QXE4, QXE5, QXE5/A QXE8, QXEB, QXF2, QXGB, QXM2, QXP2, QXS2, QXS2/A, QXU, QXU/A QXW, QXWE, QXWE/A, RH2, RH2/A, RHG4, RHG4/A, RHQ4, RHQ4/A RTB2, RX4, RX4/A, RXE2, RXE2/A, RXP2, RXU, RXU/A, S1CY, S1CY/A SCM, SCM/A, SD16, SD16/A, SG22, SG24, SG24/A, SHCC, SHCC/A SHQ4, SHQ4/A, SHQU, SHRY, SHRY/A, SMC7, SMC7/A, SMC9, SMC9/A SMM2, SMM2/A, SMX4, SMX4/A, SMXC, SMXE, SMXE/A, SSS2, SSS2/A SWX2, SWX2/A, SX2, SX4, SX4/A, SX7, SX9, SX9/A, SXE4, SXE5 SXE5/A, SXS, SXS2, SXS4, SXS4/A, SXU, SXU/A, TCS2, TW24, TX2 TX2/A, TX26, TX4, TX4/A, TXC9, TXDU, TXDU/A, TXU, UXU, UXU/A VA2, VA2/A, VES6, VES6/A, VGE2, VGE2, VGE4, VHA9, VHH4, VHH4/A VMS4, VPM4, VPM5, VPM8, VPM9, VPMN, VPR4, VPR9, VS17, VS19, VSD VSD1, VSD2, VSD7, VSD9, VSD9/A, VWA2, VWS1, VWS1/A, VWN2, VWN VWN/A, VX2, VX2/A, VX4, VXE9, VXE9/A, VXU1, VXU1/A, VXW2, WKS WKS/A, WKT2, WKT2/A, WKT4, WKT6, WMB0, WMB0/A, WMT4, WMT4/A VCG, VCG/A, VG25, VG25/A, VG29
	28462-ZH8-821	ROPE, RECOIL STARTER(LONG)...	1	1	1	-	-	-	-----	
12	90003-ZH8-801	SCREW, SETTING.....	1	1	1	1	1	1	-----	EMAN, EMAN/A, HH26, HH26/A, HHQ4, HX2, HX2/A, HX4, HX4/A, HXE8 HXE8/A, HXU, LHN4, LHN4/A, LHQ4, LX2, LX2/A, LX26, LX4, LX4/A LXM2, LXM2/A, LXU, PXU, PXU/A, QA2, QA2/A, QA26, QAX2, QAX4 QAX4/A, QBC2, QBM2, QBM2/A, QBT6, QC9, QC9/A, QCB2, QCL, QCM QCM/A, QGR9, QGR9/A, QH26, QH26/A, QHG4, QHG4/A, QHQ4, QHQ4/A QHQU, QKA4, QMC6, QMC6/A, QMC8, QMC8/A, QMD6, QMD6/A, QME4 QME4/A, QMP4, QMX2, QMX2/A, QMXC, QMZ2, QNT, QNT4, QPU, QW24 QWA4, QWA4/A, QWW2, QWX2, QWX2/A, QX2, QX2/A, QX26, QX4, QX4/A QX7, QX9, QX9/A, QXC4, QXC9, QXE2, QXE2/A, QXE4, QXE5, QXE5/A QXE8, QXEB, QXF2, QXGB, QXM2, QXP2, QXS2, QXS2/A, QXU, QXU/A QXW, QXWE, QXWE/A, RH2, RH2/A, RHG4, RHG4/A, RHQ4, RHQ4/A RTB2, RX4, RX4/A, RXE2, RXE2/A, RXP2, RXU, RXU/A, S1CY, S1CY/A SCM, SCM/A, SD16, SD16/A, SG22, SG24, SG24/A, SHCC, SHCC/A SHQ4, SHQ4/A, SHQU, SHRY, SHRY/A, SMC7, SMC7/A, SMC9, SMC9/A SMM2, SMM2/A, SMX4, SMX4/A, SMXC, SMXE, SMXE/A, SSS2, SSS2/A SWX2, SWX2/A, SX2, SX4, SX4/A, SX7, SX9, SX9/A, SXE4, SXE5 SXE5/A, SXS, SXS2, SXS4, SXS4/A, SXU, SXU/A, TCS2, TW24, TX2 TX2/A, TX26, TX4, TX4/A, TXC9, TXDU, TXDU/A, TXU, UXU, UXU/A VA2, VA2/A, VCG, VCG/A, VES6, VES6/A, VGE2, VGE2, VGE4, VHA9, VHH4, VHH4/A VMS4, VPM4, VPM5, VPM8, VPM9, VPMN, VPR4, VPR9, VS17, VS19, VSD VSD1, VSD2, VSD7, VSD9, VSD9/A, VWA2, VWS1, VWS1/A, VWN2, VWN VWN/A, VX2, VX2/A, VX4, VXE9, VXE9/A, VXU1, VXU1/A, VXW2, WKS WKS/A, WKT2 WKT2/A, WKT4, WKT6, WMB0, WMB0/A, WMT4, WMT4/A



E-11

RECOIL STARTER



Ref. No.	Part No.	Description	Reqd. QTY						Serial No.	Parts catalogue code
			GX 160 UT1	GX 160 UT2	GX 160 UT2X	GX 160 RT1	GX 160 RT2	GX 160 RT2X		
13	90008-ZE2-003	BOLT, FLANGE, 6X10	3	-	-	3	-	-	HH26, HHQ4, HX2, HX4, HXE8, HXU, LHQ4, LX2, LX26, LX4, LXU, PXU QA2, QA26, QAX2, QAX4, QBC2, QBM2, QBT6, QCB2, QCL, QGR9, QH26 QHG4, QHQ4, QHQ4, QKA4, QMC6, QMC8, QMD6, QME4, QMP4, QMZ2, QNT QNT4, QPU, QW24, QWA4, QWW2, QWX2, QX2, QX26, QX4, QX7, QX9 QXC4, QXC9, QXE2, QXE4, QXE5, QXE8, QXF2, QXP2, QXS2, QXU, QXW QXWE, RH2, RHG4, RHQ4, RTB2, RX4, RXE2, RXP2, RXU, SD16, SG22 SG24, SHQ4, SHQU, SMC7, SMC9, SSS2, SWG4, SWX2, SX2, SX4, SX7 SX9, SXE4, SXE5, SXS, SXS2, SXS4, SXU, TCS2, TW24, TX2, TX26 TX4, TXC9, TXDU, TXU, UXU, VA2, VG24, VG29, VGE2, VGE4, VHA9 VHH4, VMS4, VPM4, VPM5, VPM8, VPM9, VPMN, VPR4, VPR9, VS17 VS19, VSD, VSD1, VSD2, VSD7, VSD9, VWA2, VWW2, VWWN, VX2, VX4 VXE9, VXU1, VXW2, WKS, WKT2, WKT4, WKT6, WMB0	
	95701-06008-00	BOLT, FLANGE, 6X8	-	3	-	3	-	-	EMAN/A, HH26/A, HX2/A, HX4/A, HXE8/A, LHN4/A, LX2/A, LX4/A LXM2/A, PXU/A, QA2/A, QAX4/A, QBM2/A, QC9, QC9/A, QCM, QCM/A QGR9/A, QH26/A, QHG4/A, QHQ4/A, QMC6/A, QMC8/A, QMD6/A QME4/A, QMX2/A, QMXC, QWA4/A, QWX2/A, QX2/A, QX4/A, QX9/A QXE2/A, QXE5/A, QXEB, QXGB, QXS2/A, QXU/A, QXWE/A, RH2/A RHG4/A, RHQ4/A, RX4/A, RXE2/A, RXU/A, S1CY/A, SCM, SCM/A SD16/A, SG24/A, SHCC, SHCC/A, SHQ4/A, SHRY/A, SMC7/A, SMC9/A SMW2/A, SMX4/A, SMXC, SMXE/A, SSS2/A, SWG4/A, SWX2/A, SX4/A SX9/A, SXE5/A, SXS4/A, SXU/A, TX2/A, TX4/A, TXDU/A, UXU/A VA2/A, VCG, VCG/A, VES6/A, VG25, VG25/A, VHH4/A, VSD9/A, VWS1 VWS1/A, VWWN/A, VX2/A, VXE9/A, VXU1/A, WKS/A, WKT2/A, WMB0/A WMT4/A	



E-11

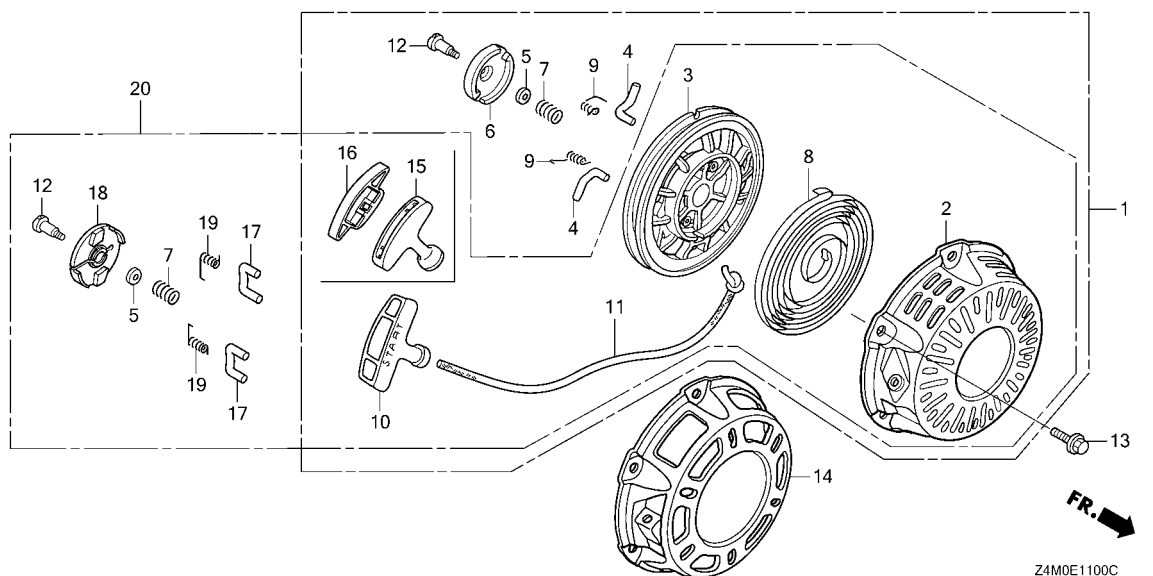
RECOIL STARTER

Ref. No.	Part No.	Description	Reqd. QTY						Serial No.	Parts catalogue code
			GX 160 UT1	GX 160 UT2	GX 160 RT1	GX 160 RT2	GX 160 RT2X	GX 160 RT2X		
13)	90008-ZE2-003	BOLT, FLANGE, 6X10	-	3	-	-	-	-	1853311	LHQ4, LX2, LX4, LXM2, PXU, QA2, QBC2, QBM2, QGR9, QH26, QHQ4, QMC6, QMC8, QMD6, QME4, QMP4, QPU, QWA4, QWX2, QX2, QX4, QX9, QXE2, QXM2, QXS2, QXU, SD16, SG24, SHQ4, SMC7, SMC9, SMX4, SMXE, SWX2, SX4, SX9, SXS4, SXU, TX2, TX4, TXDU, VA2, VSD9, VX2, VXE9, VXU1, WKS, WKT2
			-	3	-	-	-	-	1853879	HH26, HHQ4, HX2, HX4, HXE8, LHN4, QAX2, QAX4, QMX2, QXC9, QXE5, QXE8, QXWE, RH2, RHQ4, RX4, RXE2, RXU, S1CY, SHRY, SMW2, SSX2, SXE5, TXC9, UXU, VG29, WMB0, WMT4
	95701-06008-00	BOLT, FLANGE, 6X8	-	3	-	-	-	-	1853312	LHQ4, LX2, LX4, LXM2, PXU, QA2, QBC2, QBM2, QGR9, QH26, QHQ4, QMC6, QMC8, QMD6, QME4, QMP4, QPU, QWA4, QWX2, QX2, QX4, QX9, QXE2, QXM2, QXS2, QXU, SD16, SG24, SHQ4, SMC7, SMC9, SMX4, SMXE, SWX2, SX4, SX9, SXS4, SXU, TX2, TX4, TXDU, VA2, VSD9, VX2, VXE9, VXU1, WKS, WKT2
			-	3	-	-	-	-	1853880	HH26, HHQ4, HX2, HX4, HXE8, LHN4, QAX2, QAX4, QMX2, QXC9, QXE5, QXE8, QXWE, RH2, RHQ4, RX4, RXE2, RXU, S1CY, SHRY, SMW2, SSX2, SXE5, TXC9, UXU, VG29, WMB0, WMT4
	90008-ZE2-003	BOLT, FLANGE, 6X10	-	-	3	-	-	3	1859219	EMAN, QHG4, RHG4, SWG4, VES6, VGE4, VHH4, VPM5, VS19, VWWN
	95701-06008-00	BOLT, FLANGE, 6X8	-	-	-	-	3	-	1859220	EMAN, QHG4, RHG4, SWG4, VES6, VGE4, VHH4, VPM5, VS19, VWWN
14	28414-ZK8-V71	CASE B, STARTER	-	-	-	1	1	-	-	SWG4, SWG4/A
15	28461-Z4M-003	KNOB, RECOIL STARTER	-	1	-	-	1	1	-	EMAN, EMAN/A, HH26, HH26/A, HHQ4, HX2, HX2/A, HX4, HX4/A, HXE8, HXE8/A, LHN4, LHN4/A, LHQ4, LX2, LX2/A, LX4, LX4/A, LXM2, LXM2/A, PXU, PXU/A, QA2, QA2/A, QAX2, QAX4, QAX4/A, QBC2, QBM2, QBM2/A, QC9, QC9/A, QCM/A, QGR9, QGR9/A, QH26, QH26/A, QHG4, QHG4/A, QHQ4, QHQ4/A, QMC6, QMC6/A, QMC8, QMC8/A, QMD6, QMD6/A, QME4, QME4/A, QMP4, QMX2, QMX2/A, QMXC, QPU, QWA4, QWA4/A, QWX2, QWX2/A, QX2, QX2/A, QX4, QX4/A, QX9, QX9/A, QXE2, QXE2/A, QXE5, QXE5/A, QXE8, QXE8, QXGB, QXM2, QXS2, QXS2/A, QXU, QXU/A, QXWE, QXWE/A, RH2, RH2/A, RHG4, RHG4/A, RHQ4, RHQ4/A, RX4, RX4/A, RXE2, RXE2/A, RXU, RXU/A, S1CY, S1CY/A, SCM, SCM/A, SD16, SD16/A, SG24/A, SHCC, SHCC/A, SHQ4, SHQ4/A, SHRY, SHRY/A, SMC7, SMC7/A, SMC9, SMC9/A, SMW2, SMW2/A, SMX4/A, SMXC, SMXE/A, SSX2, SSX2/A, SWX2, SWX2/A, SX4, SX4/A, SX9, SX9/A, SXE5, SXE5/A, SXS4, SXS4/A, SXU, SXU/A, TX2, TX2/A, TX4, TX4/A, TXDU, TXDU/A, UXU, UXU/A, VA2, VA2/A, VES6, VES6/A, VGE4, VHH4, VHH4/A, VPM5, VS19, VSD9, VSD9/A, VWS1, VWS1/A, VWWN, VWWN/A, VX2, VX2/A, VXE9, VXE9/A, VXU1, VXU1/A, WKS, WKS/A, WKT2, WKT2/A, WMB0, WMB0/A, WMT4/A
	28461-Z4M-305	KNOB, RECOIL STARTER(COO) (FOR U.S.A.)	-	1	-	-	1	-	-	EMAN, HH26, HHQ4, HX2, HX4, HXE8, LHN4, LHQ4, LX2, LX4, LXM2, PXU, QA2, QAX2, QAX4, QBC2, QBM2, QC9, QCM, QGR9, QH26, QHG4, QHQ4, QMC6, QMC8, QMD6, QME4, QMP4, QMX2, QMXC, QPU, QWA4, QWX2, QX2, QX4, QX9, QXC9, QXE2, QXE5, QXE8, QXM2, QXS2, QXU, QXWE, RH2, RHG4, RHQ4, RX4, RXE2, RXU, S1CY, SCM, SD16, SG24, SHQ4, SHRY, SMC7, SMC9, SMW2, SMX4, SMXC, SMXE, SSX2, SWX2, SX4, SX9, SXE5, SXS4, SXU, TX2, TX4, TXC9, TXDU, UXU, VA2, VES6, VGE4, VHH4, VPM5, VS19, VSD9, VWWN, VX2, VXE9, VXU1, WKS, WKT2, WMB0, WMT4
	28461-Z4M-003	KNOB, RECOIL STARTER	-	-	1	-	-	-	-	HH26, HX2, HX4, HXE8, LX2, LX4, LXM2, PXU, QA2, QAX4, QBM2, QC9, QCM, QGR9, QH26, QHQ4, QMC6, QMC8, QMD6, QME4, QMX2, QWA4, QX2, QX4, QX9, QXE2, QXE5, QXE8, QXGB, QXU, QXWE, RH2, RHQ4, RX4, RXE2, S1CY, SCM, SD16, SG24, SHCC, SHQ4, SHRY, SMC7, SMW2, SMX4, SMXE, SSX2, SWX2, SX4, SX9, SXE5, SXS4, SXU, TX2, TX4, TXC9, TXDU, UXU, VA2, VES6, VGE4, VHH4, VPM5, VS19, VSD9, VWWN, VX2, VXE9, VXU1, WKS, WKT2, WMB0, WMT4



E-11

RECOIL STARTER



Ref. No.	Part No.	Description	Reqd. QTY						Serial No.	Parts catalogue code
			GX 160 UT1	GX 160 UT2	GX 160 UT2X	GX 160 RT1	GX 160 RT2	GX 160 RT2X		
16	28463-Z4M-003	KNOB, REINFORCEMENT	-	1	1	-	1	1	-----	EMAN, EMAN/A, HH26, HH26/A, HHQ4, HX2, HX2/A, HX4, HX4/A, HXE8 HXE8/A, LHN4, LHN4/A, LHQ4, LX2, LX2/A, LX4, LX4/A, LXM2 LXM2/A, PXU, PXU/A, QA2, QA2/A, QAX2, QAX4, QAX4/A, QBC2, QBM2 QBM2/A, QC9, QC9/A, QCM, QCM/A, QGR9, QGR9/A, QH26, QH26/A QHG4, QHG4/A, QHQ4, QHQ4/A, QMC6, QMC6/A, QMC8, QMC8/A, QMD6 QMD6/A, QME4, QME4/A, QMP4, QMX2, QMX2/A, QMXC, QPU, QWA4 QWA4/A, QWX2, QWX2/A, QX2, QX2/A, QX4, QX4/A, QX9, QX9/A, QXC9 QXE2, QXE2/A, QXE5, QXE5/A, QXE8, QXEB, QXGB, QXM2, QXS2 QXS2/A, QXU, QXU/A, QXWE, QXWE/A, RH2, RH2/A, RHG4, RHG4/A RHQ4, RHQ4/A, RX4, RX4/A, RXE2, RXE2/A, RXU, RXU/A, S1CY S1CY/A, SCM, SCM/A, SD16, SD16/A, SG24, SG24/A, SHCC, SHCC/A SHQ4, SHQ4/A, SHRY, SHRY/A, SMC7, SMC7/A, SMC9, SMC9/A, SMW2 SMW2/A, SMX4, SMX4/A, SMXC, SMXE, SMXE/A, SSX2, SSX2/A, SWX2 SWX2/A, SX4, SX4/A, SX9, SX9/A, SXE5, SXE5/A, SXS4, SXS4/A SXU, SXU/A, TX2, TX2/A, TX4, TX4/A, TXC9, TXDU, TXDU/A, UXU UXU/A, VA2, VA2/A, VES6, VES6/A, VGE4, VHH4, VHH4/A, VPM5 VS19, VSD9, VSD9/A, VWS1, VWS1/A, VWWN, VWWN/A, VX2, VX2/A VXE9, VXE9/A, VXU1, VXU1/A, WKS, WKS/A, WKT2, WKT2/A, WMB0 WMB0/A, WMT4, WMT4/A

E-11

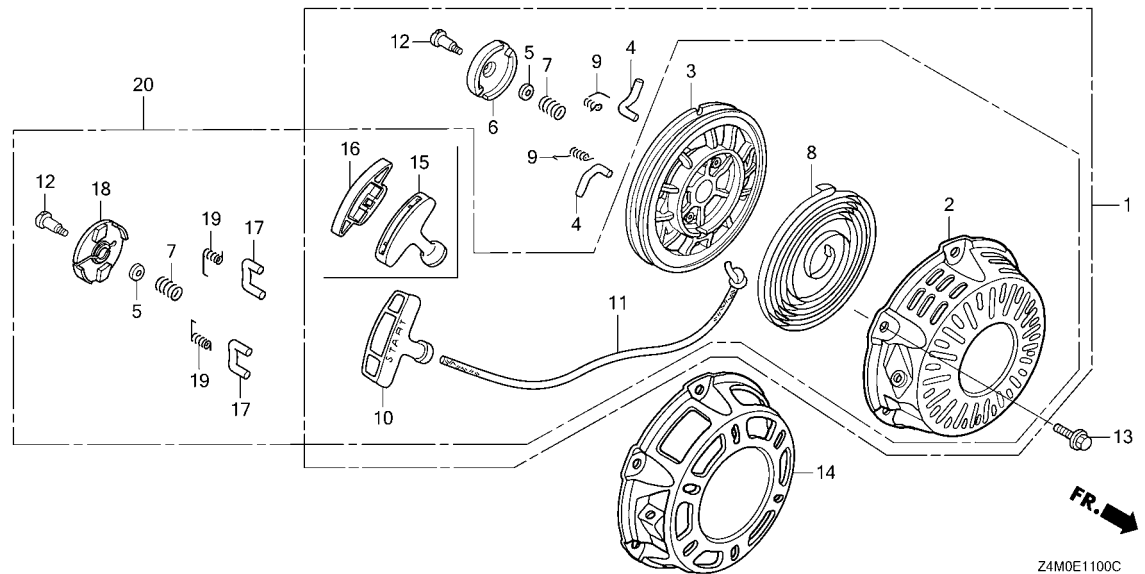
RECOIL STARTER

Ref. No.	Part No.	Description	Reqd. QTY						Serial No.	Parts catalogue code
			GX 160 UT1	GX 160 UT2	GX 160 UT2X	GX 160 RT1	GX 160 RT2	GX 160 RT2X		
17	28422-Z1T-701	RATCHET, STARTER.....	-	2	-	-	2	-	EMAN/A, HH26/A, HX2/A, HX4/A, HXE8/A, LHN4/A, LX2/A, LX4/A, LXM2/A, PXU/A, QA2/A, QAX4/A, QBM2/A, QC9, QC9/A, QCM, QCM/A, QGR9/A, QH26/A, QHG4/A, QHQ4/A, QMC6/A, QMC8/A, QMD6/A, QME4/A, QMX2/A, QWA4/A, QWX2/A, QX2/A, QX4/A, QX9/A, QXE2/A, QXE5/A, QXEB, QXGB, QXS2/A, QXU/A, QXWE/A, RH2/A, RHG4/A, RHQ4/A, RX4/A, RXE2/A, RXU/A, S1CY/A, SCM, SCM/A, SD16/A, SG24/A, SHCC, SHCC/A, SHQ4/A, SHRY/A, SMC7/A, SMC9/A, SMW2/A, SMX4/A, SMXE/A, SSSX2/A, SWX2/A, SX4/A, SX9/A, SXE5/A, SXS4/A, SXU/A, TX2/A, TX4/A, TXDU/A, UXU/A, VA2/A, VCG, VCG/A, VES6/A, VG25, VG25/A, VHH4/A, VSD9/A, VWS1, VWS1/A, VWWN/A, VX2/A, VXE9/A, VXU1/A, WKS/A, WKT2/A, WMB0/A, WMT4/A	
			-	2	-	-	2	2530951	EMAN, HH26, HX2, HX4, HXE8, LHN4, LX2, LX4, LXM2, PXU, QAX2, QAX4, QGR9, QH26, QHG4, QHQ4, QMC6, QME4, QMP4, QMX2, QMXC, QPU, QWX2, QX2, QX4, QX9, QXC9, QXE2, QXE5, QXM2, QXS2, QXU, QXWE, RH2, RHG4, RHQ4, RX4, RXE2, RXU, S1CY, SD16, SHQ4, SMW2, SMX4, SMXC, SMXE, SSSX2, SWX2, SX4, SX9, SXE5, SXS4, SXU, TX2, TX4, TXDU, UXU, VA2, VES6, VHH4, VPM5, VS19, VSD9, VWWN, VX2, VXE9, VXU1, WKS, WKT2, WMB0, WMT4	
			-	2	-	-	-	2546986	QA2, QBM2, QMC8, QMD6, QWA4, SG24, SHRY, SMC7, SMC9	
			-	2	-	-	-	2549164	VG29	
18	28433-Z1T-702	GUIDE, RATCHET.....	-	1	-	-	1	-	EMAN/A, HH26/A, HX2/A, HX4/A, HXE8/A, LHN4/A, LX2/A, LX4/A, LXM2/A, PXU/A, QA2/A, QAX4/A, QBM2/A, QC9, QC9/A, QCM, QCM/A, QGR9/A, QH26/A, QHG4/A, QHQ4/A, QMC6/A, QMC8/A, QMD6/A, QME4/A, QMX2/A, QWA4/A, QWX2/A, QX2/A, QX4/A, QX9/A, QXE2/A, QXE5/A, QXEB, QXGB, QXS2/A, QXU/A, QXWE/A, RH2/A, RHG4/A, RHQ4/A, RX4/A, RXE2/A, RXU/A, S1CY/A, SCM, SCM/A, SD16/A, SG24/A, SHCC, SHCC/A, SHQ4/A, SHRY/A, SMC7/A, SMC9/A, SMW2/A, SMX4/A, SMXE/A, SSSX2/A, SWX2/A, SX4/A, SX9/A, SXE5/A, SXS4/A, SXU/A, TX2/A, TX4/A, TXDU/A, UXU/A, VA2/A, VCG, VCG/A, VES6/A, VG25, VG25/A, VHH4/A, VSD9/A, VWS1, VWS1/A, VWWN/A, VX2/A, VXE9/A, VXU1/A, WKS/A, WKT2/A, WMB0/A, WMT4/A	
			-	1	-	-	1	2530951	EMAN, HH26, HX2, HX4, HXE8, LHN4, LX2, LX4, LXM2, PXU, QAX2, QAX4, QGR9, QH26, QHG4, QHQ4, QMC6, QME4, QMP4, QMX2, QMXC, QPU, QWX2, QX2, QX4, QX9, QXC9, QXE2, QXE5, QXM2, QXS2, QXU, QXWE, RH2, RHG4, RHQ4, RX4, RXE2, RXU, S1CY, SD16, SHQ4, SMW2, SMX4, SMXC, SMXE, SSSX2, SWX2, SX4, SX9, SXE5, SXS4, SXU, TX2, TX4, TXDU, UXU, VA2, VES6, VHH4, VPM5, VS19, VSD9, VWWN, VX2, VXE9, VXU1, WKS, WKT2, WMB0, WMT4	
			-	1	-	-	-	2546986	QA2, QBM2, QMC8, QMD6, QWA4, SG24, SHRY, SMC7, SMC9	
			-	1	-	-	-	2549164	VG29	
			-	-	1	-	1			



E-11

RECOIL STARTER



Ref. No.	Part No.	Description	Reqd. QTY						Serial No.	Parts catalogue code
			GX 160 UT1	GX 160 UT2	GX 160 UT2X	GX 160 RT1	GX 160 RT2	GX 160 RT2X		
19	28443-Z1T-701	SPRING, RETURN	-	2	-	-	2	-	EMAN/A, HH26/A, HX2/A, HX4/A, HXE8/A, LHN4/A, LX2/A, LX4/A, LXM2/A, PXU/A, QA2/A, QAX4/A, QBM2/A, QC9, QC9/A, QCM, QCM/A, QGR9/A, QH26/A, QHG4/A, QHQ4/A, QMC6/A, QMC8/A, QMD6/A, QME4/A, QMX2/A, QWA4/A, QWX2/A, QX2/A, QX4/A, QX9/A, QXE2/A, QXE5/A, QXEB, QXGB, QXS2/A, QXU/A, QXWE/A, RH2/A, RHG4/A, RHQ4/A, RX4/A, RXE2/A, RXU/A, S1CY/A, SCM, SCM/A, SD16/A, SG24/A, SHCC, SHCC/A, SHQ4/A, SHRY/A, SMC7/A, SMC9/A, SMW2/A, SMX4/A, SMXE/A, SSS2/A, SWX2/A, SX4/A, SX9/A, SXE5/A, SXS4/A, SXU/A, TX2/A, TX4/A, TXDU/A, UXU/A, VA2/A, VCG, VCG/A, VES6/A, VG25, VG25/A, VHH4/A, VSD9/A, VWS1, VWS1/A, VWWN/A, VX2/A, VXE9/A, VXU1/A, WKS/A, WKT2/A, WMB0/A, WMT4/A	
			-	2	-	-	2	-	2530951	EMAN, HH26, HX2, HX4, HXE8, LHN4, LX2, LX4, LXM2, PXU, QAX2, QAX4, QGR9, QH26, QHG4, QHQ4, QMC6, QME4, QMP4, QMX2, QMXC, QPU, QWX2, QX2, QX4, QX9, QXC9, QXE2, QXE5, QXM2, QXS2, QXU, QXWE, RH2, RHG4, RHQ4, RX4, RXE2, RXU, S1CY, SD16, SHQ4, SMW2, SMX4, SMXC, SMXE, SSS2, SWX2, SX4, SX9, SXE5, SXS4, SXU, TX2, TX4, TXDU, UXU, VA2, VES6, VHH4, VPM5, VS19, VSD9, VWWN, VX2, VXE9, VXU1, WKS, WKT2, WMB0, WMT4
			-	2	-	-	-	-	2546986	QA2, QBM2, QMC8, QMD6, QWA4, SG24, SHRY, SMC7, SMC9
			-	2	-	-	-	-	2549164	VG29
			-	-	2	-	-	2		
20	28400-Z4X-003ZA	STARTER ASSY., RECOIL (LONG ROPE) *NH1*.....BLACK	-	1	1	-	-	-		VCG, VCG/A, VG25, VG25/A

E-11

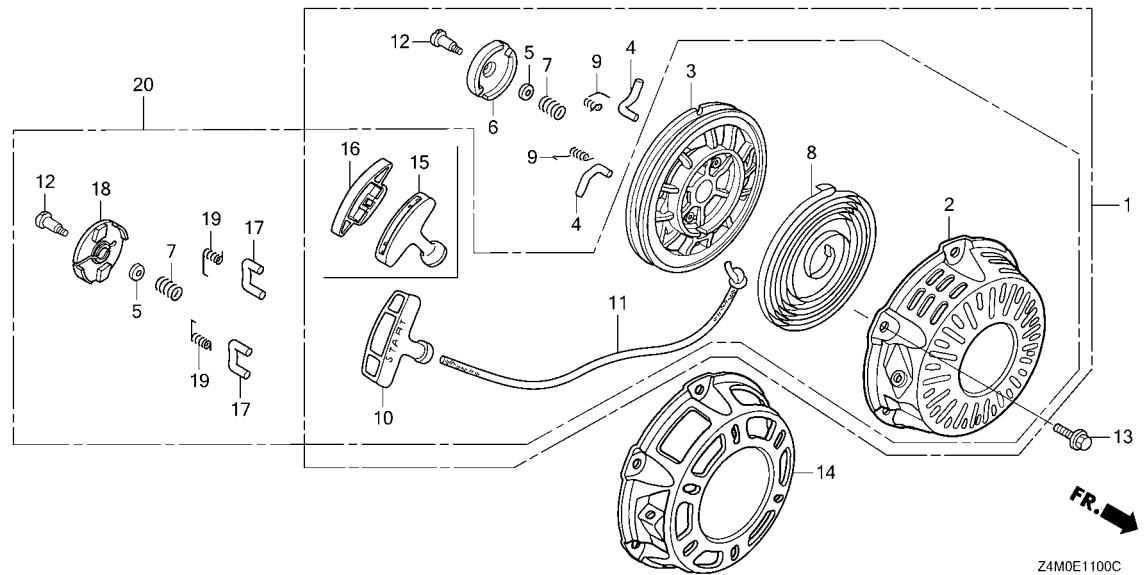
RECOIL STARTER

Ref. No.	Part No.	Description	Reqd. QTY						Serial No.	Parts catalogue code
			GX 160 UT1	GX 160 UT2	GX 160 UT2X	GX 160 RT1	GX 160 RT2	GX 160 RT2X		
20)	28400-24M-801ZD	STARTER ASSY., RECOIL *NH1*.....BLACK	-	1	-	-	1	-	EMAN/A, HX2/A, LX2/A, PXU/A, QA2/A, QBM2/A, QC9, QC9/A, QCM/A, QGR9/A, QH26/A, QHQ4/A, QMC6/A, QMC8/A, QMD6/A, QME4/A, QMX2/A, QWA4/A, QWX2/A, QX2/A, QX4/A, QX9/A, QXE2/A, QXEB, QXGB, QXS2/A, QXU/A, RH2/A, S1CY/A, SCM, SCM/A, SD16/A, SG24/A, SHQ4/A, SHRY/A, SMC7/A, SMC9/A, SMX4/A, SMXE/A, SXS2/A, SWX2/A, SX4/A, SX9/A, SXS4/A, SXU/A, TX2/A, TX4/A, VA2/A, VES6/A, VHH4/A, VWS1, VWS1/A, VWWN/A, VX2/A, VXU1/A, WKS/A, WKT2/A	
	28400-24M-801ZB	*R280*.....POWER RED	-	1	-	-	1	-	HH26/A, HX2/A, HX4/A, HXE8/A, LHN4/A, LX2/A, LX4/A, LXM2/A, PXU/A, QA2/A, QAX4/A, QBM2/A, QC9, QC9/A, QGR9/A, QH26/A, QHG4/A, QHQ4/A, QMC6/A, QMC8/A, QMD6/A, QME4/A, QWA4/A, QWX2/A, QX2/A, QX4/A, QX9/A, QXE2/A, QXE5/A, QXEB, QXGB, QXS2/A, QXU/A, QXWE/A, RH2/A, RHG4/A, RHQ4/A, RX4/A, RXE2/A, RXU/A, S1CY/A, SCM, SCM/A, SD16/A, SG24/A, SHCC, SHCC/A, SHQ4/A, SHRY/A, SMC7/A, SMC9/A, SMW2/A, SMXE/A, SX4/A, SX9/A, SXE5/A, SXS4/A, SXU/A, TX2/A, TX4/A, TXDU/A, UXU/A, VA2/A, VES6/A, VHH4/A, VSD9/A, VX2/A, VXE9/A, VXU1/A, WKS/A, WKT2/A, WMB0/A, WMT4/A	
	28400-24M-306ZC	STARTER ASSY., RECOIL(COO) (FOR U.S.A.) *NH1*.....BLACK	-	1	-	-	1	2530951	EMAN, HX2, LX2, PXU, QGR9, QH26, QHQ4, QMC6, QME4, QMX2, QMXC, QPU, QWX2, QX2, QX4, QX9, QXC9, QXE2, QXS2, QXU, RH2, SD16, SHQ4, SMX4, SMXC, SMXE, SXS2, SWX2, SX4, SX9, SXS4, SXU, TX2, TX4, VA2, VES6, VHH4, VWWN, VX2, VXU1, WKS, WKT2	
	28400-24M-801ZD	STARTER ASSY., RECOIL *NH1*.....BLACK	-	1	-	-	1	2530951	EMAN, HX2, LX2, PXU, QGR9, QH26, QHQ4, QMC6, QME4, QMX2, QMXC, QPU, QWX2, QX2, QX4, QX9, QXE2, QXS2, QXU, RH2, S1CY, SD16, SHQ4, SMXC, SXS2, SWX2, SX4, SX9, SXS4, SXU, TX2, TX4, VA2, VES6, VHH4, VWWN, VX2, VXU1, WKS, WKT2	
	28400-24M-306ZB	STARTER ASSY., RECOIL(COO) (FOR U.S.A.) *R280*.....POWER RED	-	1	-	-	1	2530951	HH26, HX2, HX4, HXE8, LHN4, LX2, LX4, LXM2, PXU, QAX2, QAX4, QGR9, QH26, QHG4, QHQ4, QMC6, QME4, QMP4, QPU, QWX2, QX2, QX4, QX9, QXC9, QXE2, QXE5, QXM2, QXS2, QXU, QXWE, RH2, RHG4, RHQ4, RX4, RXE2, RXU, S1CY, SD16, SHQ4, SMW2, SMXC, SMXE, SX4, SX9, SXE5, SXS4, SXU, TX2, TX4, TXDU, UXU, VA2, VES6, VHH4, VPM5, VS19, VSD9, VX2, VXE9, VXU1, WKS, WKT2, WMB0, WMT4	
	28400-24M-801ZB	STARTER ASSY., RECOIL *R280*.....POWER RED	-	1	-	-	1	2530951	HH26, HX2, HX4, HXE8, LHN4, LX2, LX4, LXM2, PXU, QAX2, QAX4, QGR9, QH26, QHG4, QHQ4, QMC6, QME4, QMP4, QPU, QWX2, QX2, QX4, QX9, QXE2, QXE5, QXM2, QXS2, QXU, QXWE, RH2, RHG4, RHQ4, RX4, RXE2, RXU, S1CY, SD16, SHQ4, SMW2, SMXC, SX4, SX9, SXE5, SXS4, SXU, TX2, TX4, TXDU, UXU, VA2, VES6, VHH4, VPM5, VS19, VSD9, VX2, VXE9, VXU1, WKS, WKT2, WMB0	
	28400-24M-306ZB	STARTER ASSY., RECOIL(COO) (FOR U.S.A.) *R280*.....POWER RED	-	1	-	-	-	-----	QC9	
	28400-24M-306ZC	*NH1*.....BLACK	-	1	-	-	-	-----	QC9, QCM	
	28400-24M-306ZB	*R280*.....POWER RED	-	1	-	-	-	2546986	-----	QA2, QBM2, QMC8, QMD6, QWA4, SG24, SHRY, SMC7, SMC9
	28400-24M-306ZC	*NH1*.....BLACK	-	1	-	-	-	2546986	-----	QA2, QBM2, QMC8, QMD6, QWA4, SG24, SMC7, SMC9
	28400-24M-801ZB	STARTER ASSY., RECOIL *R280*.....POWER RED	-	1	-	-	-	2546986	-----	QA2, QBM2, QMC8, QMD6, QWA4, SHRY, SMC7, SMC9
	28400-24M-801ZD	*NH1*.....BLACK	-	1	-	-	-	2546986	-----	QA2, QBM2, QMC8, QMD6, QWA4, SHRY, SMC7, SMC9
	28400-24X-003ZA	STARTER ASSY., RECOIL (LONG ROPE) *NH1*.....BLACK	-	1	-	-	-	2549164	-----	VG29



E-11

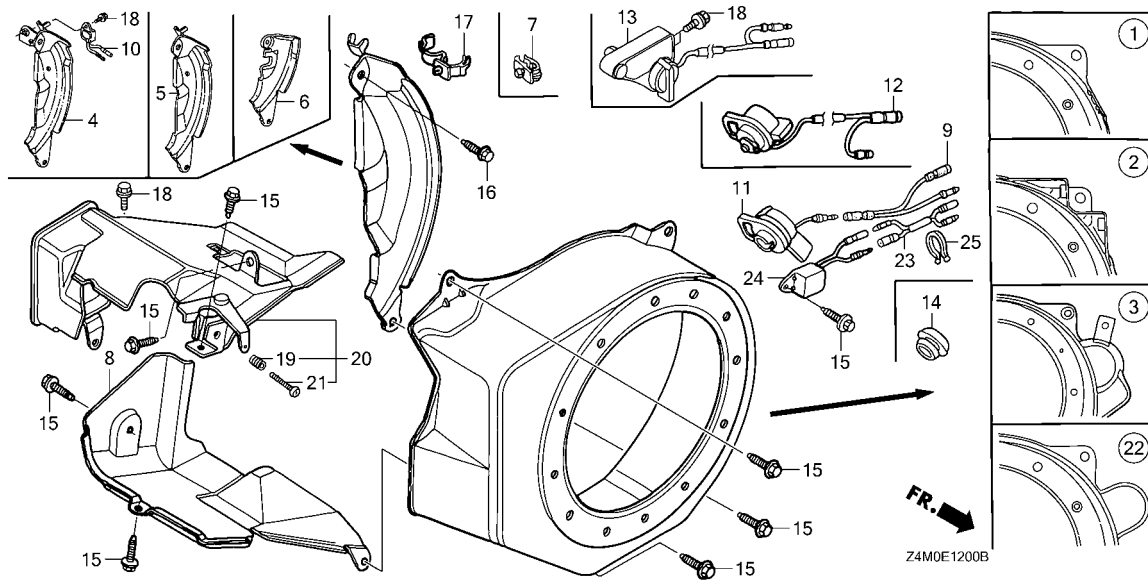
RECOIL STARTER



Ref. No.	Part No.	Description	Reqd. QTY						Serial No.	Parts catalogue code
			GX 160 UT1	GX 160 UT2	GX 160 UT2X	GX 160 RT1	GX 160 RT2	GX 160 RT2X		
20)	28400-Z4M-801ZB	STARTER ASSY., RECOIL *R280*.....POWER RED	-	-	1	-	-	-	-----	HH26, HX2, HX4, HXE8, LX2, LX4, LXM2, PXU, QA2, QAX4, QBM2, QC9, QGR9, QH26, QHQ4, QMC6, QMC8, QMD6, QME4, QWA4, QX2, QX4, QX9, QXE2, QXE5, QXEB, QXGB, QXU, QXWE, RH2, RHQ4, RX4, RXE2, S1CY, SCM, SD16, SG24, SHCC, SHQ4, SHRY, SMC7, SMW2, SMXE, SX4, SXE5, SXS4, SXU, TX2, TX4, TXDU, UXU, VA2, VSD9, VXE9, WKS, WKT2, WMB0, WMT4
	28400-Z4M-801ZD	*NH1*.....BLACK	-	-	1	-	-	-	-----	HX2, LX2, PXU, QA2, QBM2, QC9, QCM, QGR9, QH26, QHQ4, QMC6, QMC8, QMD6, QME4, QMX2, QWA4, QX2, QX4, QX9, QXE2, QXEB, QXGB, QXU, RH2, SCM, SD16, SG24, SHQ4, SHRY, SMC7, SMX4, SMXE, SSS2, SWX2, SX4, SXS4, SXU, TX2, TX4, VA2, WKS, WKT2
	28400-Z4M-801ZB	*R280*.....POWER RED	-	-	-	-	-	1	-----	EMAN, VES6, VVS1, VVWN, QHG4, RHG4, VES6, VVWN

E-12

FAN COVER



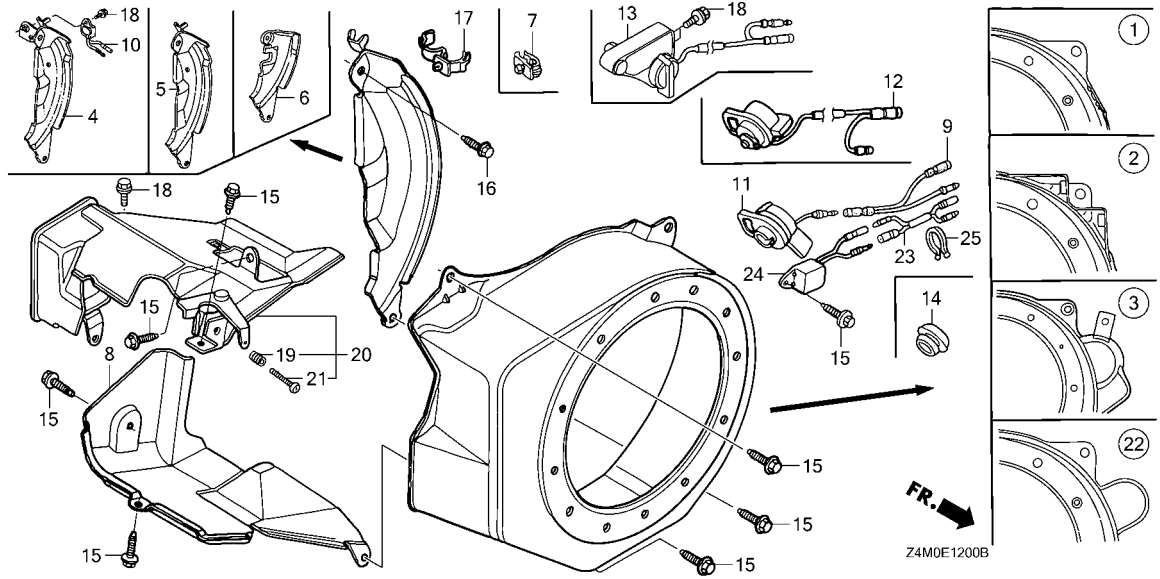
Ref. No.	L.O.N.	(Relative ref. Number) Description	F.R.T.
1		(2,3,22)	
1141G8		COVER, ENGINE COOLING FAN	0.2
4		(5,6)	
1121A7		PLATE, SIDE	0.3
8		4141E3 SHROUD, ENGINE	0.2
9		6111E5 SUB HARNESS, OIL LEVEL SWITCH (24)	0.2
10		6151A0 ALERT UNIT, ENGINE OIL	0.1
11		(12,13)	
6151D9		SWITCH, ENGINE STOP	0.2

Ref. No.	Part No.	Description	Reqd. QTY						Serial No.	Parts catalogue code
			GX 160 UT1	GX 160 UT2	GX 160 UT2X	GX 160 RT1	GX 160 RT2	GX 160 RT2X		
1	19610-ZE1-010ZP	COVER COMP., FAN *R280*.....POWER RED	1	-	-	1	-	-	-----	HH26, HHQ4, HX2, HX4, HXU, QAX2, QAX4, QBM2, QHG4, QHQU, QNT4, QXC4, QXC9, RH2, RHG4, RHQ4, RTB2, RX4, RXU, SHQU, SX2, SXS, SXS2, TXC9, TXDU, UXU, VPMN, VSD2, WMB0
	19610-ZE1-010ZC	*NH1*.....BLACK	1	-	-	-	-	-	-----	HX2, QBM2, QXC4, QXC9, RH2, SG22, SXS2, VG29, VGE2
	19610-ZE1-010ZG	*NH105*.....MAT BLACK(#15-#20)	1	-	-	-	-	-	-----	VWVN
	19610-ZE1-000ZP	*R280*.....POWER RED	1	-	-	-	-	-	1699489	LHQ4, LX2, LX26, LX4, LXU, PXU, QA2, QA26, QBC2, QBT6, QCL, QGR9, QH26, QHQ4, QMC6, QMC8, QMD6, QME4, QMP4, QM22, QNT, QPU, QWA4, QWX2, QX2, QX26, QX4, QX7, QX9, QXF2, QXS2, QXU, SD16, SG24, SHQ4, SMC7, SMC9, SX4, SX7, SX9, SXS4, SXU, TCS2, TX2, TX26, TX4, TXU, VA2, VG24, VGE4, VGE5, VHA9, VHH4, VMS4, VPM4, VPM5, VPM8, VPM9, VPR4, VPR9, VSD, VSD7, VSD9, VWA2, VX2, VX4, VXU1, VXW2, WKS, WKT2, WKT4, WKT6
	19610-ZE1-000ZC	*NH1*.....BLACK	1	-	-	-	-	-	1699489	LX2, PXU, QA2, QA26, QBC2, QBT6, QCB2, QCL, QGR9, QH26, QHQ4, QMC6, QMC8, QMD6, QME4, QM22, QNT, QPU, QW24, QWA4, QWW2, QWX2, QX2, QX26, QX4, QX7, QX9, QXF2, QXS2, QXU, SD16, SG24, SHQ4, SMC7, SMC9, SX4, SX7, SX9, SXS4, SXU, TCS2, TW24, TX2, TX26, TX4, TXU, VA2, VG24, VGE4, VHH4, VMS4, VPM4, VPR4, VPR9, VSD, VSD7, VSD9, VWA2, VX2, VX4, VXU1, VXW2, WKS, WKT6
	19610-ZE1-000ZG	*NH105*.....MAT BLACK(#15-#20)	1	-	-	-	-	-	1699489	QWW2, QWX2, SWX2, TW24, VWA2, VWV2
	19610-ZE1-010ZP	*R280*.....POWER RED	1	-	-	-	-	1699490	-----	LHQ4, LX2, LX26, LX4, LXU, PXU, QA2, QA26, QBC2, QBT6, QCL, QGR9, QH26, QHQ4, QMC6, QMC8, QMD6, QME4, QMP4, QM22, QNT, QPU, QWA4, QWX2, QX2, QX26, QX4, QX7, QX9, QXF2, QXS2, QXU, SD16, SG24, SHQ4, SMC7, SMC9, SX4, SX7, SX9, SXS4, SXU, TCS2, TX2, TX26, TX4, TXU, VA2, VG24, VGE4, VGE5, VHA9, VHH4, VMS4, VPM4, VPM5, VPM8, VPM9, VPR4, VPR9, VSD, VSD7, VSD9, VWA2, VX2, VX4, VXU1, VXW2, WKS, WKT2, WKT4, WKT6



E-12

FAN COVER



Ref. No.	Part No.	Description	Reqd. QTY						Serial No.	Parts catalogue code
			GX UT1	GX UT2	GX UT2X	GX RT1	GX RT2	GX RT2X		
(1)	19610-ZE1-010ZC	COVER COMP., FAN *NH1*.....BLACK	1	-	-	-	-	-	1699490	----- LX2, PXU, QA2, QA26, QBC2, QBT6, QCB2, QCL, QGR9, QH26, QHQ4, QMC6, QMC8, QMD6, QME4, QMZ2, QNT, QPU, QW24, QWA4, QWW2, QWX2, QX2, QX26, QX4, QX7, QX9, QXF2, QXS2, QXU, SD16, SG24, SHQ4, SMC7, SMC9, SX4, SX7, SX9, SXS4, SXU, TCS2, TW24, TX2, TX26, TX4, TXU, VA2, VG24, VGE4, VHH4, VMS4, VPM4, VPR4, VPR9, VSD, VSD7, VSD9, VWA2, VX2, VX4, VXU1, VXW2, WKS, WKT6
	19610-ZE1-010ZG	*NH105*....MAT BLACK(#15-#20)	1	-	-	-	-	-	1699490	----- QWW2, QWX2, SWX2, TW24, VWA2, VWW2
	19610-Z4M-000ZA	*R280*.....POWER RED	-	1	1	-	1	1	-----	----- HH26, HH26/A, HHQ4, HX2, HX2/A, HX4, HX4/A, LHN4, LHN4/A, LHQ4, LX2, LX2/A, LX4, LX4/A, LXM2, LXM2/A, PXU, PXU/A, QA2, QA2/A, QAX2, QAX4, QAX4/A, QBC2, QBM2, QBM2/A, QC9, QC9/A, QGR9, QGR9/A, QH26, QH26/A, QHG4, QHG4/A, QHQ4, QHQ4/A, QMC6, QMC6/A, QMC8, QMC8/A, QMD6, QMD6/A, QME4, QME4/A, QMP4, QPU, QWA4, QWA4/A, QWX2, QWX2/A, QX2, QX2/A, QX4, QX4/A, QX9, QX9/A, QXC9, QXGB, QXM2, QXS2, QXS2/A, QXU, QXU/A, RH2, RH2/A, RHG4, RHG4/A, RHQ4, RHQ4/A, RX4, RX4/A, RXU, RXU/A, S1CY, S1CY/A, SCM, SCM/A, SD16, SD16/A, SG24, SG24/A, SHCC, SHCC/A, SHQ4, SHQ4/A, SMC7, SMC7/A, SMC9, SMC9/A, SMM2, SMM2/A, SMXC, SMXE, SMXE/A, SX4, SX4/A, SX9, SX9/A, SXS4, SXS4/A, SXU, SXU/A, TX2, TX2/A, TX4, TX4/A, TXC9, TXDU, TXDU/A, UXU, UXU/A, VA2, VA2/A, VES6, VES6/A, VGE4, VGE5, VHH4, VHH4/A, VPM5, VSD9, VSD9/A, VWWN, VWWN/A, VX2, VX2/A, VXU1, VXU1/A, WKS, WKS/A, WKT2, WKT2/A, WMB0, WMB0/A, WMT4, WMT4/A
	19610-Z4M-600ZA	*R280*.....POWER RED	-	1	1	-	-	-	-----	----- SHRY, SHRY/A
	19610-Z4M-600ZB	*NH1*.....BLACK	-	1	1	-	-	-	-----	----- SHRY, SHRY/A

E-12

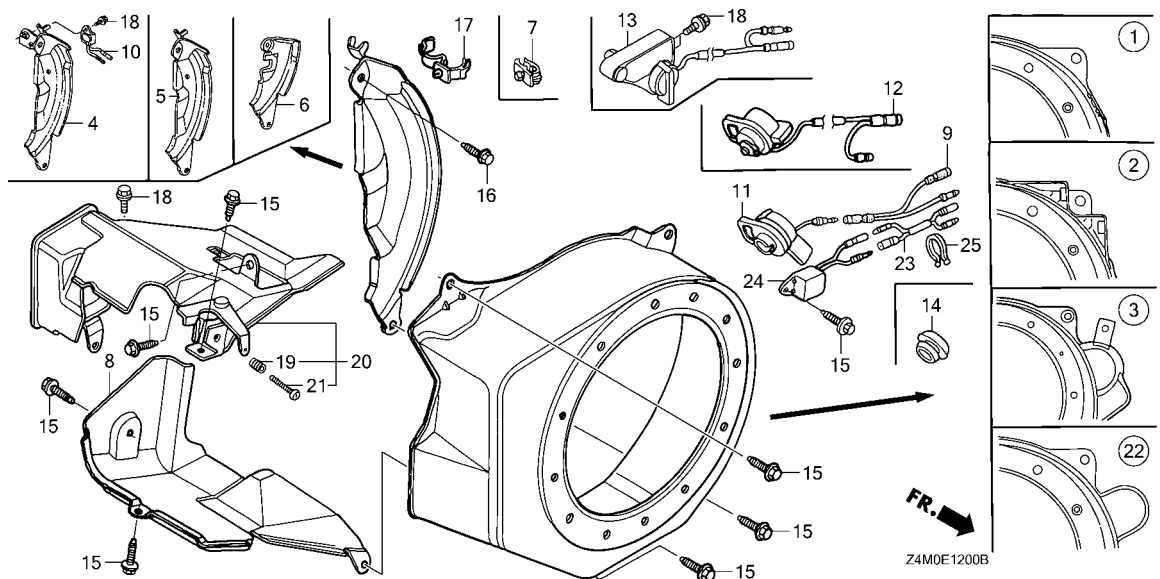
FAN COVER

Ref. No.	Part No.	Description	Reqd. QTY						Serial No.	Parts catalogue code	
			GX 160 UT1	GX 160 UT2	GX 160 UT2X	GX 160 RT1	GX 160 RT2	GX 160 RT2X			
(1)	19610-Z4M-000ZB	COVER COMP., FAN *NH1*.....BLACK	-	1	-	-	1	1	-----	EMAN, EMAN/A, HX2, HX2/A, LX2, LX2/A, PXU, PXU/A, QA2, QA2/A, QBC2, QBM2, QBM2/A, QC9, QC9/A, QCM, QCM/A, QGR9, QGR9/A, QH26, QH26/A, QHQ4, QHQ4/A, QMC6, QMC6/A, QMC8, QMC8/A, QMD6, QMD6/A, QME4, QME4/A, QMX2, QMX2/A, QMXC, QPU, QWA4, QWA4/A, QWX2, QWX2/A, QX2, QX2/A, QX4, QX4/A, QX9, QX9/A, QXC9, QXGB, QXS2, QXS2/A, QXU, QXU/A, RH2, RH2/A, S1CY, S1CY/A, SCM, SCM/A, SD16, SD16/A, SG24, SG24/A, SHQ4, SHQ4/A, SMC7, SMC7/A, SMC9, SMC9/A, SMX4, SMX4/A, SMXC, SMXE, SMXE/A, SSS2, SSS2/A, SWX2, SWX2/A, SX4, SX4/A, SX9, SX9/A, SXS4, SXS4/A, SXU, SXU/A, TX2, TX2/A, TX4, TX4/A, VA2, VA2/A, VCG, VCG/A, VES6, VES6/A, VG25, VG25/A, VG29, VGE4, VHH4, VHH4/A, VWS, VWS1, VWS1/A, VWWN, VWWN/A, VX2, VX2/A, VXU1, VXU1/A, WKS, WKS/A, WKT2, WKT2/A, HX2, LX2, PXU, QA2, QBM2, QC9, QCM, QGR9, QH26, QHQ4, QMC6, QMC8, QMD6, QME4, QMX2, QWA4, QX2, QX4, QX9, QXGB, QXU, RH2, SCM, SD16, SG24, SHQ4, SMC7, SMX4, SMXE, SSS2, SWX2, SX4, SXS4, SXU, TX2, TX4, VA2, VG25, WKS, WKT2	
2	19610-ZE1-810ZG	COVER COMP., FAN(OIL ALERT) *R280*.....POWER RED	1	-	-	-	-	-	-----	1699489 VS17, VS19, VSD1	
	19610-ZE1-810ZB	*NH1*.....BLACK	1	-	-	-	-	-	-----	1699489 VSD1	
	19610-ZE1-811ZG	*R280*.....POWER RED	1	-	-	-	-	-	1699490	-----	VS17, VS19, VSD1
	19610-ZE1-811ZB	*NH1*.....BLACK	1	-	-	-	-	-	1699490	-----	VSD1
	19610-Z4M-810ZA	*R280*.....POWER RED	-	-	-	-	1	-	-----	-----	VS19
3	19610-ZE1-831ZG	COVER COMP., FAN (STARTER MOTOR) *R280*.....POWER RED	1	-	-	-	-	-	-----	-----	HXE8, QKA4, QXE4, QXE5, QXE8, QXP2, QXW, QXWE, RXE2, RXP2, SXE4, SXE5
	19610-ZE1-830ZA	*NH1*.....BLACK	1	-	-	-	-	-	1699489	-----	QXE2
	19610-ZE1-830ZG	*R280*.....POWER RED	1	-	-	-	-	-	1699489	-----	QXE2, VXE9
	19610-ZE1-831ZA	*NH1*.....BLACK	1	-	-	-	-	-	1699490	-----	QXE2
	19610-ZE1-831ZG	*R280*.....POWER RED	1	-	-	-	-	-	1699490	-----	QXE2, VXE9
	19610-Z4M-830ZB	*R280*.....POWER RED	-	1	1	-	-	-	-----	-----	HXE8, HXE8/A, QXE2, QXE2/A, QXE5, QXE5/A, QXE8, QXEB, QXWE, QXWE/A, RXE2, RXE2/A, SXE5, SXE5/A, VXE9, VXE9/A
	19610-Z4M-830ZC	*NH1*.....BLACK	-	1	1	-	-	-	-----	-----	QXE2, QXE2/A, QXEB
4	19611-ZH8-810	PLATE COMP., SIDE(OIL ALERT)	1	-	-	-	-	-	-----	-----	HX2, HX4, HXU, LX2, LX26, LX4, LXU, PXU, QBT6, QCL, QMC8, QNT, QNT4, QW24, QWA4, QWW2, QWX2, QX2, QX26, QX4, QX7, QX9, QXC4, QXC9, QXF2, QXU, RX4, RXU, SG22, SG24, SMC7, SSS2, SWX2, SX2, SX4, SX7, SX9, SXS, SXS2, SXS4, SXU, TCS2, TW24, TX2, TX26, TX4, TXC9, TXDU, TXU, UXU, VA2, VG24, VG29, VGE2, VGE4, VGE5, VHA9, VHH4, VMS4, VPM4, VPM5, VPM8, VPM9, VPMN, VPR4, VPR9, VS17, VS19, VSD, VSD1, VSD2, VSD7, VSD9, VWA2, VWW2, VWWN, VX2, VX4, VXU1, VXW2, WKS, WKT2, WKT4, WKT6
	19611-ZH8-820	PLATE COMP., SIDE (ALERT & LAMP)	1	-	-	-	-	-	-----	-----	QAX2, QAX4, QGR9, QMD6, QXS2, SMC9
	19611-Z4M-820	-	1	1	-	1	1	-----	-----	EMAN, EMAN/A, QAX2, QAX4, QAX4/A, QGR9, QGR9/A, QMD6, QMD6/A, QXGB, QXS2, QXS2/A, SMC9, SMC9/A
	19611-Z4M-810	PLATE COMP., SIDE(OIL ALERT)	-	1	1	-	1	1	-----	-----	HX2, HX2/A, HX4, HX4/A, LX2, LX2/A, LX4, LX4/A, LXM2, LXM2/A, PXU, PXU/A, QC9, QC9/A, QCM, QCM/A, QMC8, QMC8/A, QMX2, QMX2/A, QMXC, QWA4, QWA4/A, QWX2, QWX2/A, QX2, QX2/A, QX4, QX4/A, QX9, QX9/A, QXC9, QXM2, QXU, QXU/A, RX4, RX4/A, RXU, RXU/A, SCM, SCM/A, SG24, SG24/A, SMC7, SMC7/A, SMW2, SMW2/A, SMX4, SMX4/A, SMXC, SMXE, SMXE/A, SSS2, SSS2/A, SWX2, SWX2/A, SX4, SX4/A, SX9, SX9/A, SXS4, SXS4/A, SXU, SXU/A, TX2, TX2/A, TX4, TX4/A, TXC9, TXDU, TXDU/A, UXU, UXU/A, VA2, VA2/A, VCG, VCG/A, VES6, VES6/A, VG25, VG25/A, VG29, VGE4, VGE5, VHH4, VHH4/A, VPM5, VPM5/A, VSD9, VSD9/A, VWS, VWS1, VWS1/A, VWWN, VWWN/A, VX2, VX2/A, VXU1, VXU1/A, WKS, WKS/A, WKT2, WKT2/A, WMT4, WMT4/A



E-12

FAN COVER



Ref. No.	Part No.	Description	Reqd. QTY						Serial No.	Parts catalogue code
			GX 160 UT1	GX 160 UT2	GX 160 UT2X	GX 160 RT1	GX 160 RT2	GX 160 RT2X		
5	19612-ZH8-000	PLATE, SIDE(STD.)	1	-	-	1	-	-	-----	HH26, HHQ4, LHQ4, QA2, QA26, QBC2, QBM2, QCB2, QH26, QHG4, QHQ4, QHQU, QME4, QMP4, QMZ2, QPU, RH2, RHG4, RHQ4, RTB2, SD16, SHQ4, SHQU, WMB0
	19612-ZH8-821	PLATE, SIDE(LAMP)	1	-	-	-	-	-	-----	QMC6
	19612-Z4M-000	PLATE, SIDE(STD.)	-	1	1	-	1	1	-----	HH26, HH26/A, HHQ4, LHN4, LHN4/A, LHQ4, QA2, QA2/A, QBC2, QBM2, QBM2/A, QH26, QH26/A, QHG4, QHG4/A, QHQ4, QHQ4/A, QME4, QME4/A, QMP4, QPU, RH2, RH2/A, RHG4, RHG4/A, RHQ4, RHQ4/A, S1CY, S1CY/A, SD16, SD16/A, SHCC, SHCC/A, SHQ4, SHQ4/A, SHRY, SHRY/A, WMB0, WMB0/A
	19612-Z4M-820	PLATE, SIDE(LAMP)	-	1	1	-	-	-	-----	QMC6, QMC6/A
6	19612-ZH8-840	PLATE, SIDE(STARTER MOTOR)	1	-	-	1	-	-	-----	HXE8, QKA4, QXE2, QXE4, QXE5, QXE8, QXP2, QXW, QXWE, RXE2, RXP2, SWG4, SXE4, SXE5, VXE9
	19612-Z4M-840		-	1	1	-	1	-	-----	HXE8, HXE8/A, QXE2, QXE2/A, QXE5, QXE5/A, QXE8, QXE8, QXWE, QXWE/A, RXE2, RXE2/A, SWG4, SWG4/A, SXE5, SXE5/A, VXE9, VXE9/A
7	19613-ZE1-020	CLAMP, CORD	1	-	-	-	1	1	-----	VES6, VES6/A, VGE2, VGE4, VGE5, VPM4, VPR4, VPR9, VWS, VWS1, VWS1/A

E-12

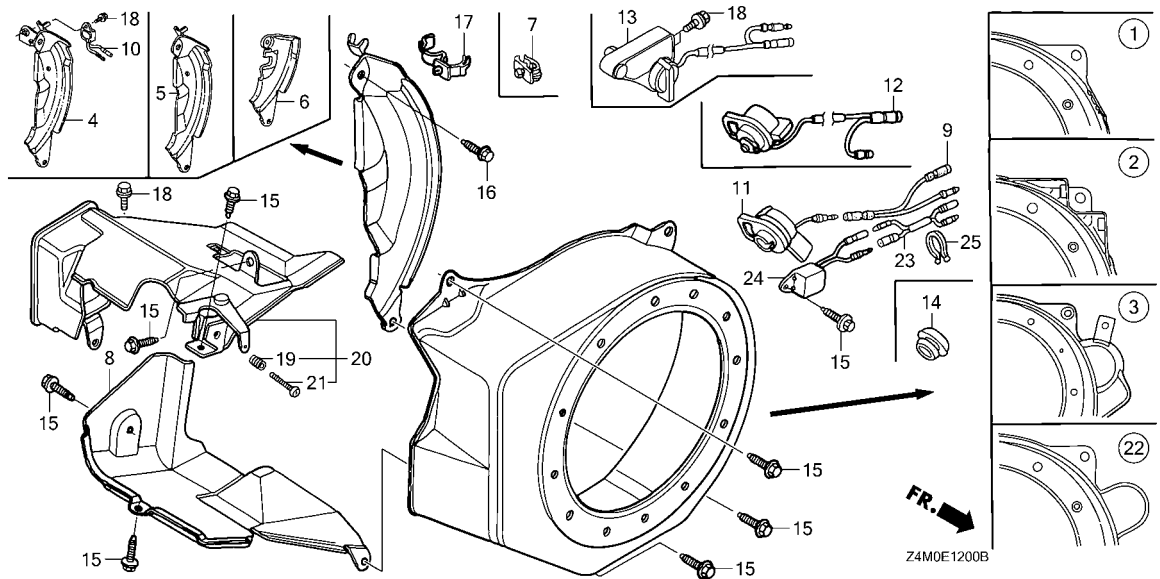
FAN COVER

Ref. No.	Part No.	Description	Reqd. QTY						Serial No.	Parts catalogue code
			GX 160 UT1	GX 160 UT2	GX 160 UT2X	GX 160 RT1	GX 160 RT2	GX 160 RT2X		
8	19630-ZH8-000	SHROUD COMP.	1	-	-	1	-	-	HH26, HHQ4, HX2, HX4, HXE8, HXU, LHQ4, LX2, LX26, LX4, LXU, PXU, QA2, QA26, QAX2, QAX4, QBC2, QBM2, QBT6, QCB2, QCL, QGR9, QH26, QHG4, QHQ4, QHQ4, QKA4, QMC6, QMC8, QMD6, QME4, QMP4, QM22, QNT, QNT4, QPU, QW24, QWA4, QWW2, QWX2, QX2, QX26, QX4, QX7, QX9, QXC4, QXC9, QXE2, QXE4, QXE5, QXE8, QXF2, QXP2, QXS2, QXU, QXW, QXWE, RH2, RHG4, RHQ4, RTB2, RX4, RXE2, RXP2, RXU, SD16, SG22, SG24, SHQ4, SHQU, SMC7, SMC9, SSSX2, SWG4, SWX2, SX2, SX4, SX7, SX9, SXE4, SXE5, SXS, SXS2, SXS4, SXU, TCS2, TW24, TX2, TX26, TX4, TXC9, TXDU, TXU, UXU, VA2, VG24, VG29, VGE2, VGE4, VGE5, VHA9, VHH4, VMS4, VPM4, VPM5, VPM8, VPM9, VPMN, VPR4, VPR9, VS17, VS19, VSD, VSD1, VSD2, VSD7, VSD9, VWA2, VX2, VX4, VXE9, VXU1, VXXW2, WKS, WKT2, WKT4, WKT6, WMB0	
	19630-ZB2-000	SHROUD COMP., LOWER	1	-	-	-	-	-	VWW2, VWWN	
	19630-Z4M-010	SHROUD COMP.	-	1	-	-	1	-	HH26/A, HX2/A, HX4/A, HXE8/A, LHN4/A, LX2/A, LX4/A, LXM2/A, PXU/A, QA2/A, QAX4/A, QBM2/A, QC9, QC9/A, QCM, QCM/A, QGR9/A, QH26/A, QHG4/A, QHQ4/A, QMC6/A, QMC8/A, QMD6/A, QME4/A, QMX2/A, QWA4/A, QWX2/A, QX2/A, QX4/A, QX9/A, QXE2/A, QXE5/A, QXEB, QXGB, QXS2/A, QXU/A, QXWE/A, RH2/A, RHG4/A, RHQ4/A, RX4/A, RXE2/A, RXU/A, S1CY/A, SCM, SCM/A, SD16/A, SG24/A, SHCC, SHCC/A, SHQ4/A, SHRY/A, SMC7/A, SMC9/A, SMW2/A, SMX4/A, SMXE/A, SSSX2/A, SWG4/A, SWX2/A, SX4/A, SX9/A, SXE5/A, SXS4/A, SXU/A, TX2/A, TX4/A, TXDU/A, UXU/A, VA2/A, VCG, VCG/A, VG25, VG25/A, VHH4/A, VSD9/A, VX2/A, VXE9/A, VXU1/A, WKS/A, WKT2/A, WMB0/A, WMT4/A	
	19630-Z4M-000	-	1	-	-	1	-	HHQ4, LHQ4, QBC2, QXE8, TXC9, VGE4, VGE5	
			-	1	-	-	1	-	2388858 HH26, HX2, HX4, HXE8, LHN4, LX2, LX4, LXM2, PXU, QA2, QAX2, QAX4, QBM2, QGR9, QH26, QHG4, QHQ4, QMC6, QMC8, QMD6, QME4, QMP4, QMX2, QMXC, QPU, QWA4, QWX2, QX2, QX4, QX9, QXC9, QXE2, QXE5, QXM2, QXS2, QXU, QXWE, RH2, RHG4, RHQ4, RX4, RXE2, RXU, S1CY, SD16, SG24, SHQ4, SHRY, SMC7, SMC9, SMW2, SMX4, SMXC, SMXE, SSSX2, SWG4, SWX2, SX4, SX9, SXE5, SXS4, SXU, TX2, TX4, TXDU, UXU, VA2, VG29, VHH4, VPM5, VS19, VSD9, VX2, VXE9, VXU1, WKS, WKT2, WMB0, WMT4	
	19630-Z4M-010	-	1	-	-	1	-	2388859 HH26, HX2, HX4, HXE8, LHN4, LX2, LX4, LXM2, PXU, QA2, QAX2, QAX4, QBM2, QGR9, QH26, QHG4, QHQ4, QMC6, QMC8, QMD6, QME4, QMP4, QMX2, QMXC, QPU, QWA4, QWX2, QX2, QX4, QX9, QXC9, QXE2, QXE5, QXM2, QXS2, QXU, QXWE, RH2, RHG4, RHQ4, RX4, RXE2, RXU, S1CY, SD16, SG24, SHQ4, SHRY, SMC7, SMC9, SMW2, SMX4, SMXC, SMXE, SSSX2, SWG4, SWX2, SX4, SX9, SXE5, SXS4, SXU, TX2, TX4, TXDU, UXU, VA2, VG29, VHH4, VPM5, VS19, VSD9, VX2, VXE9, VXU1, WKS, WKT2, WMB0, WMT4	
	19630-Z4M-800	SHROUD COMP., LOWER	-	-	1	-	-	-	EMAN, EMAN/A, VES6, VES6/A, VWS, VWS1, VWS1/A, VWWN, VWWN/A	
	19630-Z4M-010	SHROUD COMP.	-	-	-	-	1	1	QHG4, RHG4	
9	32197-ZH8-003	SUB HARNESS	1	-	-	-	1	1	VES6, VES6/A, VGE2, VGE4, VGE5, VPM4, VPR4, VPR9	
10	34150-ZH7-013	ALERT UNIT, OIL	1	-	-	-	-	-	HX2, HX4, HXU, QAX2, QAX4, QNT4, QXC4, QXC9, RX4, RXU, SG22, SSSX2, SX2, SXS, SXS2, TXC9, TXDU, UXU, VG29, VGE2, VSD2	
	34150-ZH7-003	1	-	-	-	-	-	LX2, LX26, LX4, LXU, PXU, QBT6, QCL, QGR9, QMC8, QMD6, QNT, QW24, QWA4, QWW2, QWX2, QX2, QX26, QX4, QX7, QX9, QXF2, QXS2, QXU, SG24, SMC7, SMC9, SWX2, SX4, SX7, SX9, SXS4, SXU, TCS2, TW24, TX2, TX26, TX4, TXU, VA2, VG24, VGE4, VGE5, VHA9, VHH4, VMS4, VPM4, VPM5, VPM8, VPM9, VPMN, VPR4, VPR9, VS17, VS19, VSD, VSD1, VSD7, VSD9, VWA2, VWW2, VWWN, VX2, VX4, VXU1, VXXW2, WKS, WKT2, WKT4, WKT6	



E-12

FAN COVER



Ref. No.	Part No.	Description	Reqd. QTY						Serial No.	Parts catalogue code
			GX 160 UT1	GX 160 UT2	GX 160 UT2X	GX 160 RT1	GX 160 RT2	GX 160 RT2X		
10)	34150-ZDK-003	ALERT UNIT, OIL (CHONGQING LIHUA)	-	1	1	-	1	1	-----	EMAN, EMAN/A, HX2, HX2/A, HX4, HX4/A, LX2, LX2/A, LX4, LX4/A, LXM2, LXM2/A, PXU, PXU/A, QAX4, QAX4/A, QC9, QC9/A, QCM, QCM/A, QGR9, QGR9/A, QMC8, QMC8/A, QMD6, QMD6/A, QMX2, QMX2/A, QWA4, QWA4/A, QX2, QX2/A, QX4, QX4/A, QX9, QX9/A, QXGB, QXU, QXU/A, RX4, RX4/A, SCM, SCM/A, SG24, SG24/A, SMC7, SMC7/A, SMW2, SMW2/A, SMX4, SMX4/A, SMXE, SMXE/A, SSX2, SSX2/A, SWX2, SWX2/A, SX4, SX4/A, SXS4, SXS4/A, SXU, SXU/A, TX2, TX2/A, TX4, TX4/A, TXDU, TXDU/A, UXU, UXU/A, VA2, VA2/A, VES6, VES6/A, VG25, VG25/A, VSD9, VSD9/A, VWS1, VWS1/A, VWWN, VWWN/A, WKS, WKS/A, WKT2, WKT2/A, WMT4, WMT4/A
	34150-ZH7-023	ALERT UNIT, OIL(IIDA).....	-	1	-	-	1	-	-----	EMAN/A, HX2/A, HX4/A, LX2/A, LX4/A, LXM2/A, PXU/A, QAX4/A, QC9, QC9/A, QCM, QCM/A, QGR9/A, QMC8/A, QMD6/A, QMX2/A, QMXC, QWA4/A, QWX2/A, QX2/A, QX4/A, QX9/A, QXGB, QXS2/A, QXU/A, RX4/A, RXU/A, SCM, SCM/A, SG24/A, SMC7/A, SMC9/A, SMW2/A, SMX4/A, SMXC, SMXE/A, SSX2/A, SWX2/A, SX4/A, SX9/A, SXS4/A, SXU/A, TX2/A, TX4/A, TXDU/A, UXU/A, VA2/A, VCG, VCG/A, VES6/A, VG25, VG25/A, VHH4/A, VSD9/A, VWS1, VWS1/A, VWWN/A, VX2/A, VXU1/A, WKS/A, WKT2/A, WMT4/A
	34150-ZH7-013	ALERT UNIT, OIL.....	-	1	-	-	-	-	1403727	HX2, HX4, LX2, LX4, LXM2, PXU, QAX2, QAX4, QGR9, QMC8, QMD6, QMX2, QWA4, QWX2, QX2, QX4, QX9, QXC9, QXM2, QXS2, QXU, RX4, RXU, SG24, SMC7, SMC9, SMW2, SMX4, SMXE, SSX2, SWX2, SX4, SX9, SXS4, SXU, TX2, TX4, TXC9, TXDU, UXU, VA2, VG29, VSD9, VX2, VXU1, WKS, WKT2, WMT4
	34150-ZH7-023	ALERT UNIT, OIL(IIDA).....	-	1	-	-	-	-	1403728	HX2, HX4, LX2, LX4, LXM2, PXU, QAX2, QAX4, QGR9, QMC8, QMD6, QMX2, QWA4, QWX2, QX2, QX4, QX9, QXC9, QXM2, QXS2, QXU, RX4, RXU, SG24, SMC7, SMC9, SMW2, SMX4, SMXE, SSX2, SWX2, SX4, SX9, SXS4, SXU, TX2, TX4, TXC9, TXDU, UXU, VA2, VG29, VSD9, VX2, VXU1, WKS, WKT2, WMT4

E-12

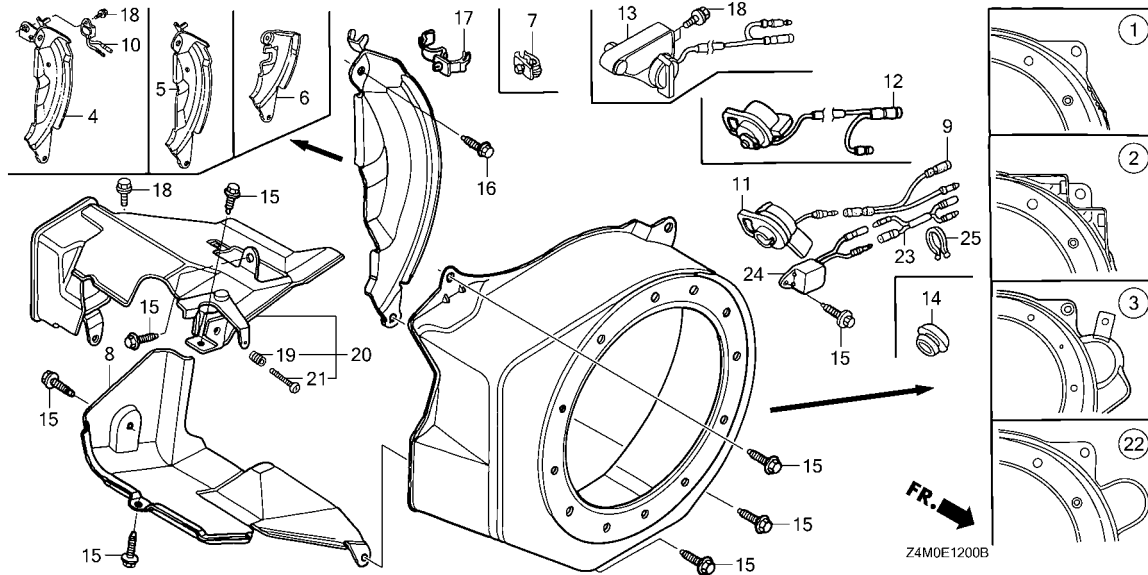
FAN COVER

Ref. No.	Part No.	Description	Reqd. QTY						Serial No.	Parts catalogue code
			GX 160 UT1	GX 160 UT2	GX 160 UT2X	GX 160 RT1	GX 160 RT2	GX 160 RT2X		
10)	34150-ZH7-013	ALERT UNIT, OIL.....	-	-	-	-	1	-----	1423924	EMAN, VES6, VGE4, VGE5, VHH4, VPM5, VS19, VWS, VWWN
	34150-ZH7-023	ALERT UNIT, OIL(IIDA).....	-	-	-	-	1	-----	1423925	EMAN, VES6, VGE4, VGE5, VHH4, VPM5, VS19, VWS, VWWN
11	35120-Z0T-801	SWITCH ASSY., ENGINE STOP.....	1	-	-	1	-	-----	-----	HH26, HHQ4, LHQ4, QA2, QA26, QBM2, QCB2, QH26, QHG4, QHQ4, QHQ4, QMC6, QME4, QM22, RH2, RHG4, RHQ4, RTB2, SD16, SHQ4, SHQU, VGE2 VGE4, WMB0
	35120-Z0T-821	SWITCH ASSY., ENGINE STOP (TOYO DENSO)	-	1	-	-	1	-----	1654685	QBC2
	35120-Z0T-822	SWITCH ASSY., ENGINE STOP (MINDA)	-	1	-	-	1	-----	-----	HH26/A, QA2/A, QBM2/A, QH26/A, QHG4/A, QHQ4/A, QMC6/A, QME4/A, RH2/A, RHG4/A, RHQ4/A, S1CY/A, SD16/A, SHCC, SHCC/A, SHQ4/A, SHRY/A, WMB0/A
	35120-Z0T-801	SWITCH ASSY., ENGINE STOP.....	-	1	-	-	-	-----	-----	HH26/A, QA2/A, QBM2/A, QH26/A, QHG4/A, QHQ4/A, QMC6/A, QME4/A, RH2/A, RHG4/A, RHQ4/A, S1CY/A, SD16/A, SHCC, SHCC/A, SHQ4/A, SHRY/A, WMB0/A
	35120-Z0T-821	SWITCH ASSY., ENGINE STOP (TOYO DENSO)	-	1	-	-	-	-----	2187147	HHQ4, LHQ4
	35120-Z0T-822	SWITCH ASSY., ENGINE STOP (MINDA)	-	1	-	-	-	-----	2188922	QA2, QBM2, QH26, QHQ4, QMC6, QME4, SD16, SHQ4
	35120-Z0T-821	SWITCH ASSY., ENGINE STOP (TOYO DENSO)	-	1	-	-	-	-----	2187148	HH26, RH2, RHQ4, S1CY, SHRY, WMB0
	35120-Z0T-822	SWITCH ASSY., ENGINE STOP (MINDA)	-	1	-	-	-	-----	2187148	QA2, QBM2, QH26, QHQ4, QMC6, QME4, SD16, SHQ4
	35120-Z0T-821	SWITCH ASSY., ENGINE STOP (TOYO DENSO)	-	1	-	-	-	-----	2188923	HH26, RH2, RHQ4, S1CY, SHRY, WMB0
	35120-Z0T-822	SWITCH ASSY., ENGINE STOP (MINDA)	-	1	-	-	-	-----	2188923	HH26, RH2, RHQ4, S1CY, SHRY, WMB0
	35120-Z0T-821	SWITCH ASSY., ENGINE STOP (TOYO DENSO)	-	-	1	-	-	-----	-----	HH26, QA2, QBM2, QH26, QHQ4, QMC6, QME4, RH2, RHQ4, S1CY, SD16 SHCC, SHQ4, SHRY, WMB0
	35120-Z0T-822	SWITCH ASSY., ENGINE STOP (MINDA)	-	-	1	-	-	-----	-----	HH26, QA2, QBM2, QH26, QHQ4, QMC6, QME4, RH2, RHQ4, S1CY, SD16 SHCC, SHQ4, SHRY, WMB0
	35120-Z0T-801	SWITCH ASSY., ENGINE STOP.....	-	-	-	-	1	-----	-----	VGE4
	35120-Z0T-821	SWITCH ASSY., ENGINE STOP (TOYO DENSO)	-	-	-	-	1	-----	2187489	QHG4, RHG4
	35120-Z0T-822	SWITCH ASSY., ENGINE STOP (MINDA)	-	-	-	-	1	-----	2187490	QHG4, RHG4
	35120-Z0T-821	SWITCH ASSY., ENGINE STOP (TOYO DENSO)	-	-	-	-	1	-----	2187490	QHG4, RHG4
	35120-Z0T-822	SWITCH ASSY., ENGINE STOP (MINDA)	-	-	-	-	1	-----	-----	QHG4, RHG4
12	35120-Z0T-851	SWITCH ASSY., ENGINE STOP.....	1	-	-	-	-	-----	-----	HX2, HX4, HXU, LX2, LX26, LX4, LXU, PXU, QAX2, QAX4, QBT6, QCL QGR9, QMC8, QMD6, QNT, QNT4, QW24, QWA4, QWW2, QWX2, QX2, QX26 QX4, QX7, QX9, QXC4, QXC9, QXF2, QXS2, QXU, RX4, RXU, SG22, SG24 SMC7, SMC9, SSS2, SWX2, SX2, SX4, SX7, SX9, SXS, SXS2, SXS4, SXU TCS2, TW24, TX2, TX26, TX4, TXC9, TXDU, TXU, UXU, VA2, VG24 VG29, VHA9, VHH4, VMS4, VPM5, VPM8, VPM9, VPMN, VSD, VSD2, VSD7 VSD9, VWA2, VWW2, VWWN, VX2, VX4, VXU1, VXW2, WKS, WKT2, WKT4 WKT6



E-12

FAN COVER



Ref. No.	Part No.	Description	Reqd. QTY						Serial No.	Parts catalogue code
			GX 160 UT1	GX 160 UT2	GX 160 UT2X	GX 160 RT1	GX 160 RT2	GX 160 RT2X		
12)	35120-Z0T-831	SWITCH ASSY., ENGINE STOP (TOYO DENSO)	-	1	-	-	1	-	EMAN/A, HX2/A, HX4/A, LX2/A, LX4/A, LXM2/A, PXU/A, QAX4/A, QC9, QC9/A, QCM, QCM/A, QGR9/A, QMC8/A, QMD6/A, QMX2/A, QWA4/A, QWX2/A, QX2/A, QX4/A, QX9/A, QXGB, QXS2/A, QXU/A, RX4/A, RXU/A, SCM, SCM/A, SG24/A, SMC7/A, SMC9/A, SMW2/A, SMX4/A, SMXC, SMXE/A, SSX2/A, SWX2/A, SX4/A, SX9/A, SXS4/A, SXU/A, TX2/A, TX4/A, TXDU/A, UXU/A, VA2/A, VCG, VCG/A, VG25, VG25/A, VHH4/A, VSD9/A, VWWN/A, VX2/A, VXU1/A, WKS/A, WKT2/A, WMT4/A	
	35120-Z0T-832	SWITCH ASSY., ENGINE STOP (MINDA)	-	1	-	-	1	-	EMAN/A, HX2/A, HX4/A, LX2/A, LX4/A, LXM2/A, PXU/A, QAX4/A, QC9, QC9/A, QCM, QCM/A, QGR9/A, QMC8/A, QMD6/A, QMX2/A, QWA4/A, QWX2/A, QX2/A, QX4/A, QX9/A, QXGB, QXS2/A, QXU/A, RX4/A, RXU/A, SCM, SCM/A, SG24/A, SMC7/A, SMC9/A, SMW2/A, SMX4/A, SMXC, SMXE/A, SSX2/A, SWX2/A, SX4/A, SX9/A, SXS4/A, SXU/A, TX2/A, TX4/A, TXDU/A, UXU/A, VA2/A, VCG, VCG/A, VG25, VG25/A, VHH4/A, VSD9/A, VWWN/A, VX2/A, VXU1/A, WKS/A, WKT2/A, WMT4/A	
	35120-Z0T-851	SWITCH ASSY., ENGINE STOP.....	-	1	-	-	-	-	TXC9	
			-	1	-	-	-	2185899	HX2, HX4, QAX2, QAX4, QMX2, QMXC, QXC9, RX4, RXU, SMW2, SSX2, UXU, VG29, WMT4	
			-	1	-	-	-	2186079	LX2, LX4, LXM2, PXU, QGR9, QMC8, QMD6, QWA4, QWX2, QX2, QX4, QX9, QXM2, QXS2, QXU, SG24, SMC7, SMC9, SMX4, SMXE, SWX2, SX4, SX9, SXS4, SXU, TX2, TX4, TXDU, VA2, VSD9, VX2, VXU1, WKS, WKT2	
	35120-Z0T-831	SWITCH ASSY., ENGINE STOP (TOYO DENSO)	-	1	-	-	-	2185900	HX2, HX4, QAX2, QAX4, QMX2, QMXC, QXC9, RX4, RXU, SMW2, SSX2, UXU, VG29, WMT4	

E-12

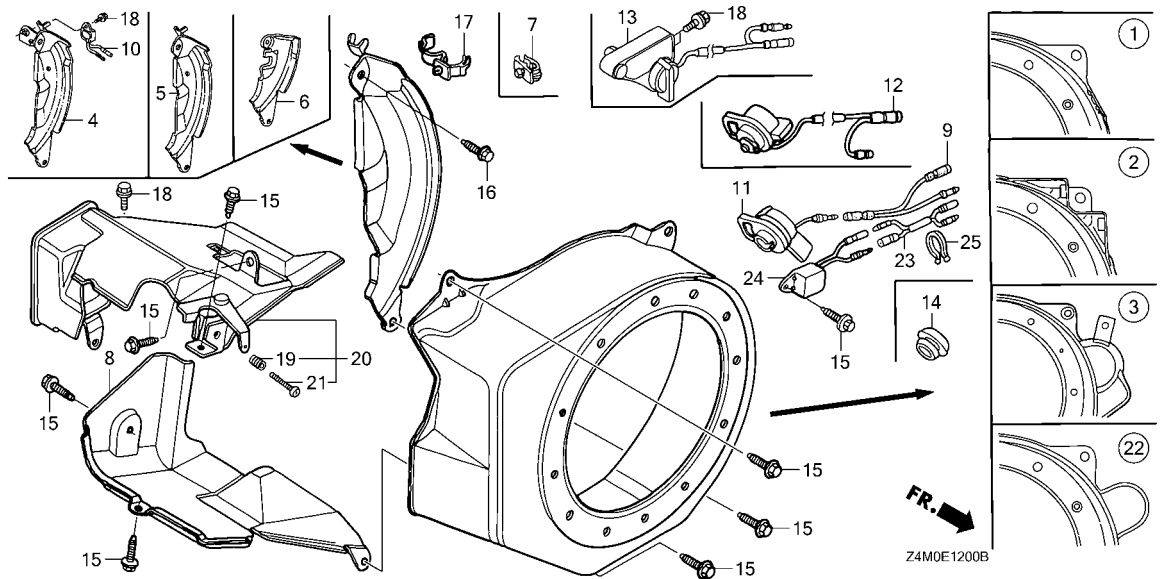
FAN COVER

Ref. No.	Part No.	Description	Reqd. QTY						Serial No.	Parts catalogue code
			GX 160 UT1	GX 160 UT2	GX 160 UT2X	GX 160 RT1	GX 160 RT2	GX 160 RT2X		
12)	35120-Z0T-832	SWITCH ASSY., ENGINE STOP (MINDA)	-	1	-	-	-	-	2185900 -----	HX2, HX4, QAX2, QAX4, QMX2, QMxC, QXC9, RX4, RXU, SMM2, SSX2 UXU, VG29, WMT4
	35120-Z0T-831	SWITCH ASSY., ENGINE STOP (TOYO DENSO)	-	1	-	-	-	-	2186080 -----	LX2, LX4, LXM2, PXU, QGR9, QMC8, QMD6, QWA4, QWX2, QX2, QX4, QX9 QXM2, QXS2, QXU, SG24, SMC7, SMC9, SMX4, SMXE, SWX2, SX4, SX9 SXS4, SXU, TX2, TX4, TXDU, VA2, VSD9, VX2, VXU1, WKS, WKT2
	35120-Z0T-832	SWITCH ASSY., ENGINE STOP (MINDA)	-	1	-	-	-	-	2186080 -----	LX2, LX4, LXM2, PXU, QGR9, QMC8, QMD6, QWA4, QWX2, QX2, QX4, QX9 QXM2, QXS2, QXU, SG24, SMC7, SMC9, SMX4, SMXE, SWX2, SX4, SX9 SXS4, SXU, TX2, TX4, TXDU, VA2, VSD9, VX2, VXU1, WKS, WKT2
	35120-Z0T-831	SWITCH ASSY., ENGINE STOP (TOYO DENSO)	-	-	1	-	-	-	-----	HX2, HX4, LX2, LX4, LXM2, PXU, QAX4, QC9, QCM, QGR9, QMC8, QMD6 QMX2, QWA4, QX2, QX4, QX9, QXGB, QXU, RX4, SCM, SG24, SMC7, SMM2 SMX4, SMXE, SSX2, SWX2, SX4, SXS4, SXU, TX2, TX4, TXDU, UXU, VA2 VG25, VSD9, WKS, WKT2, WMT4
	35120-Z0T-832	SWITCH ASSY., ENGINE STOP (MINDA)	-	-	1	-	-	-	-----	HX2, HX4, LX2, LX4, LXM2, PXU, QAX4, QC9, QCM, QGR9, QMC8, QMD6 QMX2, QWA4, QX2, QX4, QX9, QXGB, QXU, RX4, SCM, SG24, SMC7, SMM2 SMX4, SMXE, SSX2, SWX2, SX4, SXS4, SXU, TX2, TX4, TXDU, UXU, VA2 VG25, VSD9, WKS, WKT2, WMT4
	35120-Z0T-851	SWITCH ASSY., ENGINE STOP	-	-	-	-	1	-	-----	2187635 EMAN, VHH4, VPM5, VWWN
	35120-Z0T-831	SWITCH ASSY., ENGINE STOP (TOYO DENSO)	-	-	-	-	1	-	-----	2187636 EMAN, VHH4, VPM5, VWWN
	35120-Z0T-832	SWITCH ASSY., ENGINE STOP (MINDA)	-	-	-	-	1	-	-----	2187636 EMAN, VHH4, VPM5, VWWN
	35120-Z0T-831	SWITCH ASSY., ENGINE STOP (TOYO DENSO)	-	-	-	-	-	1	-----	EMAN, VWWN
	35120-Z0T-832	SWITCH ASSY., ENGINE STOP (MINDA)	-	-	-	-	-	1	-----	EMAN, VWWN
13	36100-ZH8-W82	SWITCH ASSY., ENGINE STOP (SDMO)	1	-	-	-	-	-	-----	VS17, VS19, VSD1
	36100-ZH8-W83	-	-	-	-	-	1	-----	VS19
14	81329-567-020	GROMMET, DRAIN HOLE	1	-	-	-	-	1	-----	QMP4, QPU, VES6, VES6/A, VGE2, VGE4, VGE5, VPM4, VPR4, VPR9 VWS, VWS1, VWS1/A
			1	-	-	-	-	-	-----	1654686 QBC2
			-	1	-	-	-	-	-----	LHN4, LHN4/A, QBC2, QMP4, QPU



E-12

FAN COVER



Ref. No.	Part No.	Description	Reqd. QTY						Serial No.	Parts catalogue code
			GX	GX	GX	GX	GX	GX		
15	90013-883-000	BOLT, FLANGE, 6X12(CT200).....	6	-	-	-	-	-	-----	HH26, HHQ4, HX2, HX4, HXE8, HXU, LHQ4, LX2, LX26, LX4, LXU, PXU QA2, QA26, QAX2, QAX4, QBC2, QBM2, QBT6, QCB2, QCL, QGR9, QH26 QH4, QHQ4, QHQ4, QKA4, QMC6, QMC8, QMD6, QME4, QMP4, QMZ2, QNT QNT4, QPU, QW24, QWA4, QWW2, QWX2, QX2, QX26, QX4, QX7, QX9 QXC4, QXC9, QXE2, QXE4, QXE5, QXE8, QXF2, QXP2, QXS2, QXU, QXW QXWE, RH2, RHQ4, RTB2, RX4, RXE2, RXP2, RXU, SD16, SG22, SG24 SHQ4, SHQU, SMC7, SMC9, SSX2, SWX2, SX2, SX4, SX7, SX9, SXE4 SXE5, SXS, SXS2, SXS4, SXU, TCS2, TW24, TX2, TX26, TX4, TXC9 TXDU, TXU, UXU, VA2, VG24, VG29, VGE2, VGE4, VGE5, VHA9, VHH4 VMS4, VPM4, VPM5, VPM8, VPM9, VPMN, VPR4, VPR9, VS17, VS19, VSD VSD1, VSD2, VSD7, VSD9, VWA2, VX2, VX4, VXE9, VXU1, VXW2, WKS WKT2, WKT4, WKT6, WMB0

E-12

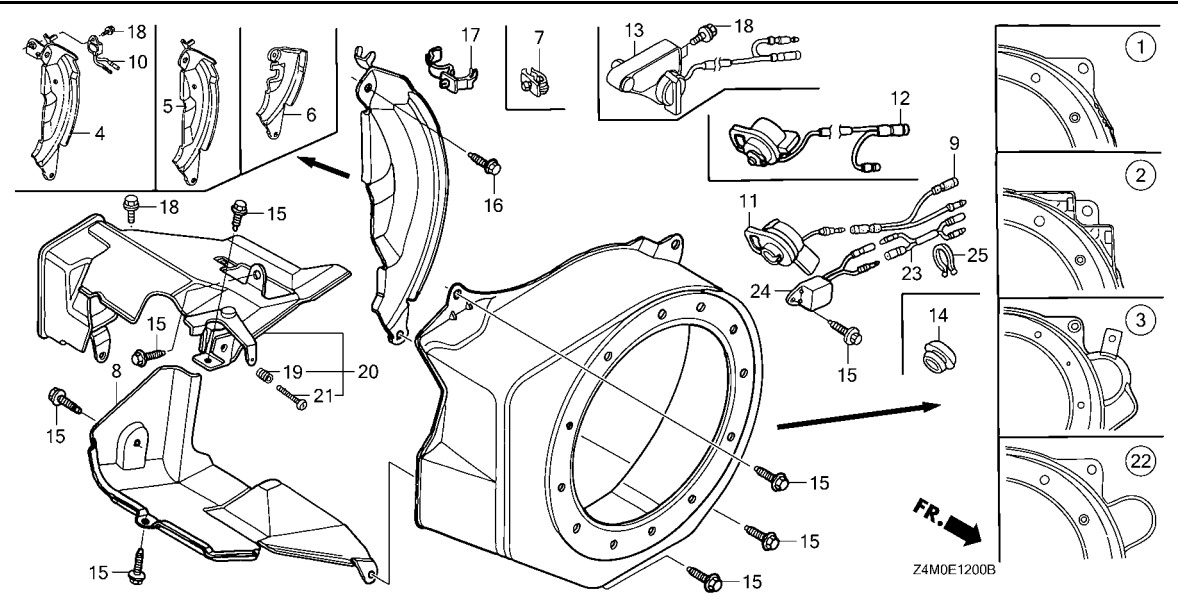
FAN COVER

Ref. No.	Part No.	Description	Reqd. QTY						Serial No.	Parts catalogue code
			GX 160 UT1	GX 160 UT2	GX 160 UT2X	GX 160 RT1	GX 160 RT2	GX 160 RT2X		
15)	90013-883-000	BOLT, FLANGE, 6X12(CT200).....	8	-	-	-	-	-	VWW2, VWWN	
			-	6	6	6	6	6	HH26, HH26/A, HHQ4, HX2, HX2/A, HX4, HX4/A, HXE8, HXE8/A, LHN4 LHN4/A, LHQ4, LX2, LX2/A, LX4, LX4/A, LXM2, LXM2/A, PXU, PXU/A QA2, QA2/A, QAX2, QAX4, QAX4/A, QBC2, QBM2, QBM2/A, QC9, QC9/A QCM, QCM/A, QGR9, QGR9/A, QH26, QH26/A, QHG4, QHG4/A, QHQ4 QHQ4/A, QMC6, QMC6/A, QMC8, QMC8/A, QMD6, QMD6/A, QME4 QME4/A, QMP4, QMX2, QMX2/A, QMXC, QPU, QWA4, QWA4/A, QWX2 QWX2/A, QX2, QX2/A, QX4, QX4/A, QX9, QX9/A, QXC9, QXE2, QXE2/A QXE5, QXE5/A, QXE8, QXEB, QXGB, QXM2, QXS2, QXS2/A, QXU, QXU/A QXWE, QXWE/A, RH2, RH2/A, RHG4, RHG4/A, RHQ4, RHQ4/A, RX4 RX4/A, RXE2, RXE2/A, RXU, RXU/A, S1CY, S1CY/A, SCM, SCM/A SD16, SD16/A, SG24, SG24/A, SHCC, SHCC/A, SHQ4, SHQ4/A, SHRY SHRY/A, SMC7, SMC7/A, SMC9, SMC9/A, SMW2, SMW2/A, SMX4 SMX4/A, SMXC, SMXE, SMXE/A, SSSX2, SSSX2/A, SWG4, SWG4/A, SWX2 SWX2/A, SX4, SX4/A, SX9, SX9/A, SXE5, SXE5/A, SXS4, SXS4/A SXU, SXU/A, TX2, TX2/A, TX4, TX4/A, TXC9, TXDU, TXDU/A, UXU UXU/A, VA2, VA2/A, VCG, VCG/A, VG25, VG25/A, VG29, VGE4, VGE5 VHH4, VHH4/A, VPM5, VS19, VSD9, VSD9/A, VX2, VX2/A, VXE9 VXE9/A, VXU1, VXU1/A, WKS, WKS/A, WKT2, WKT2/A, WMB0, WMB0/A WMT4, WMT4/A	
			-	-	-	-	8	8	EMAN, EMAN/A, VES6, VES6/A, VWS, VWS1, VWS1/A, VWWN, VWWN/A	
16	90022-888-010	BOLT, FLANGE, 6X20(CT200).....	1	1	1	1	1	1	EMAN, EMAN/A, HH26, HH26/A, HHQ4, HX2, HX2/A, HX4, HX4/A, HXU LHN4, LHN4/A, LHQ4, LX2, LX2/A, LX26, LX4, LX4/A, LXM2, LXM2/A LXU, PXU, PXU/A, QA2, QA2/A, QA26, QAX2, QAX4, QAX4/A, QBC2 QBM2, QBM2/A, QBT6, QC9, QC9/A, QCB2, QCL, QCM, QCM/A, QGR9 QGR9/A, QH26, QH26/A, QHG4, QHG4/A, QHQ4, QHQ4/A, QHQ4, QMC6 QMC6/A, QMC8, QMC8/A, QMD6, QMD6/A, QME4, QME4/A, QMP4, QMX2 QMX2/A, QMXC, QMZ2, QNT, QNT4, QPU, QW24, QWA4, QWA4/A, QWW2 QWX2, QWX2/A, QX2, QX2/A, QX26, QX4, QX4/A, QX7, QX9, QX9/A QXC4, QXC9, QXF2, QXGB, QXM2, QXS2, QXS2/A, QXU, QXU/A, RH2 RH2/A, RHG4, RHG4/A, RHQ4, RHQ4/A, RTB2, RX4, RX4/A, RXU RXU/A, S1CY, S1CY/A, SCM, SCM/A, SD16, SD16/A, SG22, SG24 SG24/A, SHCC, SHCC/A, SHQ4, SHQ4/A, SHQU, SHRY, SHRY/A, SMC7 SMC7/A, SMC9, SMC9/A, SMW2, SMW2/A, SMX4, SMX4/A, SMXC, SMXE SMXE/A, SSSX2, SSSX2/A, SWX2, SWX2/A, SX2, SX4, SX4/A, SX7, SX9 SX9/A, SXS, SXS2, SXS4, SXS4/A, SXU, SXU/A, TCS2, TW24, TX2 TX2/A, TX26, TX4, TX4/A, TXC9, TXDU, TXDU/A, TXU, UXU, UXU/A VA2, VA2/A, VCG, VCG/A, VES6, VES6/A, VG24, VG25, VG25/A, VG29 VGE2, VGE4, VGE5, VHA9, VHH4, VHH4/A, VMS4, VPM4, VPM5, VPM8 VPM9, VPMN, VPR4, VPR9, VS17, VS19, VSD, VSD1, VSD2, VSD7, VSD9 VSD9/A, VWA2, VWS, VWS1, VWS1/A, VWW2, VWWN, VWWN/A, VX2 VX2/A, VX4, VXU1, VXU1/A, VXW2, WKS, WKS/A, WKT2, WKT2/A, WKT4 WKT6, WMB0, WMB0/A, WMT4, WMT4/A	



E-12

FAN COVER



Z4MOE1200B

Ref. No.	Part No.	Description	Reqd. QTY						Serial No.	Parts catalogue code
			GX 160 UT1	GX 160 UT2	GX 160 UT2X	GX 160 RT1	GX 160 RT2	GX 160 RT2X		
17	90601-ZH7-013	CLIP, HARNESS	1	1	1	-	1	1	-----	EMAN, EMAN/A, HX2, HX2/A, HX4, HX4/A, HXU, LX2, LX2/A, LX26 LX4, LX4/A, LXM2, LXM2/A, LXU, PXU, PXU/A, QAX2, QAX4, QAX4/A QBT6, QC9, QC9/A, QCL, QCM, QCM/A, QGR9, QGR9/A, QMC8, QMC8/A QMD6, QMD6/A, QMX2, QMX2/A, QMXC, QNT, QNT4, QW24, QWA4 QWA4/A, QWW2, QWX2, QWX2/A, QX2, QX2/A, QX26, QX4, QX4/A, QX7 QX9, QX9/A, QXC4, QXC9, QXF2, QXGB, QXM2, QXS2, QXS2/A, QXU QXU/A, RX4, RX4/A, RXU, RXU/A, SCM, SCM/A, SG22, SG24, SG24/A SMC7, SMC7/A, SMC9, SMC9/A, SMW2, SMW2/A, SMX4, SMX4/A, SMXC SMXE, SMXE/A, SSX2, SSX2/A, SWX2, SWX2/A, SX2, SX4, SX4/A, SX7 SX9, SX9/A, SXS, SXS2, SXS4, SXS4/A, SXU, SXU/A, TCS2, TW24 TX2, TX2/A, TX26, TX4, TX4/A, TXC9, TXDU, TXDU/A, TXU, UXU UXU/A, VA2, VA2/A, VCG, VCG/A, VG24, VG25, VG25/A, VG29, VHA9 VHH4, VHH4/A, VMS4, VPM5, VPM8, VPM9, VPMN, VS17, VS19, VSD VSD1, VSD2, VSD7, VSD9, VSD9/A, VWA2, VWW2, VWWN, VWWN/A, VX2 VX2/A, VX4, VXU1, VXU1/A, VXW2, WKS, WKS/A, WKT2, WKT2/A, WKT4 WKT6, WMT4, WMT4/A



E-12

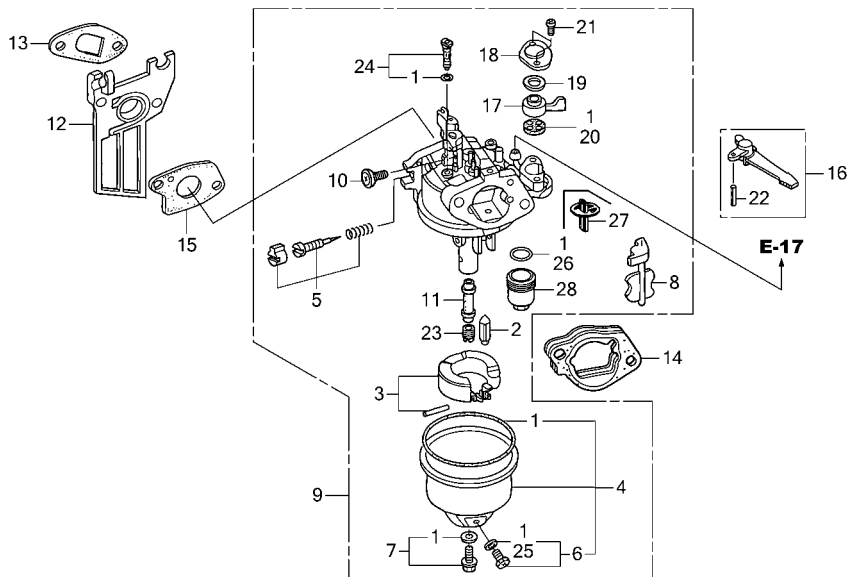
FAN COVER

Ref. No.	Part No.	Description	Reqd. QTY						Serial No.	Parts catalogue code
			GX 160 UT1	GX 160 UT2	GX 160 UT2X	GX 160 RT1	GX 160 RT2	GX 160 RT2X		
18	95701-06008-00	BOLT, FLANGE, 6X8	3	-	-	-	3	-	-----	VS17, VS19, VSD1
			1	-	-	-	-	-	-----	HX2, HX4, HXU, LX2, LX26, LX4, LXU, PXU, QAX2, QAX4, QBT6, QCL QGR9, QMC8, QMD6, QNT, QNT4, QW24, QWA4, QWW2, QWX2, QX2, QX26 QX4, QX7, QX9, QXC4, QXC9, QXF2, QXS2, QXU, RX4, RXU, SG22, SG24 SMC7, SMC9, SSSX2, SWX2, SX2, SX4, SX7, SX9, SXS, SXS2, SXS4, SXU TCS2, TW24, TX2, TX26, TX4, TXC9, TXDU, TXU, UXU, VA2, VG24 VG29, VGE2, VGE4, VGE5, VHA9, VHH4, VMS4, VPM4, VPM5, VPM8 VPM9, VPMN, VPR4, VPR9, VSD, VSD2, VSD7, VSD9, VWA2, VX2, VX4 VXU1, VXW2, WKS, WKT2, WKT4, WKT6
			2	-	-	-	-	-	-----	VWV2, VWVN
			-	1	1	-	1	-	-----	HX2, HX2/A, HX4, HX4/A, LX2, LX2/A, LX4, LX4/A, LXM2, LXM2/A PXU, PXU/A, QAX2, QAX4, QAX4/A, QC9, QC9/A, QCM, QCM/A, QGR9 QGR9/A, QMC8, QMC8/A, QMD6, QMD6/A, QMX2, QMX2/A, QMXC, QWA4 QWA4/A, QWX2, QWX2/A, QX2, QX2/A, QX4, QX4/A, QX9, QX9/A, QXC9 QXGB, QXM2, QXS2, QXS2/A, QXU, QXU/A, RX4, RX4/A, RXU, RXU/A SCM, SCM/A, SG24, SG24/A, SMC7, SMC7/A, SMC9, SMC9/A, SMW2 SMW2/A, SMX4, SMX4/A, SMXC, SMXE, SMXE/A, SSSX2, SSSX2/A, SWX2 SWX2/A, SX4, SX4/A, SX9, SX9/A, SXS4, SXS4/A, SXU, SXU/A, TX2 TX2/A, TX4, TX4/A, TXC9, TXDU, TXDU/A, UXU, UXU/A, VA2, VA2/A VCG, VCG/A, VG25, VG25/A, VG29, VGE4, VGE5, VHH4, VHH4/A, VPM5 VSD9, VSD9/A, VX2, VX2/A, VXU1, VXU1/A, WKS, WKS/A, WKT2 WKT2/A, WMT4, WMT4/A
			-	-	-	-	2	-	-----	EMAN, EMAN/A, VES6, VES6/A, VWS, VWS1, VWS1/A, VWVN, VWVN/A
			-	-	-	-	2	-	-----	EMAN, VES6, VWS1, VWVN
19	16584-883-300	SPRING, CONTROL ADJUSTING	1	-	-	-	1	1	-----	EMAN, EMAN/A, VES6, VES6/A, VWS, VWS1, VWS1/A, VWV2, VWVN VWVN/A
20	19640-ZB2-010	SHROUD ASSY., UPPER	1	-	-	-	1	1	-----	EMAN, EMAN/A, VES6, VES6/A, VWS, VWS1, VWS1/A, VWV2, VWVN VWVN/A
21	93500-05035-0A	SCREW, PAN, 5X35	1	-	-	-	1	1	-----	EMAN, EMAN/A, VES6, VES6/A, VWS, VWS1, VWS1/A, VWV2, VWVN VWVN/A
22	19610-ZE1-821ZG	COVER COMP., FAN (STARTER MOTOR)	-	-	-	-	-	-	-----	SWG4
	19610-Z4M-820ZB	*R280*.....POWER RED	-	-	-	1	-	-	-----	SWG4, SWG4/A
	32105-ZH8-V10	*R280*.....POWER RED	-	-	-	1	-	-	-----	SWG4, SWG4/A
23	34150-ZH7-013	CABLE, DOUBLE CONNECTOR	-	-	-	1	1	-	-----	SWG4
24	34150-ZH7-013	ALERT UNIT, OIL	-	-	-	1	1	-	-----	SWG4
	34150-ZH7-023	ALERT UNIT, OIL(IIDA)	-	-	-	1	-	-	-----	SWG4/A
			-	-	-	1	-	1423925	-----	SWG4
25	90630-751-000	CLIP, PURSE LOCK	-	-	-	1	1	-	-----	SWG4, SWG4/A



E-14

CARBURETOR(1)



Ref. No.	L.O.N.	(Relative ref. Number) Description	F.R.T.
1	3111B1	GASKET SET, CARBURETOR	0.3
2	3111E1	FLOAT VALVE SET AND/OR FLOAT SET	0.3
4	3111A3	FLOAT CHAMBER SET AND/OR GASKET	0.2
5	3111D7	SCREW SET, PILOT	0.2
8	8101C5	CHOKE SET, CARBURETOR	0.2
9	3111F3	CARBURETOR	0.2
12	3111C0	CARBURETOR INSULATOR AND/OR PACKING	0.2
14	3111D9	SPACER, CARBURETOR	0.2
15	3111C8	PACKING, CARBURETOR	0.2
16	8101F9	LEVER, CARBURETOR CHOKE	0.2
20	3101C5	PACKING, FUEL COCK	0.2
23	3111C3	JET, MAIN	0.3
26	3101L6	PACKING, FUEL STRAINER CUP ...	0.2

Ref. No.	Part No.	Description	Reqd. QTY						Serial No.	Parts catalogue code
			GX 160 UT1	GX 160 UT2	GX 160 UT2X	GX 160 RT1	GX 160 RT2	GX 160 RT2X		
1	16010-ZE0-025	GASKET SET	1	1	1	-	-	-	QMC6, QMC6/A, SD16, SD16/A, VG24, WKS, WKS/A, WMB0, WMB0/A, WMT4, WMT4/A	
	16010-ZE1-812	-	1	1	-	-	-	QC9, QC9/A, QCM, QCM/A, SCM, SCM/A, VCG, VCG/A	
2	16011-ZE0-005	VALVE SET, FLOAT	1	1	1	-	-	-	QC9, QC9/A, QCM, QCM/A, QMC6, QMC6/A, SCM, SCM/A, SD16, SD16/A, VCG, VCG/A, VG24, WKS, WKS/A, WMB0, WMB0/A, WMT4, WMT4/A	
3	16013-Z0S-B01	FLOAT SET	1	1	1	-	-	-	QC9, QC9/A, QCM, QCM/A, QMC6, QMC6/A, SCM, SCM/A, SD16, SD16/A, VCG, VCG/A, WKS, WKS/A, WMB0, WMB0/A, WMT4, WMT4/A	
	16013-ZE0-005	1	-	-	-	-	-	VG24	
4	16015-ZE0-831	CHAMBER SET, FLOAT	1	-	-	-	-	-	QMC6, SD16, VG24, WKS, WMB0	
	16015-Z4M-911	-	1	1	-	-	-	QC9, QC9/A, QCM, QCM/A, QMC6, QMC6/A, SCM, SCM/A, SD16, SD16/A, VCG, VCG/A, WKS, WKS/A, WMB0, WMB0/A, WMT4, WMT4/A	
5	16016-ZH7-W01	SCREW SET, PILOT	1	-	-	-	-	-	QMC6, SD16, VG24, WKS, WMB0	
	16016-ZH8-W01	SCREW SET	-	1	-	-	-	-	QC9/A, QCM/A, SCM/A, VCG/A	
	16016-ZDF-V01	-	1	-	-	-	-	QMC6/A, SD16/A, WKS/A, WMB0/A, WMT4/A	
	16016-ZH7-W01	SCREW SET, PILOT (CARBURETOR NO.)	-	1	-	-	-	-	BE66U A QMC6, SD16, WKS, WMB0, WMT4	
		-	1	-	-	-	-	BEA4Z A QC9, QCM, SCM, VCG	
	16016-ZDF-V01	SCREW SET (CARBURETOR NO.)	-	1	-	-	-	-	BE61V A QMC6, SD16, WKS, WMB0, WMT4	
	16016-ZH8-W01	-	1	-	-	-	-	BE99N A QC9, QCM, SCM, VCG	
		-	-	1	-	-	-	QC9, QCM, SCM	
	16016-ZDF-V01	-	-	1	-	-	-	QMC6, SD16, WKS, WMB0, WMT4	
6	16024-ZE1-811	SCREW SET, DRAIN	1	-	-	-	-	-	QMC6, SD16, VG24, WKS, WMB0	
	16024-Z5T-901	-	1	1	-	-	-	QC9, QC9/A, QCM, QCM/A, QMC6, QMC6/A, SCM, SCM/A, SD16, SD16/A, VCG, VCG/A, WKS, WKS/A, WMB0, WMB0/A, WMT4, WMT4/A	
7	16028-ZE0-005	SCREW SET	1	-	-	-	-	-	QMC6, SD16, VG24, WKS, WMB0	

E-14

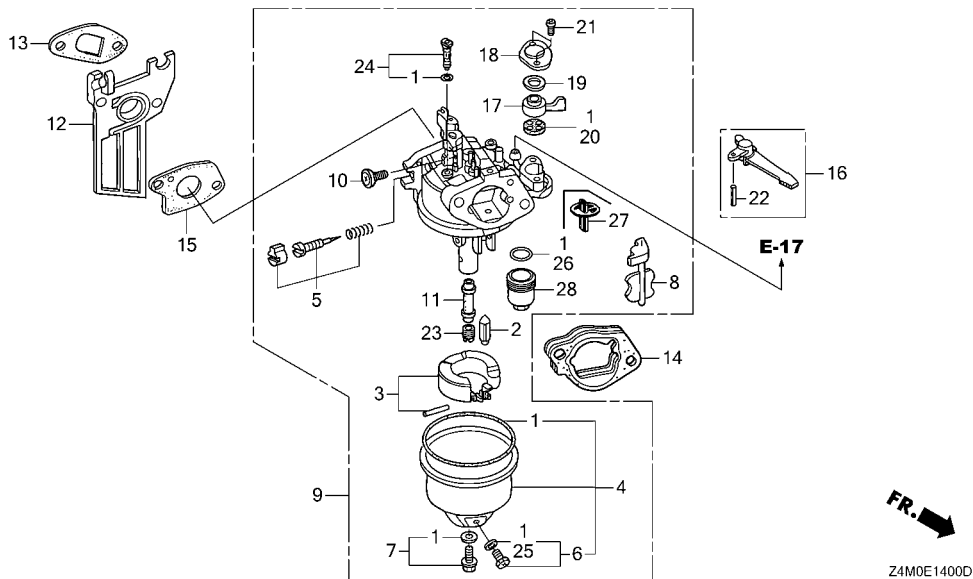
CARBURETOR(1)

Ref. No.	Part No.	Description	Reqd. QTY						Serial No.	Parts catalogue code
			GX 160 UT1	GX 160 UT2	GX 160 UT2X	GX 160 RT1	GX 160 RT2	GX 160 RT2X		
(7)	16028-Z5T-901	SCREW SET	-	1	1	-	-	-	-----	QC9, QC9/A, QCM, QCM/A, QMC6, QMC6/A, SCM, SCM/A, SD16, SD16/A, VCG, VCG/A, WKS, WKS/A, WMB0, WMB0/A, WMT4, WMT4/A
8	16044-ZE0-005	CHOKE SET	1	-	-	-	-	-	-----	QMC6, SD16, VG24, WKS, WMB0
	16044-Z4M-911 (CARBURETOR NO.)	-	1	-	-	-	-	-----	QC9/A, QCM/A, QMC6/A, SCM/A, SD16/A, VCG/A, WKS/A, WMB0/A, WMT4/A
	16044-ZE0-005 (CARBURETOR NO.)	-	1	-	-	-	-	-----	BE66U A QMC6, SD16, WKS, WMB0, WMT4
	 (CARBURETOR NO.)	-	1	-	-	-	-	-----	BEA4Z A QC9, QCM, SCM, VCG
	 (CARBURETOR NO.)	-	1	-	-	-	-	-----	BE61V A QMC6, SD16, WKS, WMB0, WMT4
	 (CARBURETOR NO.)	-	1	-	-	-	-	-----	BE99N A QC9, QCM, SCM, VCG
9	16100-Z0T-931	CARBURETOR ASSY.(BE66H A)	1	-	-	-	-	-	-----	QC9, QCM, QMC6, SCM, SD16, WKS, WMB0, WMT4
	16100-ZH8-W41	CARBURETOR ASSY.(BE66D B)	1	-	-	-	-	-	-----	QMC6, SD16, WKS, WMB0
	16100-Z4M-WA1	CARBURETOR ASSY.(BE99N A)	-	1	-	-	-	-	-----	VG24
	16100-Z4M-WB1	CARBURETOR ASSY.(BE61V A)	-	1	-	-	-	-	-----	QC9/A, QCM/A, SCM/A, VCG/A
	16100-Z4M-781	CARBURETOR ASSY.(BEA4Z A)	-	1	-	-	-	-	-----	QMC6/A, SD16/A, WKS/A, WMB0/A, WMT4/A
	16100-Z4M-932	CARBURETOR ASSY.(BE66U A)	-	1	-	-	-	-	-----	2962215 QC9, QCM, SCM, VCG
		-	1	-	-	-	-	-----	2968494 WMB0, WMT4
		-	1	-	-	-	-	-----	2969322 QMC6, SD16, WKS
	16100-Z4M-WA1	CARBURETOR ASSY.(BE99N A)	-	1	-	-	-	-	-----	2962216 QC9, QCM, SCM, VCG
	16100-Z4M-WB1	CARBURETOR ASSY.(BE61V A)	-	1	-	-	-	-	-----	2968495 WMB0, WMT4
		-	1	-	-	-	-	-----	2969323 QMC6, SD16, WKS
		-	1	-	-	-	-	-----	QC9, QCM, SCM
		-	1	-	-	-	-	-----	QMC6, SD16, WKS, WMB0, WMT4
10	16124-ZE0-005	SCREW, THROTTLE STOP	1	1	1	-	-	-	-----	QC9, QC9/A, QCM, QCM/A, QMC6, QMC6/A, SCM, SCM/A, SD16, SD16/A, VCG, VCG/A, VG24, WKS, WKS/A, WMB0, WMB0/A, WMT4, WMT4/A
11	16166-ZH8-W60	NOZZLE, MAIN	1	-	-	-	-	-	-----	QMC6, SD16, WKS, WMB0
	16166-ZH8-W50	1	-	-	-	-	-	-----	VG24
	16166-Z4M-WA1	-	1	-	-	-	-	-----	QC9/A, QCM/A, SCM/A, VCG/A
	16166-Z4M-WC1	-	1	-	-	-	-	-----	QMC6/A, SD16/A, WKS/A, WMB0/A, WMT4/A
	16166-Z4M-922	-	1	-	-	-	-	-----	BE66U A QMC6, SD16, WKS, WMB0, WMT4
	16166-Z4M-781 (CARBURETOR NO.)	-	1	-	-	-	-	-----	BEA4Z A QC9, QCM, SCM, VCG
	16166-Z4M-WC1 (CARBURETOR NO.)	-	1	-	-	-	-	-----	BE61V A QMC6, SD16, WKS, WMB0, WMT4
	16166-Z4M-WA1 (CARBURETOR NO.)	-	1	-	-	-	-	-----	BE99N A QC9, QCM, SCM, VCG
		-	1	-	-	-	-	-----	QC9, QCM, SCM
	16166-Z4M-WC1	-	1	-	-	-	-	-----	QMC6, SD16, WKS, WMB0, WMT4
12	16211-ZE1-000	INSULATOR, CARBURETOR	1	-	-	-	-	-	-----	QMC6, SD16, VG24, WKS, WMB0
	16211-Z4M-000	-	1	-	-	-	-	-----	QC9, QCM, QMC6, SCM, SD16, VCG, WKS, WMB0, WMT4
	16211-Z4M-900	-	1	-	-	-	-	-----	QC9/A, QCM/A, QMC6/A, SCM/A, SD16/A, VCG/A, WKS/A, WMB0/A, WMT4/A
		-	1	-	-	-	-	-----	QC9, QCM, QMC6, SCM, SD16, WKS, WMB0, WMT4
13	16212-ZH8-800	PACKING, INSULATOR	1	1	1	-	-	-	-----	QC9, QC9/A, QCM, QCM/A, QMC6, QMC6/A, SCM, SCM/A, SD16, SD16/A, VCG, VCG/A, VG24, WKS, WKS/A, WMB0, WMB0/A, WMT4, WMT4/A
14	16220-ZE1-020	SPACER COMP., CARBURETOR	1	1	1	-	-	-	-----	QC9, QC9/A, QCM, QCM/A, QMC6, QMC6/A, SCM, SCM/A, SD16, SD16/A, VCG, VCG/A, VG24, WKS, WKS/A, WMB0, WMB0/A, WMT4, WMT4/A
15	16221-ZH8-801	PACKING, CARBURETOR	1	1	1	-	-	-	-----	QC9, QC9/A, QCM, QCM/A, QMC6, QMC6/A, SCM, SCM/A, SD16, SD16/A, VCG, VCG/A, VG24, WKS, WKS/A, WMB0, WMB0/A, WMT4, WMT4/A
16	16610-ZE1-000	LEVER COMP., CHOKE(STD.)	1	1	1	-	-	-	-----	QC9, QC9/A, QCM, QCM/A, QMC6, QMC6/A, SCM, SCM/A, SD16, SD16/A, VCG, VCG/A, VG24, WKS, WKS/A, WMB0, WMB0/A, WMT4, WMT4/A
17	16953-ZE1-812	LEVER, COCK	1	1	1	-	-	-	-----	QC9, QC9/A, QCM, QCM/A, QMC6, QMC6/A, SCM, SCM/A, SD16, SD16/A, VCG, VCG/A, VG24, WKS, WKS/A, WMB0, WMB0/A, WMT4, WMT4/A



E-14

CARBURETOR(1)



Ref. No.	Part No.	Description	Reqd. QTY						Serial No.	Parts catalogue code
			GX 160 UT1	GX 160 UT2	GX 160 UT2X	GX 160 RT1	GX 160 RT2	GX 160 RT2X		
18	16954-ZE1-812	PLATE, LEVER SETTING.....	1	1	1	-	-	-	-----	QC9, QC9/A, QCM, QCM/A, QMC6, QMC6/A, SCM, SCM/A, SD16, SD16/A, VCG, VCG/A, VG24, WKS, WKS/A, WMB0, WMB0/A, WMT4, WMT4/A
19	16956-ZE1-811	SPRING, COCK LEVER.....	1	1	1	-	-	-	-----	QC9, QC9/A, QCM, QCM/A, QMC6, QMC6/A, SCM, SCM/A, SD16, SD16/A, VCG, VCG/A, VG24, WKS, WKS/A, WMB0, WMB0/A, WMT4, WMT4/A
20	16957-ZE1-812	PACKING, FUEL COCK.....	1	1	1	-	-	-	-----	QC9, QC9/A, QCM, QCM/A, QMC6, QMC6/A, SCM, SCM/A, SD16, SD16/A, VCG, VCG/A, VG24, WKS, WKS/A, WMB0, WMB0/A, WMT4, WMT4/A
21	93500-03006-1H	SCREW, PAN, 3X6.....	2	2	2	-	-	-	-----	QC9, QC9/A, QCM, QCM/A, QMC6, QMC6/A, SCM, SCM/A, SD16, SD16/A, VCG, VCG/A, VG24, WKS, WKS/A, WMB0, WMB0/A, WMT4, WMT4/A
22	94305-20122	PIN, SPRING, 2X12.....	1	1	1	-	-	-	-----	QC9, QC9/A, QCM, QCM/A, QMC6, QMC6/A, SCM, SCM/A, SD16, SD16/A, VCG, VCG/A, VG24, WKS, WKS/A, WMB0, WMB0/A, WMT4, WMT4/A
23	99101-ZH8-0650	JET, MAIN, #65.....	(1)	-	-	-	-	-	-----	QMC6, SD16, VG24, WKS, WMB0
	99101-ZH8-0680	JET, MAIN, #68.....	(1)	-	-	-	-	-	-----	QMC6, SD16, VG24, WKS, WMB0
	99101-ZH8-0700	JET, MAIN, #70.....	1	-	-	-	-	-	-----	QMC6, SD16, VG24, WKS, WMB0
	99101-ZH8-0680	JET, MAIN, #68.....	-	(1)	(1)	-	-	-	-----	QC9, QC9/A, QCM, QCM/A, SCM, SCM/A, VCG, VCG/A
	99101-ZH8-0620	JET, MAIN, #62.....	-	(1)	(1)	-	-	-	-----	QMC6, QMC6/A, SD16, SD16/A, WKS, WKS/A, WMB0, WMB0/A, WMT4, WMT4/A
	99101-ZH8-0650	JET, MAIN, #65.....	-	(1)	-	-	-	-	-----	QC9/A, QCM/A, SCM/A, VCG/A
	99101-ZH8-0700	JET, MAIN, #70.....	-	(1)	-	-	-	-	-----	QC9/A, QCM/A, SCM/A, VCG/A
	99101-ZH8-0600	JET, MAIN, #60.....	-	(1)	-	-	-	-	-----	QMC6/A, SD16/A, WKS/A, WMB0/A, WMT4/A
	99101-ZH8-0650	JET, MAIN, #65.....	-	1	-	-	-	-	-----	QMC6/A, SD16/A, WKS/A, WMB0/A, WMT4/A
	(CARBURETOR NO.)		-	(1)	-	-	-	-	-----	BE66U A QMC6, SD16, WKS, WMB0, WMT4
	99101-ZH8-0680	JET, MAIN, #68.....	-	1	-	-	-	-	-----	BE66U A QMC6, SD16, WKS, WMB0, WMT4
	(CARBURETOR NO.)		-	1	-	-	-	-	-----	BE66U A QMC6, SD16, WKS, WMB0, WMT4
	99101-ZH8-0700	JET, MAIN, #70.....	-	(1)	-	-	-	-	-----	BEA4Z A QC9, QCM, SCM, VCG
	(CARBURETOR NO.)		-	(1)	-	-	-	-	-----	BEA4Z A QC9, QCM, SCM, VCG
	99101-ZH8-0720	JET, MAIN, #72.....	-	1	-	-	-	-	-----	BEA4Z A QC9, QCM, SCM, VCG
	(CARBURETOR NO.)		-	1	-	-	-	-	-----	BEA4Z A QC9, QCM, SCM, VCG

E-14

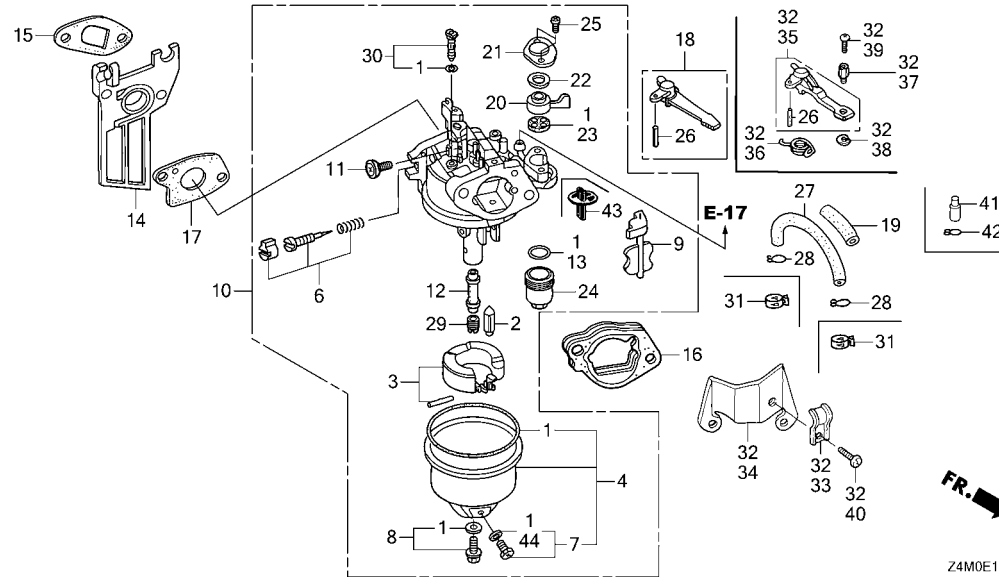
CARBURETOR(1)

Ref. No.	Part No.	Description	Reqd. QTY						Serial No.	Parts catalogue code
			GX 160 UT1	GX 160 UT2	GX 160 UT2X	GX 160 RT1	GX 160 RT2	GX 160 RT2X		
23)	99101-ZH8-0600	JET, MAIN, #60 (CARBURETOR NO.)	-	(1)	-	-	-	-	BE61V A ----- QMC6,SD16,WKS,WMB0,WMT4	
	99101-ZH8-0650	JET, MAIN, #65 (CARBURETOR NO.)	-	1	-	-	-	-	BE61V A ----- QMC6,SD16,WKS,WMB0,WMT4	
	99101-ZH8-0700	JET, MAIN, #70 (CARBURETOR NO.)	-	(1)	-	-	-	-	BE99N A ----- QC9,QCM,SCM,VCG	
	99101-ZH8-0650	JET, MAIN, #65	-	1	-	-	-	BE99N A ----- QC9,QCM,SCM,VCG		
	99101-ZH8-0700	JET, MAIN, #70	-	-	(1)	-	-	-	----- QC9,QCM,SCM	
	99101-ZH8-0600	JET, MAIN, #60	-	-	1	-	-	-	----- QC9,QCM,SCM	
	99101-ZH8-0650	JET, MAIN, #65	-	-	(1)	-	-	-	----- QMC6,SD16,WKS,WMB0,WMT4	
	99101-ZH8-0650	JET, MAIN, #65	-	-	1	-	-	-	----- QMC6,SD16,WKS,WMB0,WMT4	
24	99204-ZE0-0350	JET SET, PILOT, #35	1	-	-	-	-	-	----- QMC6,SD16,VG24,WKS,WMB0	
	99204-ZE0-0380	JET SET, PILOT, #38	-	1	-	-	-	-	----- QC9/A,QCM/A,SCM/A,VCG/A	
	99204-ZE2-0400	JET SET, PILOT, #40	-	1	-	-	-	-	----- QMC6/A,SD16/A,WKS/A,WMB0/A,WMT4/A	
	99204-ZE0-0350	JET SET, PILOT, #35 (CARBURETOR NO.)	-	1	-	-	-	-----	BE66U A QMC6,SD16,WKS,WMB0,WMT4	
	99204-ZE2-0400	JET SET, PILOT, #40 (CARBURETOR NO.)	-	1	-	-	-	-----	BEA4Z A QC9,QCM,SCM,VCG	
	99204-ZE0-0380	JET SET, PILOT, #38 (CARBURETOR NO.)	-	1	-	-	-	-----	BE61V A ----- QMC6,SD16,WKS,WMB0,WMT4	
	99204-ZE2-0400	JET SET, PILOT, #40	-	-	1	-	-	-	----- QC9,QCM,SCM,VCG	
	99204-ZE2-0400	JET SET, PILOT, #40	-	-	1	-	-	-	----- QC9,QCM,SCM	
25	16141-Z05-003	WASHER, PLAIN(6.2X10.7 DRAIN) (CARBURETOR NO.)	1	-	-	-	-	-	----- QMC6,SD16,WKS,WMB0,WMT4	
			-	1	-	-	-	-	----- QC9,QC9/A,QCM,QCM/A,QMC6/A,SCM,SCM/A,SD16/A,VCG,VCG/A	
			-	-	1	-	-	-	----- WKS/A,WMB0/A,WMT4/A	
			-	-	1	-	-	-----	BE61V A ----- QMC6,SD16,WKS,WMB0,WMT4	
			-	-	1	-	-	-	----- QC9,QCM,QMC6,SCM,SD16,WKS,WMB0,WMT4	
26	16173-001-004	O-RING	-	1	1	-	-	-	----- QC9,QC9/A,QCM,QCM/A,SCM,SCM/A,VCG,VCG/A	
27	16959-Z5T-901	FILTER, CUP	-	1	1	-	-	-	----- QC9,QC9/A,QCM,QCM/A,SCM,SCM/A,VCG,VCG/A	
28	16967-ZE0-811	CUP, FUEL STRAINER	-	1	1	-	-	-	----- QC9,QC9/A,QCM,QCM/A,SCM,SCM/A,VCG,VCG/A	



E-14-1

CARBURETOR(2)



Ref. No.	L.O.N.	(Relative ref. Number) Description	F.R.T.
1	3111B1	GASKET SET, CARBURETOR	0.3
2	3111E1	(3) FLOAT VALVE SET AND/OR FLOAT SET	0.3
4	3111A3	FLOAT CHAMBER SET AND/OR GASKET	0.2
6	3111D7	SCREW SET, PILOT	0.2
9	8101C5	CHOKE SET, CARBURETOR	0.2
10	3111F3	CARBURETOR	0.2
13	3101L6	(24, 43) PACKING, FUEL STRAINER CUP ...	0.2
14	3111C0	(15) CARBURETOR INSULATOR AND/OR PACKING	0.2
16	3111D9	SPACER, CARBURETOR	0.2
17	3111C8	PACKING, CARBURETOR	0.2
18	8101F9	(35) LEVER, CARBURETOR CHOKE	0.2
23	3101C5	(20, 21, 22) PACKING, FUEL COCK	0.2
27	3101F6	TUBE, FUEL	0.2
29	3111C3	(12) JET, MAIN	0.3

Z4M0E1401G

Ref. No.	Part No.	Description	Reqd. QTY						Serial No.	Parts catalogue code
			GX 160 UT1	GX 160 UT2	GX 160 UT2X	GX 160 RT1	GX 160 RT2	GX 160 RT2X		
1	16010-ZE1-812	GASKET SET	1	1	1	1	1	1	-----	HH26, HH26/A, HHQ4, HX2, HX2/A, HX4, HX4/A, HXE8, HXE8/A, HXU LHN4, LHN4/A, LHQ4, LX2, LX2/A, LX26, LX4, LX4/A, LXM2, LXM2/A LXU, PXU, PXU/A, QA2, QA2/A, QA26, QAX2, QAX4, QAX4/A, QBC2 QBM2, QBM2/A, QBT6, QCB2, QCL, QGR9, QGR9/A, QH26, QH26/A QHG4, QHG4/A, QHQ4, QHQ4/A, QHQ4, QKA4, QMC8, QMC8/A, QMD6 QMD6/A, QME4, QME4/A, QMP4, QMX2, QMX2/A, QMXC, QMZ2, QNT, QPU QW24, QWA4, QWA4/A, QWW2, QWX2, QWX2/A, QX2, QX2/A, QX26, QX4 QX4/A, QX7, QX9, QX9/A, QXC4, QXC9, QXE2, QXE2/A, QXE4, QXE5 QXE5/A, QXE8, QXEB, QXF2, QXGB, QXM2, QXP2, QXS2, QXS2/A, QXU QXU/A, QXW, QXWE, QXWE/A, RH2, RH2/A, RHG4, RHG4/A, RHQ4 RHQ4/A, RTB2, RX4, RX4/A, RXE2, RXE2/A, RXP2, RXU, RXU/A, S1CY S1CY/A, SG22, SG24, SG24/A, SHCC, SHCC/A, SHQ4, SHQ4/A, SHQU SHRY, SHRY/A, SMC7, SMC7/A, SMC9, SMC9/A, SMW2, SMW2/A, SMX4 SMX4/A, SMXC, SMXE, SMXE/A, SSS2, SSS2/A, SWG4, SWG4/A, SWX2 SWX2/A, SX2, SX4, SX4/A, SX7, SX9, SX9/A, SXE4, SXE5, SXE5/A SXS, SXS2, SXS4, SXS4/A, SXU, SXU/A, TCS2, TW24, TX2, TX2/A TX26, TX4, TX4/A, TXC9, TXDU, TXDU/A, TXU, UXU, UXU/A, VA2 VA2/A, VG25, VG25/A, VG29, VGE2, VGE4, VGE5, VHA9, VHH4 VHH4/A, VMS4, VSD, VSD2, VSD7, VSD9, VSD9/A, VWA2, VX2, VX2/A VX4, VXE9, VXE9/A, VXU1, VXU1/A, VXW2, WKT2, WKT2/A, WKT4 WKT6

E-14-1

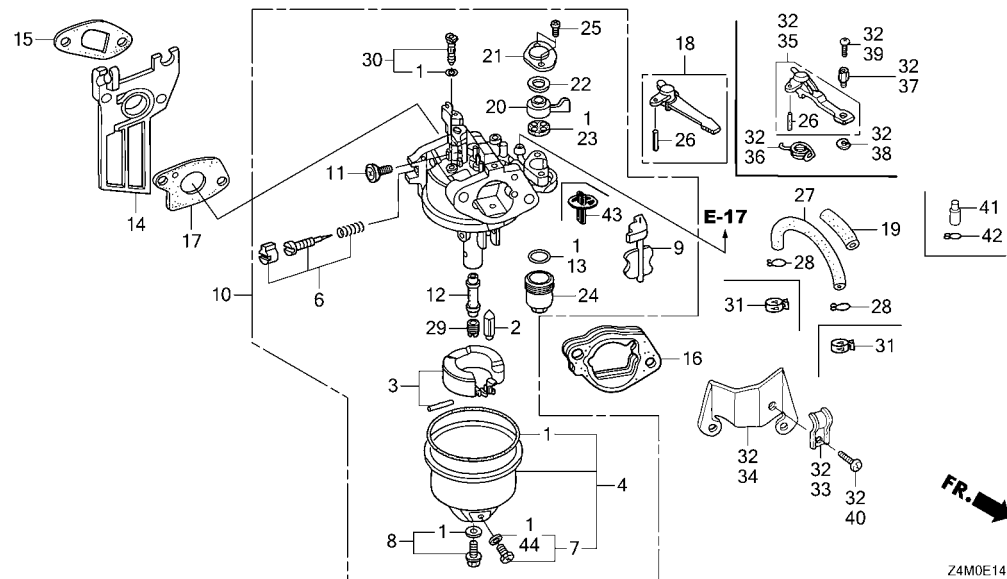
CARBURETOR(2)

Ref. No.	Part No.	Description	Reqd. QTY							Serial No.	Parts catalogue code
			GX 160 UT1	GX 160 UT2	GX 160 UT2X	GX 160 RT1	GX 160 RT2	GX 160 RT2X			
2	16011-ZE0-005	VALVE SET, FLOAT.....	1	1	1	1	1	1	-----	HH26, HH26/A, HHQ4, HX2, HX2/A, HX4, HX4/A, HXE8, HXE8/A, HXU LHN4, LHN4/A, LHQ4, LX2, LX2/A, LX26, LX4, LX4/A, LXM2, LXM2/A LXU, PXU, PXU/A, QA2, QA2/A, QA26, QAX2, QAX4, QAX4/A, QBC2 QBM2, QBM2/A, QBT6, QCB2, QCL, QGR9, QGR9/A, QH26, QH26/A QHG4, QHG4/A, QHQ4, QHQ4/A, QHQU, QKA4, QMC8, QMC8/A, QMD6 QMD6/A, QME4, QME4/A, QMP4, QMX2, QMX2/A, QMXC, QMZ2, QNT, QPU QW24, QWA4, QWA4/A, QWW2, QWX2, QWX2/A, QX2, QX2/A, QX26, QX4 QX4/A, QX7, QX9, QX9/A, QXC4, QXC9, QXE2, QXE2/A, QXE4, QXE5 QXE5/A, QXE8, QXEB, QXF2, QXGB, QXM2, QXP2, QXS2, QXS2/A, QXU QXU/A, QXW, QXWE, QXWE/A, RH2, RH2/A, RHG4, RHG4/A, RHQ4 RHQ4/A, RTB2, RX4, RX4/A, RXE2, RXE2/A, RXP2, RXU, RXU/A, S1CY S1CY/A, SG22, SG24, SG24/A, SHCC, SHCC/A, SHQ4, SHQ4/A, SHQU SHRY, SHRY/A, SMC7, SMC7/A, SMC9, SMC9/A, SMW2, SMW2/A, SMX4 SMX4/A, SMXC, SMXE, SMXE/A, SSS2, SSS2/A, SWG4, SWG4/A, SWX2 SWX2/A, SX2, SX4, SX4/A, SX7, SX9, SX9/A, SXE4, SXE5, SXE5/A SXS, SXS2, SXS4, SXS4/A, SXU, SXU/A, TCS2, TW24, TX2, TX2/A TX26, TX4, TX4/A, TXC9, TXDU, TXDU/A, TXU, UXU, UXU/A, VA2 VA2/A, VG25, VG25/A, VG29, VGE2, VGE4, VGE5, VHA9, VHH4 VHH4/A, VMS4, VSD, VSD2, VSD7, VSD9, VSD9/A, VWA2, VX2, VX2/A VX4, VXE9, VXE9/A, VXU1, VXU1/A, VXW2, WKT2, WKT2/A, WKT4 WKT6	
3	16013-Z0S-B01	FLOAT SET.....	1	1	1	1	1	1	-----	HH26, HH26/A, HHQ4, HX2, HX2/A, HX4, HX4/A, HXE8, HXE8/A, HXU LHN4, LHN4/A, LHQ4, LX2, LX2/A, LX26, LX4, LX4/A, LXM2, LXM2/A LXU, PXU, PXU/A, QA2, QA2/A, QA26, QAX2, QAX4, QAX4/A, QBC2 QBM2, QBM2/A, QBT6, QCB2, QCL, QGR9, QGR9/A, QH26, QH26/A QHG4, QHG4/A, QHQ4, QHQ4/A, QHQU, QKA4, QMC8, QMC8/A, QMD6 QMD6/A, QME4, QME4/A, QMP4, QMX2, QMX2/A, QMXC, QMZ2, QNT, QPU QW24, QWA4, QWA4/A, QWW2, QWX2, QWX2/A, QX2, QX2/A, QX26, QX4 QX4/A, QX7, QX9, QX9/A, QXC4, QXC9, QXE2, QXE2/A, QXE4, QXE5 QXE5/A, QXE8, QXEB, QXF2, QXGB, QXM2, QXP2, QXS2, QXS2/A, QXU QXU/A, QXW, QXWE, QXWE/A, RH2, RH2/A, RHG4, RHG4/A, RHQ4 RHQ4/A, RTB2, RX4, RX4/A, RXE2, RXE2/A, RXP2, RXU, RXU/A, S1CY S1CY/A, SG22, SG24, SG24/A, SHCC, SHCC/A, SHQ4, SHQ4/A, SHQU SHRY, SHRY/A, SMC7, SMC7/A, SMC9, SMC9/A, SMW2, SMW2/A, SMX4 SMX4/A, SMXC, SMXE, SMXE/A, SSS2, SSS2/A, SWG4, SWG4/A, SWX2 SWX2/A, SX2, SX4, SX4/A, SX7, SX9, SX9/A, SXE4, SXE5, SXE5/A SXS, SXS2, SXS4, SXS4/A, SXU, SXU/A, TCS2, TW24, TX2, TX2/A TX26, TX4, TX4/A, TXC9, TXDU, TXDU/A, TXU, UXU, UXU/A, VA2 VA2/A, VG25, VG25/A, VG29, VGE2, VGE4, VGE5, VHA9, VHH4 VHH4/A, VMS4, VSD, VSD2, VSD7, VSD9, VSD9/A, VWA2, VX2, VX2/A VX4, VXE9, VXE9/A, VXU1, VXU1/A, VXW2, WKT2, WKT2/A, WKT4 WKT6	
4	16015-ZE0-831	CHAMBER SET, FLOAT.....	1	-	-	1	-	-	-----	HH26, HHQ4, HX2, HX4, HXE8, HXU, LHQ4, LX2, LX26, LX4, LXU, PXU QA2, QA26, QAX2, QAX4, QBC2, QBM2, QBT6, QCB2, QCL, QGR9, QH26 QHG4, QHQ4, QHQU, QKA4, QMC8, QMD6, QME4, QMP4, QMZ2, QNT, QPU QW24, QWA4, QWW2, QWX2, QX2, QX26, QX4, QX7, QX9, QXC4, QXC9 QXE2, QXE4, QXE5, QXE8, QXF2, QXP2, QXS2, QXU, QXW, QXWE, RH2 RHG4, RHQ4, RTB2, RX4, RXE2, RXP2, RXU, SG22, SG24, SHQ4, SHQU SMC7, SMC9, SSS2, SWG4, SWX2, SX2, SX4, SX7, SX9, SXE4, SXE5 SXS, SXS2, SXS4, SXU, TCS2, TW24, TX2, TX26, TX4, TXC9, TXDU TXU, UXU, VA2, VG29, VGE2, VGE4, VGE5, VHA9, VHH4, VMS4, VSD VSD2, VSD7, VSD9, VWA2, VX2, VX4, VXE9, VXU1, VXW2, WKT2, WKT4 WKT6	



E-14-1

CARBURETOR(2)



Ref. No.	Part No.	Description	Reqd. QTY							Serial No.	Parts catalogue code
			GX UT1	GX UT2	GX UT2X	GX RT1	GX RT2	GX RT2X			
(4)	16015-Z4M-911	CHAMBER SET, FLOAT	-	1	1	-	1	1	-----	HH26, HH26/A, HHQ4, HX2, HX2/A, HX4, HX4/A, HXE8, HXE8/A, LHN4 LHN4/A, LHQ4, LX2, LX2/A, LX4, LX4/A, LXM2, LXM2/A, PXU, PXU/A QA2, QA2/A, QAX2, QAX4, QAX4/A, QBC2, QBM2, QBM2/A, QGR9 QGR9/A, QH26, QH26/A, QHG4, QHG4/A, QHQ4, QHQ4/A, QMC8 QMC8/A, QMD6, QMD6/A, QME4, QME4/A, QMP4, QMX2, QMX2/A, QMXC QPU, QWA4, QWA4/A, QWX2, QWX2/A, QX2, QX2/A, QX4, QX4/A, QX9 QX9/A, QXC9, QXE2, QXE2/A, QXE5, QXE5/A, QXE8, QXEB, QXGB QXM2, QXS2, QXS2/A, QXU, QXU/A, QXWE, QXWE/A, RH2, RH2/A, RHG4 RHG4/A, RHQ4, RHQ4/A, RX4, RX4/A, RXE2, RXE2/A, RXU, RXU/A S1CY, S1CY/A, SG24, SG24/A, SHCC, SHCC/A, SHQ4, SHQ4/A, SHRY SHRY/A, SMC7, SMC7/A, SMC9, SMC9/A, SMW2, SMW2/A, SMX4 SMX4/A, SMXC, SMXE, SMXE/A, SSS2, SSS2/A, SWG4, SWG4/A, SWX2 SWX2/A, SX4, SX4/A, SX9, SX9/A, SXE5, SXE5/A, SXS4, SXS4/A SXU, SXU/A, TX2, TX2/A, TX4, TX4/A, TXC9, TXDU, TXDU/A, UXU UXU/A, VA2, VA2/A, VG25, VG25/A, VG29, VGE4, VGE5, VHH4 VHH4/A, VSD9, VSD9/A, VX2, VX2/A, VXE9, VXE9/A, VXU1, VXU1/A WKT2, WKT2/A	
6	16016-ZH7-W01	SCREW SET, PILOT	1	-	-	1	1	-	-----	HH26, HHQ4, HX2, HX4, HXE8, HXU, LHQ4, LX2, LX26, LX4, LXU, PXU QA2, QA26, QAX2, QAX4, QBC2, QBM2, QBT6, QCB2, QCL, QGR9, QH26 QHG4, QHQ4, QHQ4, QKA4, QMC8, QMD6, QME4, QMP4, QMZ2, QNT, QPU QW24, QWA4, QWW2, QWX2, QX2, QX26, QX4, QX7, QX9, QXE2, QXE4 QXE5, QXE8, QXF2, QXP2, QXS2, QXU, QXW, QXWE, RH2, RHG4, RHQ4 RTB2, RX4, RXE2, RXP2, RXU, SG22, SG24, SHQ4, SHQ4, SMC7, SMC9 SSS2, SWG4, SWX2, SX2, SX4, SX7, SX9, SXE4, SXE5, SXS, SXS2 SXS4, SXU, TCS2, TW24, TX2, TX26, TX4, TXDU, TXU, UXU, VA2, VGE2 VGE4, VGE5, VHA9, VHH4, VMS4, VSD, VSD2, VSD7, VSD9, VWA2, VX2 VX4, VXE9, VXU1, VXW2, WKT2, WKT4, WKT6 QXC4, QXC9, TXC9, VG29	
	16016-ZH8-W01	SCREW SET	1	-	-	-	-	-	-----		

E-14-1

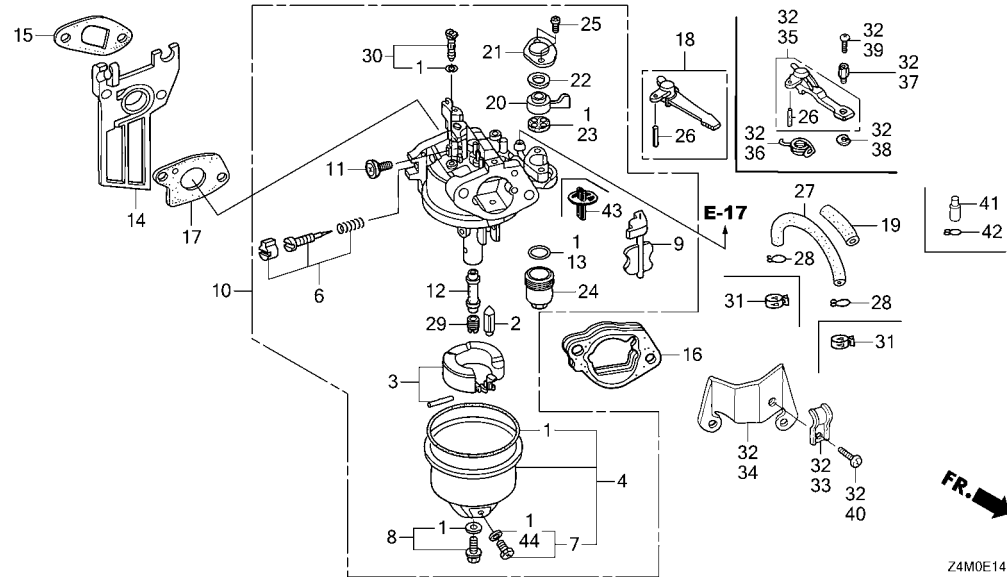
CARBURETOR(2)

Ref. No.	Part No.	Description	Reqd. QTY						Serial No.	Parts catalogue code
			GX 160 UT1	GX 160 UT2	GX 160 UT2X	GX 160 RT1	GX 160 RT2	GX 160 RT2X		
(6)	16016-ZDF-V01	SCREW SET	-	1	-	-	1	-	HH26/A, HX2/A, HX4/A, HXE8/A, LHN4/A, LX2/A, LX4/A, LXM2/A, PXU/A, QA2/A, QAX4/A, QBM2/A, QGR9/A, QH26/A, QHG4/A, QHQ4/A, QMC8/A, QMD6/A, QME4/A, QMX2/A, QWA4/A, QWX2/A, QX2/A, QX4/A, QX9/A, QXE2/A, QXE5/A, QXEB, QXGB, QXS2/A, QXU/A, QXWE/A, RH2/A, RHG4/A, RHQ4/A, RX4/A, RXE2/A, RXU/A, S1CY/A, SG24/A, SHCC/A, SHQ4/A, SHRY/A, SMC7/A, SMC9/A, SMW2/A, SMX4/A, SMXE/A, SSX2/A, SWG4/A, SWX2/A, SX4/A, SX9/A, SXE5/A, SXS4/A, SXU/A, TX2/A, TX4/A, TXDU/A, UXU/A, VA2/A, VG25/A, VHH4/A, VSD9/A, VX2/A, VXE9/A, VXU1/A, WKT2/A	
	16016-ZH7-W01	SCREW SET, PILOT	-	1	-	-	-	-	HH26, HHQ4, HX2, HX4, HXE8, LHN4, LHQ4, LX2, LX4, LXM2, PXU, QA2, QAX2, QAX4, QBC2, QBM2, QGR9, QH26, QHQ4, QMC8, QMD6, QME4, QMP4, QMX2, QMXC, QPU, QWA4, QWX2, QX2, QX4, QX9, QXC9, QXE2, QXE5, QXE8, QXM2, QXS2, QXU, QXWE, RH2, RHQ4, RX4, RXE2, RXU, S1CY, SG24, SHCC, SHQ4, SHRY, SMC7, SMC9, SMW2, SMX4, SMXC, SMXE, SSX2, SWX2, SX4, SX9, SXE5, SXS4, SXU, TX2, TX4, TXC9, TXDU, UXU, VA2, VG25, VG29, VSD9, VX2, VXE9, VXU1, WKT2	
	16016-ZDF-V01	SCREW SET	-	-	1	-	-	-	HH26, HX2, HX4, HXE8, LX2, LX4, LXM2, PXU, QA2, QAX4, QBM2, QGR9, QH26, QHQ4, QMC8, QMD6, QME4, QMX2, QWA4, QX2, QX4, QX9, QXE2, QXE5, QXEB, QXGB, QXU, QXWE, RH2, RHQ4, RX4, RXE2, S1CY, SG24, SHCC, SHQ4, SHRY, SMC7, SMW2, SMX4, SMXE, SSX2, SWX2, SX4, SXE5, SXS4, SXU, TX2, TX4, TXDU, UXU, VA2, VG25, VSD9, VXE9, WKT2	
7	16024-ZE1-811	SCREW SET, DRAIN	-	-	-	-	-	1	QHG4, RHG4 HH26, HHQ4, HX2, HX4, HXE8, HXU, LHQ4, LX2, LX26, LX4, LXU, PXU, QA2, QA26, QAX2, QAX4, QBC2, QBM2, QBT6, QCB2, QCL, QGR9, QH26, QHG4, QHQ4, QHQ4, QKA4, QMC8, QMD6, QME4, QMP4, QMZ2, QNT, QPU, QW24, QWA4, QWW2, QWX2, QX2, QX26, QX4, QX7, QX9, QXC4, QXC9, QXE2, QXE4, QXE5, QXE8, QXF2, QXP2, QXS2, QXU, QXW, QXWE, RH2, RHG4, RHQ4, RTB2, RX4, RXE2, RXP2, RXU, SG22, SG24, SHQ4, SHQU, SMC7, SMC9, SSX2, SWG4, SWX2, SX2, SX4, SX7, SX9, SXE4, SXE5, SXS, SXS2, SXS4, SXU, TCS2, TW24, TX2, TX26, TX4, TXC9, TXDU, TXU, UXU, VA2, VG29, VGE2, VGE4, VGE5, VHA9, VHH4, VMS4, VSD, VSD2, VSD7, VSD9, VWA2, VX2, VX4, VXE9, VXU1, VXW2, WKT2, WKT4, WKT6	
	16024-Z5T-901	-	1	1	-	1	1	HH26, HH26/A, HHQ4, HX2, HX2/A, HX4, HX4/A, HXE8, HXE8/A, LHN4, LHN4/A, LHQ4, LX2, LX2/A, LX4, LX4/A, LXM2, LXM2/A, PXU, PXU/A, QA2, QA2/A, QAX2, QAX4, QAX4/A, QBC2, QBM2, QBM2/A, QGR9, QGR9/A, QH26, QH26/A, QHG4, QHG4/A, QHQ4, QHQ4/A, QMC8, QMC8/A, QMD6, QMD6/A, QME4, QME4/A, QMP4, QMX2, QMX2/A, QMXC, QPU, QWA4, QWA4/A, QWX2, QWX2/A, QX2, QX2/A, QX4, QX4/A, QX9, QX9/A, QXC9, QXE2, QXE2/A, QXE5, QXE5/A, QXE8, QXE8, QXGB, QXGB, QXM2, QXS2, QXS2/A, QXU, QXU/A, QXWE, QXWE/A, RH2, RH2/A, RHG4, RHG4/A, RHQ4, RHQ4/A, RX4, RX4/A, RXE2, RXE2/A, RXU, RXU/A, S1CY, S1CY/A, SG24, SG24/A, SHCC, SHCC/A, SHQ4, SHQ4/A, SHRY, SHRY/A, SMC7, SMC7/A, SMC9, SMC9/A, SMW2, SMW2/A, SMX4, SMX4/A, SMXC, SMXE, SMXE/A, SSX2, SSX2/A, SWG4, SWG4/A, SWX2, SWX2/A, SX4, SX4/A, SX9, SX9/A, SXE5, SXE5/A, SXS4, SXS4/A, SXU, SXU/A, TX2, TX2/A, TX4, TX4/A, TXC9, TXDU, TXDU/A, UXU, UXU/A, VA2, VA2/A, VG25, VG25/A, VG29, VGE4, VGE5, VHH4, VHH4/A, VSD9, VSD9/A, VX2, VX2/A, VXE9, VXE9/A, VXU1, VXU1/A, WKT2, WKT2/A	



E-14-1

CARBURETOR(2)



Ref. No.	Part No.	Description	Reqd. QTY						Serial No.	Parts catalogue code
			GX 160 UT1	GX 160 UT2	GX 160 UT2X	GX 160 RT1	GX 160 RT2	GX 160 RT2X		
8	16028-ZE0-005	SCREW SET	1	-	-	1	-	-	-----	HH26, HHQ4, HX2, HX4, HXE8, HXU, LHQ4, LX2, LX26, LX4, LXU, PXU QA2, QA26, QAX2, QAX4, QBC2, QBM2, QBT6, QCB2, QCL, QGR9, QH26 QHG4, QHQ4, QHQ4, QKA4, QMC8, QMD6, QME4, QMP4, QM22, QNT, QPU QW24, QWA4, QWW2, QWX2, QX2, QX26, QX4, QX7, QX9, QXC4, QXC9 QXE2, QXE4, QXE5, QXE8, QXF2, QXP2, QXS2, QXU, QXW, QXWE, RH2 RHG4, RHQ4, RTB2, RX4, RXE2, RXP2, RXU, SG22, SG24, SHQ4, SHQU SMC7, SMC9, SSS2, SWG4, SWX2, SX2, SX4, SX7, SX9, SXE4, SXE5 SXS, SXS2, SXS4, SXU, TCS2, TW24, TX2, TX26, TX4, TXC9, TXDU TXU, UXU, VA2, VG29, VGE2, VGE4, VGE5, VHA9, VHH4, VMS4, VSD VSD2, VSD7, VSD9, VWA2, VX2, VX4, VXE9, VXU1, VXW2, WKT2, WKT4 WKT6
	16028-Z5T-901	-	1	1	-	1	1	-----	HH26, HH26/A, HHQ4, HX2, HX2/A, HX4, HX4/A, HXE8, HXE8/A, LHN4 LHN4/A, LHQ4, LX2, LX2/A, LX4, LX4/A, LXM2, LXM2/A, PXU, PXU/A QA2, QA2/A, QAX2, QAX4, QAX4/A, QBC2, QBM2, QBM2/A, QGR9 QGR9/A, QH26, QH26/A, QHG4, QHG4/A, QHQ4, QHQ4/A, QMC8 QMC8/A, QMD6, QMD6/A, QME4, QME4/A, QMP4, QMX2, QMX2/A, QMXC QPU, QWA4, QWA4/A, QWX2, QWX2/A, QX2, QX2/A, QX4, QX4/A, QX9 QX9/A, QXC9, QXE2, QXE2/A, QXE5, QXE5/A, QXE8, QXE8, QXGB QXM2, QXS2, QXS2/A, QXU, QXU/A, QXWE, QXWE/A, RH2, RH2/A, RHG4 RHG4/A, RHQ4, RHQ4/A, RX4, RX4/A, RXE2, RXE2/A, RXU, RXU/A S1CY, S1CY/A, SG24, SG24/A, SHCC, SHCC/A, SHQ4, SHQ4/A, SHRY SHRY/A, SMC7, SMC7/A, SMC9, SMC9/A, SMW2, SMW2/A, SMX4 SMX4/A, SMXC, SMXE, SMXE/A, SSS2, SSS2/A, SWG4, SWG4/A, SWX2 SWX2/A, SX4, SX4/A, SX9, SX9/A, SXE5, SXE5/A, SXS4, SXS4/A SXU, SXU/A, TX2, TX2/A, TX4, TX4/A, TXC9, TXDU, TXDU/A, UXU UXU/A, VA2, VA2/A, VG25, VG25/A, VG29, VGE4, VGE5, VHH4 VHH4/A, VSD9, VSD9/A, VX2, VX2/A, VXE9, VXE9/A, VXU1, VXU1/A WKT2, WKT2/A



E-14-1

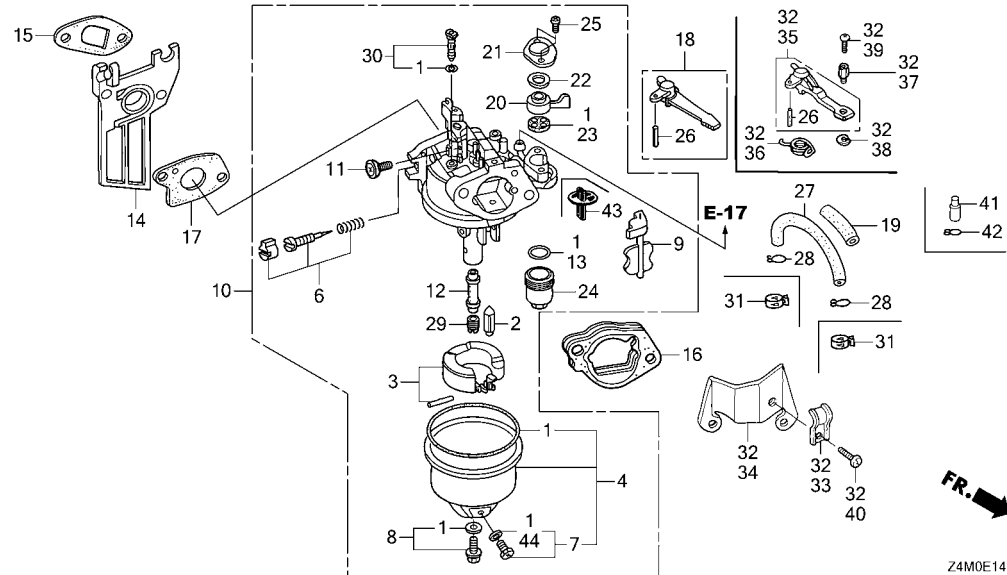
CARBURETOR(2)

Ref. No.	Part No.	Description	Reqd. QTY						Serial No.	Parts catalogue code
			GX 160 UT1	GX 160 UT2	GX 160 UT2X	GX 160 RT1	GX 160 RT2	GX 160 RT2X		
9	16044-ZE0-005	CHOKE SET	1	-	-	1	-	-	-----	HH26, HHQ4, HX2, HX4, HXE8, HXU, LHQ4, LX2, LX26, LX4, LXU, PXU, QA2, QA26, QAX2, QAX4, QBC2, QBM2, QBT6, QCB2, QCL, QGR9, QH26, QHG4, QHQ4, QHQU, QKA4, QMC8, QMD6, QME4, QMP4, QMZ2, QNT, QPU, QW24, QWA4, QWW2, QWX2, QX2, QX26, QX4, QX7, QX9, QXC4, QXC9, QXE2, QXE4, QXE5, QXE8, QXF2, QXP2, QXS2, QXU, QXW, QXWE, RH2, RHG4, RHQ4, RTB2, RX4, RXE2, RXP2, RXU, SG22, SG24, SHQ4, SHQU, SMC7, SMC9, SSSX2, SWG4, SWX2, SX2, SX4, SX7, SX9, SXE4, SXE5, SXS, SXS2, SXS4, SXU, TCS2, TW24, TX2, TX26, TX4, TXC9, TXDU, TXU, UXU, VA2, VG29, VGE2, VGE4, VGE5, VHA9, VHH4, VMS4, VSD, VSD2, VSD7, VSD9, VWA2, VX2, VX4, VXE9, VXU1, VXW2, WKT2, WKT4, WKT6
	16044-Z4M-911	-	1	-	-	1	-	-----	HH26, HHQ4, HX2, HX4, HXE8, LHN4, LHQ4, LX2, LX4, LXM2, PXU, QA2, QAX2, QAX4, QBC2, QBM2, QGR9, QH26, QHG4, QHQ4, QMC8, QMD6, QME4, QMP4, QMX2, QMXC, QPU, QWA4, QWX2, QX2, QX4, QX9, QXC9, QXE2, QXE5, QXE8, QXM2, QXS2, QXU, QXWE, RH2, RHG4, RHQ4, RX4, RXE2, RXU, S1CY, SG24, SHCC, SHQ4, SHRY, SMC7, SMC9, SMW2, SMX4, SMXC, SMXE, SSSX2, SWG4, SWX2, SX4, SX9, SXE5, SXS4, SXU, TX2, TX4, TXC9, TXDU, UXU, VA2, VG25, VG29, VGE4, VGE5, VHH4, VSD9, VX2, VXE9, VXU1, WKT2
	16044-ZE0-005	-	1	-	-	-	-	-----	HH26/A, HX2/A, HX4/A, HXE8/A, LHN4/A, LX2/A, LX4/A, LXM2/A, PXU/A, QA2/A, QAX2/A, QAX4/A, QBM2/A, QGR9/A, QH26/A, QHQ4/A, QMC8/A, QMD6/A, QME4/A, QMX2/A, QWA4/A, QWX2/A, QX2/A, QX4/A, QX9/A, QXE2/A, QXE5/A, QXE8, QXGB, QXS2/A, QXU/A, QXWE/A, RH2/A, RHQ4/A, RX4/A, RXE2/A, RXU/A, S1CY/A, SG24/A, SHCC/A, SHQ4/A, SHRY/A, SMC7/A, SMC9/A, SMW2/A, SMX4/A, SMXE/A, SSSX2/A, SWX2/A, SX4/A, SX9/A, SXE5/A, SXS4/A, SXU/A, TX2/A, TX4/A, TXDU/A, UXU/A, VA2/A, VG25/A, VSD9/A, VX2/A, VXE9/A, VXU1/A, WKT2/A
			-	-	1	-	-	-	-----	HH26, HX2, HX4, HXE8, LX2, LX4, LXM2, PXU, QA2, QAX4, QBM2, QGR9, QH26, QHQ4, QMC8, QMD6, QME4, QMX2, QWA4, QX2, QX4, QX9, QXE2, QXE5, QXE8, QXGB, QXU, QXWE, RH2, RHQ4, RX4, RXE2, S1CY, SG24, SHCC, SHQ4, SHRY, SMC7, SMW2, SMX4, SMXE, SSSX2, SWX2, SX4, SXE5, SXS4, SXU, TX2, TX4, TXDU, UXU, VA2, VG25, VSD9, VXE9, WKT2
			-	-	-	-	1	-	-----	QHG4/A, RHG4/A, SWG4/A, VHH4/A
10	16100-Z0T-911	CARBURETOR ASSY.(BE65Q A)	1	-	-	1	-	-	-----	HH26, HHQ4, HX2, HX4, HXE8, HXU, LHQ4, LX2, LX26, LX4, LXU, PXU, QAX2, QAX4, QBC2, QBM2, QBT6, QCB2, QCL, QGR9, QH26, QHG4, QHQ4, QHQU, QKA4, QMC8, QMD6, QMP4, QMZ2, QNT, QPU, QW24, QWA4, QWW2, QWX2, QX2, QX26, QX4, QX7, QX9, QXE2, QXE4, QXE5, QXE8, QXF2, QXP2, QXS2, QXU, QXW, QXWE, RH2, RHG4, RHQ4, RTB2, RX4, RXE2, RXP2, RXU, SG22, SG24, SHQ4, SHQU, SMC7, SMC9, SSSX2, SWG4, SWX2, SX2, SX4, SX7, SX9, SXE4, SXE5, SXS, SXS2, SXS4, SXU, TCS2, TW24, TX2, TX26, TX4, TXDU, TXU, UXU, VA2, VGE2, VGE4, VGE5, VHA9, VHH4, VMS4, VSD, VSD2, VSD7, VSD9, VWA2, VX2, VX4, VXE9, VXU1, VXW2
	16100-Z0T-921	CARBURETOR ASSY.(BE65R A)	1	-	-	-	-	-	-----	QA2, QA26, WKT2, WKT4, WKT6
	16100-Z4X-V21	CARBURETOR ASSY.(BE54B A)	1	-	-	-	-	-	-----	QXC4, QXC9, TXC9, VG29
	16100-Z0T-911	CARBURETOR ASSY.(BE65Q A)	1	-	-	-	-	-	2412817	QME4
	16100-Z0T-921	CARBURETOR ASSY.(BE65R A)	1	-	-	-	-	-	2412818	QME4
	16100-Z4M-922	CARBURETOR ASSY.(BE54D A)	-	1	-	-	1	-	-----	HH26, HHQ4, HX2, HX4, HXE8, LHN4, LHQ4, LX2, LX4, LXM2, PXU, QAX2, QAX4, QGR9, QH26, QHG4, QHQ4, QPU, QWX2, QX2, QX4, QXE2, QXE5, QXE8, QXM2, QXS2, QXU, QXWE, RH2, RHG4, RHQ4, RX4, RXE2, RXU, SHCC, SHQ4, SHRY, SMW2, SMX4, SMXE, SWX2, SX4, SXE5, SXS4, SXU, TX2, TX4, TXDU, UXU, VA2, VG25, VGE4, VGE5, VHH4, VX2, VXU1, WKT2



E-14-1

CARBURETOR(2)



Ref. No.	Part No.	Description	Reqd. QTY						Serial No.	Parts catalogue code
			GX 160 UT1	GX 160 UT2	GX 160 UT2X	GX 160 RT1	GX 160 RT2	GX 160 RT2X		
10)	16100-Z4M-WC1	CARBURETOR ASSY.(BE99M A)	-	1	-	-	-	-	-----	HH26/A, HX2/A, HX4/A, HXE8/A, LHN4/A, LX2/A, LX4/A, LXM2/A, PXU/A, QA2/A, QAX4/A, QBM2/A, QGR9/A, QH26/A, QHQ4/A, QMC8/A, QMD6/A, QME4/A, QMX2/A, QWA4/A, QWX2/A, QX2/A, QX4/A, QX9/A, QXE2/A, QXE5/A, QXEB, QXGB, QXS2/A, QXU/A, QXWE/A, RH2/A, RHQ4/A, RX4/A, RXE2/A, RXU/A, S1CY/A, SG24/A, SHCC/A, SHQ4/A, SHRY/A, SMC7/A, SMC9/A, SMW2/A, SMX4/A, SMXE/A, SSX2/A, SWX2/A, SX4/A, SX9/A, SXE5/A, SXS4/A, SXU/A, TX2/A, TX4/A, TXDU/A, UXU/A, VA2/A, VG25/A, VSD9/A, VX2/A, VXE9/A, VXU1/A, WKT2/A
	16100-Z4M-951	CARBURETOR ASSY.(BE54N A)	-	1	-	-	-	-	-----	QA2, QME4
	16100-Z4M-911	CARBURETOR ASSY.(BE54C A)	-	1	-	-	-	-	-----	QBC2, QBM2, QMC8, QMD6, QMX2, QWA4, QX9, S1CY, SG24, SMC7, SMC9, SSX2, SX9, VSD9, VXE9
	16100-Z4M-941	CARBURETOR ASSY.(BE54M A)	-	1	-	-	-	-	-----	QMP4
	16100-Z4M-V22	CARBURETOR ASSY.(BE54E A)	-	1	-	-	-	-	-----	QMXC, QXC9, SMXC, TXC9, VG29
	16100-Z4M-WC1	CARBURETOR ASSY.(BE99M A)	-	-	1	-	-	-	-----	HH26, HX2, HX4, HXE8, LX2, LX4, LXM2, PXU, QA2, QAX4, QBM2, QGR9, QH26, QHQ4, QMC8, QMD6, QME4, QMX2, QWA4, QX2, QX4, QX9, QXE2, QXE5, QXEB, QXGB, QXU, QXWE, RH2, RHQ4, RX4, RXE2, S1CY, SG24, SHCC, SHQ4, SHRY, SMC7, SMW2, SMX4, SMXE, SSX2, SWX2, SX4, SXE5, SXS4, SXU, TX2, TX4, TXDU, UXU, VA2, VG25, VSD9, VXE9, WKT2, QHG4/A, RHG4/A, SWG4/A, VHH4/A
	16100-Z9J-WA1	CARBURETOR ASSY.(BE99V A)	-	-	-	-	1	-	-----	RHG4, SWG4
	16100-Z4M-911	CARBURETOR ASSY.(BE54C A)	-	-	-	-	1	-	1602109	RHG4, SWG4
	16100-Z9J-801	CARBURETOR ASSY.(BEA4F A)	-	-	-	-	1	1602110	-----	RHG4, SWG4
	16100-Z9J-WA1	CARBURETOR ASSY.(BE99V A)	-	-	-	-	-	1	-----	QHG4, RHG4

E-14-1

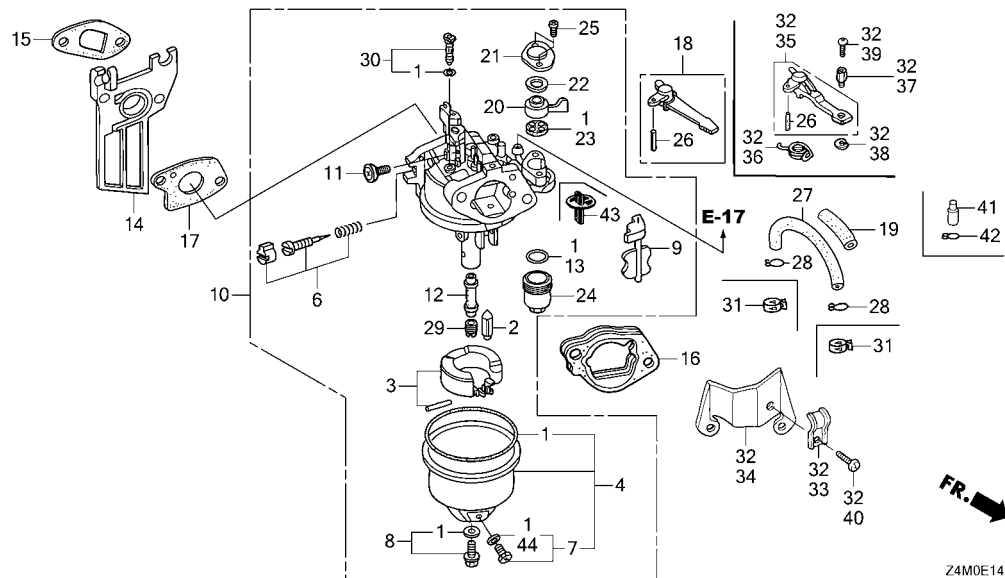
CARBURETOR(2)

Ref. No.	Part No.	Description	Reqd. QTY						Serial No.	Parts catalogue code
			GX 160 UT1	GX 160 UT2	GX 160 UT2X	GX 160 RT1	GX 160 RT2	GX 160 RT2X		
11	16124-ZE0-005	SCREW, THROTTLE STOP.....	1	1	1	1	1	1	-----	HH26, HH26/A, HHQ4, HX2, HX2/A, HX4, HX4/A, HXE8, HXE8/A, HXU LHN4, LHN4/A, LHQ4, LX2, LX2/A, LX26, LX4, LX4/A, LXM2, LXM2/A LXU, PXU, PXU/A, QA2, QA2/A, QA26, QAX2, QAX4, QAX4/A, QBC2 QBM2, QBM2/A, QBT6, QCB2, QCL, QGR9, QGR9/A, QH26, QH26/A QHG4, QHG4/A, QHQ4, QHQ4/A, QHQU, QKA4, QMC8, QMC8/A, QMD6 QMD6/A, QME4, QME4/A, QMP4, QMX2, QMX2/A, QMXC, QMZ2, QNT, QPU QW24, QWA4, QWA4/A, QWW2, QWX2, QWX2/A, QX2, QX2/A, QX26, QX4 QX4/A, QX7, QX9, QX9/A, QXC4, QXC9, QXE2, QXE2/A, QXE4, QXE5 QXE5/A, QXE8, QXEB, QXF2, QXGB, QXM2, QXP2, QXS2, QXS2/A, QXU QXU/A, QXW, QXWE, QXWE/A, RH2, RH2/A, RHG4, RHG4/A, RHQ4 RHQ4/A, RTB2, RX4, RX4/A, RXE2, RXE2/A, RXP2, RXU, RXU/A, S1CY S1CY/A, SG22, SG24, SG24/A, SHCC, SHCC/A, SHQ4, SHQ4/A, SHQU SHRY, SHRY/A, SMC7, SMC7/A, SMC9, SMC9/A, SMM2, SMM2/A, SMX4 SMX4/A, SMXC, SMXE, SMXE/A, SSS2, SSS2/A, SWG4, SWG4/A, SWX2 SWX2/A, SX2, SX4, SX4/A, SX7, SX9, SX9/A, SXE4, SXE5, SXE5/A, SXS, SXS2, SXS4, SXS4/A, SXU, SXU/A, TCS2, TW24, TX2, TX2/A TX26, TX4, TX4/A, TXC9, TXDU, TXDU/A, TXU, UXU, UXU/A, VA2 VA2/A, VG25, VG25/A, VG29, VGE2, VGE4, VGE5, VHA9, VHH4 VHH4/A, VMS4, VSD, VSD2, VSD7, VSD9, VSD9/A, VWA2, VX2, VX2/A VX4, VXE9, VXE9/A, VXU1, VXU1/A, VXX2, WKT2, WKT2/A, WKT4 WKT6
12	16166-ZH8-W50	NOZZLE, MAIN.....	1	-	-	1	-	-	-----	HH26, HHQ4, HX2, HX4, HXE8, HXU, LHQ4, LX2, LX26, LX4, LXU, PXU QAX2, QAX4, QBC2, QBM2, QBT6, QCB2, QCL, QGR9, QH26, QHG4, QHQ4 QHQ4, QKA4, QMC8, QMD6, QMP4, QMZ2, QNT, QPU, QW24, QWA4, QWW2 QWX2, QX2, QX26, QX4, QX7, QX9, QXE2, QXE4, QXE5, QXE8, QXF2 QXP2, QXS2, QXU, QXW, QXWE, RH2, RHG4, RHQ4, RTB2, RX4, RXE2, RXP2, RXU, SG22, SG24, SHQ4, SHQU, SMC7, SMC9, SSS2, SWG4, SWX2 SX2, SX4, SX7, SX9, SXE4, SXE5, SXS, SXS2, SXS4, SXU, TCS2, TW24 TX2, TX26, TX4, TXDU, TXU, UXU, VA2, VGE2, VGE4, VGE5, VHA9 VHH4, VMS4, VSD, VSD2, VSD7, VSD9, VWA2, VX2, VX4, VXE9, VXU1 VXX2
	16166-ZH8-W60	1	-	-	-	-	-	-----	QA2, QA26, WKT2, WKT4, WKT6
	16166-ZH8-W00	1	-	-	-	-	-	-----	QXC4, QXC9, TXC9, VG29
	16166-ZH8-W50	1	-	-	-	-	-	-----	BE65Q A QME4
	16166-ZH8-W60	(CARBURETOR NO.)	1	-	-	-	-	-	-----	BE65R A
	16166-ZH8-W60	(CARBURETOR NO.)	1	-	-	-	-	-	-----	QME4
	16166-Z4M-922	-	1	-	-	1	-	-----	HH26, HHQ4, HX2, HX4, HXE8, LHN4, LHQ4, LX2, LX4, LXM2, PXU QAX2, QAX4, QGR9, QH26, QHG4, QHQ4, QPU, QWX2, QX2, QX4, QXE2 QXE5, QXE8, QXM2, QXS2, QXU, QXWE, RH2, RHQ4, RX4, RXE2, RXU SHCC, SHQ4, SHRY, SMM2, SMX4, SMXE, SWX2, SX4, SXE5, SXS4, SXU TX2, TX4, TXDU, UXU, VA2, VG25, VGE4, VGE5, VHH4, VX2, VXU1 WKT2
	16166-Z4M-WC1	-	1	-	-	1	-	-----	HH26/A, HX2/A, HX4/A, HXE8/A, LHN4/A, LX2/A, LX4/A, LXM2/A PXU/A, QA2/A, QAX4/A, QBM2/A, QGR9/A, QH26/A, QHG4/A, QHQ4/A QMC8/A, QMD6/A, QME4/A, QMX2/A, QWA4/A, QWX2/A, QX2/A, QX4/A QX9/A, QXE2/A, QXE5/A, QXEB, QXGB, QXS2/A, QXU/A, QXWE/A RH2/A, RHG4/A, RHQ4/A, RX4/A, RXE2/A, RXU/A, S1CY/A, SG24/A SHCC/A, SHQ4/A, SHRY/A, SMC7/A, SMC9/A, SMM2/A, SMX4/A SMXE/A, SSS2/A, SWG4/A, SWX2/A, SX4/A, SX9/A, SXE5/A, SXS4/A SXU/A, TX2/A, TX4/A, TXDU/A, UXU/A, VA2/A, VG25/A, VHH4/A VSD9/A, VX2/A, VXE9/A, VXU1/A, WKT2/A
	16166-Z4M-911	-	1	-	-	1	-	-----	QBC2, QBM2, QMC8, QMD6, QMX2, QWA4, QX9, RHG4, S1CY, SG24, SMC7 SMC9, SSS2, SWG4, SX9, VSD9, VXE9
	16166-Z4M-941	-	1	-	-	-	-	-----	QA2, QME4, QMP4
	16166-Z4M-V21	-	1	-	-	-	-	-----	QMXC, QXC9, SMXC, TXC9, VG29



E-14-1

CARBURETOR(2)



Ref. No.	Part No.	Description	Reqd. QTY						Serial No.	Parts catalogue code
			GX 160 UT1	GX 160 UT2	GX 160 UT2X	GX 160 RT1	GX 160 RT2	GX 160 RT2X		
12)	16166-Z4M-WC1	NOZZLE, MAIN.....	-	-	1	-	-	-	-----	HH26, HX2, HX4, HXE8, LX2, LX4, LXM2, PXU, QA2, QAX4, QBM2, QGR9, QH26, QHQ4, QMC8, QMD6, QME4, QMX2, QWA4, QX2, QX4, QX9, QXE2, QXE5, QXEB, QXGB, QXU, QXWE, RH2, RHQ4, RX4, RXE2, S1CY, SG24, SHCC, SHQ4, SHRY, SMC7, SMW2, SMX4, SMXE, SSX2, SWX2, SX4, SXE5, SXS4, SXU, TX2, TX4, TXDU, UXU, VA2, VG25, VSD9, VXE9, WKT2
13	16173-001-004	O-RING.....	1	1	1	1	1	1	-----	QHG4, RHG4 HH26, HH26/A, HHQ4, HX2, HX2/A, HX4, HX4/A, HXE8, HXE8/A, HXU, LHN4, LHN4/A, LHQ4, LX2, LX2/A, LX26, LX4, LX4/A, LXM2, LXM2/A, LXU, PXU, PXU/A, QA2, QA2/A, QA26, QAX2, QAX4, QAX4/A, QBC2, QBM2, QBM2/A, QBT6, QCB2, QCL, QGR9, QGR9/A, QH26, QH26/A, QHG4, QHG4/A, QHQ4, QHQ4/A, QHQ4, QKA4, QMC8, QMC8/A, QMD6, QMD6/A, QME4, QME4/A, QMP4, QMX2, QMX2/A, QMXC, QM22, QNT, QPU, QW24, QWA4, QWA4/A, QWW2, QWX2, QWX2/A, QX2, QX2/A, QX26, QX4, QX4/A, QX7, QX9, QX9/A, QXC4, QXC9, QXE2, QXE2/A, QXE4, QXE5, QXE5/A, QXE8, QXEB, QXF2, QXGB, QXM2, QXP2, QXS2, QXS2/A, QXU, QXU/A, QXW, QXWE, QXWE/A, RH2, RH2/A, RHG4, RHG4/A, RHQ4, RHQ4/A, RTB2, RX4, RX4/A, RXE2, RXE2/A, RXP2, RXU, RXU/A, S1CY, S1CY/A, SG22, SG24, SG24/A, SHCC, SHCC/A, SHQ4, SHQ4/A, SHQU, SHRY, SHRY/A, SMC7, SMC7/A, SMC9, SMC9/A, SMW2, SMW2/A, SMX4, SMX4/A, SMXC, SMXE, SMXE/A, SSX2, SSX2/A, SWG4, SWG4/A, SWX2, SWX2/A, SX2, SX4, SX4/A, SX7, SX9, SX9/A, SXE4, SXE5, SXE5/A, SXS, SXS2, SXS4, SXS4/A, SXU, SXU/A, TCS2, TW24, TX2, TX2/A, TX26, TX4, TX4/A, TXC9, TXDU, TXDU/A, TXU, UXU, UXU/A, VA2, VA2/A, VG25, VG25/A, VG29, VGE2, VGE4, VGE5, VHA9, VHH4, VHH4/A, VMS4, VSD, VSD2, VSD7, VSD9, VSD9/A, VWA2, VX2, VX2/A, VX4, VXE9, VXE9/A, VXU1, VXU1/A, VXX2, WKT2, WKT2/A, WKT4, WKT6

E-14-1

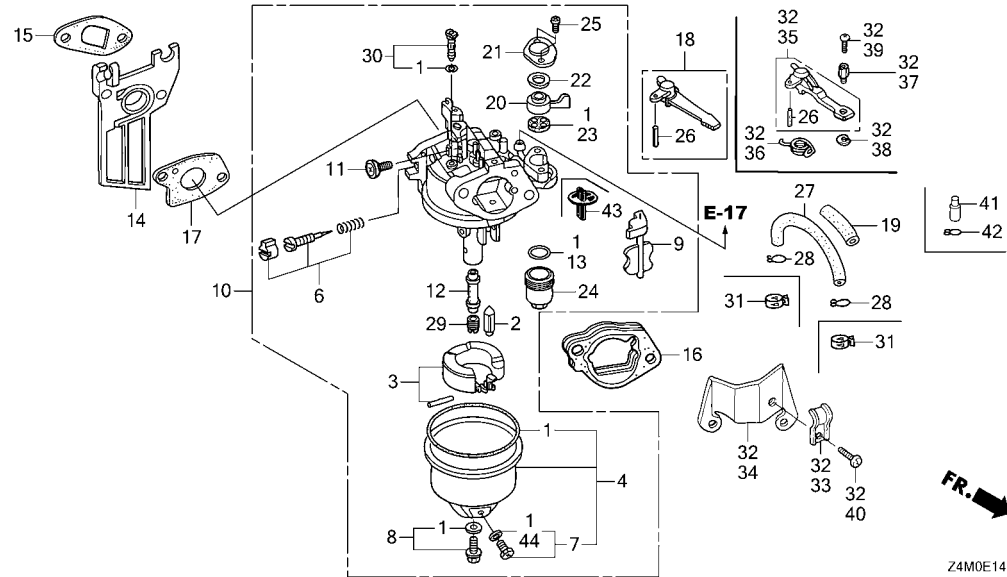
CARBURETOR(2)

Ref. No.	Part No.	Description	Reqd. QTY						Serial No.	Parts catalogue code
			GX 160 UT1	GX 160 UT2	GX 160 UT2X	GX 160 RT1	GX 160 RT2	GX 160 RT2X		
14	16211-ZE1-000	INSULATOR, CARBURETOR	1	-	-	1	-	-	HH26, HHQ4, HX2, HX4, HXE8, HXU, LHQ4, LX2, LX26, LX4, LXU, PXU, QA2, QA26, QAX2, QAX4, QBC2, QBM2, QBT6, QCB2, QCL, QGR9, QH26, QHG4, QHQ4, QHQU, QKA4, QMC8, QMD6, QME4, QMZ2, QNT, QPU, QW24, QWA4, QWW2, QWX2, QX2, QX26, QX4, QX7, QX9, QXC4, QXC9, QXE2, QXE4, QXE5, QXE8, QXF2, QXP2, QXS2, QXU, QXW, QXWE, RH2, RHG4, RHQ4, RTB2, RX4, RXE2, RXP2, RXU, SG22, SG24, SHQ4, SHQU, SMC7, SMC9, SSSX2, SWG4, SWX2, SX2, SX4, SX7, SX9, SXE4, SXE5, SXS, SXS2, SXS4, SXU, TCS2, TW24, TX2, TX26, TX4, TXC9, TXDU, TXU, UXU, VA2, VG29, VGE2, VGE4, VGE5, VHA9, VHH4, VMS4, VSD, VSD2, VSD7, VSD9, VWA2, VX2, VX4, VXE9, VXU1, VXW2, WKT2, WKT4, WKT6	
	16211-Z1T-000	1	-	-	-	-	-	QXP2, RXP2	
	16211-ZE1-000	1	-	-	-	-	2439362	QMP4	
	16210-Z4M-000	INSULATOR COMP., CARBURETOR ..	1	-	-	-	-	2439363	QMP4	
	16211-Z4M-000	INSULATOR, CARBURETOR	-	1	-	-	1	-	HH26, HHQ4, HX2, HX4, HXE8, LHN4, LHQ4, LX2, LX4, LXM2, PXU, QA2, QAX2, QAX4, QBC2, QBM2, QGR9, QH26, QHG4, QHQ4, QMC8, QMD6, QME4, QMX2, QMXC, QPU, QWA4, QWX2, QX2, QX4, QX9, QXC9, QXE2, QXE5, QXE8, QXM2, QXS2, QXU, QXWE, RH2, RHG4, RHQ4, RX4, RXE2, RXU, S1CY, SG24, SHCC, SHQ4, SHRY, SMC7, SMC9, SMW2, SMX4, SMXC, SMXE, SSSX2, SWG4, SWX2, SX4, SX9, SXE5, SXS4, SXU, TX2, TX4, TXC9, TXDU, UXU, VA2, VG25, VG29, VGE4, VGE5, VHH4, VSD9, VX2, VXE9, VXU1, WKT2	
	16211-Z4M-900	-	1	-	-	1	-	HH26/A, HX2/A, HX4/A, HXE8/A, LHN4/A, LHQ4/A, LX2/A, LX4/A, LXM2/A, PXU/A, QA2/A, QAX4/A, QBM2/A, QGR9/A, QH26/A, QHG4/A, QHQ4/A, QMC8/A, QMD6/A, QME4/A, QMX2/A, QWA4/A, QWX2/A, QX2/A, QX4/A, QX9/A, QXE2/A, QXE5/A, QXEB, QXGB, QXS2/A, QXU/A, QXWE/A, RH2/A, RHG4/A, RHQ4/A, RX4/A, RXE2/A, RXU/A, S1CY/A, SG24/A, SHCC/A, SHQ4/A, SHRY/A, SMC7/A, SMC9/A, SMW2/A, SMX4/A, SMXE/A, SSSX2/A, SWG4/A, SWX2/A, SX4/A, SX9/A, SXE5/A, SXS4/A, SXU/A, TX2/A, TX4/A, TXDU/A, UXU/A, VA2/A, VG25/A, VHH4/A, VSD9/A, VX2/A, VXE9/A, VXU1/A, WKT2/A	
	16210-Z4M-800	INSULATOR COMP., CARBURETOR ..	-	1	-	-	-	-	QMP4	
	16211-Z4M-900	INSULATOR, CARBURETOR	-	-	1	-	-	-	HH26, HX2, HX4, HXE8, LX2, LX4, LXM2, PXU, QA2, QAX4, QBM2, QGR9, QH26, QHQ4, QMC8, QMD6, QME4, QMX2, QWA4, QX2, QX4, QX9, QXE2, QXE5, QXEB, QXGB, QXU, QXWE, RH2, RHQ4, RX4, RXE2, S1CY, SG24, SHCC, SHQ4, SHRY, SMC7, SMW2, SMX4, SMXE, SSSX2, SWX2, SX4, SXE5, SXS4, SXU, TX2, TX4, TXDU, UXU, VA2, VG25, VSD9, VXE9, WKT2	
15	16212-ZH8-800	PACKING, INSULATOR	1	1	1	1	1	1	QHG4, RHG4	
									HH26, HH26/A, HHQ4, HX2, HX2/A, HX4, HX4/A, HXE8, HXE8/A, HXU, LHN4, LHN4/A, LHQ4, LX2, LX2/A, LX26, LX4, LX4/A, LXM2, LXM2/A, LXU, PXU, PXU/A, QA2, QA2/A, QA26, QAX2, QAX4, QAX4/A, QBC2, QBM2, QBM2/A, QBT6, QCB2, QCL, QGR9, QGR9/A, QH26, QH26/A, QHG4, QHG4/A, QHQ4, QHQ4/A, QHQU, QKA4, QMC8, QMC8/A, QMD6, QMD6/A, QME4, QME4/A, QMP4, QMX2, QMX2/A, QMXC, QMZ2, QNT, QPU, QW24, QWA4, QWA4/A, QWW2, QWX2, QWX2/A, QX2, QX2/A, QX26, QX4, QX4/A, QX7, QX9, QX9/A, QXC4, QXC9, QXE2, QXE2/A, QXE4, QXE5, QXE5/A, QXE8, QXEB, QXF2, QXGB, QXM2, QXP2, QXS2, QXS2/A, QXU, QXU/A, QXW, QXWE, QXWE/A, RH2, RH2/A, RHG4, RHG4/A, RHQ4, RHQ4/A, RTB2, RX4, RX4/A, RXE2, RXE2/A, RXP2, RXU, RXU/A, S1CY, S1CY/A, SG22, SG24, SG24/A, SHCC, SHCC/A, SHQ4, SHQ4/A, SHQU, SHRY, SHRY/A, SMC7, SMC7/A, SMC9, SMC9/A, SMW2, SMW2/A, SMX4, SMX4/A, SMXC, SMXE, SMXE/A, SSSX2, SSSX2/A, SWG4, SWG4/A, SWX2, SWX2/A, SX2, SX4, SX4/A, SX7, SX9, SX9/A, SXE4, SXE5, SXE5/A, SXS, SXS2, SXS4, SXS4/A, SXU, SXU/A, TCS2, TW24, TX2, TX2/A, TX26, TX4, TX4/A, TXC9, TXDU, TXDU/A, TXU, UXU, UXU/A, VA2, VA2/A, VG25, VG25/A, VG29, VGE2, VGE4, VGE5, VHA9, VHH4, VHH4/A, VMS4, VSD, VSD2, VSD7, VSD9, VSD9/A, VWA2, VX2, VX2/A, VX4, VXE9, VXE9/A, VXU1, VXU1/A, VXW2, WKT2, WKT2/A, WKT4, WKT6	



E-14-1

CARBURETOR(2)



Ref. No.	Part No.	Description	Reqd. QTY						Serial No.	Parts catalogue code
			GX 160	GX 160	GX 160	GX 160	GX 160	GX 160		
			UT1	UT2	UT2X	RT1	RT2	RT2X		
16	16220-ZE1-020	SPACER COMP., CARBURETOR.....	1	1	1	1	1	1	-----	HH26, HH26/A, HHQ4, HX2, HX2/A, HX4, HX4/A, HXE8, HXE8/A, HXU LHN4, LHN4/A, LHQ4, LX2, LX2/A, LX26, LX4, LX4/A, LXM2, LXM2/A LXU, PXU, PXU/A, QA2, QA2/A, QA26, QAX2, QAX4, QAX4/A, QBC2 QBM2, QBM2/A, QBT6, QCB2, QCL, QGR9, QGR9/A, QH26, QH26/A QHG4, QHG4/A, QHQ4, QHQ4/A, QHQ4, QKA4, QMC8, QMC8/A, QMD6 QMD6/A, QME4, QME4/A, QMP4, QMX2, QMX2/A, QMXC, QMZ2, QNT, QPU QW24, QWA4, QWA4/A, QWW2, QWX2, QWX2/A, QX2, QX2/A, QX26, QX4 QX4/A, QX7, QX9, QX9/A, QXC4, QXC9, QXE2, QXE2/A, QXE4, QXE5 QXE5/A, QXE8, QXEB, QXF2, QXGB, QXM2, QXP2, QXS2, QXS2/A, QXU QXU/A, QXW, QXWE, QXWE/A, RH2, RH2/A, RHG4, RHG4/A, RHQ4 RHQ4/A, RTB2, RX4, RX4/A, RXE2, RXE2/A, RXP2, RXU, RXU/A, S1CY S1CY/A, SG22, SG24, SG24/A, SHCC, SHCC/A, SHQ4, SHQ4/A, SHQU SHRY, SHRY/A, SMC7, SMC7/A, SMC9, SMC9/A, SMW2, SMW2/A, SMX4 SMX4/A, SMXC, SMXE, SMXE/A, SSS2, SSS2/A, SWG4, SWG4/A, SWX2 SWX2/A, SX2, SX4, SX4/A, SX7, SX9, SX9/A, SXE4, SXE5, SXE5/A SXS, SXS2, SXS4, SXS4/A, SXU, SXU/A, TCS2, TW24, TX2, TX2/A TX26, TX4, TX4/A, TXC9, TXDU, TXDU/A, TXU, UXU, UXU/A, VA2 VA2/A, VG25, VG25/A, VG29, VGE2, VGE4, VGE5, VHA9, VHH4 VHH4/A, VMS4, VSD, VSD2, VSD7, VSD9, VSD9/A, VWA2, VX2, VX2/A VX4, VXE9, VXE9/A, VXU1, VXU1/A, VXW2, WKT2, WKT2/A, WKT4 WKT6

E-14-1

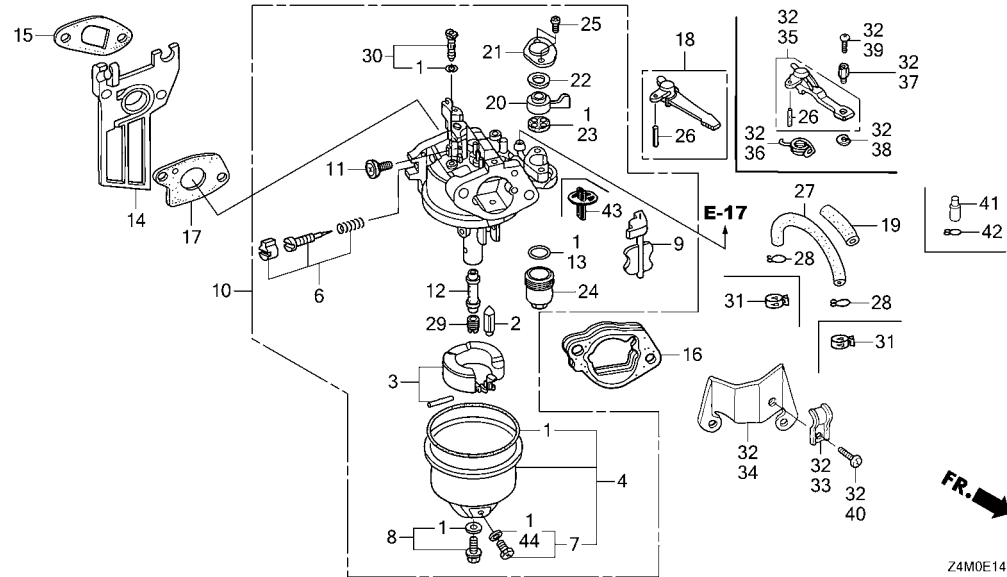
CARBURETOR(2)

Ref. No.	Part No.	Description	Reqd. QTY							Serial No.	Parts catalogue code
			GX 160	GX 160	GX 160	GX 160	GX 160	GX 160			
			UT1	UT2	UT2X	RT1	RT2	RT2X			
17	16221-ZH8-801	PACKING, CARBURETOR.....	1	1	1	1	1	1	-----	HH26, HH26/A, HHQ4, HX2, HX2/A, HX4, HX4/A, HXE8, HXE8/A, HXU LHN4, LHN4/A, LHQ4, LX2, LX2/A, LX26, LX4, LX4/A, LXM2, LXM2/A LXU, PXU, PXU/A, QA2, QA2/A, QA26, QAX2, QAX4, QAX4/A, QBC2 QBM2, QBM2/A, QBT6, QCB2, QCL, QGR9, QGR9/A, QH26, QH26/A QHG4, QHG4/A, QHQ4, QHQ4/A, QHQ4, QKA4, QMC8, QMC8/A, QMD6 QMD6/A, QME4, QME4/A, QMP4, QMX2, QMX2/A, QMXC, QMZ2, QNT, QPU QW24, QWA4, QWA4/A, QWW2, QWX2, QWX2/A, QX2, QX2/A, QX26, QX4 QX4/A, QX7, QX9, QX9/A, QXC4, QXC9, QXE2, QXE2/A, QXE4, QXE5 QXE5/A, QXE8, QXEB, QXF2, QXGB, QXM2, QXP2, QXS2, QXS2/A, QXU QXU/A, QXW, QXWE, QXWE/A, RH2, RH2/A, RHG4, RHG4/A, RHQ4 RHQ4/A, RTB2, RX4, RX4/A, RXE2, RXE2/A, RXP2, RXU, RXU/A, S1CY S1CY/A, SG22, SG24, SG24/A, SHCC, SHCC/A, SHQ4, SHQ4/A, SHQU SHRY, SHRY/A, SMC7, SMC7/A, SMC9, SMC9/A, SMW2, SMW2/A, SMX4 SMX4/A, SMXC, SMXE, SMXE/A, SSS2, SSS2/A, SWG4, SWG4/A, SWX2 SWX2/A, SX2, SX4, SX4/A, SX7, SX9, SX9/A, SXE4, SXE5, SXE5/A SXS, SXS2, SXS4, SXS4/A, SXU, SXU/A, TCS2, TW24, TX2, TX2/A TX26, TX4, TX4/A, TXC9, TXDU, TXDU/A, TXU, UXU, UXU/A, VA2 VA2/A, VG25, VG25/A, VG29, VGE2, VGE4, VGE5, VHA9, VHH4 VHH4/A, VMS4, VSD, VSD2, VSD7, VSD9, VSD9/A, VWA2, VX2, VX2/A VX4, VXE9, VXE9/A, VXU1, VXU1/A, VXX2, WKT2, WKT2/A, WKT4 WKT6	
18	16610-ZE1-000	LEVER COMP., CHOKE(STD.).....	1	1	1	1	1	1	-----	HH26, HH26/A, HHQ4, HX2, HX2/A, HX4, HX4/A, HXE8, HXE8/A, HXU LHN4, LHN4/A, LHQ4, LX2, LX2/A, LX26, LX4, LX4/A, LXM2, LXM2/A LXU, PXU, PXU/A, QA2, QA2/A, QA26, QAX2, QAX4, QAX4/A, QBC2 QBM2, QBM2/A, QBT6, QCB2, QCL, QGR9, QGR9/A, QH26, QH26/A QHG4, QHG4/A, QHQ4, QHQ4/A, QHQ4, QKA4, QMC8, QMC8/A, QMD6 QMD6/A, QME4, QME4/A, QMP4, QMX2, QMX2/A, QMXC, QMZ2, QNT, QPU QW24, QWA4, QWA4/A, QWW2, QWX2, QWX2/A, QX2, QX2/A, QX26, QX4 QX4/A, QX7, QX9, QX9/A, QXC4, QXC9, QXE2, QXE2/A, QXE4, QXE5 QXE5/A, QXE8, QXEB, QXF2, QXGB, QXM2, QXP2, QXS2, QXS2/A, QXU QXU/A, RH2, RH2/A, RHG4, RHG4/A, RHQ4, RHQ4/A, RTB2, RX4 RX4/A, RXE2, RXE2/A, RXP2, RXU, RXU/A, S1CY, S1CY/A, SG22 SG24, SG24/A, SHCC, SHCC/A, SHQ4, SHQ4/A, SHQU, SHRY, SHRY/A SMC7, SMC7/A, SMC9, SMC9/A, SMW2, SMW2/A, SMX4, SMX4/A, SMXC SMXE, SMXE/A, SSS2, SSS2/A, SWX2, SWX2/A, SX2, SX4, SX4/A, SX7 SX9, SX9/A, SXE4, SXE5, SXE5/A, SXS, SXS2, SXS4, SXS4/A, SXU SXU/A, TCS2, TW24, TX2, TX2/A, TX26, TX4, TX4/A, TXC9, TXDU TXDU/A, TXU, UXU, UXU/A, VA2, VA2/A, VG25, VG25/A, VG29, VGE2 VGE4, VGE5, VHA9, VHH4, VHH4/A, VMS4, VSD, VSD2, VSD7, VSD9 VSD9/A, VWA2, VX2, VX2/A, VX4, VXE9, VXE9/A, VXU1, VXU1/A VXX2, WKT2, WKT2/A, WKT4, WKT6	
19	16854-ZG0-960 16854-ZH8-000	RUBBER, SUPPORTER..... RUBBER, SUPPORTER(107MM).....	1	-	-	-	-	-	-----	QCL SWG4	



E-14-1

CARBURETOR(2)



Ref. No.	Part No.	Description	Reqd. QTY						Serial No.	Parts catalogue code
			GX 160 UT1	GX 160 UT2	GX 160 UT2X	GX 160 RT1	GX 160 RT2	GX 160 RT2X		
20	16953-ZE1-812	LEVER, COCK.....	1	1	1	1	1	1	-----	HH26, HH26/A, HHQ4, HX2, HX2/A, HX4, HX4/A, HXE8, HXE8/A, HXU LHN4, LHN4/A, LHQ4, LX2, LX2/A, LX26, LX4, LX4/A, LXM2, LXM2/A LXU, PXU, PXU/A, QA2, QA2/A, QA26, QAX2, QAX4, QAX4/A, QBC2 QBM2, QBM2/A, QBT6, QCB2, QCL, QGR9, QGR9/A, QH26, QH26/A QHG4, QHG4/A, QHQ4, QHQ4/A, QHQ4, QKA4, QMC8, QMC8/A, QMD6 QMD6/A, QME4, QME4/A, QMP4, QMX2, QMX2/A, QMXC, QMZ2, QNT, QPU QW24, QWA4, QWA4/A, QWW2, QWX2, QWX2/A, QX2, QX2/A, QX26, QX4 QX4/A, QX7, QX9, QX9/A, QXC4, QXC9, QXE2, QXE2/A, QXE4, QXE5 QXE5/A, QXE8, QXEB, QXF2, QXGB, QXM2, QXP2, QXS2, QXS2/A, QXU QXU/A, QXW, QXWE, QXWE/A, RH2, RH2/A, RHG4, RHG4/A, RHQ4 RHQ4/A, RTB2, RX4, RX4/A, RXE2, RXE2/A, RXP2, RXU, RXU/A, S1CY S1CY/A, SG22, SG24, SG24/A, SHCC, SHCC/A, SHQ4, SHQ4/A, SHQU SHRY, SHRY/A, SMC7, SMC7/A, SMC9, SMC9/A, SMW2, SMW2/A, SMX4 SMX4/A, SMXC, SMXE, SMXE/A, SSS2, SSS2/A, SWG4, SWG4/A, SWX2 SWX2/A, SX2, SX4, SX4/A, SX7, SX9, SX9/A, SXE4, SXE5, SXE5/A SXS, SXS2, SXS4, SXS4/A, SXU, SXU/A, TCS2, TW24, TX2, TX2/A TX26, TX4, TX4/A, TXC9, TXDU, TXDU/A, TXU, UXU, UXU/A, VA2 VA2/A, VG25, VG25/A, VG29, VGE2, VGE4, VGE5, VHA9, VHH4 VHH4/A, VMS4, VSD, VSD2, VSD7, VSD9, VSD9/A, VWA2, VX2, VX2/A VX4, VXE9, VXE9/A, VXU1, VXU1/A, VXW2, WKT2, WKT2/A, WKT4 WKT6



E-14-1

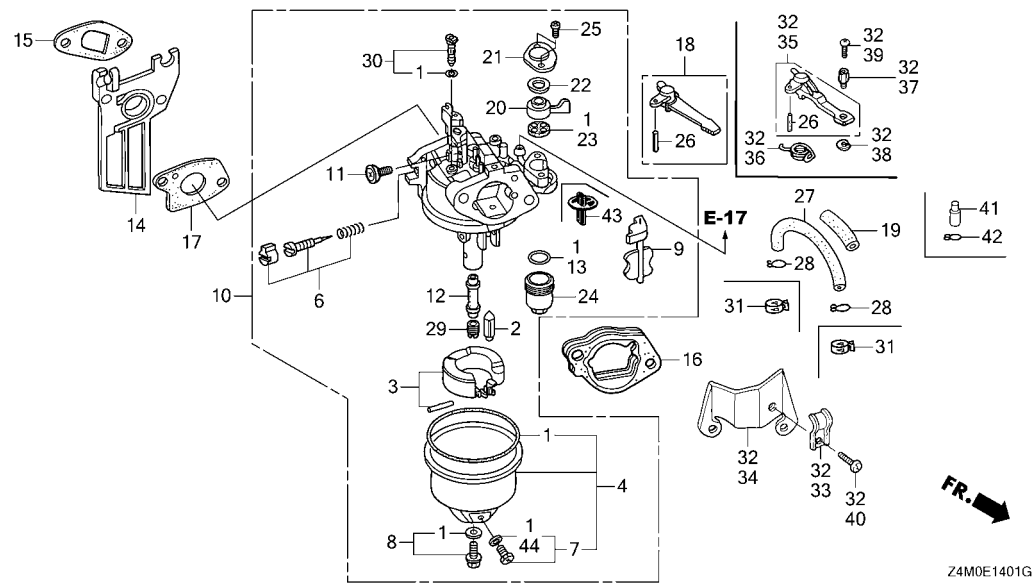
CARBURETOR(2)

Ref. No.	Part No.	Description	Reqd. QTY							Serial No.	Parts catalogue code
			GX 160 UT1	GX 160 UT2	GX 160 UT2X	GX 160 RT1	GX 160 RT2	GX 160 RT2X			
21	16954-ZE1-812	PLATE, LEVER SETTING.....	1	1	1	1	1	1	-----	HH26, HH26/A, HHQ4, HX2, HX2/A, HX4, HX4/A, HXE8, HXE8/A, HXU LHN4, LHN4/A, LHQ4, LX2, LX2/A, LX26, LX4, LX4/A, LXM2, LXM2/A LXU, PXU, PXU/A, QA2, QA2/A, QA26, QAX2, QAX4, QAX4/A, QBC2 QBM2, QBM2/A, QBT6, QCB2, QCL, QGR9, QGR9/A, QH26, QH26/A QHG4, QHG4/A, QHQ4, QHQ4/A, QHQ4, QKA4, QMC8, QMC8/A, QMD6 QMD6/A, QME4, QME4/A, QMP4, QMX2, QMX2/A, QMXC, QMZ2, QNT, QPU QW24, QWA4, QWA4/A, QWW2, QWX2, QWX2/A, QX2, QX2/A, QX26, QX4 QX4/A, QX7, QX9, QX9/A, QXC4, QXC9, QXE2, QXE2/A, QXE4, QXE5 QXE5/A, QXE8, QXEB, QXF2, QXGB, QXM2, QXP2, QXS2, QXS2/A, QXU QXU/A, QXW, QXWE, QXWE/A, RH2, RH2/A, RHG4, RHG4/A, RHQ4 RHQ4/A, RTB2, RX4, RX4/A, RXE2, RXE2/A, RXP2, RXU, RXU/A, S1CY S1CY/A, SG22, SG24, SG24/A, SHCC, SHCC/A, SHQ4, SHQ4/A, SHQU SHRY, SHRY/A, SMC7, SMC7/A, SMC9, SMC9/A, SMW2, SMW2/A, SMX4 SMX4/A, SMXC, SMXE, SMXE/A, SSS2, SSS2/A, SWG4, SWG4/A, SWX2 SWX2/A, SX2, SX4, SX4/A, SX7, SX9, SX9/A, SXE4, SXE5, SXE5/A SXS, SXS2, SXS4, SXS4/A, SXU, SXU/A, TCS2, TW24, TX2, TX2/A TX26, TX4, TX4/A, TXC9, TXDU, TXDU/A, TXU, UXU, UXU/A, VA2 VA2/A, VG25, VG25/A, VG29, VGE2, VGE4, VGE5, VHA9, VHH4 VHH4/A, VMS4, VSD, VSD2, VSD7, VSD9, VSD9/A, VWA2, VX2, VX2/A VX4, VXE9, VXE9/A, VXU1, VXU1/A, VXX2, WKT2, WKT2/A, WKT4 WKT6	
22	16956-ZE1-811	SPRING, COCK LEVER.....	1	1	1	1	1	1	-----	HH26, HH26/A, HHQ4, HX2, HX2/A, HX4, HX4/A, HXE8, HXE8/A, HXU LHN4, LHN4/A, LHQ4, LX2, LX2/A, LX26, LX4, LX4/A, LXM2, LXM2/A LXU, PXU, PXU/A, QA2, QA2/A, QA26, QAX2, QAX4, QAX4/A, QBC2 QBM2, QBM2/A, QBT6, QCB2, QCL, QGR9, QGR9/A, QH26, QH26/A QHG4, QHG4/A, QHQ4, QHQ4/A, QHQ4, QKA4, QMC8, QMC8/A, QMD6 QMD6/A, QME4, QME4/A, QMP4, QMX2, QMX2/A, QMXC, QMZ2, QNT, QPU QW24, QWA4, QWA4/A, QWW2, QWX2, QWX2/A, QX2, QX2/A, QX26, QX4 QX4/A, QX7, QX9, QX9/A, QXC4, QXC9, QXE2, QXE2/A, QXE4, QXE5 QXE5/A, QXE8, QXEB, QXF2, QXGB, QXM2, QXP2, QXS2, QXS2/A, QXU QXU/A, QXW, QXWE, QXWE/A, RH2, RH2/A, RHG4, RHG4/A, RHQ4 RHQ4/A, RTB2, RX4, RX4/A, RXE2, RXE2/A, RXP2, RXU, RXU/A, S1CY S1CY/A, SG22, SG24, SG24/A, SHCC, SHCC/A, SHQ4, SHQ4/A, SHQU SHRY, SHRY/A, SMC7, SMC7/A, SMC9, SMC9/A, SMW2, SMW2/A, SMX4 SMX4/A, SMXC, SMXE, SMXE/A, SSS2, SSS2/A, SWG4, SWG4/A, SWX2 SWX2/A, SX2, SX4, SX4/A, SX7, SX9, SX9/A, SXE4, SXE5, SXE5/A SXS, SXS2, SXS4, SXS4/A, SXU, SXU/A, TCS2, TW24, TX2, TX2/A TX26, TX4, TX4/A, TXC9, TXDU, TXDU/A, TXU, UXU, UXU/A, VA2 VA2/A, VG25, VG25/A, VG29, VGE2, VGE4, VGE5, VHA9, VHH4 VHH4/A, VMS4, VSD, VSD2, VSD7, VSD9, VSD9/A, VWA2, VX2, VX2/A VX4, VXE9, VXE9/A, VXU1, VXU1/A, VXX2, WKT2, WKT2/A, WKT4 WKT6	



E-14-1

CARBURETOR(2)



Ref. No.	Part No.	Description	Reqd. QTY						Serial No.	Parts catalogue code
			GX 160 UT1	GX 160 UT2	GX 160 UT2X	GX 160 RT1	GX 160 RT2	GX 160 RT2X		
23	16957-ZE1-812	PACKING, FUEL COCK.....	1	1	1	1	1	1	-----	HH26, HH26/A, HHQ4, HX2, HX2/A, HX4, HX4/A, HXE8, HXE8/A, HXU LHN4, LHN4/A, LHQ4, LX2, LX2/A, LX26, LX4, LX4/A, LXM2, LXM2/A LXU, PXU, PXU/A, QA2, QA2/A, QA26, QAX2, QAX4, QAX4/A, QBC2 QBM2, QBM2/A, QBT6, QCB2, QCL, QGR9, QGR9/A, QH26, QH26/A QHG4, QHG4/A, QHQ4, QHQ4/A, QHQ4, QKA4, QMC8, QMC8/A, QMD6 QMD6/A, QME4, QME4/A, QMP4, QMX2, QMX2/A, QMXC, QMZ2, QNT, QPU QW24, QWA4, QWA4/A, QWW2, QWX2, QWX2/A, QX2, QX2/A, QX26, QX4 QX4/A, QX7, QX9, QX9/A, QXC4, QXC9, QXE2, QXE2/A, QXE4, QXE5 QXE5/A, QXE8, QXEB, QXF2, QXGB, QXM2, QXP2, QXS2, QXS2/A, QXU QXU/A, QXW, QXWE, QXWE/A, RH2, RH2/A, RHG4, RHG4/A, RHQ4 RHQ4/A, RTB2, RX4, RX4/A, RXE2, RXE2/A, RXP2, RXU, RXU/A, S1CY S1CY/A, SG22, SG24, SG24/A, SHCC, SHCC/A, SHQ4, SHQ4/A, SHQU SHRY, SHRY/A, SMC7, SMC7/A, SMC9, SMC9/A, SMW2, SMW2/A, SMX4 SMX4/A, SMXC, SMXE, SMXE/A, SSS2, SSS2/A, SWG4, SWG4/A, SWX2 SWX2/A, SX2, SX4, SX4/A, SX7, SX9, SX9/A, SXE4, SXE5, SXE5/A SXS, SXS2, SXS4, SXS4/A, SXU, SXU/A, TCS2, TW24, TX2, TX2/A TX26, TX4, TX4/A, TXC9, TXDU, TXDU/A, TXU, UXU, UXU/A, VA2 VA2/A, VG25, VG25/A, VG29, VGE2, VGE4, VGE5, VHA9, VHH4 VHH4/A, VMS4, VSD, VSD2, VSD7, VSD9, VSD9/A, VWA2, VX2, VX2/A VX4, VXE9, VXE9/A, VXU1, VXU1/A, VXW2, WKT2, WKT2/A, WKT4 WKT6



E-14-1

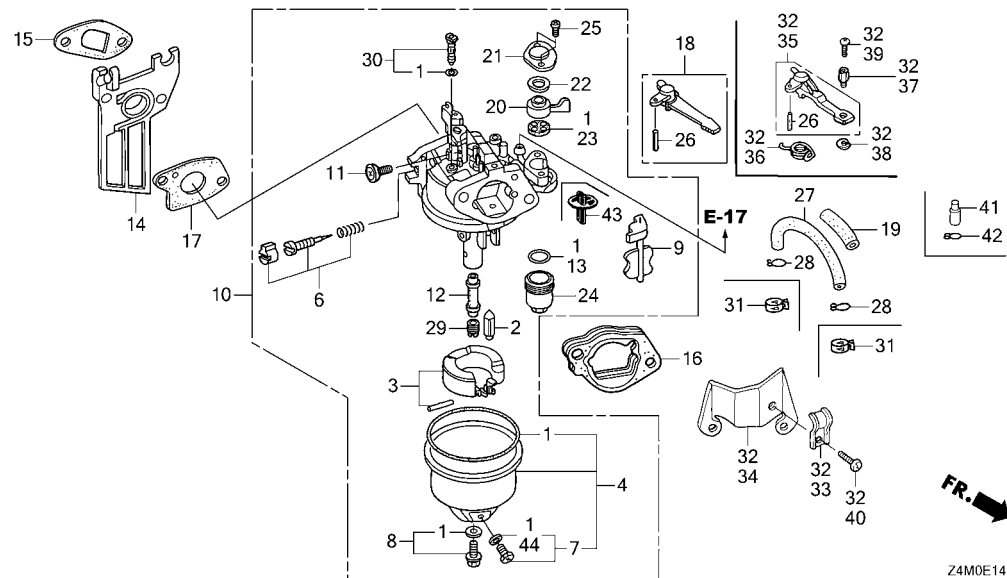
CARBURETOR(2)

Ref. No.	Part No.	Description	Reqd. QTY							Serial No.	Parts catalogue code
			GX 160 UT1	GX 160 UT2	GX 160 UT2X	GX 160 RT1	GX 160 RT2	GX 160 RT2X			
24	16967-ZE0-811	CUP, FUEL STRAINER	1	1	1	1	1	1	-----	HH26, HH26/A, HHQ4, HX2, HX2/A, HX4, HX4/A, HXE8, HXE8/A, HXU LHN4, LHN4/A, LHQ4, LX2, LX2/A, LX26, LX4, LX4/A, LXM2, LXM2/A LXU, PXU, PXU/A, QA2, QA2/A, QA26, QAX2, QAX4, QAX4/A, QBC2 QBM2, QBM2/A, QBT6, QCB2, QCL, QGR9, QGR9/A, QH26, QH26/A QHG4, QHG4/A, QHQ4, QHQ4/A, QHQ4, QKA4, QMC8, QMC8/A, QMD6 QMD6/A, QME4, QME4/A, QMP4, QMX2, QMX2/A, QMXC, QMZ2, QNT, QPU QW24, QWA4, QWA4/A, QWW2, QWX2, QWX2/A, QX2, QX2/A, QX26, QX4 QX4/A, QX7, QX9, QX9/A, QXC4, QXC9, QXE2, QXE2/A, QXE4, QXE5 QXE5/A, QXE8, QXEB, QXF2, QXGB, QXM2, QXP2, QXS2, QXS2/A, QXU QXU/A, QXW, QXWE, QXWE/A, RH2, RH2/A, RHG4, RHG4/A, RHQ4 RHQ4/A, RTB2, RX4, RX4/A, RXE2, RXE2/A, RXP2, RXU, RXU/A, S1CY S1CY/A, SG22, SG24, SG24/A, SHCC, SHCC/A, SHQ4, SHQ4/A, SHQU SHRY, SHRY/A, SMC7, SMC7/A, SMC9, SMC9/A, SMW2, SMW2/A, SMX4 SMX4/A, SMXC, SMXE, SMXE/A, SSS2, SSS2/A, SWG4, SWG4/A, SWX2 SWX2/A, SX2, SX4, SX4/A, SX7, SX9, SX9/A, SXE4, SXE5, SXE5/A SXS, SXS2, SXS4, SXS4/A, SXU, SXU/A, TCS2, TW24, TX2, TX2/A TX26, TX4, TX4/A, TXC9, TXDU, TXDU/A, TXU, UXU, UXU/A, VA2 VA2/A, VG25, VG25/A, VG29, VGE2, VGE4, VGE5, VHA9, VHH4 VHH4/A, VMS4, VSD, VSD2, VSD7, VSD9, VSD9/A, VWA2, VX2, VX2/A VX4, VXE9, VXE9/A, VXU1, VXU1/A, VXX2, WKT2, WKT2/A, WKT4 WKT6	
25	93500-03006-1H	SCREW, PAN, 3X6	2	2	2	2	2	2	-----	HH26, HH26/A, HHQ4, HX2, HX2/A, HX4, HX4/A, HXE8, HXE8/A, HXU LHN4, LHN4/A, LHQ4, LX2, LX2/A, LX26, LX4, LX4/A, LXM2, LXM2/A LXU, PXU, PXU/A, QA2, QA2/A, QA26, QAX2, QAX4, QAX4/A, QBC2 QBM2, QBM2/A, QBT6, QCB2, QCL, QGR9, QGR9/A, QH26, QH26/A QHG4, QHG4/A, QHQ4, QHQ4/A, QHQ4, QKA4, QMC8, QMC8/A, QMD6 QMD6/A, QME4, QME4/A, QMP4, QMX2, QMX2/A, QMXC, QMZ2, QNT, QPU QW24, QWA4, QWA4/A, QWW2, QWX2, QWX2/A, QX2, QX2/A, QX26, QX4 QX4/A, QX7, QX9, QX9/A, QXC4, QXC9, QXE2, QXE2/A, QXE4, QXE5 QXE5/A, QXE8, QXEB, QXF2, QXGB, QXM2, QXP2, QXS2, QXS2/A, QXU QXU/A, QXW, QXWE, QXWE/A, RH2, RH2/A, RHG4, RHG4/A, RHQ4 RHQ4/A, RTB2, RX4, RX4/A, RXE2, RXE2/A, RXP2, RXU, RXU/A, S1CY S1CY/A, SG22, SG24, SG24/A, SHCC, SHCC/A, SHQ4, SHQ4/A, SHQU SHRY, SHRY/A, SMC7, SMC7/A, SMC9, SMC9/A, SMW2, SMW2/A, SMX4 SMX4/A, SMXC, SMXE, SMXE/A, SSS2, SSS2/A, SWG4, SWG4/A, SWX2 SWX2/A, SX2, SX4, SX4/A, SX7, SX9, SX9/A, SXE4, SXE5, SXE5/A SXS, SXS2, SXS4, SXS4/A, SXU, SXU/A, TCS2, TW24, TX2, TX2/A TX26, TX4, TX4/A, TXC9, TXDU, TXDU/A, TXU, UXU, UXU/A, VA2 VA2/A, VG25, VG25/A, VG29, VGE2, VGE4, VGE5, VHA9, VHH4 VHH4/A, VMS4, VSD, VSD2, VSD7, VSD9, VSD9/A, VWA2, VX2, VX2/A VX4, VXE9, VXE9/A, VXU1, VXU1/A, VXX2, WKT2, WKT2/A, WKT4 WKT6	



E-14-1

CARBURETOR(2)



Z4M0E1401G

Ref. No.	Part No.	Description	Reqd. QTY						Serial No.	Parts catalogue code	
			GX 160 UT1	GX 160 UT2	GX 160 UT2X	GX 160 RT1	GX 160 RT2	GX 160 RT2X			
26	94305-20122	PIN, SPRING, 2X12	1	1	1	1	1	1	-----	HH26, HH26/A, HHQ4, HX2, HX2/A, HX4, HX4/A, HXE8, HXE8/A, HXU LHN4, LHN4/A, LHQ4, LX2, LX2/A, LX26, LX4, LX4/A, LXM2, LXM2/A LXU, PXU, PXU/A, QA2, QA2/A, QA26, QAX2, QAX4, QAX4/A, QBC2 QBM2, QBM2/A, QBT6, QCB2, QCL, QGR9, QGR9/A, QH26, QH26/A QHG4, QHG4/A, QHQ4, QHQ4/A, QHQ4, QKA4, QMC8, QMC8/A, QMD6 QMD6/A, QME4, QME4/A, QMP4, QMX2, QMX2/A, QMXC, QMZ2, QNT, QPU QW24, QWA4, QWA4/A, QWW2, QWX2, QWX2/A, QX2, QX2/A, QX26, QX4 QX4/A, QX7, QX9, QX9/A, QXC4, QXC9, QXE2, QXE2/A, QXE4, QXE5 QXE5/A, QXE8, QXEB, QXF2, QXGB, QXM2, QXP2, QXS2, QXS2/A, QXU QXU/A, QXW, QXWE, QXWE/A, RH2, RH2/A, RHG4, RHG4/A, RHQ4 RHQ4/A, RTB2, RX4, RX4/A, RXE2, RXE2/A, RXP2, RXU, RXU/A, S1CY S1CY/A, SG22, SG24, SG24/A, SHCC, SHCC/A, SHQ4, SHQ4/A, SHQU SHRY, SHRY/A, SMC7, SMC7/A, SMC9, SMC9/A, SMW2, SMW2/A, SMX4 SMX4/A, SMXC, SMXE, SMXE/A, SSS2, SSS2/A, SWG4, SWG4/A, SWX2 SWX2/A, SX2, SX4, SX4/A, SX7, SX9, SX9/A, SXE4, SXE5, SXE5/A SXS, SXS2, SXS4, SXS4/A, SXU, SXU/A, TCS2, TW24, TX2, TX2/A TX26, TX4, TX4/A, TXC9, TXDU, TXDU/A, TXU, UXU, UXU/A, VA2 VA2/A, VG25, VG25/A, VG29, VGE2, VGE4, VGE5, VHA9, VHH4 VHH4/A, VMS4, VSD, VSD2, VSD7, VSD9, VSD9/A, VWA2, VX2, VX2/A VX4, VXE9, VXE9/A, VXU1, VXU1/A, VXW2, WKT2, WKT2/A, WKT4 WKT6	
27	95001-45300-40	TUBE, FUEL, 4.5X300 (95001-45001-60M)	1	-	-	-	-	-	-----	1699489 QCL	
	91424-Z4J-811	TUBE, FUEL, 4.5X300(FKM)	1	-	-	-	-	-	1699490	-----	QCL
	91424-Z4J-812	-	-	-	1	-	-	-----	-----	SWG4
	91424-Z9K-831	TUBE, FUEL, 4.2X300(FKM)	-	-	-	-	1	-	-----	-----	SWG4/A
	91424-Z4J-812	TUBE, FUEL, 4.5X300(FKM)	-	-	-	-	1	-	-----	-----	1652562 SWG4
	91424-Z9K-831	TUBE, FUEL, 4.2X300(FKM)	-	-	-	-	1	-	1652563	-----	SWG4
28	95002-02080	CLIP, TUBE(B8)	2	-	-	-	-	-	-----	-----	1699489 QCL

E-14-1

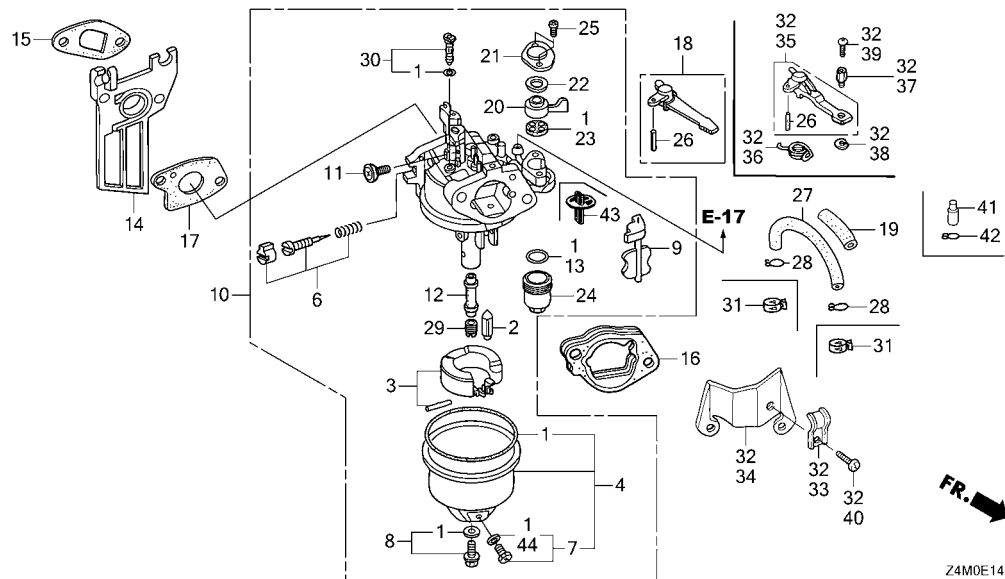
CARBURETOR(2)

Ref. No.	Part No.	Description	Reqd. QTY						Serial No.	Parts catalogue code
			GX 160 UT1	GX 160 UT2	GX 160 UT2X	GX 160 RT1	GX 160 RT2	GX 160 RT2X		
29	99101-ZH8-0650	JET, MAIN, #65	(1)	(1)	-	(1)	(1)	-	HH26, HHQ4, HX2, HX4, HXE8, HXU, LHN4, LHQ4, LX2, LX26, LX4 LXM2, LXU, PXU, QA2, QA26, QAX2, QAX4, QBC2, QBM2, QBT6, QCB2 QCL, QGR9, QH26, QHG4, QHQ4, QHQ4, QHQ4, QKA4, QMC8, QMD6, QME4, QMP4 QMX2, QMXC, QMZ2, QNT, QPU, QW24, QWA4, QWW2, QWX2, QX2, QX26 QX4, QX7, QX9, QXC4, QXC9, QXE2, QXE4, QXE5, QXE8, QXF2, QXM2 QXP2, QXS2, QXU, QXW, QXWE, RH2, RHG4, RHQ4, RTB2, RX4, RXE2 RXP2, RXU, S1CY, SG22, SG24, SHCC, SHQ4, SHQU, SHRY, SMC7, SMC9 SMM2, SMX4, SMXC, SMXE, SSSX2, SWG4, SWX2, SX2, SX4, SX7, SX9 SXE4, SXE5, SXS, SXS2, SXS4, SXU, TCS2, TW24, TX2, TX26, TX4 TXC9, TXDU, TXU, UXU, VA2, VG25, VG29, VGE2, VGE4, VGE5, VHA9 VHH4, VMS4, VSD, VSD2, VSD7, VSD9, VWA2, VX2, VX4, VXE9, VXU1 VXW2, WKT2, WKT4, WKT6	
	99101-ZH8-0680	JET, MAIN, #68	(1)	-	-	(1)	-	-	HH26, HHQ4, HX2, HX4, HXE8, HXU, LHQ4, LX2, LX26, LX4, LXU, PXU QA2, QA26, QAX2, QAX4, QBC2, QBM2, QBT6, QCB2, QCL, QGR9, QH26 QHG4, QHQ4, QHQ4, QKA4, QMC8, QMD6, QME4, QMP4, QMZ2, QNT, QPU QW24, QWA4, QWW2, QWX2, QX2, QX26, QX4, QX7, QX9, QXE2, QXE4 QXE5, QXE8, QXF2, QXP2, QXS2, QXU, QXW, QXWE, RH2, RHG4, RHQ4 RTB2, RX4, RXE2, RXP2, RXU, SG22, SG24, SHQ4, SHQU, SMC7, SMC9 SSSX2, SWG4, SWX2, SX2, SX4, SX7, SX9, SXE4, SXE5, SXS, SXS2 SXS4, SXU, TCS2, TW24, TX2, TX26, TX4, TXDU, TXU, UXU, VA2, VGE2 VGE4, VGE5, VHA9, VHH4, VMS4, VSD, VSD2, VSD7, VSD9, VWA2, VX2 VX4, VXE9, VXU1, VXW2, WKT2, WKT4, WKT6	
	99101-ZH8-0700	JET, MAIN, #70	1	-	-	1	-	-	HH26, HHQ4, HX2, HX4, HXE8, HXU, LHQ4, LX2, LX26, LX4, LXU, PXU QA2, QA26, QAX2, QAX4, QBC2, QBM2, QBT6, QCB2, QCL, QGR9, QH26 QHG4, QHQ4, QHQ4, QKA4, QMC8, QMD6, QME4, QMP4, QMZ2, QNT, QPU QW24, QWA4, QWW2, QWX2, QX2, QX26, QX4, QX7, QX9, QXE2, QXE4 QXE5, QXE8, QXF2, QXP2, QXS2, QXU, QXW, QXWE, RH2, RHG4, RHQ4 RTB2, RX4, RXE2, RXP2, RXU, SG22, SG24, SHQ4, SHQU, SMC7, SMC9 SSSX2, SWG4, SWX2, SX2, SX4, SX7, SX9, SXE4, SXE5, SXS, SXS2 SXS4, SXU, TCS2, TW24, TX2, TX26, TX4, TXDU, TXU, UXU, VA2, VGE2 VGE4, VGE5, VHA9, VHH4, VMS4, VSD, VSD2, VSD7, VSD9, VWA2, VX2 VX4, VXE9, VXU1, VXW2, WKT2, WKT4, WKT6	
	99101-ZH8-0620	JET, MAIN, #62	(1)	-	-	-	-	-	QXC4, QXC9, TXC9, VG29	
	99101-ZH8-0680	JET, MAIN, #68	1	-	-	-	-	-	QXC4, QXC9, TXC9, VG29	
	99101-ZH8-0620	JET, MAIN, #62	-	(1)	-	-	(1)	-	HH26, HH26/A, HHQ4, HX2, HX2/A, HX4, HX4/A, HXE8, HXE8/A, LHN4 LHN4/A, LHQ4, LX2, LX2/A, LX4, LX4/A, LXM2, LXM2/A, PXU, PXU/A QA2/A, QAX2, QAX4, QAX4/A, QBM2/A, QGR9, QGR9/A, QH26, QH26/A QHG4, QHG4/A, QHQ4, QHQ4/A, QMC8/A, QMD6/A, QME4/A, QMX2/A QPU, QWA4/A, QWX2, QWX2/A, QX2, QX2/A, QX4, QX4/A, QX9/A, QXE2 QXE2/A, QXE5, QXE5/A, QXE8, QXEB, QXGB, QXM2, QXS2, QXS2/A QXU, QXU/A, QXWE, QXWE/A, RH2, RH2/A, RHG4/A, RHQ4, RHQ4/A RX4, RX4/A, RXE2, RXE2/A, RXU, RXU/A, S1CY/A, SG24/A, SHCC SHCC/A, SHQ4, SHQ4/A, SHRY, SHRY/A, SMC7/A, SMC9/A, SMM2 SMM2/A, SMX4, SMX4/A, SMXE, SMXE/A, SSSX2/A, SWG4/A, SWX2 SWX2/A, SX4, SX4/A, SX9/A, SXE5, SXE5/A, SXS4, SXS4/A, SXU SXU/A, TX2, TX2/A, TX4, TX4/A, TXDU, TXDU/A, UXU, UXU/A, VA2 VA2/A, VG25, VG25/A, VGE4, VGE5, VHH4, VHH4/A, VSD9/A, VX2 VX2/A, VXE9/A, VXU1, VXU1/A, WKT2, WKT2/A	
	99101-ZH8-0680	JET, MAIN, #68	-	1	-	-	1	-	HH26, HHQ4, HX2, HX4, HXE8, LHN4, LHQ4, LX2, LX4, LXM2, PXU QAX2, QAX4, QGR9, QH26, QHG4, QHQ4, QPU, QWX2, QX2, QX4, QXE2 QXE5, QXE8, QXM2, QXS2, QXU, QXWE, RH2, RHQ4, RX4, RXE2, RXU SHCC, SHQ4, SHRY, SMM2, SMX4, SMXE, SWX2, SX4, SXE5, SXS4, SXU TX2, TX4, TXDU, UXU, VA2, VG25, VGE4, VGE5, VHH4, VX2, VXU1 WKT2	



E-14-1

CARBURETOR(2)



Ref. No.	Part No.	Description	Reqd. QTY						Serial No.	Parts catalogue code
			GX 160 UT1	GX 160 UT2	GX 160 UT2X	GX 160 RT1	GX 160 RT2	GX 160 RT2X		
29)	99101-ZH8-0600	JET, MAIN, #60	-	(1)	-	-	(1)	-	HH26/A, HX2/A, HX4/A, HXE8/A, LHN4/A, LX2/A, LX4/A, LXM2/A, PXU/A, QA2/A, QAX4/A, QBM2/A, QGR9/A, QH26/A, QHG4/A, QHQ4/A, QMC8/A, QMD6/A, QME4/A, QMX2/A, QWA4/A, QWX2/A, QX2/A, QX4/A, QX9/A, QXE2/A, QXE5/A, QXEB, QXGB, QXS2/A, QXU/A, QXWE/A, RH2/A, RHG4/A, RHQ4/A, RX4/A, RXE2/A, RXU/A, S1CY/A, SG24/A, SHCC/A, SHQ4/A, SHRY/A, SMC7/A, SMC9/A, SMM2/A, SMX4/A, SMXE/A, SSX2/A, SWG4/A, SWX2/A, SX4/A, SX9/A, SXE5/A, SXS4/A, SXU/A, TX2/A, TX4/A, TXDU/A, UXU/A, VA2/A, VG25/A, VHH4/A, VSD9/A, VX2/A, VXE9/A, VXU1/A, WKT2/A	
	99101-ZH8-0650	JET, MAIN, #65	-	1	-	-	1	-	HH26/A, HX2/A, HX4/A, HXE8/A, LHN4/A, LX2/A, LX4/A, LXM2/A, PXU/A, QA2/A, QAX4/A, QBM2/A, QGR9/A, QH26/A, QHG4/A, QHQ4/A, QMC8/A, QMD6/A, QME4/A, QMX2/A, QWA4/A, QWX2/A, QX2/A, QX4/A, QX9/A, QXE2/A, QXE5/A, QXEB, QXGB, QXS2/A, QXU/A, QXWE/A, RH2/A, RHG4/A, RHQ4/A, RX4/A, RXE2/A, RXU/A, S1CY/A, SG24/A, SHCC/A, SHQ4/A, SHRY/A, SMC7/A, SMC9/A, SMM2/A, SMX4/A, SMXE/A, SSX2/A, SWG4/A, SWX2/A, SX4/A, SX9/A, SXE5/A, SXS4/A, SXU/A, TX2/A, TX4/A, TXDU/A, UXU/A, VA2/A, VG25/A, VHH4/A, VSD9/A, VX2/A, VXE9/A, VXU1/A, WKT2/A	
	99101-ZH8-0680	JET, MAIN, #68	-	(1)	-	-	(1)	-	QA2, QBC2, QBM2, QMC8, QMD6, QME4, QMP4, QMX2, QMxC, QWA4, QX9, QXC9, RHG4, S1CY, SG24, SMC7, SMC9, SMXC, SSX2, SWG4, SX9, TXC9, VG29, VSD9, VXE9	
	99101-ZH8-0700	JET, MAIN, #70	-	1	-	-	1	-	QA2, QBC2, QBM2, QMC8, QMD6, QME4, QMP4, QMX2, QMxC, QWA4, QX9, QXC9, RHG4, S1CY, SG24, SMC7, SMC9, SMXC, SSX2, SWG4, SX9, TXC9, VG29, VSD9, VXE9	
	99101-ZH8-0600	JET, MAIN, #60	-	-	(1)	-	-	-	HH26, HX2, HX4, HXE8, LX2, LX4, LXM2, PXU, QA2, QAX4, QBM2, QGR9, QH26, QHQ4, QMC8, QMD6, QME4, QMX2, QWA4, QX2, QX4, QX9, QXE2, QXE5, QXEB, QXGB, QXU, QXWE, RH2, RHQ4, RX4, RXE2, S1CY, SG24, SHCC, SHQ4, SHRY, SMC7, SMM2, SMX4, SMXE, SSX2, SWX2, SX4, SXE5, SXS4, SXU, TX2, TX4, TXDU, UXU, VA2, VG25, VSD9, VXE9, WKT2	

E-14-1

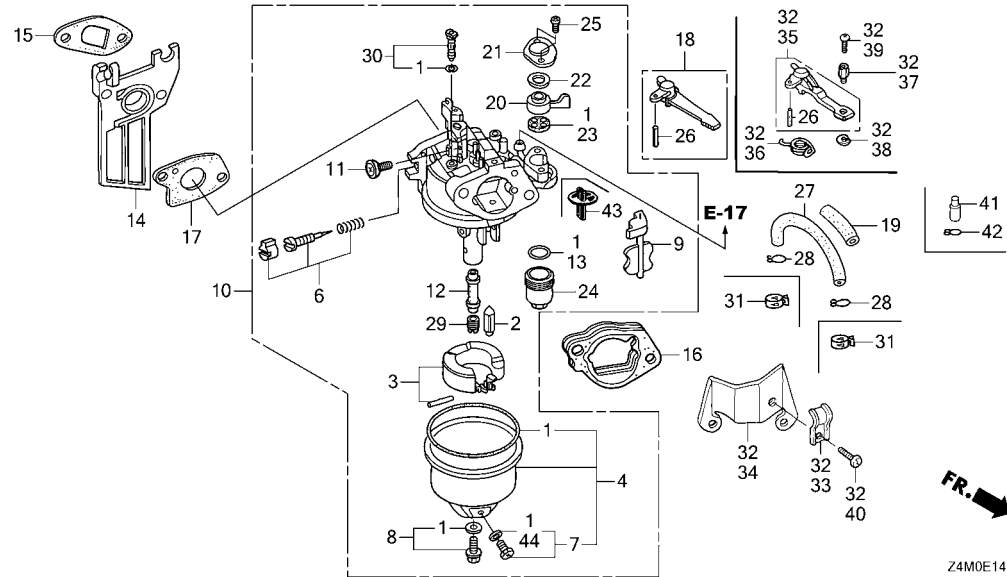
CARBURETOR(2)

Ref. No.	Part No.	Description	Reqd. QTY						Serial No.	Parts catalogue code
			GX 160 UT1	GX 160 UT2	GX 160 UT2X	GX 160 RT1	GX 160 RT2	GX 160 RT2X		
29)	99101-ZH8-0620	JET, MAIN, #62	-	-	(1)	-	-	-	HH26, HX2, HX4, HXE8, LX2, LX4, LXM2, PXU, QA2, QAX4, QBM2, QGR9, QH26, QHQ4, QMC8, QMD6, QME4, QMX2, QWA4, QX2, QX4, QX9, QXE2, QXE5, QXEB, QXGB, QXU, QXWE, RH2, RHQ4, RX4, RXE2, S1CY, SG24, SHCC, SHQ4, SHRY, SMC7, SMM2, SMX4, SMXE, SSX2, SWX2, SX4, SXE5, SXS4, SXU, TX2, TX4, TXDU, UXU, VA2, VG25, VSD9, VXE9, WKT2	
	99101-ZH8-0650	JET, MAIN, #65	-	-	1	-	-	-	HH26, HX2, HX4, HXE8, LX2, LX4, LXM2, PXU, QA2, QAX4, QBM2, QGR9, QH26, QHQ4, QMC8, QMD6, QME4, QMX2, QWA4, QX2, QX4, QX9, QXE2, QXE5, QXEB, QXGB, QXU, QXWE, RH2, RHQ4, RX4, RXE2, S1CY, SG24, SHCC, SHQ4, SHRY, SMC7, SMM2, SMX4, SMXE, SSX2, SWX2, SX4, SXE5, SXS4, SXU, TX2, TX4, TXDU, UXU, VA2, VG25, VSD9, VXE9, WKT2	
	99101-ZH8-0600	JET, MAIN, #60	-	-	-	-	-	(1)	QHG4, RHG4	
	99101-ZH8-0620	JET, MAIN, #62	-	-	-	-	-	(1)	QHG4, RHG4	
	99101-ZH8-0650	JET, MAIN, #65	-	-	-	-	-	1	QHG4, RHG4	
30	99204-ZE0-0350	JET SET, PILOT, #35	1	1	-	1	1	-	HH26, HHQ4, HX2, HX4, HXE8, HXU, LHN4, LHQ4, LX2, LX26, LX4, LXM2, LXU, PXU, QA2, QA26, QAX2, QAX4, QBC2, QBM2, QBT6, QCB2, QCL, QGR9, QH26, QHG4, QHQ4, QHQU, QKA4, QMC8, QMD6, QME4, QMP4, QMX2, QM22, QNT, QPU, QW24, QWA4, QWW2, QWX2, QX2, QX26, QX4, QX7, QX9, QXE2, QXE4, QXE5, QXE8, QXF2, QXM2, QXP2, QXS2, QXU, QXW, QXWE, RH2, RHG4, RHQ4, RTB2, RX4, RXE2, RXP2, RXU, S1CY, SG22, SG24, SHCC, SHQ4, SHQU, SHRY, SMC7, SMC9, SMM2, SMX4, SMXE, SSX2, SWG4, SWX2, SX2, SX4, SX7, SX9, SXE4, SXE5, SXS, SXS2, SXS4, SXU, TCS2, TW24, TX2, TX26, TX4, TXDU, TXU, UXU, VA2, VG25, VGE2, VGE4, VGE5, VHA9, VHH4, VMS4, VSD, VSD2, VSD7, VSD9, VWA2, VX2, VX4, VXE9, VXU1, VXW2, WKT2, WKT4, WKT6	
	99204-ZE0-0400	JET SET, PILOT, #40	1	-	-	-	-	-	QXC4, QXC9, TXC9, VG29	
	99204-ZE2-0400		-	1	-	-	1	-	HH26/A, HX2/A, HX4/A, HXE8/A, LHN4/A, LX2/A, LX4/A, LXM2/A, PXU/A, QA2/A, QAX4/A, QBM2/A, QGR9/A, QH26/A, QHG4/A, QHQ4/A, QMC8/A, QMD6/A, QME4/A, QMX2/A, QWA4/A, QWX2/A, QX2/A, QX4/A, QX9/A, QXE2/A, QXE5/A, QXEB, QXGB, QXS2/A, QXU/A, QXWE/A, RH2/A, RHG4/A, RHQ4/A, RX4/A, RXE2/A, RXU/A, S1CY/A, SG24/A, SHCC/A, SHQ4/A, SHRY/A, SMC7/A, SMC9/A, SMM2/A, SMX4/A, SMXE/A, SSX2/A, SWG4/A, SWX2/A, SX4/A, SX9/A, SXE5/A, SXS4/A, SXU/A, TX2/A, TX4/A, TXDU/A, UXU/A, VA2/A, VG25/A, VHH4/A, VSD9/A, VX2/A, VXE9/A, VXU1/A, WKT2/A	
	99204-ZE0-0380	JET SET, PILOT, #38	-	1	-	-	-	-	QMXC, QXC9, SMXC, TXC9, VG29	
	99204-ZE2-0400	JET SET, PILOT, #40	-	-	1	-	-	-	HH26, HX2, HX4, HXE8, LX2, LX4, LXM2, PXU, QA2, QAX4, QBM2, QGR9, QH26, QHQ4, QMC8, QMD6, QME4, QMX2, QWA4, QX2, QX4, QX9, QXE2, QXE5, QXEB, QXGB, QXU, QXWE, RH2, RHQ4, RX4, RXE2, S1CY, SG24, SHCC, SHQ4, SHRY, SMC7, SMM2, SMX4, SMXE, SSX2, SWX2, SX4, SXE5, SXS4, SXU, TX2, TX4, TXDU, UXU, VA2, VG25, VSD9, VXE9, WKT2	
			-	-	-	-	-	1	QHG4, RHG4	
31	95002-40800-08	CLAMP, TUBE(D8)	2	-	-	-	-	1699490	QCL	
			-	-	-	2	2	-	SWG4, SWG4/A	
32	06164-ZE1-000	CHOKE KIT, REMOTE CONTROL	1	-	-	-	-	-	QXW, QXWE	
33	16582-883-300	HOLDER, CONTROL CABLE	1	-	-	1	-	2746094	QXW, QXWE, SWG4	
	16582-889-U20		1	-	-	1	-	2746095	QXW, QXWE, SWG4	
			-	1	-	-	1	-	QXWE/A, SWG4/A	
	16582-883-300		-	1	-	-	1	-	1253920	QXWE, SWG4
	16582-889-U20		-	1	-	-	1	-	1253921	QXWE, SWG4
			-	-	1	-	-	-	QXWE	
34	16598-ZE1-000	STAY, CHOKE CONTROL	1	1	1	1	1	-	QXW, QXWE, QXWE/A, SWG4, SWG4/A	
35	16610-ZE1-810	LEVER COMP., CHOKE(REMOTE)	1	1	1	1	1	-	QXW, QXWE, QXWE/A, SWG4, SWG4/A	
36	16615-ZE1-010	SPRING, RETURN	1	1	1	1	1	-	QXW, QXWE, QXWE/A, SWG4, SWG4/A	
37	16617-890-010	HOLDER, CABLE	1	1	1	1	1	-	QXW, QXWE, QXWE/A, SWG4, SWG4/A	
38	90605-230-000	CIRCLIP, 5MM	1	1	1	1	1	-	QXW, QXWE, QXWE/A, SWG4, SWG4/A	
39	93500-04008-0A	SCREW, PAN, 4X8	1	1	1	1	1	-	QXW, QXWE, QXWE/A, SWG4, SWG4/A	



E-14-1

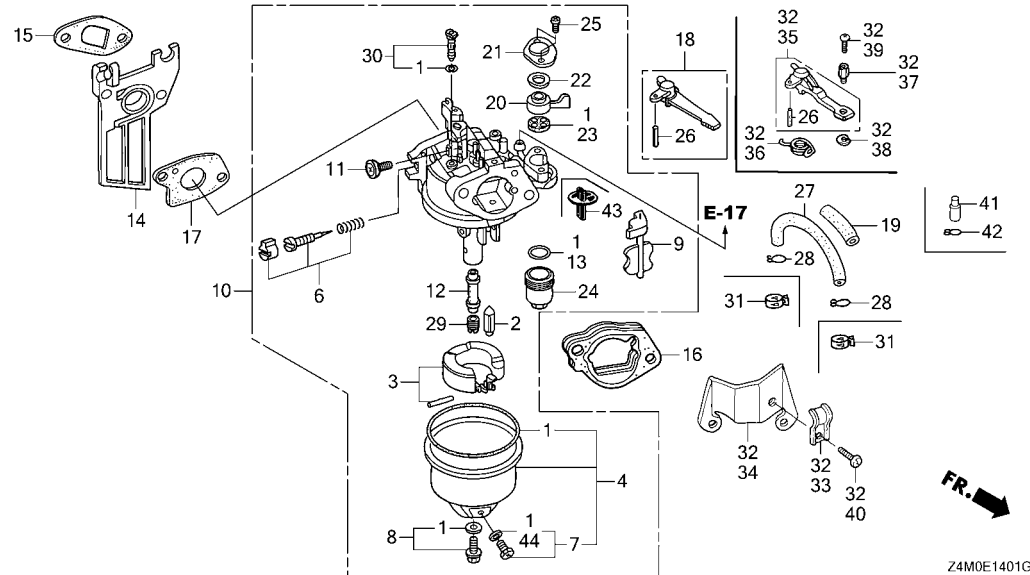
CARBURETOR(2)



Ref. No.	Part No.	Description	Reqd. QTY						Serial No.	Parts catalogue code
			GX 160 UT1	GX 160 UT2	GX 160 UT2X	GX 160 RT1	GX 160 RT2	GX 160 RT2X		
40	93500-05008-0A	SCREW, PAN, 5X8.....	1	1	1	1	1	-	-----	QXW, QXWE, QXWE/A, SWG4, SWG4/A
41	16215-MV4-000	CAP, BOOST.....	1	-	-	-	-	-	2439363	----- QMP4
42	95002-02070	CLIP, TUBE(B7).....	1	-	-	-	-	-	2439363	----- QMP4
43	16959-Z5T-901	FILTER, CUP.....	-	1	1	-	1	1	-----	----- QMP4
										HH26, HH26/A, HHQ4, HX2, HX2/A, HX4, HX4/A, HXE8, HXE8/A, LHN4 LHN4/A, LHQ4, LX2, LX2/A, LX4, LX4/A, LXM2, LXM2/A, PXU, PXU/A QA2, QA2/A, QAX2, QAX4, QAX4/A, QBC2, QBM2, QBM2/A, QGR9 QGR9/A, QH26, QH26/A, QHG4, QHG4/A, QHQ4, QHQ4/A, QMC8 QMC8/A, QMD6, QMD6/A, QME4, QME4/A, QMP4, QMX2, QMX2/A, QMXC QPU, QWA4, QWA4/A, QWX2, QWX2/A, QX2, QX2/A, QX4, QX4/A, QX9 QX9/A, QXC9, QXE2, QXE2/A, QXE5, QXE5/A, QXE8, QXEB, QXGB QXM2, QXS2, QXS2/A, QXU, QXU/A, QXWE, QXWE/A, RH2, RH2/A, RHG4 RHG4/A, RHQ4, RHQ4/A, RX4, RX4/A, RXE2, RXE2/A, RXU, RXU/A S1CY, S1CY/A, SG24, SG24/A, SHCC, SHCC/A, SHQ4, SHQ4/A, SHRY SHRY/A, SMC7, SMC7/A, SMC9, SMC9/A, SMW2, SMW2/A, SMX4 SMX4/A, SMXC, SMXE, SMXE/A, SSX2, SSX2/A, SWG4, SWG4/A, SWX2 SWX2/A, SX4, SX4/A, SX9, SX9/A, SXE5, SXE5/A, SXS4, SXS4/A SXU, SXU/A, TX2, TX2/A, TX4, TX4/A, TXC9, TXDU, TXDU/A, UXU UXU/A, VA2, VA2/A, VG25, VG25/A, VG29, VGE4, VGE5, VHH4 VHH4/A, VSD9, VSD9/A, VX2, VX2/A, VXE9, VXE9/A, VXU1, VXU1/A WKT2, WKT2/A

E-14-1

CARBURETOR(2)

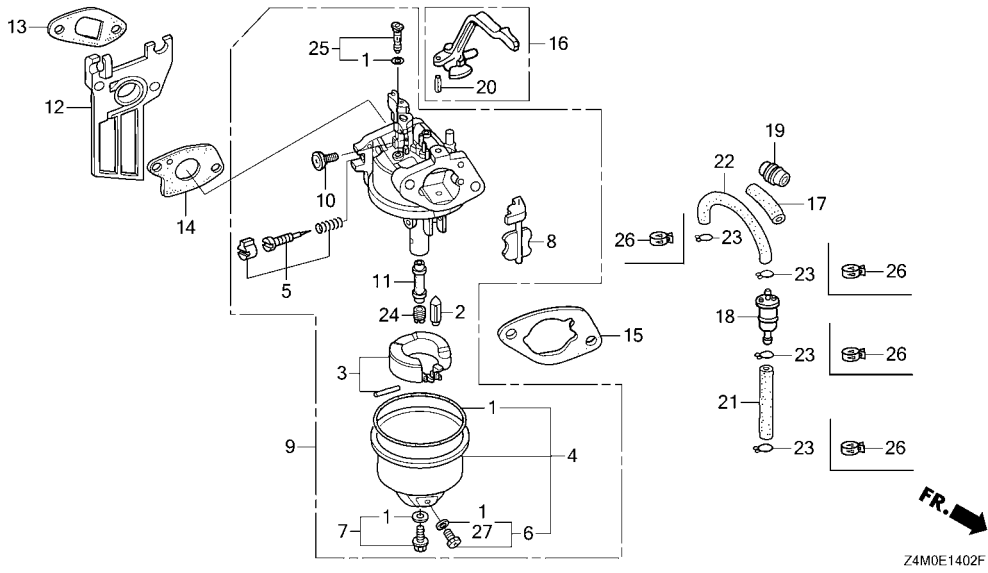


Ref. No.	Part No.	Description	Reqd. QTY						Serial No.	Parts catalogue code
			GX 160 UT1	GX 160 UT2	GX 160 UT2X	GX 160 RT1	GX 160 RT2	GX 160 RT2X		
44	16141-Z0S-003	WASHER, PLAIN(6.2X10.7 DRAIN)	1	-	-	1	-	-	HH26, HHQ4, HX2, HX4, HXE8, HXU, LHQ4, LX2, LX26, LX4, LXU, PXU QA2, QA26, QAX2, QAX4, QBC2, QBM2, QBT6, QCB2, QCL, QGR9, QH26 QHG4, QHQ4, QHQU, QKA4, QMC8, QMD6, QME4, QMP4, QM22, QNT, QPU QW24, QWA4, QWW2, QWX2, QX2, QX26, QX4, QX7, QX9, QXC4, QXC9 QXE2, QXE4, QXE5, QXE8, QXF2, QXP2, QXS2, QXU, QXW, QXWE, RH2 RHG4, RHQ4, RTB2, RX4, RXE2, RXP2, RXU, SG22, SG24, SHQ4, SHQU SMC7, SMC9, SSS2, SWG4, SWX2, SX2, SX4, SX7, SX9, SXE4, SXE5 SXS, SXS2, SXS4, SXU, TCS2, TW24, TX2, TX26, TX4, TXC9, TXDU TXU, UXU, VA2, VG29, VGE2, VGE4, VGE5, VHA9, VHH4, VMS4, VSD VSD2, VSD7, VSD9, VWA2, VX2, VX4, VXE9, VXU1, VXW2, WKT2, WKT4 WKT6	
			-	1	-	-	-	-	HH26/A, HX2/A, HX4/A, HXE8/A, LHN4, LHN4/A, LX2/A, LX4/A LXM2, LXM2/A, PXU/A, QA2/A, QAX4/A, QBM2/A, QGR9/A, QH26/A QHQ4/A, QMC8/A, QMD6/A, QME4/A, QMX2, QMX2/A, QWA4/A, QWX2/A QX2/A, QX4/A, QX9/A, QXE2/A, QXE5/A, QXEB, QXGB, QXS2/A QXU/A, QXWE/A, RH2/A, RHQ4/A, RX4/A, RXE2/A, RXU/A, S1CY S1CY/A, SG24/A, SHCC, SHCC/A, SHQ4/A, SHRY, SHRY/A, SMC7/A SMC9/A, SMM2, SMM2/A, SMX4, SMX4/A, SMXE, SMXE/A, SSS2/A SWX2/A, SX4/A, SX9/A, SXE5/A, SXS4/A, SXU/A, TX2/A, TX4/A TXDU/A, UXU/A, VA2/A, VG25, VG25/A, VSD9/A, VX2/A, VXE9/A VXU1/A, WKT2/A	
			-	-	1	-	-	-	HH26, HX2, HX4, HXE8, LX2, LX4, LXM2, PXU, QA2, QAX4, QBM2, QGR9 QH26, QHQ4, QMC8, QMD6, QME4, QMX2, QWA4, QX2, QX4, QX9, QXE2 QXE5, QXEB, QXGB, QXU, QXWE, RH2, RHQ4, RX4, RXE2, S1CY, SG24 SHCC, SHQ4, SHRY, SMC7, SMM2, SMX4, SMXE, SSS2, SWX2, SX4, SXE5 SXS4, SXU, TX2, TX4, TXDU, UXU, VA2, VG25, VSD9, VXE9, WKT2	
			-	-	-	-	1	-	QH4/A, RHG4/A, SWG4/A, VHH4/A	
			-	-	-	-	-	1	QH4, RHG4	



E-14-2

CARBURETOR(3)



Ref. No.	L.O.N.	(Relative ref. Number) Description	F.R.T.
1	3111B1	GASKET SET, CARBURETOR	0.3
2	3111E1	FLOAT VALVE SET AND/OR FLOAT SET	0.3
4	3111A3	FLOAT CHAMBER SET AND/OR GASKET	0.2
5	3111D7	SCREW SET, PILOT	0.2
8	8101C5	CHOKE SET, CARBURETOR	0.2
9	3111F3	CARBURETOR	0.2
12	3111C0	CARBURETOR INSULATOR AND/OR PACKING	0.2
14	3111C8	PACKING, CARBURETOR	0.2
15	3121D9	PACKING, AIR CLEANER	0.2
16	8101F9	LEVER, CARBURETOR CHOKE	0.2
18	3101H8	STRAINER, FUEL	0.2
24	3111C3	JET, MAIN	0.3

Z4M0E1402F

Ref. No.	Part No.	Description	Reqd. QTY						Serial No.	Parts catalogue code
			GX 160 UT1	GX 160 UT2	GX 160 UT2X	GX 160 RT1	GX 160 RT2	GX 160 RT2X		
1	16010-ZB1-015	GASKET SET	1	-	-	-	1	1	-----	EMAN, EMAN/A, VES6, VES6/A, VPM4, VPM5, VPM8, VPM9, VPMN, VPR4, VPR9, VS17, VS19, VSD1, VWS, VWS1, VWS1/A, VWW2, VWWN, VWWN/A
2	16011-ZE0-005	VALVE SET, FLOAT	1	-	-	-	1	1	-----	EMAN, EMAN/A, VES6, VES6/A, VPM4, VPM5, VPM8, VPM9, VPMN, VPR4, VPR9, VS17, VS19, VSD1, VWS, VWS1, VWS1/A, VWW2, VWWN, VWWN/A
3	16013-Z0S-B01	FLOAT SET	1	-	-	-	1	1	-----	EMAN, EMAN/A, VES6, VES6/A, VPM4, VPM5, VPM8, VPM9, VPMN, VPR4, VPR9, VS17, VS19, VSD1, VWS, VWS1, VWS1/A, VWW2, VWWN, VWWN/A
4	16015-ZE0-831	CHAMBER SET, FLOAT	1	-	-	-	-	-	-----	VPM4, VPM5, VPM8, VPM9, VPMN, VPR4, VPR9, VS17, VS19, VSD1, VWW2, VWWN
	16015-Z4M-911	-	-	-	-	1	1	-----	EMAN, EMAN/A, VES6, VES6/A, VPM5, VS19, VWS, VWS1, VWS1/A, VWWN, VWWN/A
5	16016-ZH7-W01	SCREW SET, PILOT	1	-	-	-	1	-	-----	EMAN, VES6, VPM4, VPM5, VPM8, VPM9, VPMN, VPR4, VPR9, VS17, VS19, VSD1, VWS, VWS1, VWW2, VWWN
	16016-Z1E-V21	SCREW SET	-	-	-	-	-	1	-----	EMAN/A, VES6/A, VWS1/A, VWWN/A
			-	-	-	-	-	1	-----	EMAN, VES6, VWS1, VWWN
6	16024-ZE1-811	SCREW SET, DRAIN	1	-	-	-	-	-	-----	VPM4, VPM5, VPM8, VPM9, VPMN, VPR4, VPR9, VS17, VS19, VSD1, VWW2, VWWN
	16024-Z5T-901	-	-	-	-	1	1	-----	EMAN, EMAN/A, VES6, VES6/A, VPM5, VS19, VWS, VWS1, VWS1/A, VWWN, VWWN/A
7	16028-ZE0-005	SCREW SET	1	-	-	-	-	-	-----	VPM4, VPM5, VPM8, VPM9, VPMN, VPR4, VPR9, VS17, VS19, VSD1, VWW2, VWWN
	16028-Z5T-901	-	-	-	-	1	1	-----	EMAN, EMAN/A, VES6, VES6/A, VPM5, VS19, VWS, VWS1, VWS1/A, VWWN, VWWN/A
8	16044-ZE0-005	CHOKE SET	1	-	-	-	1	1	-----	EMAN, EMAN/A, VES6, VES6/A, VPM4, VPM5, VPM8, VPM9, VPMN, VPR4, VPR9, VS17, VS19, VSD1, VWS, VWS1, VWS1/A, VWW2, VWWN, VWWN/A
9	16100-Z4M-T41	CARBURETOR ASSY.(BE67Q A)	1	-	-	-	-	-	-----	VPMN, VWWN
	16100-Z0T-T41	CARBURETOR ASSY.(BE67K A)	1	-	-	-	-	-	-----	1270227 VS17, VS19, VSD1, VWW2
			1	-	-	-	-	-	-----	1276293 VPM4, VPM5, VPM8, VPM9, VPR4, VPR9

2

E-14-2

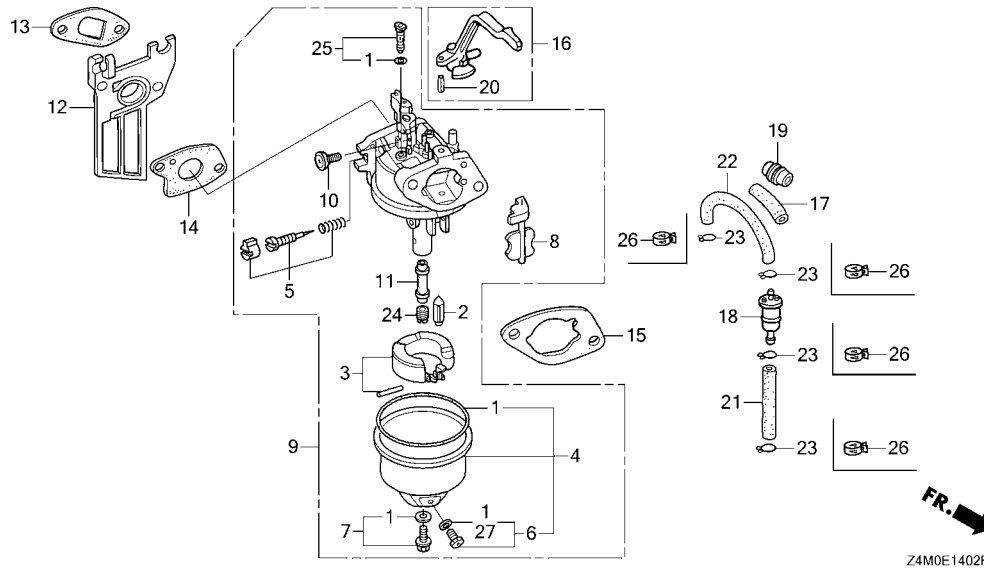
CARBURETOR(3)

Ref. No.	Part No.	Description	Reqd. QTY						Serial No.	Parts catalogue code
			GX 160 UT1	GX 160 UT2	GX 160 UT2X	GX 160 RT1	GX 160 RT2	GX 160 RT2X		
(9)	16100-Z4M-T41	CARBURETOR ASSY.(BE67Q A).....	1	-	-	-	-	-	1270228 ----- VS17,VS19,VSD1,VWV2	
	16100-Z4M-T51	CARBURETOR ASSY.(BE67W A).....	1	-	-	-	-	-	1276294 ----- VPM4,VPM5,VPM8,VPM9,VPR4,VPR9	
	16100-Z4M-WE1	CARBURETOR ASSY.(BE62N B).....	-	-	-	-	1	-	----- EMAN, VES6, VPM5, VS19, VWS, VWVN	
	16100-Z4M-T52	CARBURETOR ASSY.(BE67W B).....	-	-	-	-	1	-	----- EMAN/A, VES6/A, VWS1/A, VWVN/A	
	16100-Z4M-WE1	CARBURETOR ASSY.(BE62N B).....	-	-	-	-	1	-	----- VWS1	
10	16124-ZE0-005	SCREW, THROTTLE STOP.....	1	-	-	-	1	1	----- EMAN, VES6, VWS1, VWVN	
									----- EMAN, EMAN/A, VES6, VES6/A, VPM4, VPM5, VPM8, VPM9, VPMN, VPR4, VPR9, VS17, VS19, VSD1, VWS, VWS1, VWS1/A, VWV2, VWVN, VWVN/A	
11	16166-ZH8-E80	NOZZLE, MAIN.....	1	-	-	-	-	-	----- VPM4, VPM5, VPM8, VPM9, VPMN, VPR4, VPR9, VS17, VS19, VSD1, VWV2, VWVN	
	16166-Z4M-T31	-	-	-	-	1	-	----- EMAN, VES6, VPM5, VS19, VWS, VWS1, VWVN	
	16166-Z4M-WE1	-	-	-	-	1	-	----- EMAN/A, VES6/A, VWS1/A, VWVN/A	
									----- EMAN, VES6, VWS1, VWVN	
12	16211-ZE1-000	INSULATOR, CARBURETOR.....	1	-	-	-	-	-	----- VPM4, VPM5, VPM8, VPM9, VPMN, VPR4, VPR9, VS17, VS19, VSD1, VWV2, VWVN	
	16211-Z4M-000	-	-	-	-	1	-	----- EMAN, VES6, VPM5, VS19, VWS, VWS1, VWVN	
	16211-Z4M-900	-	-	-	-	1	-	----- EMAN/A, VES6/A, VWS1/A, VWVN/A	
									----- EMAN, VES6, VWS1, VWVN	
13	16212-ZH8-800	PACKING, INSULATOR.....	1	-	-	-	1	1	----- EMAN, EMAN/A, VES6, VES6/A, VPM4, VPM5, VPM8, VPM9, VPMN, VPR4, VPR9, VS17, VS19, VSD1, VWS, VWS1, VWS1/A, VWV2, VWVN, VWVN/A	
14	16221-ZH8-801	PACKING, CARBURETOR.....	1	-	-	-	1	1	----- EMAN, EMAN/A, VES6, VES6/A, VPM4, VPM5, VPM8, VPM9, VPMN, VPR4, VPR9, VS17, VS19, VSD1, VWS, VWS1, VWS1/A, VWV2, VWVN, VWVN/A	
15	16269-ZE1-800	PACKING, AIR CLEANER.....	1	-	-	-	1	1	----- EMAN, EMAN/A, VES6, VES6/A, VPM4, VPM5, VPM8, VPM9, VPMN, VPR4, VPR9, VS17, VS19, VSD1, VWS, VWS1, VWS1/A, VWV2, VWVN, VWVN/A	
16	16610-ZB2-000	LEVER COMP., CHOKE.....	1	-	-	-	1	1	----- EMAN, EMAN/A, VES6, VES6/A, VPM4, VPM5, VPM8, VPM9, VPMN, VPR4, VPR9, VS17, VS19, VSD1, VWS, VWS1, VWS1/A, VWV2, VWVN, VWVN/A	
17	16854-ZH8-810	RUBBER, SUPPORTER(50MM).....	1	-	-	-	-	-	----- VPM4, VPM5, VPM8, VPM9, VPMN, VPR4, VPR9	
	16854-ZH8-000	RUBBER, SUPPORTER(107MM).....	1	-	-	-	-	-	----- VS17, VS19, VSD1	
18	16910-GB2-005	STRAINER COMP., FUEL.....	1	-	-	-	1	-	----- VPM4, VPM5, VPM8, VPM9, VPMN, VPR4, VPR9	
19	90854-ZB3-000	RUBBER, FUEL(9X15X20).....	1	-	-	-	1	1	----- EMAN, EMAN/A, VES6, VES6/A, VPM4, VPM5, VPM8, VPM9, VPMN, VPR4, VPR9, VWS, VWS1, VWS1/A	
20	94305-20122	PIN, SPRING, 2X12.....	1	-	-	-	1	1	----- EMAN, EMAN/A, VES6, VES6/A, VPM4, VPM5, VPM8, VPM9, VPMN, VPR4, VPR9, VS17, VS19, VSD1, VWS, VWS1, VWS1/A, VWV2, VWVN, VWVN/A	
21	91424-Z4G-831	TUBE, FUEL, 4.5X35(FKM).....	1	-	-	-	-	-	----- VPMN	
	95001-45035-40	TUBE, FUEL, 4.5X35 (95001-45001-60M)	1	-	-	-	-	-	----- 1276293 VPM4, VPM5, VPM8, VPM9, VPR4, VPR9	
	91424-Z4G-831	TUBE, FUEL, 4.5X35(FKM).....	1	-	-	-	-	-	----- 1276294 VPM4, VPM5, VPM8, VPM9, VPR4, VPR9	
	91424-Z4G-832	-	-	-	-	1	-	----- VPM5	
22	91424-Z4G-811	TUBE, FUEL, 4.5X110(FKM).....	1	-	-	-	-	-	----- VPMN	
	95001-45430-40	TUBE, FUEL, 4.5X430 (95001-45001-60M)	1	-	-	-	-	-	----- 1270227 VS17, VS19, VSD1	
	95001-45110-40	TUBE, FUEL, 4.5X110 (95001-45001-60M)	1	-	-	-	-	-	----- 1276293 VPM4, VPM5, VPM8, VPM9, VPR4, VPR9	
	91424-Z4J-821	TUBE, FUEL, 4.5X430(FKM).....	1	-	-	-	-	-	----- 1270228 VS17, VS19, VSD1	
	91424-Z4G-811	TUBE, FUEL, 4.5X110(FKM).....	1	-	-	-	-	-	----- 1276294 VPM4, VPM5, VPM8, VPM9, VPR4, VPR9	
	91424-Z4K-802	TUBE, FUEL, 4.5X180(FKM).....	-	-	-	-	1	-	----- EMAN, VWS	
	91424-ZBH-801	TUBE, FUEL, 4.2X180(FKM).....	-	-	-	-	1	-	----- EMAN, VWS	
	91424-Z4G-812	TUBE, FUEL, 4.5X110(FKM).....	-	-	-	-	1	-	----- VPM5	
	91424-Z9K-811	TUBE, FUEL, 4.2X110(FKM).....	-	-	-	-	1	-	----- VPM5	
	91424-Z4J-822	TUBE, FUEL, 4.5X430(FKM).....	-	-	-	-	1	-	----- VS19	
	91424-Z9K-841	TUBE, FUEL, 4.2X430(FKM).....	-	-	-	-	1	-	----- VS19	
	91424-Z4J-802	TUBE, FUEL, 4.5X150(FKM).....	-	-	-	-	1	-	----- VWS1	
	91424-ZBH-801	TUBE, FUEL, 4.2X180(FKM).....	-	-	-	-	1	-	----- 4215441 EMAN/A	
	91424-Z4J-802	TUBE, FUEL, 4.5X150(FKM).....	-	-	-	-	1	-	----- 4401873 VWS1/A	
	91424-ZBH-802	TUBE, FUEL, 4.2X180(FKM).....	-	-	-	-	1	-	----- 4215442 EMAN/A	



E-14-2

CARBURETOR(3)

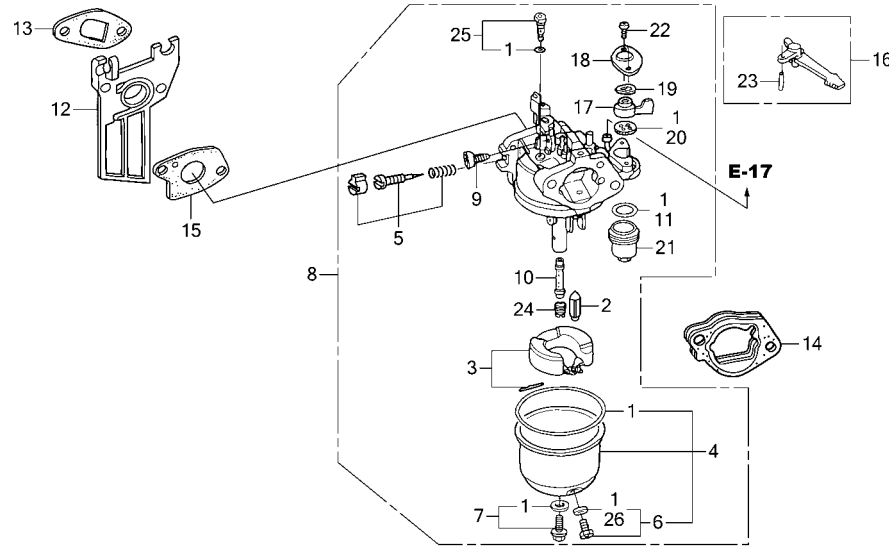


Z4M0E1402F

Ref. No.	Part No.	Description	Reqd. QTY						Serial No.	Parts catalogue code
			GX 160 UT1	GX 160 UT2	GX 160 UT2X	GX 160 RT1	GX 160 RT2	GX 160 RT2X		
22)	91424-Z4J-803	TUBE, FUEL, 4.5X150(FKM).....	-	-	-	-	1	4401874	VWS1/A	
	91424-ZBH-803	TUBE, FUEL, 4.2X180(FKM).....	-	-	-	-	1	-----	EMAN	
	91424-ZBH-863	TUBE, FUEL, 4.2X150(FKM).....	-	-	-	-	1	-----	VWS1	
23	95002-02080	CLIP, TUBE(B8).....	2	-	-	-	-	1270227	VS17, VS19, VSD1	
			4	-	-	-	-	1276293	VPM4, VPM5, VPM8, VPM9, VPR4, VPR9	
24	99101-ZH8-0700	JET, MAIN, #70.....	(1)	-	-	-	(1)	(1)	EMAN, EMAN/A, VES6, VES6/A, VPM4, VPM5, VPM8, VPM9, VPMN, VPR4, VPR9, VS17, VS19, VSD1, VWS, VWS1, VWS1/A, VWW2, VWWN, VWWN/A	
	99101-ZH8-0720	JET, MAIN, #72.....	(1)	-	-	-	(1)	(1)	EMAN, EMAN/A, VES6, VES6/A, VPM4, VPM5, VPM8, VPM9, VPMN, VPR4, VPR9, VS17, VS19, VSD1, VWS, VWS1, VWS1/A, VWW2, VWWN, VWWN/A	
	99101-ZH8-0750	JET, MAIN, #75.....	1	-	-	-	1	1	EMAN, EMAN/A, VES6, VES6/A, VPM4, VPM5, VPM8, VPM9, VPMN, VPR4, VPR9, VS17, VS19, VSD1, VWS, VWS1, VWS1/A, VWW2, VWWN, VWWN/A	
25	99204-ZE0-0350	JET SET, PILOT, #35.....	1	-	-	-	1	-	EMAN, VES6, VPM4, VPM5, VPM8, VPM9, VPMN, VPR4, VPR9, VS17, VS19, VSD1, VWS, VWS1, VWW2, VWWN	
	99204-ZE2-0350	-	-	-	-	1	-	EMAN/A, VES6/A, VWS1/A, VWWN/A	
			-	-	-	-	1	-----	EMAN, VES6, VWS1, VWWN	
26	95002-40800-08	CLAMP, TUBE(D8).....	4	-	-	-	1	-----	VPMN, VWS1, VWS1/A	
			2	-	-	-	-	1270228	VS17, VS19, VSD1	
			4	-	-	-	-	1276294	VPM4, VPM5, VPM8, VPM9, VPR4, VPR9	
			-	-	-	-	2	-----	EMAN, EMAN/A, VES6, VES6/A, VS19, VWS	
			-	-	-	-	4	-----	VPM5	
			-	-	-	-	2	-----	EMAN, VES6	
			-	-	-	-	1	-----	VWS1	
27	16141-Z0S-003	WASHER, PLAIN(6.2X10.7 DRAIN)	1	-	-	-	-	-----	VPM4, VPM5, VPM8, VPM9, VPMN, VPR4, VPR9, VS17, VS19, VSD1, VWW2, VWWN	
			-	-	-	-	1	-----	EMAN/A, VES6/A, VWS1/A, VWWN/A	
			-	-	-	-	1	-----	EMAN, VES6, VWS1, VWWN	

E-14-3

CARBURETOR(4)



Ref. No.	L.O.N.	(Relative ref. Number) Description	F.R.T.
1	3111B1	GASKET SET, CARBURETOR	0.3
2	3111E1	FLOAT VALVE SET AND/OR FLOAT SET	0.3
4	3111A3	FLOAT CHAMBER SET AND/OR GASKET	0.2
5	3111D7	SCREW SET, PILOT	0.2
8	3111F3	CARBURETOR	0.2
11	3101L6	PACKING, FUEL STRAINER CUP ... (13)	0.2
12	3111C0	CARBURETOR INSULATOR AND/OR PACKING	0.2
14	3111D9	SPACER, CARBURETOR	0.2
15	3111C8	PACKING, CARBURETOR	0.2
16	8101F9	LEVER, CARBURETOR CHOKE	0.2
20	3101C5	PACKING, FUEL COCK	0.2
24	3111C3	JET, MAIN	0.3



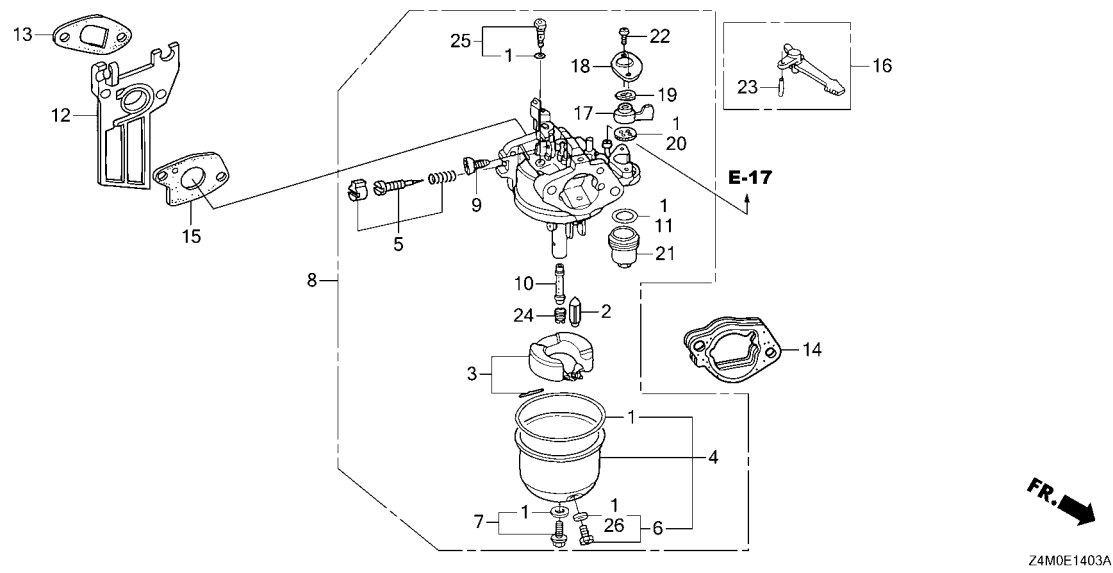
Z4MOE1403A

Ref. No.	Part No.	Description	Reqd. QTY						Serial No.	Parts catalogue code
			GX 160 UT1	GX 160 UT2	GX 160 UT2X	GX 160 RT1	GX 160 RT2	GX 160 RT2X		
1	16010-ZE1-812	GASKET SET	1	-	-	-	-	-	QNT4	
2	16011-ZE0-005	VALVE SET, FLOAT	1	-	-	-	-	-	QNT4	
3	16013-Z05-B01	FLOAT SET	1	-	-	-	-	-	QNT4	
4	16015-ZE0-831	CHAMBER SET, FLOAT	1	-	-	-	-	-	QNT4	
5	16016-ZH7-W01	SCREW SET, PILOT	1	-	-	-	-	-	QNT4	
6	16024-ZE1-811	SCREW SET, DRAIN	1	-	-	-	-	-	QNT4	
7	16028-ZE0-005	SCREW SET	1	-	-	-	-	-	QNT4	
8	16100-Z4X-821	CARBURETOR ASSY.(BE54A A)	1	-	-	-	-	-	QNT4	
9	16124-ZE0-005	SCREW, THROTTLE STOP	1	-	-	-	-	-	QNT4	
10	16166-ZH8-800	NOZZLE, MAIN	1	-	-	-	-	-	QNT4	
11	16173-001-004	O-RING	1	-	-	-	-	-	QNT4	
12	16211-ZE1-000	INSULATOR, CARBURETOR	1	-	-	-	-	-	QNT4	
13	16212-ZH8-800	PACKING, INSULATOR	1	-	-	-	-	-	QNT4	
14	16220-ZE1-020	SPACER COMP., CARBURETOR	1	-	-	-	-	-	QNT4	
15	16221-ZH8-801	PACKING, CARBURETOR	1	-	-	-	-	-	QNT4	
16	16610-ZE1-000	LEVER COMP., CHOKE(STD.)	1	-	-	-	-	-	QNT4	
17	16953-ZE1-812	LEVER, COCK	1	-	-	-	-	-	QNT4	
18	16954-ZE1-812	PLATE, LEVER SETTING	1	-	-	-	-	-	QNT4	
19	16956-ZE1-811	SPRING, COCK LEVER	1	-	-	-	-	-	QNT4	
20	16957-ZE1-812	PACKING, FUEL COCK	1	-	-	-	-	-	QNT4	
21	16967-ZE0-811	CUP, FUEL STRAINER	1	-	-	-	-	-	QNT4	
22	93500-03006-1H	SCREW, PAN, 3X6	2	-	-	-	-	-	QNT4	
23	94305-20122	PIN, SPRING, 2X12	1	-	-	-	-	-	QNT4	
24	99101-ZH8-0620	JET, MAIN, #62	(1)	-	-	-	-	-	QNT4	
	99101-ZH8-0650	JET, MAIN, #65	(1)	-	-	-	-	-	QNT4	



E-14-3

CARBURETOR(4)

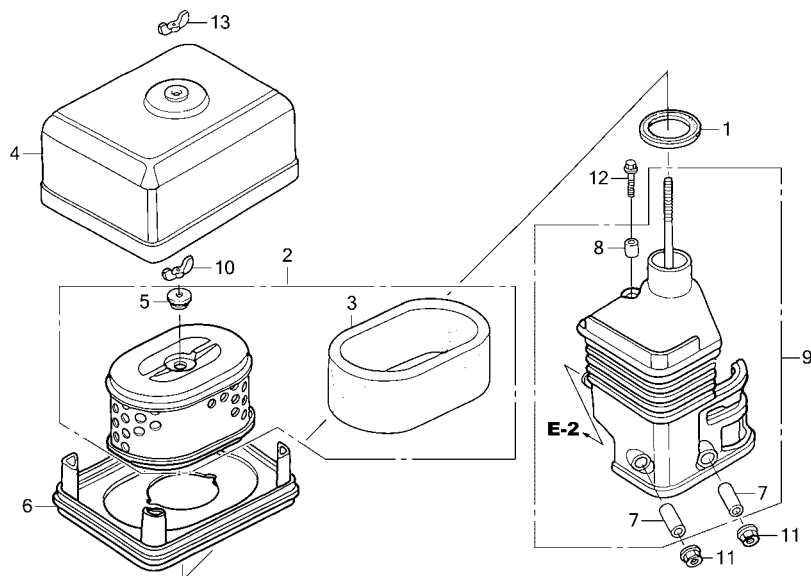


Ref. No.	Part No.	Description	Reqd. QTY						Serial No.	Parts catalogue code
			GX 160 UT1	GX 160 UT2	GX 160 UT2X	GX 160 RT1	GX 160 RT2	GX 160 RT2X		
24)	99101-ZH8-0680	JET, MAIN, #68	1	-	-	-	-	-	-----	QNT4
25	99204-ZE0-0380	JET SET, PILOT, #38	1	-	-	-	-	-	-----	QNT4
26	16141-Z0S-003	WASHER, PLAIN(6.2X10.7 DRAIN)	1	-	-	-	-	-	-----	QNT4



E-15

AIR CLEANER(1)



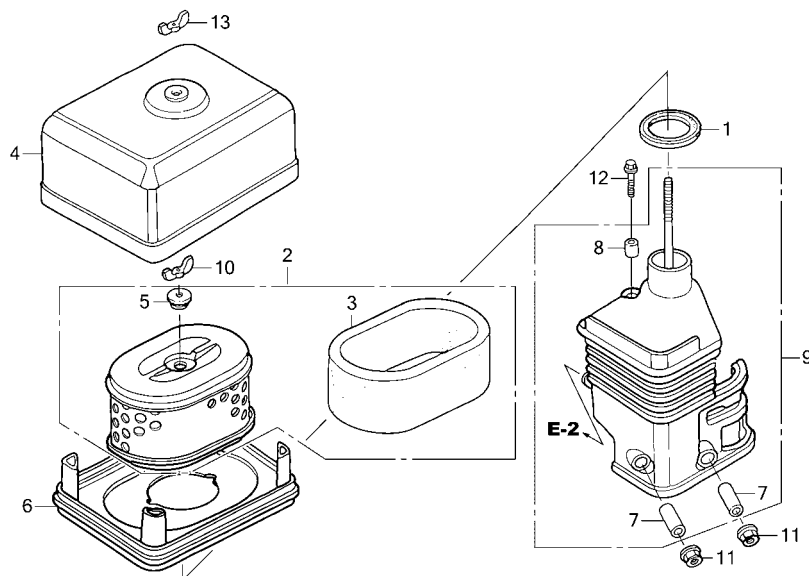
Ref. No.	L.O.N.	(Relative ref. Number) Description	F.R.T.
1	3121E1	PACKING, ELBOW	0.1
2	3121B8	ELEMENT, AIR CLEANER	0.1
		.INCLUDES: Air cleaner element -inspection	
3	3121C1	FILTER, OUTER	0.1
		.INCLUDES: Outer filter-inspection	
6	3121D6	NOSE, SILENCER	0.1
9	3121B4	ELBOW, AIR CLEANER	0.1

Ref. No.	Part No.	Description	Reqd. QTY						Serial No.	Parts catalogue code
			GX 160 UT1	GX 160 UT2	GX 160 UT2X	GX 160 RT1	GX 160 RT2	GX 160 RT2X		
1	16271-ZE1-000	PACKING, ELBOW	1	1	1	1	1	1	-----	HH26, HH26/A, HHQ4, HX2, HX2/A, HX4, HX4/A, HXE8, HXE8/A, HXU LHN4, LHN4/A, LHQ4, LX2, LX2/A, LX26, LX4, LX4/A, LXM2, LXM2/A LXU, PXU, PXU/A, QAX2, QAX4, QAX4/A, QBC2, QBM2, QBM2/A, QBT6 QCB2, QCL, QGR9, QGR9/A, QH26, QH26/A, QHG4, QHG4/A, QHQ4 QHQ4/A, QHQ4, QKA4, QMC8, QMC8/A, QMD6, QMD6/A, QMX2, QMX2/A QM22, QNT, QPU, QW24, QWA4, QWA4/A, QWW2, QWX2, QWX2/A, QX2 QX2/A, QX26, QX4, QX4/A, QX7, QX9, QX9/A, QXE2, QXE2/A, QXE4 QXE5, QXE5/A, QXE8, QXEB, QXF2, QXGB, QXM2, QXP2, QXS2, QXS2/A QXU, QXU/A, QXW, QXWE, QXWE/A, RH2, RH2/A, RHG4, RHG4/A, RHQ4 RHQ4/A, RTB2, RX4, RX4/A, RXE2, RXE2/A, RXP2, RXU, RXU/A, S1CY S1CY/A, SG22, SG24, SG24/A, SHCC, SHCC/A, SHQ4, SHQ4/A, SHQU SMC7, SMC7/A, SMC9, SMC9/A, SMM2, SMM2/A, SMX4, SMX4/A, SMXE SMXE/A, SSS2, SSS2/A, SWG4, SWG4/A, SWX2, SWX2/A, SX2, SX4 SX4/A, SX7, SX9, SX9/A, SXE4, SXE5, SXE5/A, SXS, SXS2, SXS4 SXS4/A, SXU, SXU/A, TCS2, TW24, TX2, TX2/A, TX26, TX4, TX4/A TXDU, TXDU/A, TXU, UXU, UXU/A, VA2, VA2/A, VG24, VG25, VG25/A VGE2, VGE4, VGE5, VHA9, VHH4, VHH4/A, VMS4, VSD, VSD2, VSD7 VSD9, VSD9/A, VWA2, VX2, VX2/A, VX4, VXE9, VXE9/A, VXU1 VXU1/A, VXW2
2	17210-ZE1-822	ELEMENT, AIR CLEANER(DUAL) ...	1	-	-	1	-	-	-----	HH26, HHQ4, HX2, HX4, HXE8, HXU, LHQ4, LX2, LX26, LX4, LXU, PXU QAX2, QAX4, QBC2, QBM2, QBT6, QCB2, QCL, QGR9, QH26, QHG4, QHQ4 QHQ4, QKA4, QMC8, QMD6, QM22, QNT, QPU, QW24, QWA4, QWW2, QWX2 QX2, QX26, QX4, QX7, QX9, QXE2, QXE4, QXE5, QXE8, QXF2, QXP2 QXS2, QXU, QXW, QXWE, RH2, RHG4, RHQ4, RTB2, RX4, RXE2, RXP2 RXU, SG22, SG24, SHQ4, SHQU, SMC7, SMC9, SSS2, SWG4, SWX2, SX2 SX4, SX7, SX9, SXE4, SXE5, SXS, SXS2, SXS4, SXU, TCS2, TW24, TX2 TX26, TX4, TXDU, TXU, UXU, VA2, VG24, VGE2, VGE4, VGE5, VHA9 VHH4, VMS4, VSD, VSD2, VSD7, VSD9, VWA2, VX2, VX4, VXE9, VXU1 VXW2



E-15

AIR CLEANER(1)



Z4M0E1500A

Ref. No.	Part No.	Description	Reqd. QTY						Serial No.	Parts catalogue code
			GX 160 UT1	GX 160 UT2	GX 160 UT2X	GX 160 RT1	GX 160 RT2	GX 160 RT2X		
(2)	17210-Z4M-821	ELEMENT, AIR CLEANER(DUAL) ...	-	1	-	-	1	-	HH26/A, HX2/A, HX4/A, HXE8/A, LHN4/A, LX2/A, LX4/A, LXM2/A, PXU/A, QAX4/A, QBM2/A, QGR9/A, QH26/A, QHG4/A, QHQ4/A, QMC8/A, QMD6/A, QMX2/A, QWA4/A, QWX2/A, QX2/A, QX4/A, QX9/A, QXE2/A, QXE5/A, QXEB, QXGB, QXS2/A, QXU/A, QXWE/A, RH2/A, RHG4/A, RHQ4/A, RX4/A, RXE2/A, RXU/A, S1CY/A, SG24/A, SHCC, SHCC/A, SHQ4/A, SMC7/A, SMC9/A, SMW2/A, SMX4/A, SMXE/A, SSX2/A, SWG4/A, SWX2/A, SX4/A, SX9/A, SXE5/A, SXS4/A, SXU/A, TX2/A, TX4/A, TXDU/A, UXU/A, VA2/A, VG25, VG25/A, VHH4/A, VSD9/A, VX2/A, VXE9/A, VXU1/A	
	17210-ZE1-822	-	1	-	-	1	-	2204187 HH26, HX2, HX4, HXE8, LHN4, LX2, LX4, LXM2, PXU, QAX2, QAX4, QGR9, QH26, QHG4, QHQ4, QPU, QWX2, QX2, QX4, QXE2, QXE5, QXM2, QXS2, QXU, QXWE, RH2, RHQ4, RX4, RXE2, RXU, SHQ4, SMW2, SMX4, SMXE, SWX2, SX4, SXE5, SXS4, SXU, TX2, TX4, TXDU, UXU, VA2, VHH4, VX2, VXU1	
	17210-Z4M-821	-	1	-	-	1	-	2204188 HH26, HX2, HX4, HXE8, LHN4, LX2, LX4, LXM2, PXU, QAX2, QAX4, QGR9, QH26, QHG4, QHQ4, QPU, QWX2, QX2, QX4, QXE2, QXE5, QXM2, QXS2, QXU, QXWE, RH2, RHQ4, RX4, RXE2, RXU, SHQ4, SMW2, SMX4, SMXE, SWX2, SX4, SXE5, SXS4, SXU, TX2, TX4, TXDU, UXU, VA2, VHH4, VX2, VXU1	
	17210-ZE1-822	-	1	-	-	-	-	2204691 HHQ4, LHQ4, QBC2, QXE8	
	17210-Z4M-821	-	1	-	-	-	-	2204692 QBM2, QMC8, QMD6, QMX2, QWA4, QX9, S1CY, SG24, SMC7, SMC9, SSX2, SX9, VSD9, VXE9	
		-	-	1	-	-	-	HH26, HX2, HX4, HXE8, LX2, LX4, LXM2, PXU, QAX4, QBM2, QGR9, QH26, QHQ4, QMC8, QMD6, QMX2, QWA4, QX2, QX4, QX9, QXE2, QXE5, QXEB, QXGB, QXU, QXWE, RH2, RHQ4, RX4, RXE2, S1CY, SG24, SHCC, SHQ4, SMC7, SMW2, SMX4, SMXE, SSX2, SWX2, SX4, SXE5, SXS4, SXU, TX2, TX4, TXDU, UXU, VA2, VG25, VSD9, VXE9	

E-15

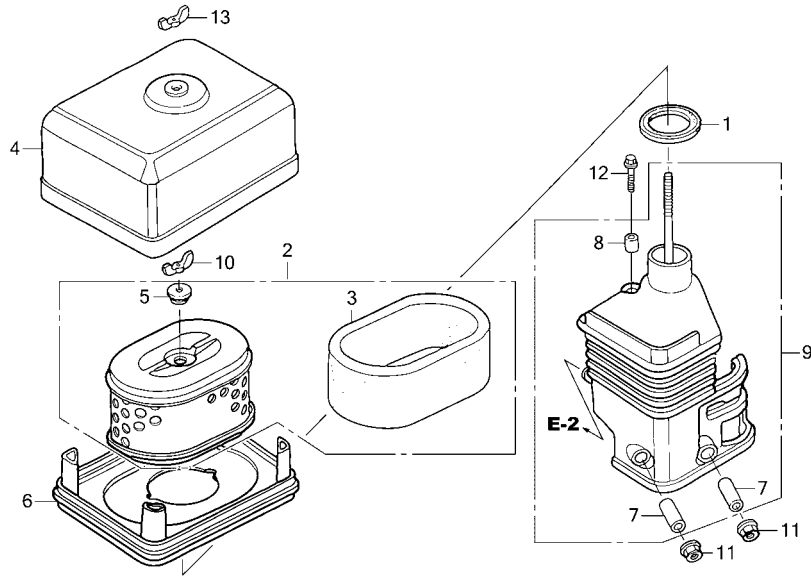
AIR CLEANER(1)

Ref. No.	Part No.	Description	Reqd. QTY						Serial No.	Parts catalogue code
			GX 160 UT1	GX 160 UT2	GX 160 UT2X	GX 160 RT1	GX 160 RT2	GX 160 RT2X		
(2)	17210-ZE1-822	ELEMENT, AIR CLEANER(DUAL).....	-	-	-	-	1	-	-----	VGE4, VGE5
	17210-Z4M-821	-	-	-	-	1	-	2217383	RHG4, SWG4
			-	-	-	-	1	-	-----	RHG4, SWG4
			-	-	-	-	-	1	-----	QHG4, RHG4
3	17218-ZE1-821	FILTER, OUTER.....	1	1	1	1	1	1	-----	HH26, HH26/A, HHQ4, HX2, HX2/A, HX4, HX4/A, HXE8, HXE8/A, HXU LHN4, LHN4/A, LHQ4, LX2, LX2/A, LX26, LX4, LX4/A, LXM2, LXM2/A LXU, PXU, PXU/A, QAX2, QAX4, QAX4/A, QBC2, QBM2, QBM2/A, QBT6 QCB2, QCL, QGR9, QGR9/A, QH26, QH26/A, QHG4, QHG4/A, QHQ4 QHQ4/A, QHQU, QKA4, QMC8, QMC8/A, QMD6, QMD6/A, QMX2, QMX2/A QMZ2, QNT, QPU, QW24, QWA4, QWA4/A, QWW2, QWX2, QWX2/A, QX2 QX2/A, QX26, QX4, QX4/A, QX7, QX9, QX9/A, QXE2, QXE2/A, QXE4 QXE5, QXE5/A, QXE8, QXEB, QXF2, QXGB, QXM2, QXP2, QXS2, QXS2/A QXU, QXU/A, QXW, QXWE, QXWE/A, RH2, RH2/A, RHG4, RHG4/A, RHQ4 RHQ4/A, RTB2, RX4, RX4/A, RXE2, RXE2/A, RXP2, RXU, RXU/A, S1CY S1CY/A, SG22, SG24, SG24/A, SHCC, SHCC/A, SHQ4, SHQ4/A, SHQU SMC7, SMC7/A, SMC9, SMC9/A, SMW2, SMW2/A, SMX4, SMX4/A, SMXE SMXE/A, SSX2, SSX2/A, SWG4, SWG4/A, SWX2, SWX2/A, SX2, SX4 SX4/A, SX7, SX9, SX9/A, SXE4, SXE5, SXE5/A, SXS, SXS2, SXS4 SXS4/A, SXU, SXU/A, TCS2, TW24, TX2, TX2/A, TX26, TX4, TX4/A TXDU, TXDU/A, TXU, UXU, UXU/A, VA2, VA2/A, VG24, VG25, VG25/A VGE2, VGE4, VGE5, VHA9, VHH4, VHH4/A, VMS4, VSD, VSD2, VSD7 VSD9, VSD9/A, VWA2, VX2, VX2/A, VX4, VXE9, VXE9/A, VXU1 VXU1/A, VXW2
4	17230-ZE1-820	COVER, AIR CLEANER(DUAL).....	1	-	-	1	-	-	-----	HH26, HHQ4, HX2, HX4, HXE8, HXU, LHQ4, LX2, LX26, LX4, LXU, PXU QAX2, QAX4, QBC2, QBM2, QBT6, QCB2, QCL, QGR9, QH26, QHG4, QHQ4 QHQU, QKA4, QMC8, QMD6, QMZ2, QNT, QPU, QW24, QWA4, QWW2, QWX2 QX2, QX26, QX4, QX7, QX9, QXE2, QXE4, QXE5, QXE8, QXF2, QXP2 QXS2, QXU, QXW, QXWE, RH2, RHG4, RHQ4, RTB2, RX4, RXE2, RXP2 RXU, SG22, SG24, SHQ4, SHQU, SMC7, SMC9, SSX2, SWG4, SWX2, SX2 SX4, SX7, SX9, SXE4, SXE5, SXS, SXS2, SXS4, SXU, TCS2, TW24, TX2 TX26, TX4, TXDU, TXU, UXU, VA2, VG24, VGE5, VHA9, VHH4, VMS4 VSD, VSD2, VSD7, VSD9, VWA2, VX2, VX4, VXE9, VXU1, VXW2
	17231-Z4M-010	COVER, AIR CLEANER.....	-	1	1	-	1	1	-----	HH26, HH26/A, HHQ4, HX2, HX2/A, HX4, HX4/A, HXE8, HXE8/A, LHN4 LHN4/A, LHQ4, LX2, LX2/A, LX4, LX4/A, LXM2, LXM2/A, PXU, PXU/A QAX2, QAX4, QAX4/A, QBC2, QBM2, QBM2/A, QGR9, QGR9/A, QH26 QH26/A, QHG4, QHG4/A, QHQ4, QHQ4/A, QMC8, QMC8/A, QMD6 QMD6/A, QMX2, QMX2/A, QPU, QWA4, QWA4/A, QWX2, QWX2/A, QX2 QX2/A, QX4, QX4/A, QX9, QX9/A, QXE2, QXE2/A, QXE5, QXE5/A QXE8, QXEB, QXGB, QXM2, QXS2, QXS2/A, QXU, QXU/A, QXWE, QXWE/A RH2, RH2/A, RHG4, RHG4/A, RHQ4, RHQ4/A, RX4, RX4/A, RXE2 RXE2/A, RXU, RXU/A, S1CY, S1CY/A, SG24, SG24/A, SHCC, SHCC/A SHQ4, SHQ4/A, SMC7, SMC7/A, SMC9, SMC9/A, SMW2, SMW2/A, SMX4 SMX4/A, SMXE, SMXE/A, SSX2, SSX2/A, SWG4, SWG4/A, SWX2 SWX2/A, SX4, SX4/A, SX9, SX9/A, SXE5, SXE5/A, SXS4, SXS4/A SXU, SXU/A, TX2, TX2/A, TX4, TX4/A, TXDU, TXDU/A, UXU, UXU/A VA2, VA2/A, VG25, VG25/A, VHH4, VHH4/A, VSD9, VSD9/A, VX2 VX2/A, VXE9, VXE9/A, VXU1, VXU1/A
	17230-ZE1-820	COVER, AIR CLEANER(DUAL).....	-	-	-	-	1	-	-----	VGE5



E-15

AIR CLEANER(1)



2

Ref. No.	Part No.	Description	Reqd. QTY						Serial No.	Parts catalogue code
			GX 160 UT1	GX 160 UT2	GX 160 UT2X	GX 160 RT1	GX 160 RT2	GX 160 RT2X		
5	17232-891-000	GROMMET, AIR CLEANER.....	1	1	1	1	1	1	-----	HH26, HH26/A, HHQ4, HX2, HX2/A, HX4, HX4/A, HXE8, HXE8/A, HXU LHN4, LHN4/A, LHQ4, LX2, LX2/A, LX26, LX4, LX4/A, LXM2, LXM2/A LXU, PXU, PXU/A, QAX2, QAX4, QAX4/A, QBC2, QBM2, QBM2/A, QBT6 QCB2, QCL, QGR9, QGR9/A, QH26, QH26/A, QHG4, QHG4/A, QHQ4 QHQ4/A, QHQ4, QKA4, QMC8, QMC8/A, QMD6, QMD6/A, QMX2, QMX2/A QMZ2, QNT, QPU, QW24, QWA4, QWA4/A, QWW2, QWX2, QWX2/A, QX2 QX2/A, QX26, QX4, QX4/A, QX7, QX9, QX9/A, QXE2, QXE2/A, QXE4 QXE5, QXE5/A, QXE8, QXEB, QXF2, QXGB, QXM2, QXP2, QXS2, QXS2/A QXU, QXU/A, QXW, QXWE, QXWE/A, RH2, RH2/A, RHG4, RHG4/A, RHQ4 RHQ4/A, RTB2, RX4, RX4/A, RXE2, RXE2/A, RXP2, RXU, RXU/A, S1CY S1CY/A, SG22, SG24, SG24/A, SHCC, SHCC/A, SHQ4, SHQ4/A, SHQU SMC7, SMC7/A, SMC9, SMC9/A, SMW2, SMW2/A, SMX4, SMX4/A, SMXE SMXE/A, SSS2, SSS2/A, SWG4, SWG4/A, SWX2, SWX2/A, SX2, SX4 SX4/A, SX7, SX9, SX9/A, SXE4, SXE5, SXE5/A, SXS, SXS2, SXS4 SXS4/A, SXU, SXU/A, TCS2, TW24, TX2, TX2/A, TX26, TX4, TX4/A TXDU, TXDU/A, TXU, UXU, UXU/A, VA2, VA2/A, VG24, VG25, VG25/A VGE2, VGE4, VGE5, VHA9, VHH4, VHH4/A, VMS4, VSD, VSD2, VSD7 VSD9, VSD9/A, VWA2, VX2, VX2/A, VX4, VXE9, VXE9/A, VXU1 VXU1/A, VXX2
6	17235-ZE1-831	NOSE, SILENCER.....	1	-	-	-	1	-	-----	QBC2, QBM2, QMC8, QMD6, QMZ2, QNT, QWA4, QX7, QX9, SG22, SG24 SMC7, SMC9, SSS2, SX7, SX9, SXS, VG24, VGE5, VHA9, VMS4, VSD2 VSD7, VSD9, VXE9
	17235-Z4M-830	-	1	1	-	-	-	-----	QBC2, QBM2, QBM2/A, QMC8, QMC8/A, QMD6, QMD6/A, QMX2, QMX2/A QWA4, QWA4/A, QX9, QX9/A, S1CY, S1CY/A, SG24, SG24/A, SMC7 SMC7/A, SMC9, SMC9/A, SSS2, SSS2/A, SX9, SX9/A, VSD9, VSD9/A VXE9, VXE9/A
	17235-ZE1-860	-	-	-	1	-	-	-----	
	17235-Z4M-860	-	-	-	-	1	1	-----	RHG4, RHG4/A, SWG4, SWG4/A

E-15

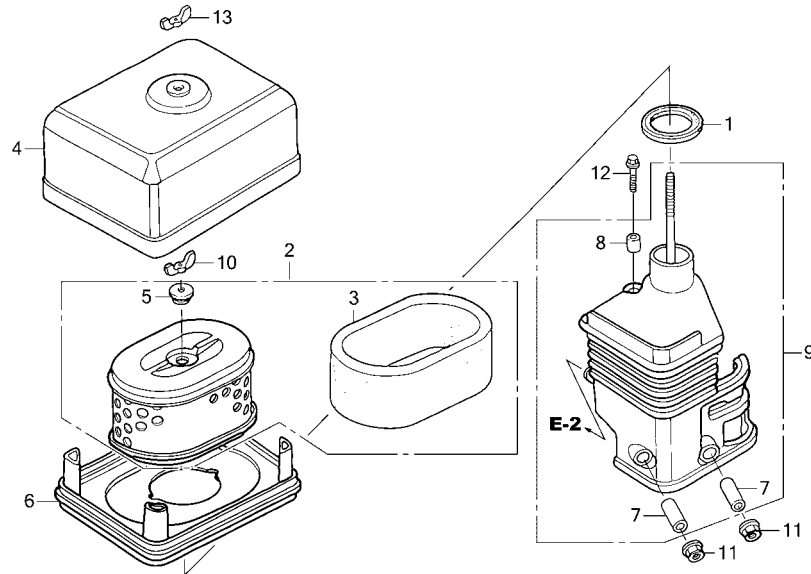
AIR CLEANER(1)

Ref. No.	Part No.	Description	Reqd. QTY						Serial No.	Parts catalogue code
			GX 160 UT1	GX 160 UT2	GX 160 UT2X	GX 160 RT1	GX 160 RT2	GX 160 RT2X		
7	17238-ZE7-010	COLLAR, AIR CLEANER.....	2	2	2	2	2	2	-----	HH26, HH26/A, HHQ4, HX2, HX2/A, HX4, HX4/A, HXE8, HXE8/A, HXU LHN4, LHN4/A, LHQ4, LX2, LX2/A, LX26, LX4, LX4/A, LXM2, LXM2/A LXU, PXU, PXU/A, QAX2, QAX4, QAX4/A, QBC2, QBM2, QBM2/A, QBT6 QCB2, QCL, QGR9, QGR9/A, QH26, QH26/A, QHG4, QHG4/A, QHQ4 QHQ4/A, QHQ4, QKA4, QMC8, QMC8/A, QMD6, QMD6/A, QMX2, QMX2/A QMZ2, QNT, QPU, QW24, QWA4, QWA4/A, QWW2, QWX2, QWX2/A, QX2 QX2/A, QX26, QX4, QX4/A, QX7, QX9, QX9/A, QXE2, QXE2/A, QXE4 QXE5, QXE5/A, QXE8, QXEB, QXF2, QXGB, QXM2, QXP2, QXS2, QXS2/A QXU, QXU/A, QXW, QXWE, QXWE/A, RH2, RH2/A, RHG4, RHG4/A, RHQ4 RHQ4/A, RTB2, RX4, RX4/A, RXE2, RXE2/A, RXP2, RXU, RXU/A, S1CY S1CY/A, SG22, SG24, SG24/A, SHCC, SHCC/A, SHQ4, SHQ4/A, SHQU SMC7, SMC7/A, SMC9, SMC9/A, SMW2, SMW2/A, SMX4, SMX4/A, SMXE SMXE/A, SSX2, SSX2/A, SWG4, SWG4/A, SWX2, SWX2/A, SX2, SX4 SX4/A, SX7, SX9, SX9/A, SXE4, SXE5, SXE5/A, SXS, SXS2, SXS4 SXS4/A, SXU, SXU/A, TCS2, TW24, TX2, TX2/A, TX26, TX4, TX4/A TXDU, TXDU/A, TXU, UXU, UXU/A, VA2, VA2/A, VG24, VG25, VG25/A VGE2, VGE4, VGE5, VHA9, VHH4, VHH4/A, VMS4, VSD, VSD2, VSD7 VSD9, VSD9/A, VWA2, VX2, VX2/A, VX4, VXE9, VXE9/A, VXU1 VXU1/A, VXW2
8	17239-ZE1-000	COLLAR B, AIR CLEANER.....	1	1	1	1	1	1	-----	HH26, HH26/A, HHQ4, HX2, HX2/A, HX4, HX4/A, HXE8, HXE8/A, HXU LHN4, LHN4/A, LHQ4, LX2, LX2/A, LX26, LX4, LX4/A, LXM2, LXM2/A LXU, PXU, PXU/A, QAX2, QAX4, QAX4/A, QBC2, QBM2, QBM2/A, QBT6 QCB2, QCL, QGR9, QGR9/A, QH26, QH26/A, QHG4, QHG4/A, QHQ4 QHQ4/A, QHQ4, QKA4, QMC8, QMC8/A, QMD6, QMD6/A, QMX2, QMX2/A QMZ2, QNT, QPU, QW24, QWA4, QWA4/A, QWW2, QWX2, QWX2/A, QX2 QX2/A, QX26, QX4, QX4/A, QX7, QX9, QX9/A, QXE2, QXE2/A, QXE4 QXE5, QXE5/A, QXE8, QXEB, QXF2, QXGB, QXM2, QXP2, QXS2, QXS2/A QXU, QXU/A, QXW, QXWE, QXWE/A, RH2, RH2/A, RHG4, RHG4/A, RHQ4 RHQ4/A, RTB2, RX4, RX4/A, RXE2, RXE2/A, RXP2, RXU, RXU/A, S1CY S1CY/A, SG22, SG24, SG24/A, SHCC, SHCC/A, SHQ4, SHQ4/A, SHQU SMC7, SMC7/A, SMC9, SMC9/A, SMW2, SMW2/A, SMX4, SMX4/A, SMXE SMXE/A, SSX2, SSX2/A, SWG4, SWG4/A, SWX2, SWX2/A, SX2, SX4 SX4/A, SX7, SX9, SX9/A, SXE4, SXE5, SXE5/A, SXS, SXS2, SXS4 SXS4/A, SXU, SXU/A, TCS2, TW24, TX2, TX2/A, TX26, TX4, TX4/A TXDU, TXDU/A, TXU, UXU, UXU/A, VA2, VA2/A, VG24, VG25, VG25/A VHA9, VHH4, VHH4/A, VMS4, VSD, VSD2, VSD7, VSD9, VSD9/A, VWA2 VX2, VX2/A, VX4, VXE9, VXE9/A, VXU1, VXU1/A, VXW2
9	17410-ZE1-030	ELBOW COMP., AIR CLEANER.....	1	-	-	1	-	-	-----	HH26, HHQ4, HX2, HX4, HXE8, HXU, LHQ4, LX2, LX26, LX4, LXU, PXU QAX2, QAX4, QBC2, QBM2, QBT6, QCB2, QCL, QGR9, QH26, QHG4, QHQ4 QHQ4, QKA4, QMC8, QMD6, QMZ2, QNT, QPU, QW24, QWA4, QWW2, QWX2 QX2, QX26, QX4, QX7, QX9, QXE2, QXE4, QXE5, QXE8, QXF2, QXP2 QXS2, QXU, QXW, QXWE, RH2, RHG4, RHQ4, RTB2, RX4, RXE2, RXP2 RXU, SG22, SG24, SHQ4, SHQU, SMC7, SMC9, SSX2, SWG4, SWX2, SX2 SX4, SX7, SX9, SXE4, SXE5, SXS, SXS2, SXS4, SXU, TCS2, TW24, TX2 TX26, TX4, TXDU, TXU, UXU, VA2, VG24, VHA9, VHH4, VMS4, VSD VSD2, VSD7, VSD9, VWA2, VX2, VX4, VXE9, VXU1, VXW2



E-15

AIR CLEANER(1)



FR. →
Z4M0E1500A

Ref. No.	Part No.	Description	Reqd. QTY						Serial No.	Parts catalogue code
			GX 160 UT1	GX 160 UT2	GX 160 UT2X	GX 160 RT1	GX 160 RT2	GX 160 RT2X		
(9)	17410-Z4M-010	ELBOW COMP., AIR CLEANER.....	-	1	1	-	1	1	-----	HH26, HH26/A, HHQ4, HX2, HX2/A, HX4, HX4/A, HXE8, HXE8/A, LHN4, LHN4/A, LHQ4, LX2, LX2/A, LX4, LX4/A, LXM2, LXM2/A, PXU, PXU/A, QAX2, QAX4, QAX4/A, QBC2, QBM2, QBM2/A, QGR9, QGR9/A, QH26, QH26/A, QHG4, QHG4/A, QHQ4, QHQ4/A, QMC8, QMC8/A, QMD6, QMD6/A, QMX2, QMX2/A, QPU, QWA4, QWA4/A, QWX2, QWX2/A, QX2, QX2/A, QX4, QX4/A, QX9, QX9/A, QXE2, QXE2/A, QXE5, QXE5/A, QXE8, QXE8, QXGB, QXM2, QXS2, QXS2/A, QXU, QXU/A, QXWE, QXWE/A, RH2, RH2/A, RHG4, RHG4/A, RHQ4, RHQ4/A, RX4, RX4/A, RXE2, RXE2/A, RXU, RXU/A, S1CY, S1CY/A, SG24, SG24/A, SHCC, SHCC/A, SHQ4, SHQ4/A, SMC7, SMC7/A, SMC9, SMC9/A, SMW2, SMW2/A, SMX4, SMX4/A, SMXE, SMXE/A, SSS2, SSS2/A, SWG4, SWG4/A, SWX2, SWX2/A, SX4, SX4/A, SX9, SX9/A, SXE5, SXE5/A, SXS4, SXS4/A, SXU, SXU/A, TX2, TX2/A, TX4, TX4/A, TXDU, TXDU/A, UXU, UXU/A, VA2, VA2/A, VG25, VG25/A, VHH4, VHH4/A, VSD9, VSD9/A, VX2, VX2/A, VXE9, VXE9/A, VXU1, VXU1/A

E-15

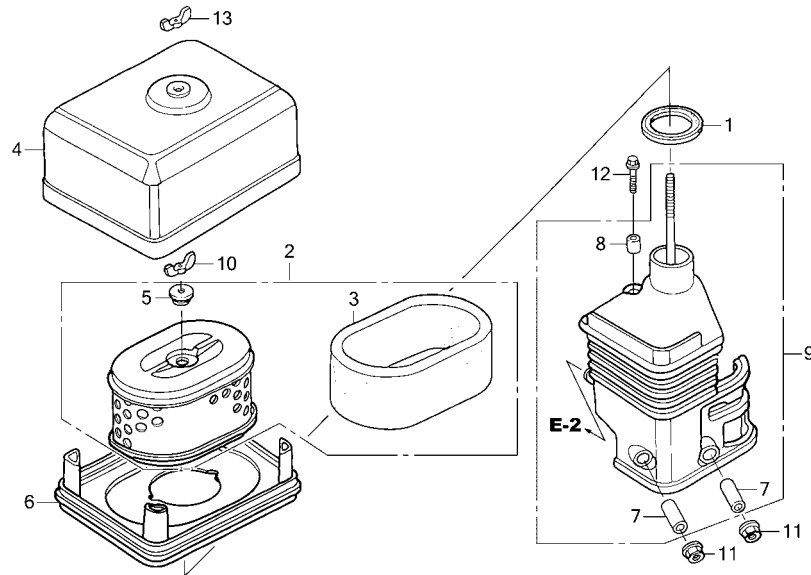
AIR CLEANER(1)

Ref. No.	Part No.	Description	Reqd. QTY						Serial No.	Parts catalogue code
			GX 160 UT1	GX 160 UT2	GX 160 UT2X	GX 160 RT1	GX 160 RT2	GX 160 RT2X		
10	90325-044-000	NUT, TOOL BOX SETTING	1	1	1	1	1	1	-----	HH26, HH26/A, HHQ4, HX2, HX2/A, HX4, HX4/A, HXE8, HXE8/A, HXU LHN4, LHN4/A, LHQ4, LX2, LX2/A, LX26, LX4, LX4/A, LXM2, LXM2/A LXU, PXU, PXU/A, QAX2, QAX4, QAX4/A, QBC2, QBM2, QBM2/A, QBT6 QCB2, QCL, QGR9, QGR9/A, QH26, QH26/A, QHG4, QHG4/A, QHQ4 QHQ4/A, QHQ4, QKA4, QMC8, QMC8/A, QMD6, QMD6/A, QMX2, QMX2/A QMZ2, QNT, QPU, QW24, QWA4, QWA4/A, QWW2, QWX2, QWX2/A, QX2 QX2/A, QX26, QX4, QX4/A, QX7, QX9, QX9/A, QXE2, QXE2/A, QXE4 QXE5, QXE5/A, QXE8, QXEB, QXF2, QXGB, QXM2, QXP2, QXS2, QXS2/A QXU, QXU/A, QXW, QXWE, QXWE/A, RH2, RH2/A, RHG4, RHG4/A, RHQ4 RHQ4/A, RTB2, RX4, RX4/A, RXE2, RXE2/A, RXP2, RXU, RXU/A, S1CY S1CY/A, SG22, SG24, SG24/A, SHCC, SHCC/A, SHQ4, SHQ4/A, SHQU SMC7, SMC7/A, SMC9, SMC9/A, SMW2, SMW2/A, SMX4, SMX4/A, SMXE SMXE/A, SSX2, SSX2/A, SWG4, SWG4/A, SWX2, SWX2/A, SX2, SX4 SX4/A, SX7, SX9, SX9/A, SXE4, SXE5, SXE5/A, SXS, SXS2, SXS4 SXS4/A, SXU, SXU/A, TCS2, TW24, TX2, TX2/A, TX26, TX4, TX4/A TXDU, TXDU/A, TXU, UXU, UXU/A, VA2, VA2/A, VG24, VG25, VG25/A VGE5, VHA9, VHH4, VHH4/A, VMS4, VSD, VSD2, VSD7, VSD9, VSD9/A VWA2, VX2, VX2/A, VX4, VXE9, VXE9/A, VXU1, VXU1/A, VXX2
11	94050-06000	NUT, FLANGE, 6MM	2	2	2	2	-	2	-----	HH26, HH26/A, HHQ4, HX2, HX2/A, HX4, HX4/A, HXE8, HXE8/A, HXU LHN4, LHN4/A, LHQ4, LX2, LX2/A, LX26, LX4, LX4/A, LXM2, LXM2/A LXU, PXU, PXU/A, QAX2, QAX4, QAX4/A, QBC2, QBM2, QBM2/A, QBT6 QCB2, QCL, QGR9, QGR9/A, QH26, QH26/A, QHG4, QHQ4, QHQ4/A QHQ4, QKA4, QMC8, QMC8/A, QMD6, QMD6/A, QMX2, QMX2/A, QMZ2 QNT, QPU, QW24, QWA4, QWA4/A, QWW2, QWX2, QWX2/A, QX2, QX2/A QX26, QX4, QX4/A, QX7, QX9, QX9/A, QXE2, QXE2/A, QXE4, QXE5 QXE5/A, QXE8, QXEB, QXF2, QXGB, QXM2, QXP2, QXS2, QXS2/A, QXU QXU/A, QXW, QXWE, QXWE/A, RH2, RH2/A, RHG4, RHQ4, RHQ4/A, RTB2 RX4, RX4/A, RXE2, RXE2/A, RXP2, RXU, RXU/A, S1CY, S1CY/A, SG22 SG24, SG24/A, SHCC, SHCC/A, SHQ4, SHQ4/A, SHQU, SMC7, SMC7/A SMC9, SMC9/A, SMW2, SMW2/A, SMX4, SMX4/A, SMXE, SMXE/A, SSX2 SSX2/A, SWG4, SWX2, SWX2/A, SX2, SX4, SX4/A, SX7, SX9, SX9/A SXE4, SXE5, SXE5/A, SXS, SXS2, SXS4, SXS4/A, SXU, SXU/A, TCS2 TW24, TX2, TX2/A, TX26, TX4, TX4/A, TXDU, TXDU/A, TXU, UXU UXU/A, VA2, VA2/A, VG24, VG25, VG25/A, VGE2, VGE4, VGE5, VHA9 VHH4, VMS4, VSD, VSD2, VSD7, VSD9, VSD9/A, VWA2, VX2, VX2/A VX4, VXE9, VXE9/A, VXU1, VXU1/A, VXX2
12	95701-06020-00	BOLT, FLANGE, 6X20	-	-	-	-	2	-	-----	QHG4, QHG4/A, RHG4, RHG4/A, SWG4, SWG4/A, VHH4, VHH4/A HH26, HH26/A, HHQ4, HX2, HX2/A, HX4, HX4/A, HXE8, HXE8/A, HXU LHN4, LHN4/A, LHQ4, LX2, LX2/A, LX26, LX4, LX4/A, LXM2, LXM2/A LXU, PXU, PXU/A, QAX2, QAX4, QAX4/A, QBC2, QBM2, QBM2/A, QBT6 QCB2, QCL, QGR9, QGR9/A, QH26, QH26/A, QHG4, QHG4/A, QHQ4 QHQ4/A, QHQ4, QKA4, QMC8, QMC8/A, QMD6, QMD6/A, QMX2, QMX2/A QMZ2, QNT, QPU, QW24, QWA4, QWA4/A, QWW2, QWX2, QWX2/A, QX2 QX2/A, QX26, QX4, QX4/A, QX7, QX9, QX9/A, QXE2, QXE2/A, QXE4 QXE5, QXE5/A, QXE8, QXEB, QXF2, QXGB, QXM2, QXP2, QXS2, QXS2/A QXU, QXU/A, QXW, QXWE, QXWE/A, RH2, RH2/A, RHG4, RHG4/A, RHQ4 RHQ4/A, RTB2, RX4, RX4/A, RXE2, RXE2/A, RXP2, RXU, RXU/A, S1CY S1CY/A, SG22, SG24, SG24/A, SHCC, SHCC/A, SHQ4, SHQ4/A, SHQU SMC7, SMC7/A, SMC9, SMC9/A, SMW2, SMW2/A, SMX4, SMX4/A, SMXE SMXE/A, SSX2, SSX2/A, SWG4, SWG4/A, SWX2, SWX2/A, SX2, SX4 SX4/A, SX7, SX9, SX9/A, SXE4, SXE5, SXE5/A, SXS, SXS2, SXS4 SXS4/A, SXU, SXU/A, TCS2, TW24, TX2, TX2/A, TX26, TX4, TX4/A TXDU, TXDU/A, TXU, UXU, UXU/A, VA2, VA2/A, VG24, VG25, VG25/A VHA9, VHH4, VHH4/A, VMS4, VSD, VSD2, VSD7, VSD9, VSD9/A, VWA2 VX2, VX2/A, VX4, VXE9, VXE9/A, VXU1, VXU1/A, VXX2



E-15

AIR CLEANER(1)

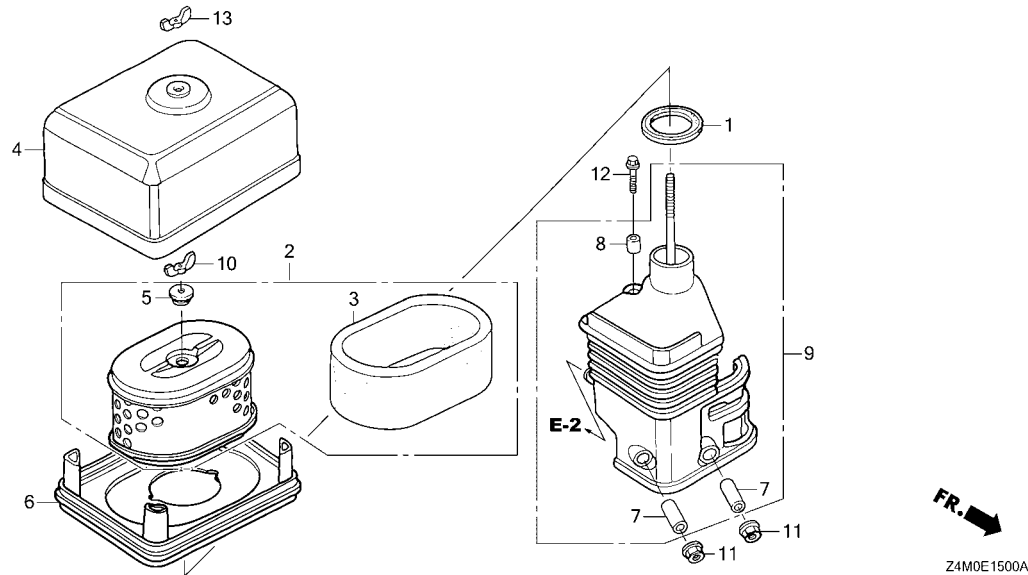


FR. →
Z4M0E1500A

Ref. No.	Part No.	Description	Reqd. QTY						Serial No.	Parts catalogue code
			GX 160 UT1	GX 160 UT2	GX 160 UT2X	GX 160 RT1	GX 160 RT2	GX 160 RT2X		
13	90325-044-000	NUT, TOOL BOX SETTING	1	-	-	1	-	-	HH26, HHQ4, HX2, HX4, HXE8, HXU, LHQ4, LX2, LX26, LX4, LXU, PXU, QAX2, QAX4, QBC2, QBM2, QBT6, QCB2, QCL, QGR9, QH26, QHG4, QHQ4, QHQ4, QKA4, QMC8, QMD6, QMZ2, QNT, QPU, QW24, QWA4, QWW2, QWX2, QX2, QX26, QX4, QX7, QX9, QXE2, QXE4, QXE5, QXE8, QXF2, QXP2, QXS2, QXU, QXW, QXWE, RH2, RHG4, RHQ4, RTB2, RX4, RXE2, RXP2, RXU, SG22, SG24, SHQ4, SHQU, SMC7, SMC9, SSS2, SWG4, SWX2, SX2, SX4, SX7, SX9, SXE4, SXE5, SXS, SXS2, SXS4, SXU, TCS2, TW24, TX2, TX26, TX4, TXDU, TXU, UXU, VA2, VG24, VGE5, VHA9, VHH4, VMS4, VSD, VSD2, VSD7, VSD9, VWA2, VX2, VX4, VXE9, VXU1, VXW2	
	90300-Z4M-800	NUT, AIR CLEANER	-	1	-	-	1	-	HH26/A, HX2/A, HX4/A, HXE8/A, LHN4/A, LX2/A, LX4/A, LXM2/A, PXU/A, QAX4/A, QBM2/A, QGR9/A, QH26/A, QHG4/A, QHQ4/A, QMC8/A, QMD6/A, QMX2/A, QWA4/A, QWX2/A, QX2/A, QX4/A, QX9/A, QXE2/A, QXE5/A, QXEB, QXGB, QXS2/A, QXU/A, QXWE/A, RH2/A, RHG4/A, RHQ4/A, RX4/A, RXE2/A, RXU/A, S1CY/A, SG24/A, SHCC, SHCC/A, SHQ4/A, SMC7/A, SMC9/A, SMM2/A, SMX4/A, SMXE/A, SSS2/A, SWG4/A, SWX2/A, SX4/A, SX9/A, SXE5/A, SXS4/A, SXU/A, TX2/A, TX4/A, TXDU/A, UXU/A, VA2/A, VG25, VG25/A, VHH4/A, VSD9/A, VX2/A, VXE9/A, VXU1/A	
	90300-ZDA-000	-	1	-	-	1	-	HH26/A, HX2/A, HX4/A, HXE8/A, LX2/A, LX4/A, LXM2/A, PXU/A, QAX4/A, QBM2/A, QGR9/A, QH26/A, QHG4/A, QHQ4/A, QMC8/A, QMD6/A, QMX2/A, QWA4/A, QWX2/A, QX2/A, QX4/A, QX9/A, QXE2/A, QXE5/A, QXEB, QXGB, QXS2/A, QXU/A, QXWE/A, RH2/A, RHQ4/A, RX4/A, RXE2/A, S1CY/A, SG24/A, SHCC, SHCC/A, SHQ4/A, SMC7/A, SMC9/A, SMM2/A, SMX4/A, SMXE/A, SSS2/A, SWX2/A, SX4/A, SXE5/A, SXS4/A, SXU/A, TX2/A, TX4/A, TXDU/A, UXU/A, VA2/A, VG25, VG25/A, VSD9/A, VXE9/A, VXU1/A	

E-15

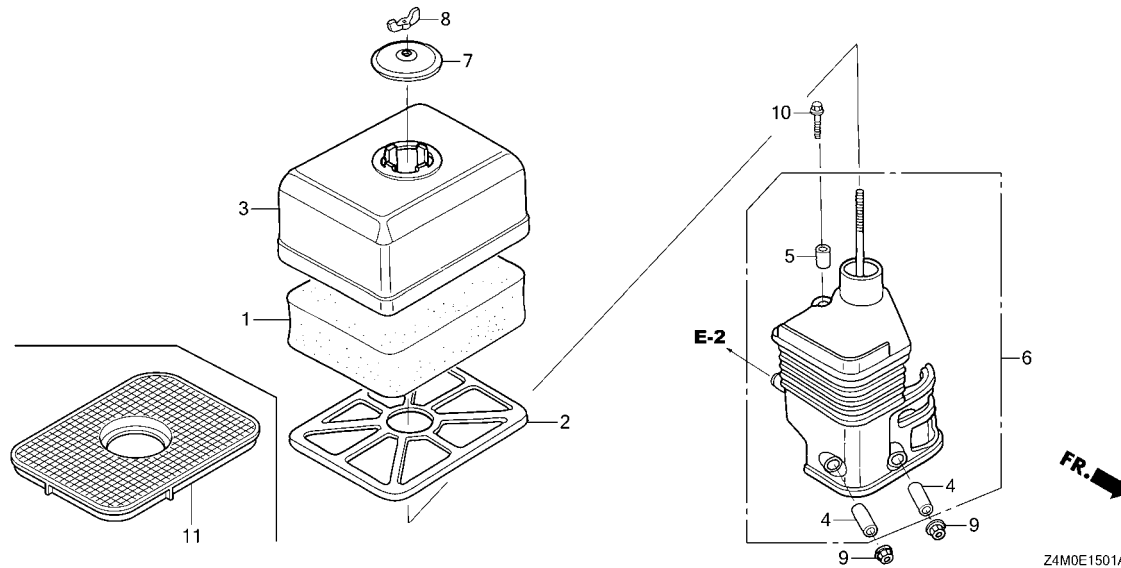
AIR CLEANER(1)



Ref. No.	Part No.	Description	Reqd. QTY						Serial No.	Parts catalogue code
			GX 160 UT1	GX 160 UT2	GX 160 UT2X	GX 160 RT1	GX 160 RT2	GX 160 RT2X		
13)	90300-Z1V-000	NUT, AIR CLEANER.....	-	1	-	-	1	-	2204187	HH26, HX2, HX4, HXE8, LHN4, LX2, LX4, LXM2, PXU, QAX2, QAX4, QGR9, QH26, QHG4, QHQ4, QPU, QWX2, QX2, QX4, QXE2, QXE5, QXM2, QXS2, QXU, QXWE, RH2, RHQ4, RX4, RXE2, RXU, SHQ4, SMW2, SMX4, SMXE, SWX2, SX4, SXE5, SXS4, SXU, TX2, TX4, TXDU, UXU, VA2, VHH4, VX2, VXU1
	90300-Z4M-800	-	1	-	-	1	-	2204188	HH26, HX2, HX4, HXE8, LHN4, LX2, LX4, LXM2, PXU, QAX2, QAX4, QGR9, QH26, QHG4, QHQ4, QPU, QWX2, QX2, QX4, QXE2, QXE5, QXM2, QXS2, QXU, QXWE, RH2, RHQ4, RX4, RXE2, RXU, SHQ4, SMW2, SMX4, SMXE, SWX2, SX4, SXE5, SXS4, SXU, TX2, TX4, TXDU, UXU, VA2, VHH4, VX2, VXU1
	90300-ZDA-000	-	1	-	-	1	-	2204188	HH26, HX2, HX4, HXE8, LX2, LX4, LXM2, PXU, QAX4, QGR9, QH26, QHG4, QHQ4, QWX2, QX2, QX4, QXE2, QXE5, QXS2, QXU, QXWE, RH2, RHQ4, RX4, RXE2, SHQ4, SMW2, SMX4, SMXE, SWX2, SX4, SXE5, SXS4, SXU, TX2, TX4, TXDU, UXU, VA2, VXU1
	90300-Z1V-000	-	1	-	-	-	-	2204691	HHQ4, LHQ4, QBC2, QXE8, QBM2, QMC8, QMD6, QMX2, QWA4, QX9, S1CY, SG24, SMC7, SMC9, SSX2, SX9, VSD9, VXE9
	90300-Z4M-800	-	1	-	-	-	-	2204692	QBM2, QMC8, QMD6, QMX2, QWA4, QX9, S1CY, SG24, SMC7, SMC9, SSX2, SX9, VSD9, VXE9
	90300-ZDA-000	-	1	-	-	-	-	2204692	QBM2, QMC8, QMD6, QMX2, QWA4, QX9, S1CY, SG24, SMC7, SMC9, SSX2, VSD9, VXE9
	90300-Z4M-800	-	-	1	-	-	-	2204692	HH26, HX2, HX4, HXE8, LX2, LX4, LXM2, PXU, QAX4, QBM2, QGR9, QH26, QHQ4, QMC8, QMD6, QMX2, QWA4, QX2, QX4, QX9, QXE2, QXE5, QXEB, QXGB, QXU, QXWE, RH2, RHQ4, RX4, RXE2, S1CY, SG24, SHCC, SHQ4, SMC7, SMW2, SMX4, SMXE, SSS2, SWX2, SX4, SXE5, SXS4, SXU, TX2, TX4, TXDU, UXU, VA2, VG25, VSD9, VXE9
	90325-044-000	NUT, TOOL BOX SETTING.....	-	-	-	-	1	-	2217384	VGE5
	90300-Z1V-000	NUT, AIR CLEANER.....	-	-	-	-	1	-	2217384	RHG4, SWG4
	90300-Z4M-800	-	-	-	-	1	-	2217384	RHG4, SWG4
			-	-	-	-	-	1		QHG4, RHG4

E-15-1

AIR CLEANER(2)

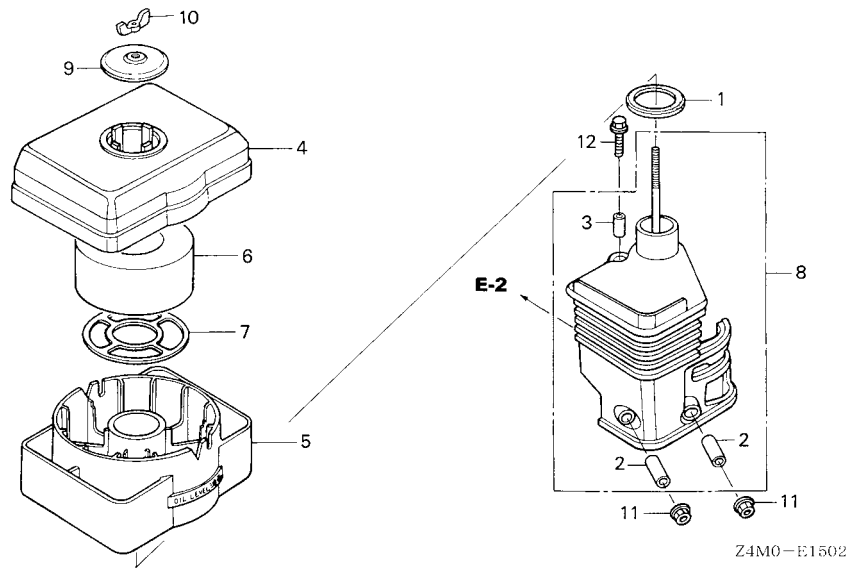


Ref. No.	L.O.N.	(Relative ref. Number) Description	F.R.T.
1	3121B8	ELEMENT, AIR CLEANERINCLUDES: Air cleaner element -inspection	0.1
6	3121B4	ELBOW, AIR CLEANER	0.1

Ref. No.	Part No.	Description	Reqd. QTY						Serial No.	Parts catalogue code
			GX 160 UT1	GX 160 UT2	GX 160 UT2X	GX 160 RT1	GX 160 RT2	GX 160 RT2X		
1	17211-ZE1-000	ELEMENT, AIR CLEANER(SEMI DRY)	1	1	1	-	-	-	----- QMC6, QMC6/A, SD16, SD16/A, SHRY, SHRY/A, WKS, WKS/A, WKT2, WKT2/A, WKT4, WKT6, WMB0, WMB0/A, WMT4, WMT4/A	
2	17212-ZE1-000	GRID, AIR CLEANER(SEMI DRY) ..	1	-	-	-	-	-	----- QMC6, SD16, WKS, WKT2, WKT4, WKT6, WMB0	
3	17231-ZE1-000	COVER, AIR CLEANER(SEMI DRY) .	1	1	1	-	-	-	----- 2205777 QMC6, SD16, SHRY, WKS, WKT2, WMB0, WMT4	
4	17238-ZE7-010	COLLAR, AIR CLEANER	2	2	2	-	-	-	----- QMC6, QMC6/A, SD16, SD16/A, SHRY, SHRY/A, WKS, WKS/A, WKT2, WKT2/A, WKT4, WKT6, WMB0, WMB0/A, WMT4, WMT4/A	
5	17239-ZE1-000	COLLAR B, AIR CLEANER	1	1	1	-	-	-	----- QMC6, QMC6/A, SD16, SD16/A, SHRY, SHRY/A, WKS, WKS/A, WKT2, WKT2/A, WKT4, WKT6, WMB0, WMB0/A, WMT4, WMT4/A	
6	17410-ZE1-030	ELBOW COMP., AIR CLEANER	1	1	1	-	-	-	----- QMC6, QMC6/A, SD16, SD16/A, SHRY, SHRY/A, WKS, WKS/A, WKT2, WKT2/A, WKT4, WKT6, WMB0, WMB0/A, WMT4, WMT4/A	
7	17421-ZE1-000	CAP, CLEANER	1	1	1	-	-	-	----- QMC6, QMC6/A, SD16, SD16/A, SHRY, SHRY/A, WKS, WKS/A, WKT2, WKT2/A, WKT4, WKT6, WMB0, WMB0/A, WMT4, WMT4/A	
8	90325-044-000	NUT, TOOL BOX SETTING	1	1	1	-	-	-	----- QMC6, QMC6/A, SD16, SD16/A, SHRY, SHRY/A, WKS, WKS/A, WKT2, WKT2/A, WKT4, WKT6, WMB0, WMB0/A, WMT4, WMT4/A	
9	94050-06000	NUT, FLANGE, 6MM	2	2	2	-	-	-	----- QMC6, QMC6/A, SD16, SD16/A, SHRY, SHRY/A, WKS, WKS/A, WKT2, WKT2/A, WKT4, WKT6, WMB0, WMB0/A, WMT4, WMT4/A	
10	95701-06020-00	BOLT, FLANGE, 6X20	1	1	1	-	-	-	----- QMC6, QMC6/A, SD16, SD16/A, SHRY, SHRY/A, WKS, WKS/A, WKT2, WKT2/A, WKT4, WKT6, WMB0, WMB0/A, WMT4, WMT4/A	
11	17250-Z0T-810	GRID, AIR CLEANER	-	1	-	-	-	-	----- QMC6/A, SD16/A, SHRY/A, WKS/A, WKT2/A, WMB0/A, WMT4/A	
			-	1	-	-	-	-	----- 2205778 QMC6, SD16, SHRY, WKS, WKT2, WMB0, WMT4	
			-	-	1	-	-	-	----- QMC6, SD16, SHRY, WKS, WKT2, WMB0, WMT4	

E-15-2

AIR CLEANER(3)



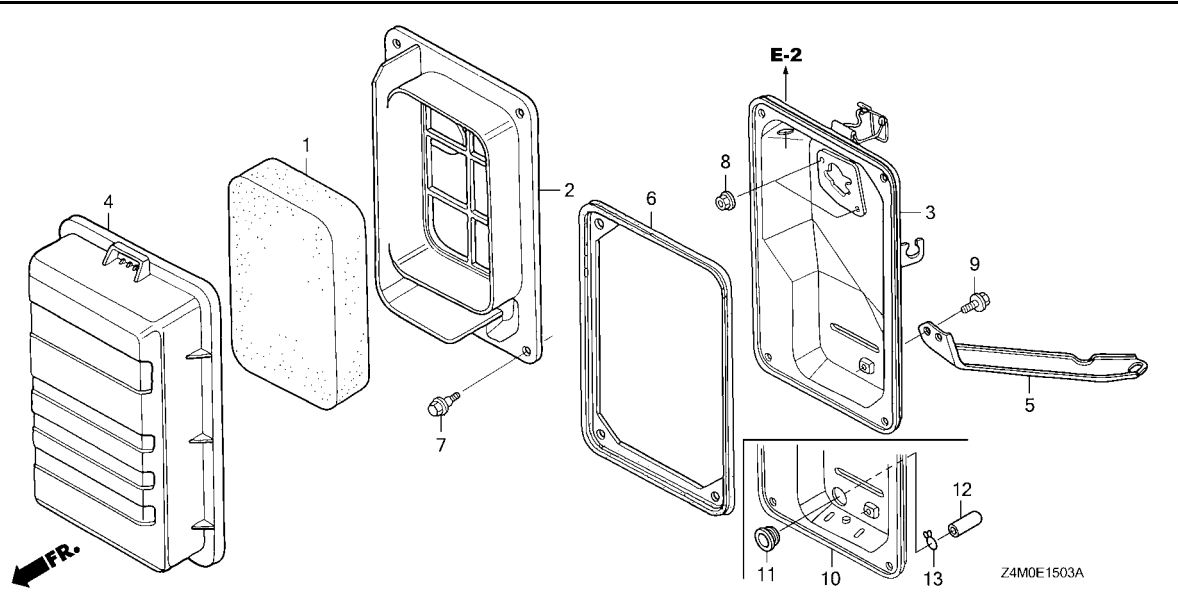
Ref. No.	L.O.N.	(Relative ref. Number) Description	F.R.T.
1	3121E1	PACKING, ELBOW	0.1
5	3121E5	PAN, AIR CLEANER OIL	0.1
6	3121B8	ELEMENT, AIR CLEANER	0.1
		.INCLUDES: Air cleaner element -inspection	
8	3121B4	ELBOW, AIR CLEANER	0.1

Ref. No.	Part No.	Description	Reqd. QTY						Serial No.	Parts catalogue code
			GX 160 UT1	GX 160 UT2	GX 160 UT2X	GX 160 RT1	GX 160 RT2	GX 160 RT2X		
1	16271-ZE1-000	PACKING, ELBOW	1	1	1	-	-	-	QA2, QA2/A, QA26, QME4, QME4/A, QMP4	
2	17238-ZE7-010	COLLAR, AIR CLEANER	2	2	2	-	-	-	QA2, QA2/A, QA26, QME4, QME4/A, QMP4	
3	17239-ZE1-000	COLLAR B, AIR CLEANER	1	1	1	-	-	-	QA2, QA2/A, QA26, QME4, QME4/A, QMP4	
4	17401-ZE1-810	BODY, CLEANER(OIL BATH)	1	1	1	-	-	-	QA2, QA2/A, QA26, QME4, QME4/A, QMP4	
5	17402-ZE1-810	PAN, CLEANER OIL(OIL BATH)	1	1	1	-	-	-	QA2, QA2/A, QA26, QME4, QME4/A, QMP4	
6	17403-ZE1-810	ELEMENT, AIR CLEANER(OIL BATH)	1	1	1	-	-	-	QA2, QA2/A, QA26, QME4, QME4/A, QMP4	
7	17404-841-000	GRID, AIR CLEANER	1	1	1	-	-	-	QA2, QA2/A, QA26, QME4, QME4/A, QMP4	
8	17410-ZE1-030	ELBOW COMP., AIR CLEANER	1	1	1	-	-	-	QA2, QA2/A, QA26, QME4, QME4/A, QMP4	
9	17421-ZE1-000	CAP, CLEANER	1	1	1	-	-	-	QA2, QA2/A, QA26, QME4, QME4/A, QMP4	
10	90325-044-000	NUT, TOOL BOX SETTING	1	1	1	-	-	-	QA2, QA2/A, QA26, QME4, QME4/A, QMP4	
11	94050-06000	NUT, FLANGE, 6MM	2	2	2	-	-	-	QA2, QA2/A, QA26, QME4, QME4/A, QMP4	
12	95701-06020-00	BOLT, FLANGE, 6X20	1	1	1	-	-	-	QA2, QA2/A, QA26, QME4, QME4/A, QMP4	



E-15-3

AIR CLEANER(4)



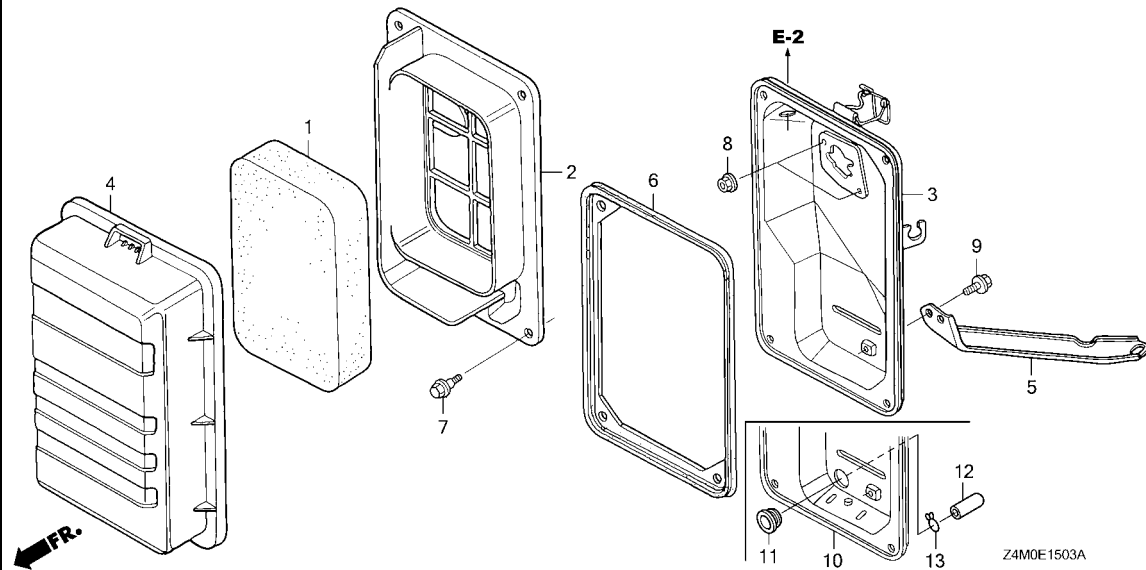
Ref. No.	L.O.N.	(Relative ref. Number) Description	F.R.T.
1	3121B8	ELEMENT, AIR CLEANERINCLUDES: Air cleaner element -inspection	0.1
2	3121F0	SEPARATOR, AIR CLEANER (10)	0.1
3	3121A5	CASE, AIR CLEANER	0.2
6	3121E8	SEAL, AIR CLEANER CASE	0.2

Ref. No.	Part No.	Description	Reqd. QTY						Serial No.	Parts catalogue code
			GX 160 UT1	GX 160 UT2	GX 160 UT2X	GX 160 RT1	GX 160 RT2	GX 160 RT2X		
1	17211-ZB2-000	ELEMENT, AIR CLEANER.....	1	-	-	-	1	1	-----	EMAN, EMAN/A, VES6, VES6/A, VPM4, VPM5, VPM8, VPM9, VPMN, VPR4, VPR9, VS17, VS19, VSD1, VWS, VWS1, VWS1/A, VWW2, VWWN, VWWN/A
2	17212-ZB2-800	SEPARATOR, AIR CLEANER.....	1	-	-	-	1	-	-----	EMAN, EMAN/A, VES6/A, VPMN, VWS1, VWS1/A, VWWN, VWWN/A
	17212-ZB2-000	-	-	-	-	1	-	-----	1405093 VES6
	17212-ZB2-800	-	-	-	-	1	-	-----	1405094 VES6
3	17220-ZB2-010	CASE COMP., AIR CLEANER.....	1	-	-	-	1	-	-----	EMAN, VES6, VWS1, VWWN
	17220-ZB2-000	-	-	-	-	1	-	-----	1405093 VES6
4	17231-ZB2-000	COVER, AIR CLEANER.....	1	-	-	-	1	1	-----	EMAN, EMAN/A, VES6, VES6/A, VPM4, VPM5, VPM8, VPM9, VPMN, VPR4, VPR9, VS17, VS19, VSD1, VWS, VWS1, VWS1/A, VWW2, VWWN, VWWN/A
5	17239-ZB2-000	STAY, AIR CLEANER.....	1	-	-	-	1	1	-----	EMAN, EMAN/A, VES6, VES6/A, VPM4, VPM5, VPM8, VPM9, VPMN, VPR4, VPR9, VS17, VS19, VSD1, VWS, VWS1, VWS1/A, VWW2, VWWN, VWWN/A
6	17252-ZB2-000	SEAL, AIR CLEANER.....	1	-	-	-	1	1	-----	EMAN, EMAN/A, VES6, VES6/A, VPM4, VPM5, VPM8, VPM9, VPMN, VPR4, VPR9, VS17, VS19, VSD1, VWS, VWS1, VWS1/A, VWW2, VWWN, VWWN/A
7	90115-459-770	BOLT, WINKER SETTING.....	4	-	-	-	-	-	-----	1111647 VPM4, VPM5, VPM8, VPM9, VPMN, VPR4, VPR9, VS17, VS19, VSD1, VWW2, VWWN
	90115-29J-000	4	-	-	-	-	-	-----	1111648 VPM4, VPM5, VPM8, VPM9, VPMN, VPR4, VPR9, VS17, VS19, VSD1, VWW2, VWWN
	90115-459-770	-	-	-	-	4	4	-----	EMAN, EMAN/A, VES6, VES6/A, VWS
	90115-29J-000	-	-	-	-	4	-	-----	VWS1, VWS1/A, VWWN/A
	90115-459-770	-	-	-	-	4	-	-----	1095090 VPM5, VS19, VWWN
	90115-29J-000	-	-	-	-	4	-	-----	1095091 VPM5, VS19, VWWN
8	94050-06080	NUT, FLANGE, 6MM.....	2	-	-	-	2	2	-----	VWS1, VWWN
		-	-	-	-	-	-	-----	EMAN, EMAN/A, VES6, VES6/A, VPM4, VPM5, VPM8, VPM9, VPMN, VPR4, VPR9, VS17, VS19, VSD1, VWS, VWS1, VWS1/A, VWW2, VWWN, VWWN/A
9	95701-06010-00	BOLT, FLANGE, 6X10.....	1	-	-	-	1	1	-----	EMAN, EMAN/A, VES6, VES6/A, VPM4, VPM5, VPM8, VPM9, VPMN, VPR4, VPR9, VS17, VS19, VSD1, VWS, VWS1, VWS1/A, VWW2, VWWN, VWWN/A



E-15-3

AIR CLEANER(4)

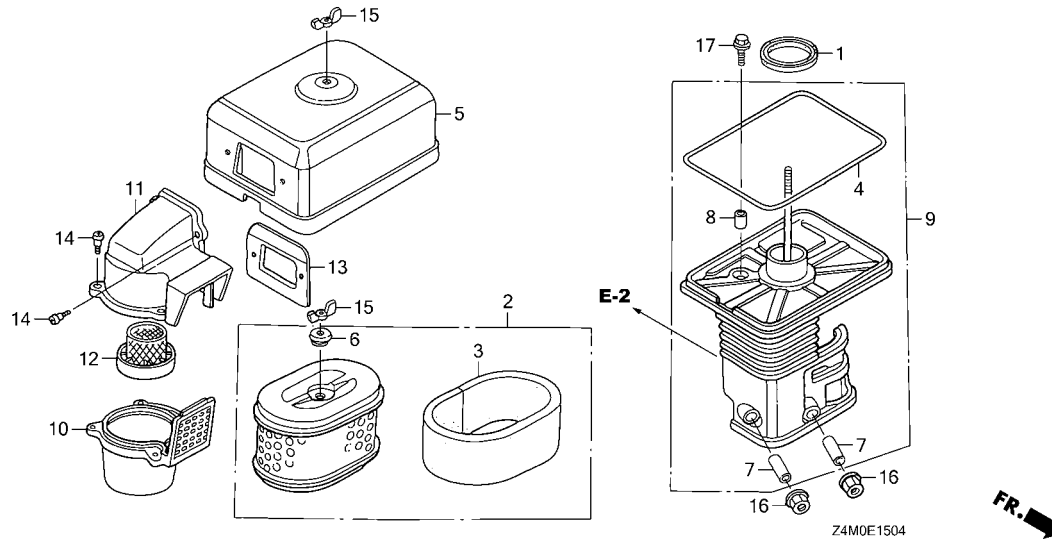


Ref. No.	Part No.	Description	Reqd. QTY						Serial No.	Parts catalogue code	
			GX 160 UT1	GX 160 UT2	GX 160 UT2X	GX 160 RT1	GX 160 RT2	GX 160 RT2X			
10	17220-ZB2-801	CASE COMP., AIR CLEANER.....	1	-	-	-	1	-	-----	EMAN/A, VES6/A, VPMN, VWS1, VWS1/A, VWWN, VWWN/A	
	17220-ZB2-800	-	-	-	-	1	-	-----	EMAN	
	17220-ZB2-801	-	-	-	-	-	1	1405094	-----	VES6
	17220-ZB2-801	-	-	-	-	-	1	-----	EMAN, VES6, VWS1, VWWN	
11	17232-898-000	GROMMET, AIR CLEANER.....	1	-	-	-	1	-	-----	EMAN, EMAN/A, VES6/A, VPMN, VWS1, VWS1/A, VWWN, VWWN/A	
			-	-	-	-	-	1	1405094	-----	VES6
			-	-	-	-	-	1	-----	EMAN, VES6, VWS1, VWWN	
12	90634-ZL8-H00	CAP, SEALING.....	1	-	-	-	1	-	-----	EMAN, EMAN/A, VES6/A, VPMN, VWS1, VWS1/A, VWWN, VWWN/A	
			-	-	-	-	-	1	1405094	-----	VES6
			-	-	-	-	-	1	-----	EMAN, VES6, VWS1, VWWN	
13	95002-02100	CLIP, TUBE(B10).....	1	-	-	-	1	-	-----	EMAN, EMAN/A, VES6/A, VPMN, VWS1, VWS1/A, VWWN, VWWN/A	
			-	-	-	-	-	1	1405094	-----	VES6
			-	-	-	-	-	1	-----	EMAN, VES6, VWS1, VWWN	



E-15-4

AIR CLEANER(5)



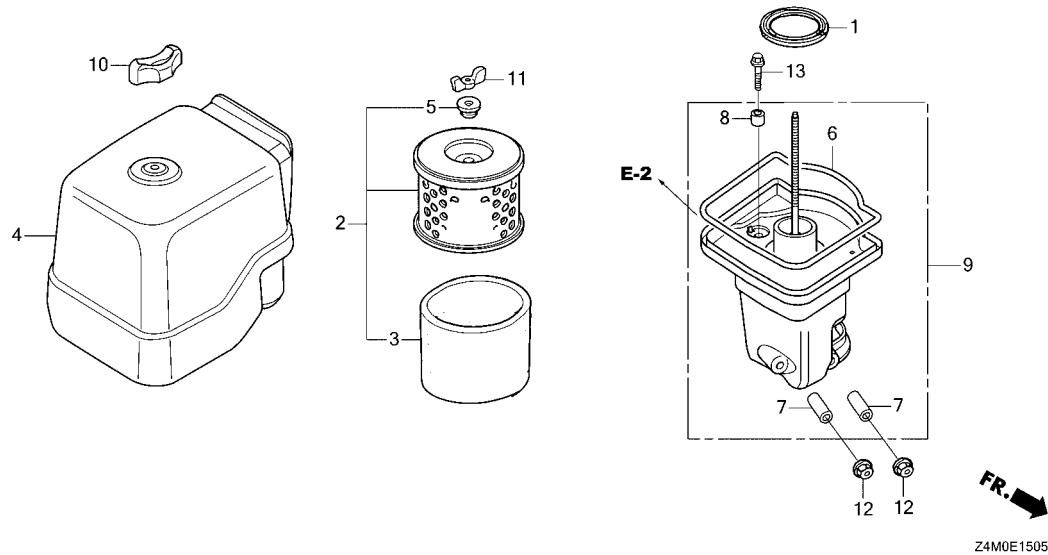
Ref. No.	L.O.N.	(Relative ref. Number) Description	F.R.T.
1	3121E1	PACKING, ELBOW	0.1
2	3121B8	ELEMENT, AIR CLEANER	0.1
		.INCLUDES: Air cleaner element -inspection	
3	3121C1	FILTER, OUTER	0.1
		.INCLUDES: Outer filter-inspection	
4	3121E0	PACKING, AIR CLEANER COVER ...	0.1
9	3121B4	ELBOW, AIR CLEANER	0.1
10	3121A6	CASE, PRE AIR CLEANER	0.1
11	3121A4	CAP, PRE AIR CLEANER	0.1
12	3121C8	GUIDE, PRE AIR CLEANER	0.1

Ref. No.	Part No.	Description	Reqd. QTY						Serial No.	Parts catalogue code
			GX 160 UT1	GX 160 UT2	GX 160 UT2X	GX 160 RT1	GX 160 RT2	GX 160 RT2X		
1	16271-ZE1-000	PACKING, ELBOW	1	1	-	-	-	-	----- QMXC, QNT4, QXC4, QXC9, SMXC, TXC9, VG29	
2	17210-ZE1-822	ELEMENT, AIR CLEANER(DUAL) ...	1	-	-	-	-	-	----- QNT4, QXC4, QXC9, TXC9, VG29	
	17210-Z4M-821	-	1	-	-	-	-	----- SMXC	
	17210-ZE1-822	-	1	-	-	-	-	----- TXC9	
	17210-Z4M-821	-	1	-	-	-	2204691	----- QMXC, QXC9, VG29	
3	17218-ZE1-821	FILTER, OUTER	1	1	-	-	-	2204692	----- QMXC, QXC9, VG29	
4	17219-733-010	PACKING, AIR CLEANER COVER ...	1	1	-	-	-	-	----- QMXC, QNT4, QXC4, QXC9, SMXC, TXC9, VG29	
5	17230-ZE1-841	COVER, AIR CLEANER(CYCLONE) ..	1	1	-	-	-	-	----- QMXC, QNT4, QXC4, QXC9, SMXC, TXC9, VG29	
6	17232-891-000	GROMMET, AIR CLEANER	1	1	-	-	-	-	----- QMXC, QNT4, QXC4, QXC9, SMXC, TXC9, VG29	
7	17238-ZE7-010	COLLAR, AIR CLEANER	2	2	-	-	-	-	----- QMXC, QNT4, QXC4, QXC9, SMXC, TXC9, VG29	
8	17239-733-000	COLLAR B, AIR CLEANER	1	1	-	-	-	-	----- QMXC, QNT4, QXC4, QXC9, SMXC, TXC9, VG29	
9	17410-ZE1-841	ELBOW COMP., AIR CLEANER	1	1	-	-	-	-	----- QMXC, QNT4, QXC4, QXC9, SMXC, TXC9, VG29	
10	17470-ZE1-842	CASE, PRE AIR CLEANER	1	1	-	-	-	-	----- QMXC, QNT4, QXC4, QXC9, SMXC, TXC9, VG29	
11	17475-ZE1-841	CAP, PRE AIR CLEANER	1	1	-	-	-	-	----- QMXC, QNT4, QXC4, QXC9, SMXC, TXC9, VG29	
12	17476-ZE1-841	GUIDE, PRE AIR CLEANER	1	1	-	-	-	-	----- QMXC, QNT4, QXC4, QXC9, SMXC, TXC9, VG29	
13	17478-ZE1-841	PLATE, PRE AIR CLEANER	1	1	-	-	-	-	----- QMXC, QNT4, QXC4, QXC9, SMXC, TXC9, VG29	
14	90300-GB0-900	BOLT, MUDGUARD	5	5	-	-	-	-	----- QMXC, QNT4, QXC4, QXC9, SMXC, TXC9, VG29	
15	90325-044-000	NUT, TOOL BOX SETTING	2	2	-	-	-	-	----- QMXC, QNT4, QXC4, QXC9, SMXC, TXC9, VG29	
16	94050-06000	NUT, FLANGE, 6MM	2	2	-	-	-	-	----- QMXC, QNT4, QXC4, QXC9, SMXC, TXC9, VG29	
17	95701-06020-00	BOLT, FLANGE, 6X20	1	1	-	-	-	-	----- QMXC, QNT4, QXC4, QXC9, SMXC, TXC9, VG29	

2

E-15-5

AIR CLEANER(6)



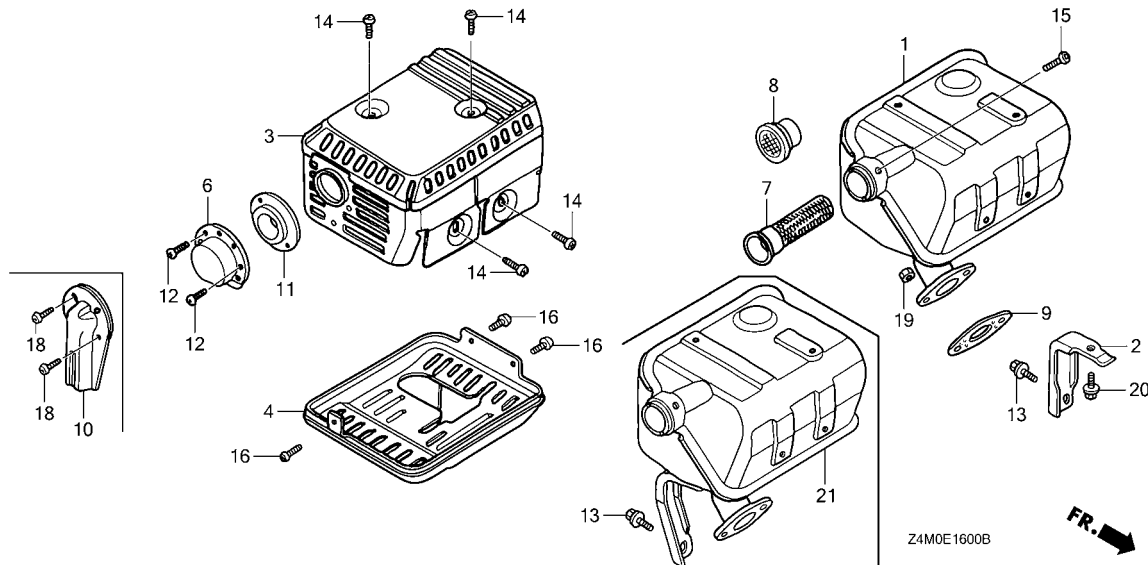
Ref. No.	L.O.N.	(Relative ref. Number) Description	F.R.T.
1	3121E1	PACKING, ELBOW	0.1
2	3121B8	ELEMENT, AIR CLEANER	0.1
		.INCLUDES: Air cleaner element -inspection	
3	3121C1	FILTER, OUTER	0.1
		.INCLUDES: Outer filter-inspection	
6	3121E9	SEAL, AIR CLEANER COVER	0.1
9	3121B4	ELBOW, AIR CLEANER	0.1

Ref. No.	Part No.	Description	Reqd. QTY						Serial No.	Parts catalogue code
			GX 160 UT1	GX 160 UT2	GX 160 UT2X	GX 160 RT1	GX 160 RT2	GX 160 RT2X		
1	16271-ZE1-000	PACKING, ELBOW	-	1	1	-	-	-	QC9, QC9/A, QCM, QCM/A, SCM, SCM/A, VCG, VCG/A	
2	17210-Z0V-781	ELEMENT, AIR CLEANER	-	1	1	-	-	-	QC9, QC9/A, QCM, QCM/A, SCM, SCM/A, VCG, VCG/A	
3	17218-Z0V-780	FILTER, OUTER	-	1	1	-	-	-	QC9, QC9/A, QCM, QCM/A, SCM, SCM/A, VCG, VCG/A	
4	17230-Z0V-780	COVER ASSY., AIR CLEANER	-	1	-	-	-	-	QC9, QCM, SCM, VCG	
	17230-Z0V-781	-	1	-	-	-	4313593	QC9/A, QCM/A, SCM/A, VCG/A	
	17230-Z0V-781	-	1	-	-	-	4313594	QC9/A, QCM/A, SCM/A, VCG/A	
5	17232-891-000	GROMMET, AIR CLEANER	-	1	1	-	-	-	QC9, QCM, SCM	
	17232-891-000	-	1	1	-	-	-	QC9, QC9/A, QCM, QCM/A, SCM, SCM/A, VCG, VCG/A	
6	17233-Z0V-780	SEAL, AIR CLEANER COVER	-	1	1	-	-	-	QC9, QC9/A, QCM, QCM/A, SCM, SCM/A, VCG, VCG/A	
7	17238-ZE7-010	COLLAR, AIR CLEANER	-	2	2	-	-	-	QC9, QC9/A, QCM, QCM/A, SCM, SCM/A, VCG, VCG/A	
8	17239-ZE3-840	COLLAR B, AIR CLEANER	-	1	1	-	-	-	QC9, QC9/A, QCM, QCM/A, SCM, SCM/A, VCG, VCG/A	
9	17410-Z0V-780	ELBOW COMP., AIR CLEANER	-	1	1	-	-	-	QC9, QC9/A, QCM, QCM/A, SCM, SCM/A, VCG, VCG/A	
10	90300-Z4M-800	NUT, AIR CLEANER	-	1	1	-	-	-	QC9, QC9/A, QCM, QCM/A, SCM, SCM/A, VCG, VCG/A	
11	90325-044-000	NUT, TOOL BOX SETTING	-	1	1	-	-	-	QC9, QC9/A, QCM, QCM/A, SCM, SCM/A, VCG, VCG/A	
12	94050-06000	NUT, FLANGE, 6MM	-	2	2	-	-	-	QC9, QC9/A, QCM, QCM/A, SCM, SCM/A, VCG, VCG/A	
13	95701-06020-00	BOLT, FLANGE, 6X20	-	1	1	-	-	-	QC9, QC9/A, QCM, QCM/A, SCM, SCM/A, VCG, VCG/A	



E-16

MUFFLER(1)



Ref. No.	L.O.N.	(Relative ref. Number) Description	F.R.T.
1	(21)		
3131C5		MUFFLER, EXHAUST	0.2
3131D6		PROTECTOR, EXHAUST MUFFLER ...	0.2
3131D2		PROTECTOR, EXHAUST MUFFLER :LOWER	0.2
6	(10)		
3131A8		DEFLECTOR, EXHAUST MUFFLER ...	0.1
3131A1		ARRESTER, SPARK	0.2
		.INCLUDES: Spark arrester check	
3131C6		NETTING, WIRE FLANGE	0.2
3131B4		GASKET, EXHAUST MUFFLER	0.2

Ref. No.	Part No.	Description	Reqd. QTY						Serial No.	Parts catalogue code
			GX 160 UT1	GX 160 UT2	GX 160 UT2X	GX 160 RT1	GX 160 RT2	GX 160 RT2X		
1	18310-ZH8-810	MUFFLER COMP.(ARRESTER)	(1)	-	-	(1)	-	-	-----	HH26, HHQ4, HX2, HX4, HXE8, HXU, LHQ4, LX2, LX26, LX4, LXU, PXU QAX2, QAX4, QBT6, QCB2, QCL, QGR9, QH26, QHG4, QHQ4, QHQU, QKA4 QMC6, QMC8, QMD6, QME4, QMP4, QPU, QW24, QWA4, QWW2, QWX2, QX2 QX26, QX4, QX7, QX9, QXC4, QXC9, QXE2, QXE4, QXE5, QXE8, QXF2 QXP2, QXS2, QXU, QXW, QXWE, RH2, RHG4, RHQ4, RTB2, RX4, RXE2 RXP2, RXU, SD16, SG22, SG24, SHQ4, SHQU, SMC7, SMC9, SXS2, SWG4 SWX2, SX2, SX4, SX7, SX9, SXE4, SXE5, SXS, SXU, TCS2, TW24, TX2 TX26, TX4, TXC9, TXU, UXU, VG24, VG29, VGE2, VGE4, VGE5, VHA9 VHH4, VMS4, VPM4, VPM5, VPM8, VPM9, VPMN, VPR4, VPR9, VS17 VS19, VSD, VSD1, VSD2, VSD7, VSD9, VWW2, VWWN, VX2, VX4, VXE9 VXU1, VXW2, WKS, WMB0
	18310-ZF1-000	MUFFLER COMP.(STD.)	1	-	-	-	-	-	-----	HH26, HHQ4, HX2, HX4, HXE8, HXU, LHQ4, LX2, LX26, LX4, LXU, PXU QAX2, QAX4, QBT6, QCB2, QCL, QGR9, QH26, QHQ4, QHQU, QMC6, QME4 QMP4, QPU, QW24, QWW2, QWX2, QX2, QX26, QX4, QXE2, QXE4, QXE5, QXE8, QXF2, QXP2, QXS2, QXU, QXW, QXWE, RH2, RHQ4, RX4, RXE2 RXP2, RXU, SD16, SHQ4, SHQU, SWX2, SX2, SX4, SXE4, SXE5, SXU TCS2, TW24, TX2, TX26, TX4, TXC9, TXU, UXU, VHH4, VSD, VX2, VX4, VXU1, VXW2, WKS, WMB0
	18310-ZH8-810	MUFFLER COMP.(ARRESTER)	1	-	-	-	-	-	-----	QA2, QA26, QBC2, QBM2, QM22, QNT, QNT4, SXS2, SXS4, TXDU, VA2 VWA2, WKT2, WKT4, WKT6
	18310-ZE1-821	MUFFLER COMP.(SILENT)	1	-	-	-	-	-	-----	QMC8, QMD6, QWA4, QXC4, QXC9, RTB2, SG22, SG24, SMC7, SMC9 VG24, VG29, VMS4
	18310-Z8K-870	1	-	-	-	-	-	-----	QX7, QX9, SX7, SX9, SXS, VHA9, VSD2, VSD7, VSD9, VXE9
	18310-ZH8-T30	MUFFLER COMP.(SAKAI-ARRESTER)	1	-	-	-	-	-	-----	SSX2

E-16

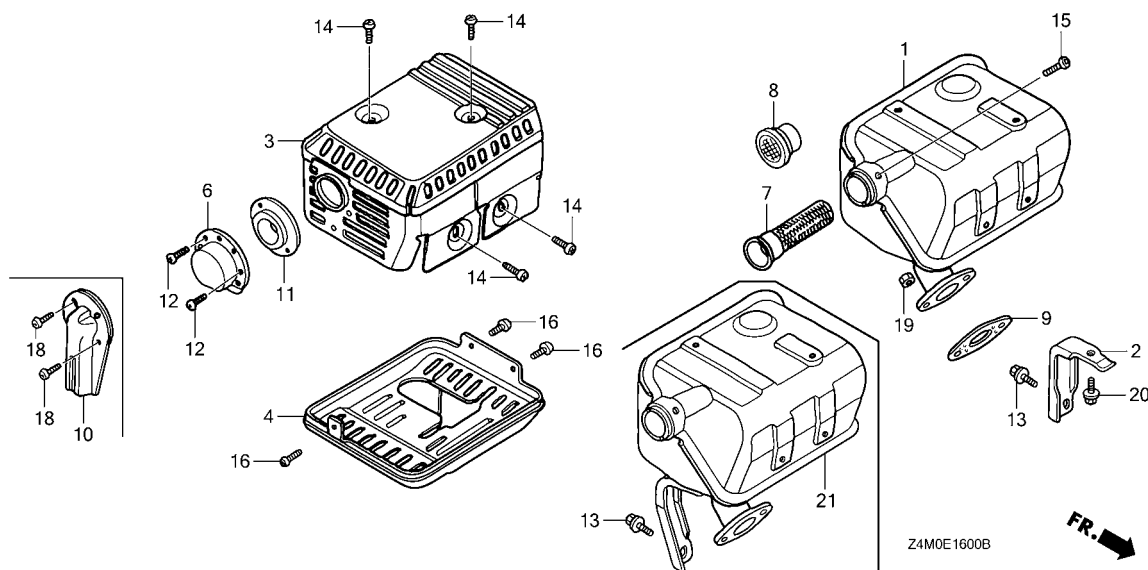
MUFFLER(1)

Ref. No.	Part No.	Description	Reqd. QTY						Serial No.	Parts catalogue code
			GX UT1	GX UT2	GX UT2X	GX RT1	GX RT2	GX RT2X		
(1)	18310-Z4M-010	MUFFLER COMP.	-	1	1	-	1	-	HH26, HH26/A, HHQ4, HX2, HX2/A, HX4, HX4/A, HXE8, HXE8/A, LHN4 LHN4/A, LHQ4, LX2, LX2/A, LX4, LX4/A, PXU, PXU/A, QAX2, QAX4 QAX4/A, QGR9, QGR9/A, QH26, QH26/A, QHQ4, QHQ4/A, QMC6 QMC6/A, QME4, QME4/A, QMP4, QPU, QWX2, QWX2/A, QX2, QX2/A, QX4 QX4/A, QXE2, QXE2/A, QXE5, QXE5/A, QXE8, QXEB, QXGB, QXS2 QXS2/A, QXU, QXU/A, QXWE, QXWE/A, RH2, RH2/A, RHQ4, RHQ4/A RX4, RX4/A, RXE2, RXE2/A, RXU, RXU/A, SD16, SD16/A, SHQ4 SHQ4/A, SHRY, SHRY/A, SWX2, SWX2/A, SX4, SX4/A, SXE5, SXE5/A SXU, SXU/A, TX2, TX2/A, TX4, TX4/A, TXC9, UXU, UXU/A, VHH4 VHH4/A, VX2, VX2/A, VXU1, VXU1/A, WKS, WKS/A, WMB0, WMB0/A LXM2, LXM2/A, QA2, QA2/A, QBC2, QBM2, QBM2/A, QXM2, S1CY S1CY/A, SMW2, SMW2/A, SXS4, SXS4/A, TXDU, TXDU/A, VA2, VA2/A WKT2, WKT2/A, WMT4, WMT4/A	
	18310-Z4M-811	MUFFLER COMP.(ARRESTER)	-	1	1	-	-	-	SSX2, SSX2/A	
	18310-Z4M-T31	MUFFLER COMP.(SAKAI-ARRESTER)	-	1	1	-	-	-	EMAN, EMAN/A, HH26, HH26/A, HHQ4, HX2, HX2/A, HX4, HX4/A, HXE8 HXE8/A, LHN4, LHN4/A, LHQ4, LX2, LX2/A, LX4, LX4/A, LXM2 LXM2/A, PXU, PXU/A, QA2, QA2/A, QAX2, QAX4, QAX4/A, QBC2, QBM2 QBM2/A, QC9, QC9/A, QCM, QCM/A, QGR9, QGR9/A, QH26, QH26/A QHG4, QHG4/A, QHQ4, QHQ4/A, QMC6, QMC6/A, QMC8, QMC8/A, QMD6 QMD6/A, QME4, QME4/A, QMP4, QMX2, QMX2/A, QMXC, QPU, QWA4 QWA4/A, QWX2, QWX2/A, QX2, QX2/A, QX4, QX4/A, QX9, QX9/A, QXC9 QXE2, QXE2/A, QXE5, QXE5/A, QXE8, QXEB, QXGB, QXM2, QXS2 QXS2/A, QXU, QXU/A, QXWE, QXWE/A, RH2, RH2/A, RHG4, RHG4/A RHQ4, RHQ4/A, RX4, RX4/A, RXE2, RXE2/A, RXU, RXU/A, S1CY S1CY/A, SCM, SCM/A, SD16, SD16/A, SG24, SG24/A, SHCC, SHCC/A SHQ4, SHQ4/A, SHRY, SHRY/A, SMC7, SMC7/A, SMC9, SMC9/A, SMW2 SMW2/A, SMX4, SMX4/A, SMXC, SMXE, SMXE/A, SSX2, SSX2/A, SWG4 SWG4/A, SWX2, SWX2/A, SX4, SX4/A, SX9, SX9/A, SXE5, SXE5/A SXS4, SXS4/A, SXU, SXU/A, TX2, TX2/A, TX4, TX4/A, TXC9, TXDU TXDU/A, UXU, UXU/A, VA2, VA2/A, VCG, VCG/A, VES6, VES6/A, VG25 VG25/A, VG29, VGE4, VGE5, VHH4, VHH4/A, VPM5, VS19, VSD9 VSD9/A, VWS1, VWS1/A, VWWN, VWWN/A, VX2, VX2/A, VXE9, VXE9/A VXU1, VXU1/A, WKS/A, WKT2, WKT2/A, WMB0, WMB0/A	
	18310-Z4M-811	MUFFLER COMP.(ARRESTER)	-	(1)	-	-	(1)	(1)	WKS	
	18310-Z4M-810	-	(1)	-	-	-	-	HH26, HX2, HX4, HXE8, LX2, LX4, PXU, QAX4, QC9, QCM, QGR9, QH26 QHQ4, QMC6, QMC8, QMD6, QME4, QMX2, QWA4, QX2, QX4, QX9, QXE2 QXE5, QXEB, QXGB, QXU, QXWE, RH2, RHQ4, RX4, RXE2, SCM, SD16 SG24, SHCC, SHQ4, SHRY, SMC7, SMX4, SMXE, SSX2, SWX2, SX4, SXE5 SXU, TX2, TX4, UXU, VG25, VSD9, VXE9, WKS, WMB0	
	18310-Z4M-811	-	-	(1)	-	-	-	QMC8, QMD6, QWA4, QX7, QX9, QXC4, QXC9, RTB2, SG22, SG24, SMC7 SMC9, SX7, SX9, SXS, VG24, VG29, VHA9, VMS4, VSD2, VSD7, VSD9 VXE9	
2	18315-ZE1-000	STAY, MUFFLER	1	-	-	-	-	-	2426026	
3	18320-ZF1-H01	PROTECTOR, MUFFLER(STD.) (BLACK)	1	-	-	1	-	-	HH26, HHQ4, HX2, HX4, HXE8, HXU, LHQ4, LX2, LX26, LX4, LXU, PXU QA2, QA26, QAX2, QBC2, QBM2, QBT6, QCB2, QCL, QGR9, QH26, QHG4 QHQ4, QMC6, QME4, QMP4, QMZ2, QNT, QNT4, QPU, QW24, QWW2, QWX2 QX2, QX26, QX4, QXE2, QXE4, QXE5, QXE8, QXF2, QXS2, QXU, QXW QXWE, RH2, RHG4, RHQ4, RX4, RXE2, RXU, SD16, SHQ4, SSX2, SWX2 SX4, SXE4, SXE5, SXS4, SXU, TCS2, TW24, TX2, TX26, TX4, TXC9 TXDU, TXU, UXU, VA2, VHH4, VSD, VWA2, VX2, VX4, VXU1, VXW2, WKS WKT2, WKT4, WKT6, WMB0	



E-16

MUFFLER(1)



Ref. No.	Part No.	Description	Reqd. QTY						Serial No.	Parts catalogue code
			GX 160 UT1	GX 160 UT2	GX 160 UT2X	GX 160 RT1	GX 160 RT2	GX 160 RT2X		
(3)	18320-ZF1-H02	PROTECTOR, MUFFLER(STD.) (BLACK)	1	-	-	1	-	-	2426027	----- HH26, HHQ4, HX2, HX4, HXE8, HXU, LHQ4, LX2, LX26, LX4, LXU, PXU QA2, QA26, QAX2, QBC2, QBM2, QBT6, QCB2, QCL, QGR9, QH26, QHG4 QHQ4, QMC6, QME4, QMP4, QMZ2, QNT, QNT4, QPU, QW24, QWW2, QWX2 QX2, QX26, QX4, QXE2, QXE4, QXE5, QXE8, QXF2, QXS2, QXU, QXW QXWE, RH2, RHG4, RHQ4, RX4, RXE2, RXU, SD16, SHQ4, SSX2, SWX2 SX4, SXE4, SXE5, SXS4, SXU, TCS2, TW24, TX2, TX26, TX4, TXC9 TXDU, TXU, UXU, VA2, VHH4, VSD, VWA2, VX2, VX4, VXU1, VXW2, WKS WKT2, WKT4, WKT6, WMB0
	18320-ZF1-H52	PROTECTOR, MUFFLER(SILENT) ...	1	-	-	-	-	-	-----	----- QAX4, QHQU, QXP2, RXP2, SHQU, SX2, SXS2
	18320-ZF1-H51	1	-	-	-	-	-	-----	----- QXC4, SG22, SXS, VSD2
	18320-ZF1-H52	1	-	-	-	-	-	2434055	----- QMC8, QMD6, QWA4, QX7, QX9, QXC9, RTB2, SG24, SMC7, SMC9, SX7 SX9, VG24, VG29, VHA9, VMS4, VSD7, VSD9, VXE9
	18320-ZF1-H52	1	-	-	-	-	-	2434056	----- QMC8, QMD6, QWA4, QX7, QX9, QXC9, RTB2, SG24, SMC7, SMC9, SX7 SX9, VG24, VG29, VHA9, VMS4, VSD7, VSD9, VXE9

E-16

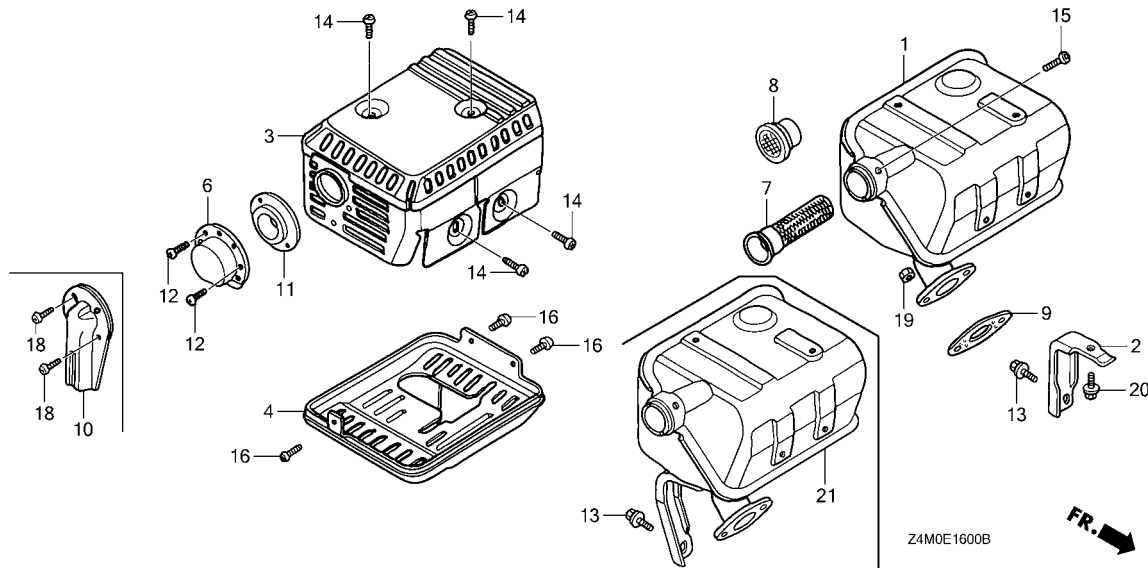
MUFFLER(1)

Ref. No.	Part No.	Description	Reqd. QTY						Serial No.	Parts catalogue code
			GX 160 UT1	GX 160 UT2	GX 160 UT2X	GX 160 RT1	GX 160 RT2	GX 160 RT2X		
(3)	18320-Z4M-000	PROTECTOR COMP., MUFFLER(STD.)	-	1	1	-	1	1	-----	HH26, HH26/A, HHQ4, HX2, HX2/A, HX4, HX4/A, HXE8, HXE8/A, LHN4, LHN4/A, LHQ4, LX2, LX2/A, LX4, LX4/A, LXM2, LXM2/A, PXU, PXU/A, QA2, QA2/A, QAX2, QAX4, QAX4/A, QBC2, QBM2, QBM2/A, QCM, QCM/A, QGR9, QGR9/A, QH26, QH26/A, QHG4, QHG4/A, QHQ4, QHQ4/A, QMC6, QMC6/A, QME4, QME4/A, QMP4, QMX2, QMX2/A, QMXC, QPU, QWX2, QWX2/A, QX2, QX2/A, QX4, QX4/A, QXE2, QXE2/A, QXE5, QXE5/A, QXE8, QXE8, QXGB, QXM2, QXS2, QXS2/A, QXU, QXU/A, QXWE, QXWE/A, RH2, RH2/A, RHG4, RHG4/A, RHQ4, RHQ4/A, RX4, RX4/A, RXE2, RXE2/A, RXU, RXU/A, S1CY, S1CY/A, SCM, SCM/A, SD16, SD16/A, SHQ4, SHQ4/A, SHRY, SHRY/A, SMM2, SMM2/A, SMX4, SMX4/A, SMXC, SMXE, SMXE/A, SSS2, SSS2/A, SWX2, SWX2/A, SX4, SX4/A, SXE5, SXE5/A, SXS4, SXS4/A, SXU, SXU/A, TX2, TX2/A, TX4, TX4/A, TXC9, TXDU, TXDU/A, UXU, UXU/A, VA2, VA2/A, VHH4, VHH4/A, VX2, VX2/A, VXU1, VXU1/A, WKS, WKS/A, WKT2, WKT2/A, WMB0, WMB0/A, WMT4, WMT4/A
	18320-Z4V-000	PROTECTOR COMP., MUFFLER.....	-	1	1	-	-	-	-----	QC9, QC9/A, QMC8, QMC8/A, QMD6, QMD6/A, QWA4, QWA4/A, QX9, QX9/A, QXC9, SG24, SG24/A, SHCC, SHCC/A, SMC7, SMC7/A, SMC9, SMC9/A, SX9, SX9/A, VCG, VCG/A, VG25, VG25/A, VG29, VSD9, VSD9/A, VXE9, VXE9/A
4	18325-ZE1-010	PROTECTOR, LOWER.....	1	1	1	-	-	-	-----	QGR9, QGR9/A, QXGB, QXS2, QXS2/A, SHRY, SHRY/A
6	18340-ZE1-010	DEFLECTOR COMP.....	1	-	-	-	-	-	-----	QA2, QA26, QBT6, QMC6, QMP4, QMZ2, QNT, QNT4, QPU, QWW2, QWX2, QXU, SSS2, SWX2, SXS2, SXS4, SXU, TXDU
	18331-883-810	CAP, MUFFLER.....	1	-	-	-	-	-	-----	QMC8, QWA4, QXC4, QXC9, SG22, SG24, SMC7, VG24, VG29
	18340-ZE1-010	DEFLECTOR COMP.....	-	1	-	-	-	-	-----	QMX2, S1CY, SMM2, SSS2
7	18355-ZE1-000	ARRESTER, SPARK.....	1	1	1	-	-	-	-----	LXM2, LXM2/A, QA2, QA2/A, QA26, QBC2, QBM2, QBM2/A, QCM, QCM/A, QMX2, QMX2/A, QMXC, QMZ2, QNT, QNT4, QXM2, S1CY, S1CY/A, SCM, SCM/A, SMM2, SMM2/A, SMXC, SSS2, SSS2/A, SXS2, SXS4, SXS4/A, TXDU, TXDU/A, VA2, VA2/A, VWA2, WKT2, WKT2/A, WKT4, WKT6, WMT4, WMT4/A
			(1)	(1)	-	(1)	(1)	(1)	-----	EMAN, EMAN/A, HH26, HH26/A, HHQ4, HX2, HX2/A, HX4, HX4/A, HXE8, HXE8/A, HXU, LHN4, LHN4/A, LHQ4, LX2, LX2/A, LX26, LX4, LX4/A, LXU, PXU, PXU/A, QAX2, QAX4, QAX4/A, QBT6, QC9, QC9/A, QCB2, QCL, QGR9, QGR9/A, QH26, QH26/A, QHG4, QHG4/A, QHQ4, QHQ4/A, QHQ4, QKA4, QMC6, QMC6/A, QMC8, QMC8/A, QMD6, QMD6/A, QME4, QME4/A, QMP4, QMXC, QPU, QW24, QWA4, QWA4/A, QWW2, QWX2, QWX2/A, QX2, QX2/A, QX26, QX4, QX4/A, QX7, QX9, QX9/A, QXC4, QXC9, QXE2, QXE2/A, QXE4, QXE5, QXE5/A, QXE8, QXE8, QXF2, QXGB, QXP2, QXS2, QXS2/A, QXU, QXU/A, QXW, QXWE, QXWE/A, RH2, RH2/A, RHG4, RHG4/A, RHQ4, RHQ4/A, RTB2, RX4, RX4/A, RXE2, RXE2/A, RXP2, RXU, RXU/A, SCM, SD16, SD16/A, SG22, SG24, SG24/A, SHCC, SHCC/A, SHQ4, SHQ4/A, SHQU, SHRY, SHRY/A, SMC7, SMC7/A, SMC9, SMC9/A, SMX4, SMX4/A, SMXC, SMXE, SMXE/A, SWG4, SWG4/A, SWX2, SWX2/A, SX2, SX4, SX4/A, SX7, SX9, SX9/A, SXE4, SXE5, SXE5/A, SXS, SXU, SXU/A, TCS2, TW24, TX2, TX2/A, TX26, TX4, TX4/A, TXC9, TXU, UXU, UXU/A, VCG, VCG/A, VES6, VES6/A, VG24, VG25, VG25/A, VG29, VGE2, VGE4, VGE5, VHA9, VHH4, VHH4/A, VMS4, VPM4, VPM5, VPM8, VPM9, VPMN, VPR4, VPR9, VS17, VS19, VSD, VSD1, VSD2, VSD7, VSD9, VSD9/A, VWS1, VWS1/A, VWW2, VWWN, VWWN/A, VX2, VX2/A, VX4, VXE9, VXE9/A, VXU1, VXU1/A, VXX2, WKS, WKS/A, WMB0, WMB0/A
	18355-ZE1-810	ARRESTER, SPARK(SILENT).....	1	-	-	-	-	-	-----	QMC8, QMD6, QWA4, QXC4, QXC9, SG22, SG24, SMC7, SMC9, VG24, VG29, VMS4
	18355-ZL0-000	ARRESTER, SPARK.....	-	1	1	-	-	-	-----	QC9, QC9/A, QMC8, QMC8/A, QMD6, QMD6/A, QWA4, QWA4/A, QXC9, SG24, SG24/A, SMC7, SMC7/A, SMC9, SMC9/A, VCG, VCG/A, VG25, VG25/A, VG29
	18545-Z0V-890	SCREEN COMP.....	-	1	1	-	-	-	-----	SHCC, SHCC/A
	18355-ZE1-000	ARRESTER, SPARK.....	-	-	(1)	-	-	-	-----	



E-16

MUFFLER(1)



Ref. No.	Part No.	Description	Reqd. QTY						Serial No.	Parts catalogue code
			GX 160 UT1	GX 160 UT2	GX 160 UT2X	GX 160 RT1	GX 160 RT2	GX 160 RT2X		
8	18361-ZL0-000	NETTING, WIRE FLANGE.....	1	1	1	-	-	-	-----	QX7, QX9, QX9/A, SX7, SX9, SX9/A, SXS, VHA9, VSD2, VSD7, VSD9, VSD9/A, VXE9, VXE9/A
9	18381-Z0T-801	GASKET, MUFFLER.....	1	-	-	1	-	-	-----	HH26, HHQ4, HX2, HX4, HXE8, HXU, QAX2, QAX4, QBM2, QHG4, QHQ4, QKA4, QNT4, QXC4, QXC9, QXE4, QXE5, QXE8, QXP2, QXW, QXWE, RH2, RHG4, RHQ4, RTB2, RX4, RXE2, RXP2, RXU, SG22, SHQU, SSX2, SWG4, SX2, SXE4, SXE5, SXS, SXS2, TXC9, TXDU, UXU, VG29, VSD2, WMB0, HH26, HHQ4, HX4, HXE8, HXU, QAX2, QKA4, QNT4, QXE4, QXE5, QXE8, RHG4, RHQ4, RTB2, RX4, RXU, SSX2, SWG4, SXE4, SXE5, TXC9, UXU, VG29, WMB0
	18381-ZH8-800	(1)	-	-	(1)	-	-	-----	VGE2, VGE4, VGE5, VPM4
			1	-	-	-	-	-	-----	1394710
			1	-	-	-	-	-	-----	LHQ4, LX2, LX26, LX4, LXU, PXU, QA2, QA26, QBC2, QBT6, QCB2, QCL, QGR9, QH26, QHQ4, QMC6, QMC8, QMD6, QME4, QMP4, QMZ2, QNT, QPU, QW24, QWA4, QWW2, QWX2, QX2, QX26, QX4, QX7, QX9, QXE2, QXF2, QXS2, QXU, SD16, SG24, SHQ4, SMC7, SMC9, SWX2, SX4, SX7, SX9, SXS4, SXU, TCS2, TW24, TX2, TX26, TX4, TXU, VA2, VG24, VHA9, VHH4, VMS4, VSD, VSD7, VSD9, VVA2, VX2, VX4, VXE9, VXU1, VXW2, WKS, WKT2, WKT4, WKT6

E-16

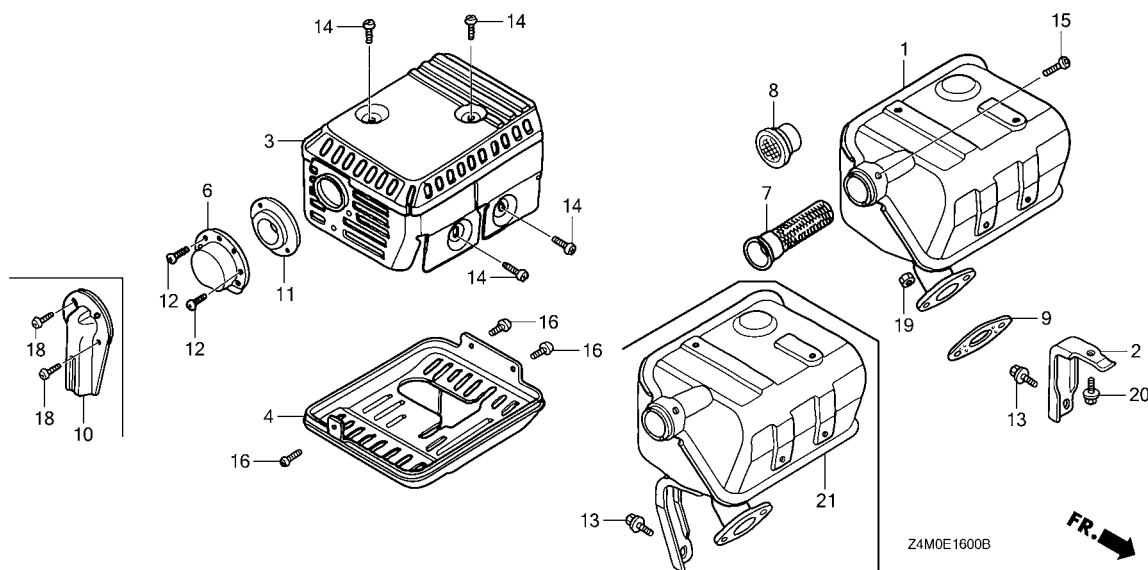
MUFFLER(1)

Ref. No.	Part No.	Description	Reqd. QTY						Serial No.	Parts catalogue code
			GX 160 UT1	GX 160 UT2	GX 160 UT2X	GX 160 RT1	GX 160 RT2	GX 160 RT2X		
(9)	18381-Z0T-801	GASKET, MUFFLER.....	1	-	-	-	-	-	1394711 -----	LHQ4, LX2, LX26, LX4, LXU, PXU, QA2, QA26, QBC2, QBT6, QCB2, QCL QGR9, QH26, QHQ4, QMC6, QMC8, QMD6, QME4, QMP4, QM22, QNT, QPU QW24, QWA4, QWW2, QWX2, QX2, QX26, QX4, QX7, QX9, QXE2, QXF2 QXS2, QXU, SD16, SG24, SHQ4, SMC7, SMC9, SWX2, SX4, SX7, SX9 SXS4, SXU, TCS2, TW24, TX2, TX26, TX4, TXU, VA2, VG24, VHA9 VHH4, VMS4, VSD, VSD7, VSD9, VWA2, VX2, VX4, VXE9, VXU1, VXW2 WKS, WKT2, WKT4, WKT6
			-	1	1	-	1	1	-----	HH26, HH26/A, HHQ4, HX2, HX2/A, HX4, HX4/A, HXE8, HXE8/A, LHN4 LHN4/A, LHQ4, LX2, LX2/A, LX4, LX4/A, LXM2, LXM2/A, PXU, PXU/A QA2, QA2/A, QAX2, QAX4, QAX4/A, QBC2, QBM2, QBM2/A, QC9, QC9/A QCM, QCM/A, QGR9, QGR9/A, QH26, QH26/A, QHG4, QHG4/A, QHQ4 QHQ4/A, QMC6, QMC6/A, QMC8, QMC8/A, QMD6, QMD6/A, QME4 QME4/A, QMP4, QMX2, QMX2/A, QMXC, QPU, QWA4, QWA4/A, QWX2 QWX2/A, QX2, QX2/A, QX4, QX4/A, QX9, QX9/A, QXC9, QXE2, QXE2/A QXE5, QXE5/A, QXE8, QXEB, QXGB, QXM2, QXS2, QXS2/A, QXU, QXU/A QXWE, QXWE/A, RH2, RH2/A, RHG4, RHG4/A, RHQ4, RHQ4/A, RX4 RX4/A, RXE2, RXE2/A, RXU, RXU/A, S1CY, S1CY/A, SCM, SCM/A SD16, SD16/A, SG24, SG24/A, SHCC, SHCC/A, SHQ4, SHQ4/A, SHRY SHRY/A, SMC7, SMC7/A, SMC9, SMC9/A, SMW2, SMW2/A, SMX4 SMX4/A, SMXC, SMXE, SMXE/A, SSS2, SSS2/A, SWG4, SWG4/A, SWX2 SWX2/A, SX4, SX4/A, SX9, SX9/A, SXE5, SXE5/A, SXS4, SXS4/A SXU, SXU/A, TX2, TX2/A, TX4, TX4/A, TXC9, TXDU, TXDU/A, UXU UXU/A, VA2, VA2/A, VCG, VCG/A, VG25, VG25/A, VG29, VGE4, VGE5 VHH4, VHH4/A, VPM5, VSD9, VSD9/A, VWS, VWWN, VWWN/A, VX2 VX2/A, VXE9, VXE9/A, VXU1, VXU1/A, WKS, WKS/A, WKT2, WKT2/A WMB0, WMB0/A, WMT4, WMT4/A
10	18431-ZH8-W50	DEFLECTOR, MUFFLER.....	(1)	(1)	(1)	-	(1)	-	-----	EMAN, EMAN/A, VS19
									-----	QMC6, QMC6/A, QMC8, QMC8/A, QNT, QNT4, QWA4, QWA4/A, SG22 SG24, SG24/A, SMC7, SMC7/A, SXS2, SXS4, SXS4/A, VCG, VCG/A VG24, VG29
11	18522-ZE1-000	GUIDE, MUFFLER.....	1	-	-	-	-	-	-----	QA2, QA26, QBT6, QMC6, QMP4, QM22, QNT, QNT4, QPU, QXU, SSX2 SWX2, SXS2, SXS4, SXU, TXDU
									-----	QMX2, S1CY, SMW2, SSS2
12	90002-Z0T-800	SCREW, TAPPING, 4X8.....	2	-	-	-	-	-	-----	QA2, QA26, QBT6, QMC6, QMP4, QM22, QNT, QPU, QWW2, QWX2, QXU SWX2, SXS2, SXS4, SXU, TXDU
	90055-ZE1-000	SCREW, TAPPING, 4X6.....	2	-	-	-	-	-	-----	QMC8, QWA4, QXC4, QXC9, SG22, SG24, SMC7, VG24, VG29
	90002-ZG0-003	SCREW, TAPPING, 4X8.....	2	-	-	-	-	-	-----	QNT4, SSS2
	90002-Z0T-800	-	2	-	-	-	-	-----	QMX2, S1CY, SMW2, SSS2
13	90016-ZE1-000	BOLT, FLANGE, 6X13(CT200)....	1	1	1	1	1	1	-----	QC9, QC9/A, QCM, QCM/A, QHG4, QHG4/A, QMC8, QMC8/A, QMD6 QMD6/A, QMX2, QMX2/A, QMXC, QWA4, QWA4/A, QX7, QX9, QX9/A QXC4, QXC9, RHG4, RHG4/A, RTB2, SCM, SCM/A, SG22, SG24, SG24/A SHCC, SHCC/A, SMC7, SMC7/A, SMC9, SMC9/A, SMX4, SMX4/A, SMXC SMXE, SMXE/A, SX7, SX9, SX9/A, SXS, VCG, VCG/A, VG24, VG25 VG25/A, VG29, VHA9, VMS4, VSD2, VSD7, VSD9, VSD9/A, VXE9 VXE9/A



E-16

MUFFLER(1)



Ref. No.	Part No.	Description	Reqd. QTY						Serial No.	Parts catalogue code
			GX 160 UT1	GX 160 UT2	GX 160 UT2X	GX 160 RT1	GX 160 RT2	GX 160 RT2X		
14	90050-ZE1-000	SCREW, TAPPING, 5X8.....	4	4	4	4	4	4	----- HH26, HH26/A, HHQ4, HX2, HX2/A, HX4, HX4/A, HXE8, HXE8/A, HXU LHN4, LHN4/A, LHQ4, LX2, LX2/A, LX26, LX4, LX4/A, LXM2, LXM2/A LXU, PXU, PXU/A, QA2, QA2/A, QA26, QAX2, QAX4, QAX4/A, QBC2 QBM2, QBM2/A, QBT6, QC9, QC9/A, QCB2, QCL, QCM, QCM/A, QGR9 QGR9/A, QH26, QH26/A, QHG4, QHG4/A, QHQ4, QHQ4/A, QHQ4, QMC6 QMC6/A, QMC8, QMC8/A, QMD6, QMD6/A, QME4, QME4/A, QMP4, QMX2 QMX2/A, QMXC, QMZ2, QNT, QNT4, QPU, QW24, QWA4, QWA4/A, QWW2 QWX2, QWX2/A, QX2, QX2/A, QX26, QX4, QX4/A, QX7, QX9, QX9/A QXC4, QXC9, QXE2, QXE2/A, QXE4, QXE5, QXE5/A, QXE8, QXE8, QXF2 QXGB, QXM2, QXP2, QXS2, QXS2/A, QXU, QXU/A, QXW, QXWE, QXWE/A RH2, RH2/A, RHG4, RHG4/A, RHQ4, RHQ4/A, RX4, RX4/A, RXE2 RXE2/A, RXP2, RXU, RXU/A, S1CY, S1CY/A, SCM, SCM/A, SD16 SD16/A, SG22, SG24, SG24/A, SHCC, SHCC/A, SHQ4, SHQ4/A, SHQU SHRY, SHRY/A, SMC7, SMC7/A, SMC9, SMC9/A, SMW2, SMW2/A, SMX4 SMX4/A, SMXC, SMXE, SMXE/A, SSS2, SSS2/A, SWX2, SWX2/A, SX2 SX4, SX4/A, SX7, SX9, SX9/A, SXE4, SXE5, SXE5/A, SXS, SXS2 SXS4, SXS4/A, SXU, SXU/A, TCS2, TW24, TX2, TX2/A, TX26, TX4 TX4/A, TXC9, TXDU, TXDU/A, TXU, UXU, UXU/A, VA2, VA2/A, VCG VCG/A, VG24, VG25, VG25/A, VG29, VHA9, VHH4, VHH4/A, VMS4, VSD VSD2, VSD7, VSD9, VSD9/A, VWA2, VX2, VX2/A, VX4, VXE9, VXE9/A VXU1, VXU1/A, VXW2, WKS, WKS/A, WKT2, WKT2/A, WKT4, WKT6, WMB0 WMB0/A, WMT4, WMT4/A RTB2	
	90050-ZE3-H00	4	-	-	-	-	-	-----	
15	90055-ZE1-000	SCREW, TAPPING, 4X6.....	1	1	1	-	-	-	----- LXM2, LXM2/A, QA2, QA2/A, QA26, QBC2, QBM2, QBM2/A, QCM, QCM/A QMX2, QMX2/A, QMXC, QMZ2, QNT, QNT4, QXM2, S1CY, S1CY/A, SCM SCM/A, SMW2, SMW2/A, SMXC, SSS2, SSS2/A, SXS2, SXS4, SXS4/A TXDU, TXDU/A, VA2, VA2/A, VWA2, WKT2, WKT2/A, WKT4, WKT6, WMT4 WMT4/A	

E-16

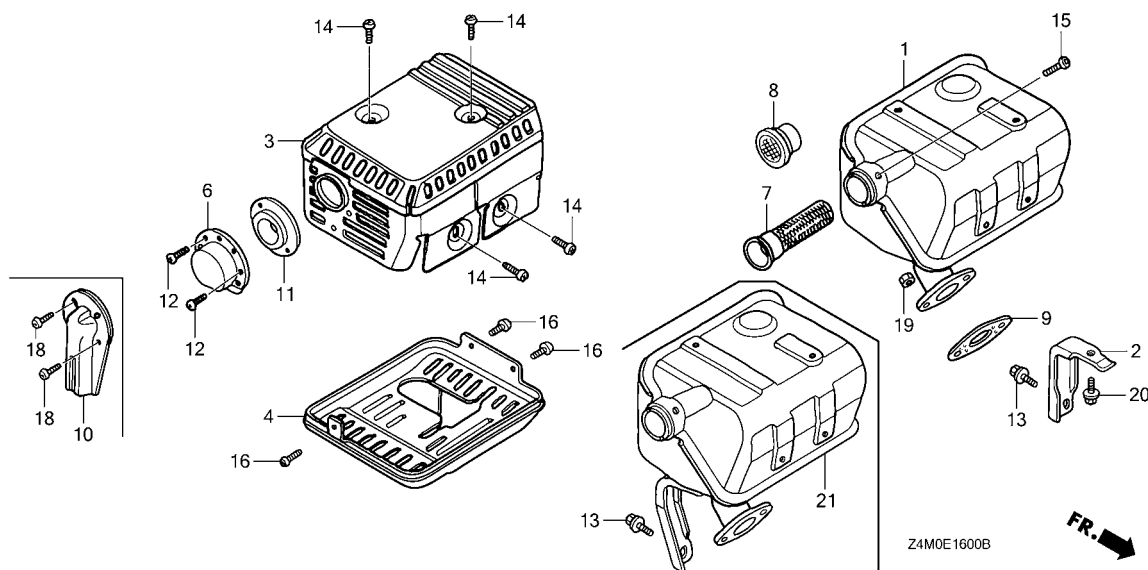
MUFFLER(1)

Ref. No.	Part No.	Description	Reqd. QTY						Serial No.	Parts catalogue code	
			GX 160 UT1	GX 160 UT2	GX 160 UT2X	GX 160 RT1	GX 160 RT2	GX 160 RT2X			
15)	90056-ZL0-000	SCREW, TAPPING, 4X6.....	1	1	1	-	-	-	-----	-----	QC9, QC9/A, QMC8, QMC8/A, QMD6, QMD6/A, QWA4, QWA4/A, QX7, QX9 QX9/A, QXC4, QXC9, SG22, SG24, SG24/A, SHCC, SHCC/A, SMC7 SMC7/A, SMC9, SMC9/A, SX7, SX9, SX9/A, SXS, VCG, VCG/A, VG24 VG25, VG25/A, VG29, VHA9, VMS4, VSD2, VSD7, VSD9, VSD9/A, VXE9 VXE9/A
	90055-ZE1-000	(1)	-	-	(1)	(1)	(1)	-----	-----	EMAN, EMAN/A, HH26, HHQ4, HX2, HX4, HXE8, HXU, LHQ4, LX2, LX26 LX4, LXU, PXU, QAX2, QAX4, QBT6, QCB2, QCL, QGR9, QH26, QHG4 QHG4/A, QHQ4, QHQU, QKA4, QMC6, QME4, QMP4, QPU, QW24, QWW2 QWX2, QX2, QX26, QX4, QX9, QXC4, QXC9, QXE2, QXE4, QXE5, QXE8 QXF2, QXP2, QXS2, QXU, QXW, QXWE, RH2, RHG4, RHG4/A, RHQ4, RTB2 RX4, RXE2, RXP2, RXU, SD16, SG22, SHQ4, SHQU, SWG4, SWG4/A SWX2, SX2, SX4, SX9, SXE4, SXE5, SXS, SXU, TCS2, TW24, TX2, TX26 TX4, TXC9, TXU, UXU, VES6, VES6/A, VG24, VG29, VGE2, VGE4, VGE5 VHA9, VHH4, VHH4/A, VPM4, VPM5, VPMN, VPR4, VPR9, VS17, VS19 VSD, VSD1, VSD2, VSD9, VWS1, VWS1/A, VWW2, VWWN, VWWN/A, VX2 VX4, VXE9, VXU1, VXW2, WKS, WMB0
			-	(1)	-	-	-	-	-----	-----	HH26, HH26/A, HHQ4, HX2, HX2/A, HX4, HX4/A, HXE8, HXE8/A, LHN4 LHN4/A, LHQ4, LX2, LX2/A, LX4, LX4/A, PXU, PXU/A, QAX2, QAX4 QAX4/A, QC9, QC9/A, QGR9, QGR9/A, QH26, QH26/A, QHQ4, QHQ4/A QMC6, QMC6/A, QMC8, QMC8/A, QMD6, QMD6/A, QME4, QME4/A, QMP4 QMXC, QPU, QWA4, QWA4/A, QWX2, QWX2/A, QX2, QX2/A, QX4, QX4/A QX9, QX9/A, QXC9, QXE2, QXE2/A, QXE5, QXE5/A, QXE8, QXEB, QXGB QXS2, QXS2/A, QXU, QXU/A, QXWE, QXWE/A, RH2, RH2/A, RHQ4 RHQ4/A, RX4, RX4/A, RXE2, RXE2/A, RXU, RXU/A, SCM, SCM/A, SD16 SD16/A, SG24, SG24/A, SHCC, SHCC/A, SHQ4, SHQ4/A, SHRY SHRY/A, SMC7, SMC7/A, SMC9, SMC9/A, SMX4, SMX4/A, SMXC, SMXE SMXE/A, SWX2, SWX2/A, SX4, SX4/A, SX9, SX9/A, SXE5, SXE5/A SXU, SXU/A, TX2, TX2/A, TX4, TX4/A, TXC9, UXU, UXU/A, VCG VCG/A, VG25, VG25/A, VG29, VSD9, VSD9/A, VX2, VX2/A, VXE9 VXE9/A, VXU1, VXU1/A, WKS, WKS/A, WMB0, WMB0/A
			-	-	(1)	-	-	-	-----	-----	
16	90055-ZE1-000	SCREW, TAPPING, 4X6.....	3	3	3	-	-	-	-----	-----	QGR9, QGR9/A, QXGB, QXS2, QXS2/A, SHRY, SHRY/A
18	90055-ZE1-000	SCREW, TAPPING, 4X6.....	(2)	(2)	(2)	-	-	-	-----	-----	QMC6, QMC6/A, QMC8, QMC8/A, QNT, QNT4, QWA4, QWA4/A, SG22 SG24, SG24/A, SMC7, SMC7/A, SXS2, SXS4, SXS4/A, VCG, VCG/A VG24, VG29



E-16

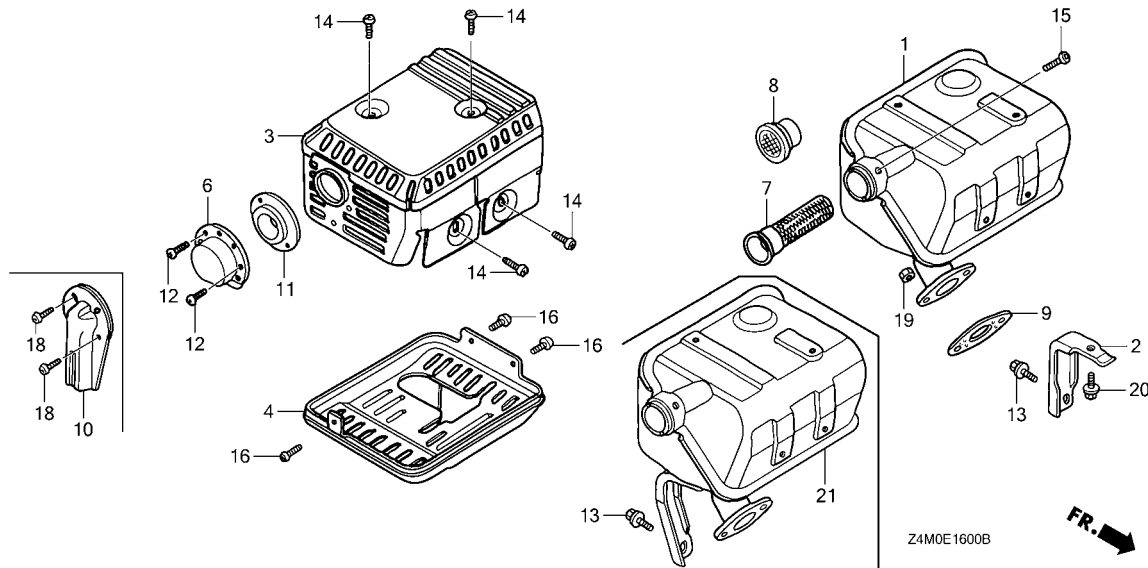
MUFFLER(1)



Ref. No.	Part No.	Description	Reqd. QTY						Serial No.	Parts catalogue code
			GX 160 UT1	GX 160 UT2	GX 160 UT2X	GX 160 RT1	GX 160 RT2	GX 160 RT2X		
19	94001-08000-0S	NUT, HEX., 8MM	2	2	2	2	-	2	-----	HH26, HH26/A, HHQ4, HX2, HX2/A, HX4, HX4/A, HXE8, HXE8/A, HXU LHN4, LHN4/A, LHQ4, LX2, LX2/A, LX26, LX4, LX4/A, LXM2, LXM2/A LXU, PXU, PXU/A, QA2, QA2/A, QA26, QAX2, QAX4, QAX4/A, QBC2 QBM2, QBM2/A, QBT6, QC9, QC9/A, QCB2, QCL, QCM, QCM/A, QGR9 QGR9/A, QH26, QH26/A, QHG4, QHQ4, QHQ4/A, QHQ4/A, QHQ4/A, QMC6 QMC6/A, QMC8, QMC8/A, QMD6, QMD6/A, QME4, QME4/A, QMP4, QMX2 QMX2/A, QMXC, QMZ2, QNT, QNT4, QPU, QW24, QWA4, QWA4/A, QWW2 QWX2, QWX2/A, QX2, QX2/A, QX26, QX4, QX4/A, QX7, QX9, QX9/A QXC4, QXC9, QXE2, QXE2/A, QXE4, QXE5, QXE5/A, QXE8, QXEB, QXF2 QXGB, QXM2, QXP2, QXS2, QXS2/A, QXU, QXU/A, QXW, QXWE, QXWE/A RH2, RH2/A, RHG4, RHQ4, RHQ4/A, RTB2, RX4, RX4/A, RXE2, RXE2/A RXP2, RXU, RXU/A, S1CY, S1CY/A, SCM, SCM/A, SD16, SD16/A, SG22 SG24, SG24/A, SHCC, SHCC/A, SHQ4, SHQ4/A, SHQU, SHRY, SHRY/A SMC7, SMC7/A, SMC9, SMC9/A, SMM2, SMM2/A, SMX4, SMX4/A, SMXC SMXE, SMXE/A, SSS2, SSS2/A, SWG4, SWX2, SWX2/A, SX2, SX4 SX4/A, SX7, SX9, SX9/A, SXE4, SXE5, SXE5/A, SXS, SXS2, SXS4 SXS4/A, SXU, SXU/A, TCS2, TW24, TX2, TX2/A, TX26, TX4, TX4/A TXC9, TXDU, TXDU/A, TXU, UXU, UXU/A, VA2, VA2/A, VCG, VCG/A VG24, VG25, VG25/A, VG29, VGE4, VGE5, VHA9, VHH4, VMS4, VPM4 VSD, VSD2, VSD7, VSD9, VSD9/A, VWA2, VX2, VX2/A, VX4, VXE9 VXE9/A, VXU1, VXU1/A, VXW2, WKS, WKS/A, WKT2, WKT2/A, WKT4 WKT6, WMB0, WMB0/A, WMT4, WMT4/A QHG4, QHG4/A, RHG4, RHG4/A, VHH4, VHH4/A, VPM5 QMC8, QMD6, QWA4, QX7, QX9, QXC4, QXC9, RTB2, SG22, SG24, SMC7 SMC9, SX7, SX9, SXS, VG24, VG29, VHA9, VMS4, VSD2, VSD7, VSD9 VXE9
20	95701-06012-00	BOLT, FLANGE, 6X12	1	-	-	-	-	2	-----	-----
21	18310-ZH7-V90 18310-Z4M-V91	MUFFLER COMP.	1	-	-	1	-	-	-----	-----
			-	1	1	-	1	1	-----	-----

E-16

MUFFLER(1)

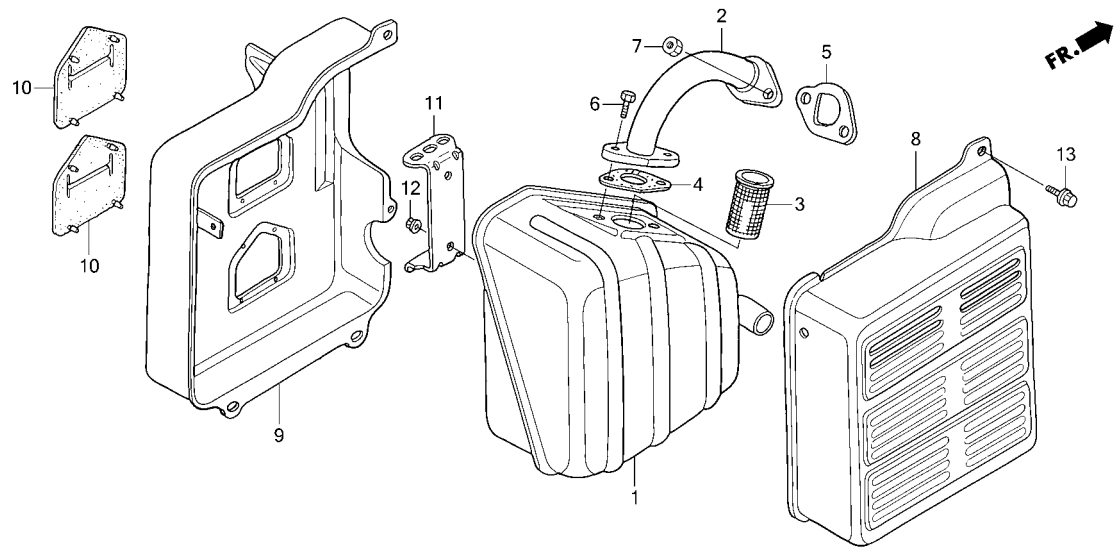


Ref. No.	Part No.	Description	Reqd. QTY						Serial No.	Parts catalogue code
			GX 160 UT1	GX 160 UT2	GX 160 UT2X	GX 160 RT1	GX 160 RT2	GX 160 RT2X		
21)	18310-Z4V-801	MUFFLER COMP.(ARRESTER)	-	1	1	-	-	-	----- QC9, QC9/A, QMC8, QMC8/A, QMD6, QMD6/A, QWA4, QWA4/A, QXC9, SG24, SG24/A, SMC7, SMC7/A, SMC9, SMC9/A, VCG, VCG/A, VG25, VG25/A, VG29	
	18310-Z4V-010	MUFFLER COMP.	-	1	1	-	-	-	----- QX9, QX9/A, SHCC, SHCC/A, SX9, SX9/A, VSD9, VSD9/A, VXE9, VXE9/A	
	18310-Z4M-V51	-	1	-	-	-	-	----- QCM, QCM/A, QMX2/A, QMXC, SCM, SCM/A, SMXC	
	18310-Z4M-V50	-	1	-	-	-	1595746	----- QMX2	
	18310-Z4M-V51	-	1	-	-	-	1595747	----- QMX2	
			-	-	1	-	-	-	----- QCM, QMX2, SCM	



E-16-1

MUFFLER(2)



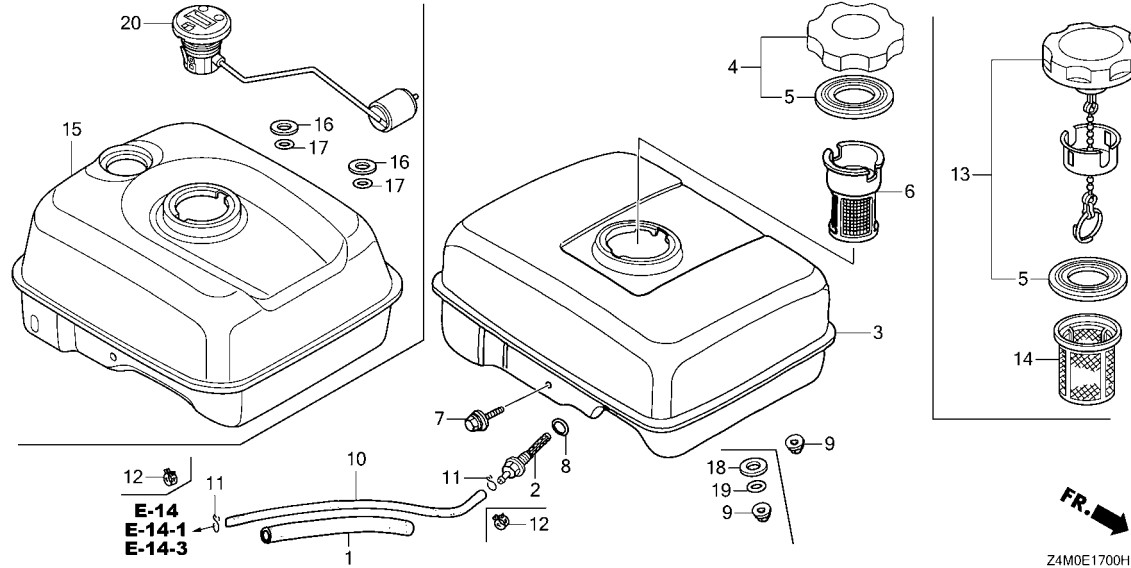
Z4M0E1601B

Ref. No.	L.O.N.	(Relative ref. Number) Description	F.R.T.
1	3131F7	MUFFLER, EXHAUST(A)	0.2
2	3131C9	(5) PIPE, EXHAUST	0.2
3	3131A1	ARRESTER, SPARK	0.2
		.INCLUDES: Spark arrester check	
4	3131B4	GASKET, EXHAUST MUFFLER	0.2
8	3131D9	PROTECTOR, EXHAUST MUFFLER : OUTER	0.1
9	3131D8	PROTECTOR, EXHAUST MUFFLER : INNER	0.2
10	3131G6	SEAL, MUFFLER PROTECTOR	0.2

Ref. No.	Part No.	Description	Reqd. QTY						Serial No.	Parts catalogue code
			GX 160 UT1	GX 160 UT2	GX 160 UT2X	GX 160 RT1	GX 160 RT2	GX 160 RT2X		
1	18310-ZB3-C01	MUFFLER COMP.	1	-	-	-	1	1	-----	EMAN, EMAN/A, VES6, VES6/A, VPR4, VPR9, VS17, VS19, VSD1, VWS1/A
2	18330-ZB2-000	PIPE COMP., EX.	1	-	-	-	1	1	-----	VES6, VES6/A, VS17, VS19, VSD1, VWS1, VWS1/A
	18330-ZH8-T90	PIPE COMP., EX.(DENYO)	-	-	-	-	1	1	-----	EMAN, EMAN/A
3	18355-898-630	ARRESTER, SPARK	1	-	-	-	1	1	-----	EMAN, EMAN/A, VES6, VES6/A, VPR4, VPR9, VS17, VS19, VSD1, VWS1/A
4	18381-ZE1-800	GASKET, MUFFLER	1	-	-	-	-	-	-----	VPR4, VPR9, VS17, VS19, VSD1
	18381-Z0T-811	-	-	-	-	1	1	-----	EMAN, EMAN/A, VES6, VES6/A, VS19, VWS1, VWS1/A
5	18381-ZH8-800	GASKET, MUFFLER	1	-	-	-	-	-	-----	VPR4, VPR9
	18381-Z0T-801	1	-	-	-	-	1394710	-----	VS17, VS19, VSD1
			-	-	-	-	1	1394711	-----	VS17, VS19, VSD1
			-	-	-	-	1	1	-----	EMAN, EMAN/A, VES6, VES6/A, VS19, VWS1, VWS1/A
6	92101-08020-0A	BOLT, HEX., 8X20	2	-	-	-	2	-	-----	VPR4, VPR9, VS17, VS19, VSD1
7	94001-08000-0S	NUT, HEX., 8MM	2	-	-	-	2	-	-----	VPR4, VPR9, VS17, VS19, VSD1
8	18320-ZB2-000	PROTECTOR, MUFFLER OUTER	-	-	-	-	1	1	-----	EMAN, EMAN/A, VES6, VES6/A, VWS1, VWS1/A
9	18325-ZH8-T90	PROTECTOR, MUFFLER INNER (DENYO)	-	-	-	-	1	1	-----	EMAN, EMAN/A, VWS1, VWS1/A
	18325-ZB2-000	PROTECTOR, MUFFLER INNER	-	-	-	-	1	1	-----	VES6, VES6/A
10	18329-ZB2-000	SEAL, MUFFLER PROTECTOR	-	-	-	-	2	-	-----	EMAN, EMAN/A, VES6/A, VWS1, VWS1/A
			-	-	-	-	1	-	-----	1405093 VES6
			-	-	-	-	2	1405094	-----	VES6
			-	-	-	-	2	-	-----	EMAN, VES6, VWS1
11	18338-ZB3-E30	STAY, MUFFLER	-	-	-	-	1	1	-----	VES6, VES6/A, VWS1, VWS1/A
12	94050-06000	NUT, FLANGE, 6MM	-	-	-	-	2	2	-----	VES6, VES6/A, VWS1, VWS1/A
13	95701-06012-00	BOLT, FLANGE, 6X12	-	-	-	-	5	5	-----	VES6, VES6/A

E-17

FUEL TANK



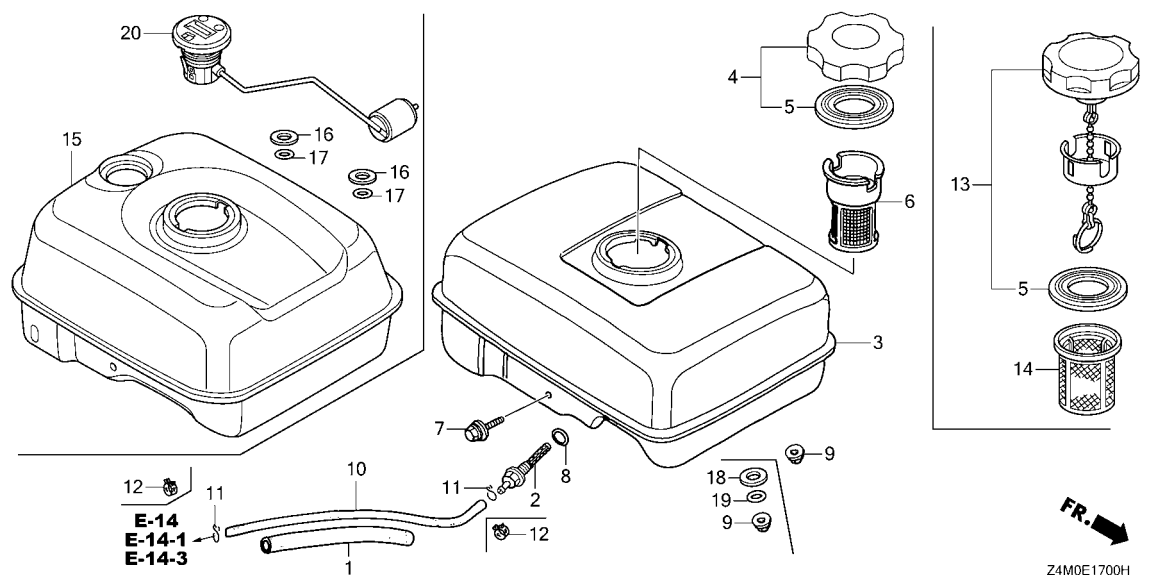
Ref. No.	L.O.N.	(Relative ref. Number) Description	F.R.T.
2	3101H6	(8) JOINT, FUEL STRAINER	0.2
3	3101H7	(15) TANK, FUEL	0.2
4	3101M7	(5,13) CAP, FUEL FILLER	0.1
6	3101A6	(14) FILTER, FUEL	0.1
10	3101F1	TUBE, FUEL TANK	0.2
20	6171A1	METER/GAUGE UNIT, FUEL	0.1

Ref. No.	Part No.	Description	Reqd. QTY						Serial No.	Parts catalogue code
			GX 160 UT1	GX 160 UT2	GX 160 UT2X	GX 160 RT1	GX 160 RT2	GX 160 RT2X		
1	16854-ZH8-000	RUBBER, SUPPORTER(107MM).....	1	1	1	-	-	-	HH26, HH26/A, HHQ4, HX2, HX2/A, HX4, HX4/A, HXE8, HXE8/A, HXU LHN4, LHN4/A, LHQ4, LX2, LX2/A, LX26, LX4, LX4/A, LXM2, LXM2/A LXU, PXU, PXU/A, QA2, QA2/A, QA26, QAX2, QAX4, QAX4/A, QBC2 QBM2, QBM2/A, QBT6, QC9, QC9/A, QCB2, QCM, QCM/A, QGR9, QGR9/A QH26, QH26/A, QHQ4, QHQ4/A, QHQ4, QKA4, QMC6, QMC6/A, QMC8 QMC8/A, QMD6, QMD6/A, QME4, QME4/A, QMP4, QMX2, QMX2/A, QMXC QM22, QNT, QNT4, QPU, QW24, QWA4, QWA4/A, QWW2, QWX2, QWX2/A QX2, QX2/A, QX26, QX4, QX4/A, QX7, QX9, QX9/A, QXC4, QXC9, QXE2 QXE2/A, QXE4, QXE5, QXE5/A, QXE8, QXEB, QXF2, QXGB, QXM2, QXP2 QXS2, QXS2/A, QXU, QXU/A, QXW, QXWE, QXWE/A, RH2, RH2/A, RHQ4 RHQ4/A, RTB2, RX4, RX4/A, RXE2, RXE2/A, RXP2, RXU, RXU/A, S1CY S1CY/A, SCM, SCM/A, SD16, SD16/A, SG22, SG24, SG24/A, SHCC SHCC/A, SHQ4, SHQ4/A, SHQU, SHRY, SHRY/A, SMC7, SMC7/A, SMC9 SMC9/A, SMM2, SMM2/A, SMX4, SMX4/A, SMXC, SMXE, SMXE/A, SSM2 SSM2/A, SWX2, SWX2/A, SX2, SX4, SX4/A, SX7, SX9, SX9/A, SXE4 SXE5, SXE5/A, SXS, SXS2, SXS4, SXS4/A, SXU, SXU/A, TW24, TX2 TX2/A, TX26, TX4, TX4/A, TXC9, TXDU, TXDU/A, TXU, UXU, UXU/A VA2, VA2/A, VCG, VCG/A, VG24, VG25, VG25/A, VG29, VHA9, VMS4 VSD, VSD2, VSD7, VSD9, VSD9/A, VWA2, VX2, VX2/A, VX4, VXE9 VXE9/A, VXU1, VXU1/A, VXW2, WKS, WKS/A, WKT2, WKT2/A, WKT4 WKT6, WMB0, WMB0/A, WMT4, WMT4/A	
	16854-ZH8-810	RUBBER, SUPPORTER(50MM).....	-	-	-	-	1	-	SWG4, SWG4/A, VS19	
2	16955-ZE1-010	JOINT, FUEL TANK.....	1	-	-	-	-	-	VPM5 QXP2, RXP2	



E-17

FUEL TANK



Ref. No.	Part No.	Description	Reqd. QTY						Serial No.	Parts catalogue code
			GX 160 UT1	GX 160 UT2	GX 160 UT2X	GX 160 RT1	GX 160 RT2	GX 160 RT2X		
(2)	16955-ZE1-000	JOINT, FUEL TANK.....	1	-	-	-	-	-	2490032	HH26, HHQ4, HX2, HX4, HXE8, HXU, LHQ4, LX2, LX26, LX4, LXU, PXU QA2, QA26, QAX2, QBC2, QBM2, QBT6, QCB2, QGR9, QH26, QHQ4, QKA4 QMC6, QMC8, QMD6, QME4, QMP4, QMZ2, QNT, QNT4, QPU, QW24, QWA4 QWW2, QWX2, QX2, QX26, QX4, QX7, QX9, QXC9, QXE2, QXE4, QXE5 QXE8, QXF2, QXS2, QXU, QXW, QXWE, RH2, RHQ4, RTB2, RX4, RXE2 RXU, SD16, SG24, SHQ4, SMC7, SMC9, SSS2, SWX2, SX4, SX7, SX9 SXE4, SXE5, SXS4, SXU, TW24, TX2, TX26, TX4, TXC9, TXDU, TXU UXU, VA2, VG24, VG29, VMS4, VSD, VSD7, VSD9, VWA2, VX2, VX4 VXE9, VXU1, WKS, WKT2, WKT4, WKT6, WMB0
	16955-ZE1-010	1	-	-	-	-	-	2814072	QAX4, QHQU, QXC4, SG22, SHQU, SX2, SXS, SXS2, VSD2
			1	-	-	-	-	-	2490033	HH26, HHQ4, HX2, HX4, HXE8, HXU, LHQ4, LX2, LX26, LX4, LXU, PXU QA2, QA26, QAX2, QBC2, QBM2, QBT6, QCB2, QGR9, QH26, QHQ4, QKA4 QMC6, QMC8, QMD6, QME4, QMP4, QMZ2, QNT, QNT4, QPU, QW24, QWA4 QWW2, QWX2, QX2, QX26, QX4, QX7, QX9, QXC9, QXE2, QXE4, QXE5 QXE8, QXF2, QXS2, QXU, QXW, QXWE, RH2, RHQ4, RTB2, RX4, RXE2 RXU, SD16, SG24, SHQ4, SMC7, SMC9, SSS2, SWX2, SX4, SX7, SX9 SXE4, SXE5, SXS4, SXU, TW24, TX2, TX26, TX4, TXC9, TXDU, TXU UXU, VA2, VG24, VG29, VMS4, VSD, VSD7, VSD9, VWA2, VX2, VX4 VXE9, VXU1, WKS, WKT2, WKT4, WKT6, WMB0
			1	-	-	-	-	-	2814073	QAX4, QHQU, QXC4, SG22, SHQU, SX2, SXS, SXS2, VSD2
3	17510-Z0T-010ZC	TANK COMP., FUEL *NH31*.....MCKINLEY WHITE	1	-	-	-	-	-	-	HH26, HHQ4, HX2, HX4, HXE8, HXU, QAX2, QAX4, QBM2, QHQU, QKA4 QNT4, QXC4, QXC9, QXE4, QXE5, QXE8, QXP2, QXW, QXWE, RH2, RHQ4 RTB2, RX4, RXE2, RXP2, RXU, SHQU, SX2, SXE4, SXE5, SXS, SXS2 TXC9, TXDU, UXU, VSD2, WMB0
	17510-Z0T-010ZA	*NH1*.....BLACK	1	-	-	-	-	-	-	HX2, QBM2, QXC4, QXC9, RH2, SG22, SSS2, VG29
	17510-Z0T-000ZB	*NH105*.....MAT BLACK(#15-#20)	1	-	-	-	-	-	2183942	QWW2, QWX2, SWX2, TW24

E-17

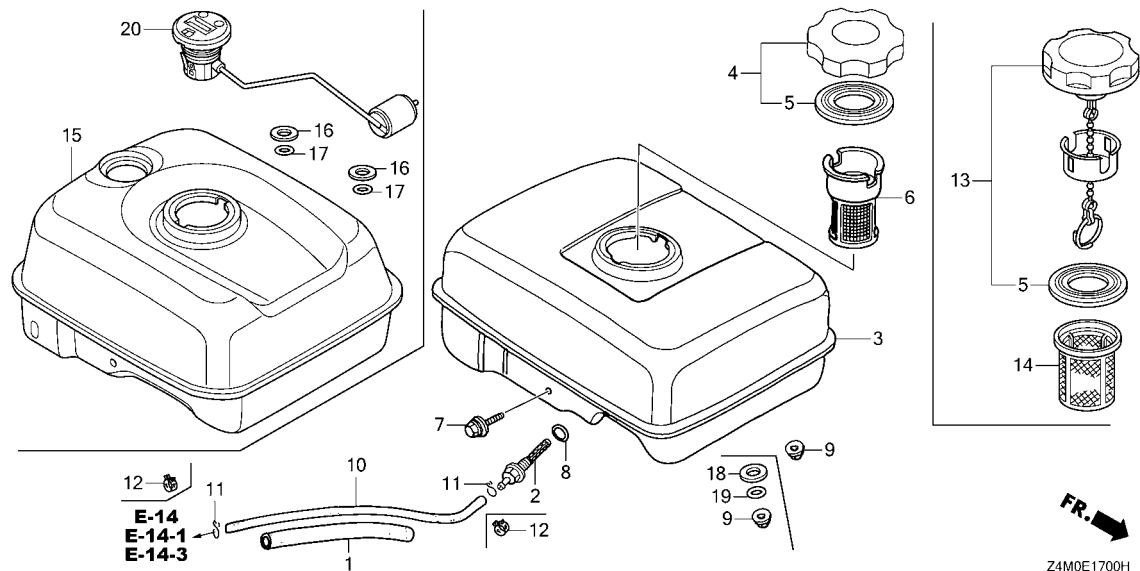
FUEL TANK

Ref. No.	Part No.	Description	Reqd. QTY						Serial No.	Parts catalogue code	
			GX 160 UT1	GX 160 UT2	GX 160 UT2X	GX 160 RT1	GX 160 RT2	GX 160 RT2X			
(3)	17510-Z0T-000ZC	TANK COMP., FUEL *NH31*.....MCKINLEY WHITE	1	-	-	-	-	-	2189652	LHQ4, LX2, LX26, LX4, LXU, PXU, QA2, QA26, QBC2, QBT6, QGR9, QH26, QHQ4, QMC6, QMC8, QMD6, QME4, QMP4, QM22, QNT, QPU, QWA4, QWX2, QX2, QX26, QX4, QX7, QX9, QXE2, QXF2, QXS2, QXU, SD16, SG24, SHQ4, SMC7, SMC9, SX4, SX7, SX9, SXS4, SXU, TX2, TX26, TX4, TXU, VA2, VG24, VMS4, VSD, VSD7, VSD9, VWA2, VX2, VX4, VXE9, VXU1, WKS, WKT2, WKT4, WKT6	
	17510-Z0T-000ZA	*NH1*.....BLACK	1	-	-	-	-	-	2189652	LX2, PXU, QA2, QA26, QBC2, QBT6, QCB2, QGR9, QH26, QHQ4, QMC6, QMC8, QMD6, QME4, QM22, QNT, QPU, QW24, QWA4, QWW2, QWX2, QX2, QX26, QX4, QX7, QX9, QXE2, QXF2, QXS2, QXU, SD16, SG24, SHQ4, SMC7, SMC9, SX4, SX7, SX9, SXS4, SXU, TW24, TX2, TX26, TX4, TXU, VA2, VG24, VMS4, VSD, VSD7, VSD9, VWA2, VX2, VX4, VXU1, WKS, WKT6	
	17510-Z0T-000ZB	*NH105*....MAT BLACK(#15-#20)	1	-	-	-	-	-	2189652	VWA2	
	17510-Z0T-010ZB	*NH105*....MAT BLACK(#15-#20)	1	-	-	-	-	2183943	-----	QWW2, QWX2, SWX2, TW24	
	17510-Z0T-010ZC	*NH31*.....MCKINLEY WHITE	1	-	-	-	-	2189653	-----	LHQ4, LX2, LX26, LX4, LXU, PXU, QA2, QA26, QBC2, QBT6, QGR9, QH26, QHQ4, QMC6, QMC8, QMD6, QME4, QMP4, QM22, QNT, QPU, QWA4, QWX2, QX2, QX26, QX4, QX7, QX9, QXE2, QXF2, QXS2, QXU, SD16, SG24, SHQ4, SMC7, SMC9, SX4, SX7, SX9, SXS4, SXU, TX2, TX26, TX4, TXU, VA2, VG24, VMS4, VSD, VSD7, VSD9, VWA2, VX2, VX4, VXE9, VXU1, WKS, WKT2, WKT4, WKT6	
	17510-Z0T-010ZA	*NH1*.....BLACK	1	-	-	-	-	2189653	-----	LX2, PXU, QA2, QA26, QBC2, QBT6, QCB2, QGR9, QH26, QHQ4, QMC6, QMC8, QMD6, QME4, QM22, QNT, QPU, QW24, QWA4, QWW2, QWX2, QX2, QX26, QX4, QX7, QX9, QXE2, QXF2, QXS2, QXU, SD16, SG24, SHQ4, SMC7, SMC9, SX4, SX7, SX9, SXS4, SXU, TX2, TX26, TX4, TXU, VA2, VG24, VMS4, VSD, VSD7, VSD9, VWA2, VX2, VX4, VXU1, WKS, WKT2, WKT6	
	17510-Z0T-010ZB	*NH105*....MAT BLACK(#15-#20)	1	-	-	-	-	2189653	-----	VWA2	
	17510-ZE1-030ZA	*NH31*.....MCKINLEY WHITE	-	1	-	-	-	-----	-----	WMT4	
			-	1	-	-	-	1041307	-----	HH26, HHQ4, HX2, HX4, HXE8, LHN4, LHQ4, LX2, LX4, LXM2, PXU, QA2, QAX2, QAX4, QBC2, QBM2, QGR9, QH26, QHQ4, QMC6, QMC8, QMD6, QME4, QMP4, QPU, QWA4, QWX2, QX2, QX4, QX9, QXC9, QXE2, QXE5, QXE8, QXM2, QXS2, QXU, QXWE, RH2, RHQ4, RX4, RXE2, RXU, S1CY, SD16, SG24, SHQ4, SHRY, SMC7, SMC9, SMW2, SX4, SX9, SXE5, SXS4, SXU, TX2, TX4, TXC9, TXDU, UXU, VA2, VSD9, VX2, VXE9, VXU1, WKS, WKT2, WMB0	
	17510-ZE1-030ZF	*NH1*.....BLACK	-	1	-	-	-	1041307	-----	HX2, LX2, PXU, QA2, QBC2, QBM2, QGR9, QH26, QHQ4, QMC6, QMC8, QMD6, QME4, QPU, QWA4, QWX2, QX2, QX4, QX9, QXC9, QXE2, QXS2, QXU, RH2, SD16, SG24, SHQ4, SMC7, SMC9, SSX2, SWX2, SX4, SX9, SXS4, SXU, TX2, TX4, VA2, VG29, VX2, VXU1, WKS, WKT2	
	17510-ZE1-030ZA	*NH31*.....MCKINLEY WHITE	-	1	-	-	-	1041804	-----	QMX2, SMX4, SMXE	
4	17620-Z0T-813	CAP COMP., FUEL FILLER (CHROME PLATED)(RADICON)	1	-	-	-	-	-----	-----	1706983	
										LHQ4, LX2, LX26, LX4, LXU, PXU, QA2, QA26, QBC2, QBT6, QCB2, QGR9, QH26, QHQ4, QMC6, QMC8, QMD6, QME4, QMP4, QM22, QNT, QPU, QW24, QWA4, QWW2, QWX2, QX2, QX26, QX4, QX7, QX9, QXE2, QXF2, QXS2, QXU, SD16, SG24, SHQ4, SMC7, SMC9, SWX2, SX4, SX7, SX9, SXS4, SXU, TW24, TX2, TX26, TX4, TXU, VA2, VG24, VMS4, VSD, VSD7, VSD9, VWA2, VX2, VX4, VXE9, VXU1, WKS, WKT2, WKT4, WKT6	
	17620-899-013	CAP COMP., FUEL FILLER.....	-	-	-	-	1	-----	-----	1073244	VWS
	17620-899-800	-	-	-	-	1	-----	-----	1073245	VWS



E-17

FUEL TANK



Ref. No.	Part No.	Description	Reqd. QTY						Serial No.	Parts catalogue code	
			GX 160 UT1	GX 160 UT2	GX 160 UT2X	GX 160 RT1	GX 160 RT2	GX 160 RT2X			
5	17631-Z0T-801	PACKING, FUEL FILLER CAP (39X62X3)(RADICON)	1	-	-	-	-	-	-----	HH26, HHQ4, HX2, HX4, HXE8, HXU, QAX2, QAX4, QBM2, QHQU, QKA4, QNT4, QXC4, QXC9, QXE4, QXE5, QXE8, QXP2, QXW, QXWE, RH2, RHQ4, RTB2, RX4, RXE2, RXP2, RXU, SG22, SHQU, SSS2, SX2, SXE4, SXE5, SXS, SXS2, TXC9, UXU, VG29, VSD2, WMB0	
			1	-	-	-	-	-	-----	1991087 LHQ4, LX2, LX26, LX4, LXU, PXU, QA2, QA26, QBC2, QBT6, QCB2, QGR9, QH26, QHQ4, QMC6, QMC8, QMD6, QME4, QMP4, QM22, QNT, QPU, QW24, QWA4, QWW2, QWX2, QX2, QX26, QX4, QX7, QX9, QXE2, QXF2, QXS2, QXU, SD16, SG24, SHQ4, SMC7, SMC9, SWX2, SX4, SX7, SX9, SXS4, SXU, TW24, TX2, TX26, TX4, TXU, VA2, VG24, VMS4, VSD, VSD7, VSD9, VWA2, VX2, VX4, VXE9, VXU1, WKS, WKT2, WKT4, WKT6	
	17631-Z4H-800	PACKING, FUEL FILLER CAP (39X62X3)	1	-	-	-	-	-	-----	2125381 TXDU	
			1	-	-	-	-	-	-----	1991088 2125381 LHQ4, LX2, LX26, LX4, LXU, PXU, QA2, QA26, QBC2, QBT6, QCB2, QGR9, QH26, QHQ4, QMC6, QMC8, QMD6, QME4, QMP4, QM22, QNT, QPU, QW24, QWA4, QWW2, QWX2, QX2, QX26, QX4, QX7, QX9, QXE2, QXF2, QXS2, QXU, SD16, SG24, SHQ4, SMC7, SMC9, SWX2, SX4, SX7, SX9, SXS4, SXU, TW24, TX2, TX26, TX4, TXU, VA2, VG24, VMS4, VSD, VSD7, VSD9, VWA2, VX2, VX4, VXE9, VXU1, WKS, WKT2, WKT4, WKT6	
	17631-Z0T-801	PACKING, FUEL FILLER CAP (39X62X3)(RADICON)	1	-	-	-	-	-	-----	2125382 -----	LHQ4, LX2, LX26, LX4, LXU, PXU, QA2, QA26, QBC2, QBT6, QCB2, QGR9, QH26, QHQ4, QMC6, QMC8, QMD6, QME4, QMP4, QM22, QNT, QPU, QW24, QWA4, QWW2, QWX2, QX2, QX26, QX4, QX7, QX9, QXE2, QXF2, QXS2, QXU, SD16, SG24, SHQ4, SMC7, SMC9, SWX2, SX4, SX7, SX9, SXS4, SXU, TW24, TX2, TX26, TX4, TXU, VA2, VG24, VMS4, VSD, VSD7, VSD9, VWA2, VX2, VX4, VXE9, VXU1, WKS, WKT2, WKT4, WKT6
			-	1	1	-	-	-			

E-17

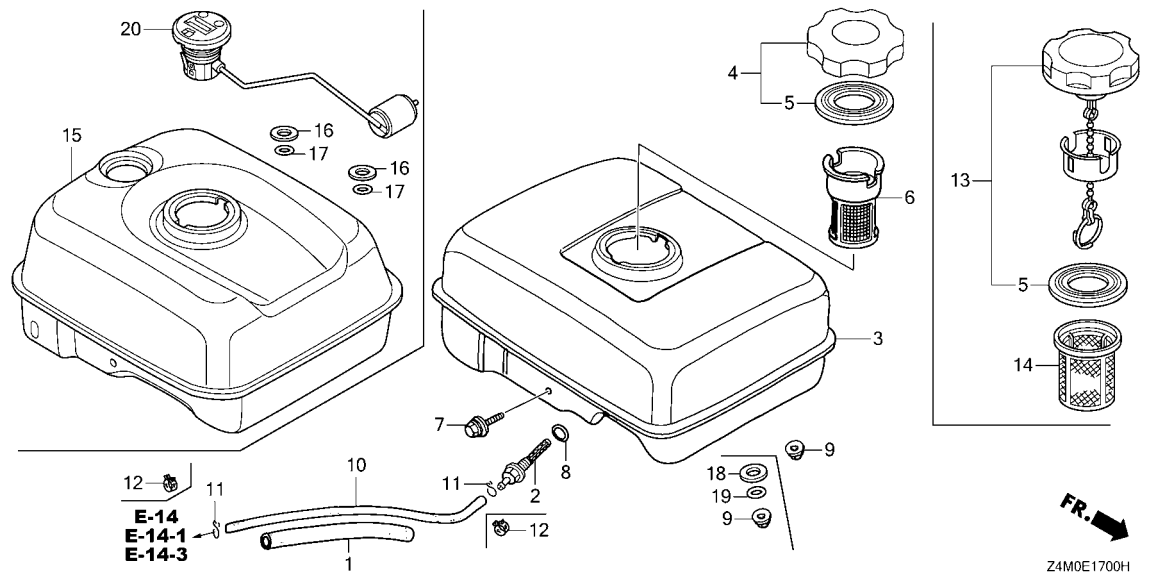
FUEL TANK

Ref. No.	Part No.	Description	Reqd. QTY						Serial No.	Parts catalogue code
			GX 160 UT1	GX 160 UT2	GX 160 UT2X	GX 160 RT1	GX 160 RT2	GX 160 RT2X		
(5)	17631-Z1T-800	PACKING, FUEL FILLER CAP (39X62X3)(TOYOSHA)	-	1	-	-	-	-	HH26, HH26/A, HX2, HX2/A, HX4, HX4/A, HXE8, HXE8/A, LX2, LX2/A, LX4, LX4/A, LXM2, LXM2/A, PXU, PXU/A, QA2, QA2/A, QAX4, QAX4/A, QBM2, QBM2/A, QC9, QC9/A, QCM, QCM/A, QGR9, QGR9/A, QH26, QH26/A, QHQ4, QHQ4/A, QMC6, QMC6/A, QMC8, QMC8/A, QMD6, QMD6/A, QME4, QME4/A, QMX2, QMX2/A, QMXC, QWA4, QWA4/A, QWX2, QWX2/A, QX2, QX2/A, QX4, QX4/A, QX9, QX9/A, QXC9, QXE2, QXE2/A, QXE5, QXE5/A, QXEB, QXGB, QXS2, QXS2/A, QXU, QXU/A, QXWE, QXWE/A, RH2, RH2/A, RHQ4, RHQ4/A, RX4, RX4/A, RXE2, RXE2/A, S1CY, S1CY/A, SCM, SCM/A, SD16, SD16/A, SG24, SG24/A, SHCC, SHCC/A, SHQ4, SHQ4/A, SHRY, SHRY/A, SMC7, SMC7/A, SMC9, SMC9/A, SMW2, SMW2/A, SMX4, SMX4/A, SMXC, SMXE, SMXE/A, SXS2, SXS2/A, SWX2, SWX2/A, SX4, SX4/A, SXE5, SXE5/A, SXS4, SXS4/A, SXU, SXU/A, TX2, TX2/A, TX4, TX4/A, TXDU, TXDU/A, UXU, UXU/A, VA2, VA2/A, VCG, VCG/A, VG25, VG25/A, VG29, VSD9, VSD9/A, VXE9, VXE9/A, VXU1, VXU1/A, WKS, WKS/A, WKT2, WKT2/A, WMB0, WMB0/A, WMT4, WMT4/A	
	17631-899-000	PACKING, FUEL FILLER CAP.....	-	-	-	-	1	-	VWS	
6	17672-ZE2-W01	FILTER, FUEL.....	1	-	-	-	-	-	1706983 QA2, QA26, QBC2, QM22, QNT, WKT2, WKT4, WKT6	
	17670-899-000	FILTER COMP., FUEL.....	(1)	-	-	-	-	-	1706983 WKS	
	90004-ZH7-003	BOLT, FLANGE, 6X29.....	1	1	1	-	-	-	VWS	
			1	1	1	-	-	-	HH26, HH26/A, HHQ4, HX2, HX2/A, HX4, HX4/A, HXE8, HXE8/A, HXU, LHN4, LHN4/A, LHQ4, LX2, LX2/A, LX26, LX4, LX4/A, LXM2, LXM2/A, LXU, PXU, PXU/A, QA2, QA2/A, QA26, QAX2, QAX4, QAX4/A, QBC2, QBM2, QBM2/A, QBT6, QC9, QC9/A, QCB2, QCM, QCM/A, QGR9, QGR9/A, QH26, QH26/A, QHQ4, QHQ4/A, QHQ4, QKA4, QMC6, QMC6/A, QMC8, QMC8/A, QMD6, QMD6/A, QME4, QME4/A, QMP4, QMX2, QMX2/A, QMXC, QM22, QNT, QNT4, QPU, QW24, QWA4, QWA4/A, QWW2, QWX2, QWX2/A, QX2, QX2/A, QX26, QX4, QX4/A, QX7, QX9, QX9/A, QXC4, QXC9, QXE2, QXE2/A, QXE4, QXE5, QXE5/A, QXE8, QXEB, QXF2, QXGB, QXM2, QXP2, QXS2, QXS2/A, QXU, QXU/A, QXW, QXWE, QXWE/A, RH2, RH2/A, RHQ4, RHQ4/A, RTB2, RX4, RX4/A, RXE2, RXE2/A, RXP2, RXU, RXU/A, S1CY, S1CY/A, SCM, SCM/A, SD16, SD16/A, SG22, SG24, SG24/A, SHCC, SHCC/A, SHQ4, SHQ4/A, SHQU, SHRY, SHRY/A, SMC7, SMC7/A, SMC9, SMC9/A, SMW2, SMW2/A, SMX4, SMX4/A, SMXC, SMXE, SMXE/A, SXS2, SXS2/A, SWX2, SWX2/A, SX2, SX4, SX4/A, SX7, SX9, SX9/A, SXE4, SXE5, SXE5/A, SXS, SXS2, SXS4, SXS4/A, SXU, SXU/A, TW24, TX2, TX2/A, TX26, TX4, TX4/A, TXC9, TXDU, TXDU/A, TXU, UXU, UXU/A, VA2, VA2/A, VCG, VCG/A, VG24, VG25, VG25/A, VG29, VMS4, VSD, VSD2, VSD7, VSD9, VSD9/A, VWA2, VX2, VX2/A, VX4, VXE9, VXE9/A, VXU1, VXU1/A, WKS, WKS/A, WKT2, WKT2/A, WKT4, WKT6, WMB0, WMB0/A, WMT4, WMT4/A	



E-17

FUEL TANK



Ref. No.	Part No.	Description	Reqd. QTY						Serial No.	Parts catalogue code
			GX 160 UT1	GX 160 UT2	GX 160 UT2X	GX 160 RT1	GX 160 RT2	GX 160 RT2X		
8	91353-671-004	O-RING, 14MM(NOK)	1	1	1	-	-	-	HH26, HH26/A, HHQ4, HX2, HX2/A, HX4, HX4/A, HXE8, HXE8/A, HXU LHN4, LHN4/A, LHQ4, LX2, LX2/A, LX26, LX4, LX4/A, LXM2, LXM2/A LXU, PXU, PXU/A, QA2, QA2/A, QA26, QAX2, QAX4, QAX4/A, QBC2 QBM2, QBM2/A, QBT6, QC9, QC9/A, QCB2, QCM, QCM/A, QGR9, QGR9/A QH26, QH26/A, QHQ4, QHQ4/A, QHQ4, QKA4, QMC6, QMC6/A, QMC8 QMC8/A, QMD6, QMD6/A, QME4, QME4/A, QMP4, QMX2, QMX2/A, QMXC QM22, QNT, QNT4, QPU, QW24, QWA4, QWA4/A, QWW2, QWX2, QWX2/A QX2, QX2/A, QX26, QX4, QX4/A, QX7, QX9, QX9/A, QXC4, QXC9, QXE2 QXE2/A, QXE4, QXE5, QXE5/A, QXE8, QXEB, QXF2, QXGB, QXM2, QXP2 QXS2, QXS2/A, QXU, QXU/A, QXW, QXWE, QXWE/A, RH2, RH2/A, RHQ4 RHQ4/A, RTB2, RX4, RX4/A, RXE2, RXE2/A, RXP2, RXU, RXU/A, S1CY S1CY/A, SCM, SCM/A, SD16, SD16/A, SG22, SG24, SG24/A, SHCC SHCC/A, SHQ4, SHQ4/A, SHQU, SHRY, SHRY/A, SMC7, SMC7/A, SMC9 SMC9/A, SMW2, SMW2/A, SMX4, SMX4/A, SMXC, SMXE, SMXE/A, SSS2 SSS2/A, SWX2, SWX2/A, SX2, SX4, SX4/A, SX7, SX9, SX9/A, SXE4 SXE5, SXE5/A, SXS, SXS2, SXS4, SXS4/A, SXU, SXU/A, TW24, TX2 TX2/A, TX26, TX4, TX4/A, TXC9, TXDU, TXDU/A, TXU, UXU, UXU/A VA2, VA2/A, VCG, VCG/A, VG24, VG25, VG25/A, VG29, VMS4, VSD VSD2, VSD7, VSD9, VSD9/A, VWA2, VX2, VX2/A, VX4, VXE9, VXE9/A VXU1, VXU1/A, WKS, WKS/A, WKT2, WKT2/A, WKT4, WKT6, WMB0 WMB0/A, WMT4, WMT4/A	

E-17

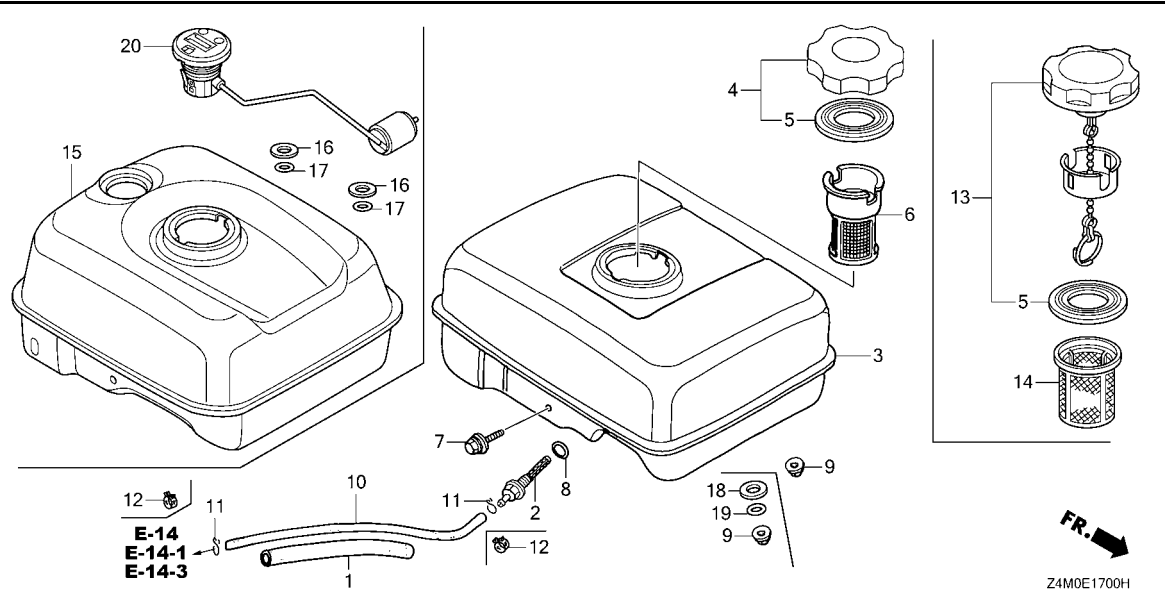
FUEL TANK

Ref. No.	Part No.	Description	Reqd. QTY						Serial No.	Parts catalogue code
			GX 160 UT1	GX 160 UT2	GX 160 UT2X	GX 160 RT1	GX 160 RT2	GX 160 RT2X		
9	94050-06000	NUT, FLANGE, 6MM.....	2	2	2	-	-	-	-----	HH26, HH26/A, HHQ4, HX2, HX2/A, HX4, HX4/A, HXE8, HXE8/A, HXU LHN4, LHN4/A, LHQ4, LX2, LX2/A, LX26, LX4, LX4/A, LXM2, LXM2/A LXU, PXU, PXU/A, QA2, QA2/A, QA26, QAX2, QAX4, QAX4/A, QBC2 QBM2, QBM2/A, QBT6, QC9, QC9/A, QCB2, QCM, QCM/A, QGR9, QGR9/A QH26, QH26/A, QHQ4, QHQ4/A, QHQU, QKA4, QMC6, QMC6/A, QMC8 QMC8/A, QMD6, QMD6/A, QME4, QME4/A, QMP4, QMX2, QMX2/A, QMXX QMZZ, QNT, QNT4, QPU, QW24, QWA4, QWA4/A, QWW2, QWX2, QWX2/A QX2, QX2/A, QX26, QX4, QX4/A, QX7, QX9, QX9/A, QXC4, QXC9, QXE2 QXE2/A, QXE4, QXE5, QXE5/A, QXE8, QXEB, QXF2, QXGB, QXM2, QXP2 QXS2, QXS2/A, QXU, QXU/A, QXW, QXWE, QXWE/A, RH2, RH2/A, RHQ4 RHQ4/A, RTB2, RX4, RX4/A, RXE2, RXE2/A, RXP2, RXU, RXU/A, S1CY S1CY/A, SCM, SCM/A, SD16, SD16/A, SG22, SG24, SG24/A, SHCC SHCC/A, SHQ4, SHQ4/A, SHQU, SHRY, SHRY/A, SMC7, SMC7/A, SMC9 SMC9/A, SMW2, SMW2/A, SMX4, SMX4/A, SMXC, SMXE, SMXE/A, SSS2 SSS2/A, SWX2, SWX2/A, SX2, SX4, SX4/A, SX7, SX9, SX9/A, SXE4 SXE5, SXE5/A, SXS, SXS2, SXS4, SXS4/A, SXU, SXU/A, TW24, TX2 TX2/A, TX26, TX4, TX4/A, TXC9, TXDU, TXDU/A, TXU, UXU, UXU/A VA2, VA2/A, VCG, VCG/A, VG24, VG25, VG25/A, VG29, VMS4, VSD VSD2, VSD7, VSD9, VSD9/A, VWA2, VX2, VX2/A, VX4, VXE9, VXE9/A VXU1, VXU1/A, WKS, WKS/A, WKT2, WKT2/A, WKT4, WKT6, WMB0 WMB0/A, WMT4, WMT4/A
10	91424-24F-802	TUBE, FUEL, 4.5X140(FKM).....	1	-	-	-	-	-	-----	HH26, HHQ4, HX2, HX4, HXE8, HXU, QAX2, QAX4, QBM2, QHQU, QKA4 QNT4, QXC4, QXC9, QXE4, QXE5, QXE8, QXP2, QXW, QXWE, RH2, RHQ4 RTB2, RX4, RXE2, RXP2, RXU, SG22, SHQU, SSS2, SX2, SXE4, SXE5 SXS, SXS2, TXC9, UXU, VG29, VSD2, WMB0
	91424-24F-801	1	-	-	-	-	-	-----	TXDU
	95001-45140-40	TUBE, FUEL, 4.5X140 (95001-45001-60M)	1	-	-	-	-	-	-----	1268513 LHQ4, LX2, LX26, LX4, LXU, PXU, QA2, QA26, QBC2, QBT6, QCB2 QGR9, QH26, QHQ4, QMC6, QMC8, QMD6, QME4, QMP4, QMZZ, QNT, QPU QW24, QWA4, QWW2, QWX2, QX2, QX26, QX4, QX7, QX9, QXE2, QXF2 QXS2, QXU, SD16, SG24, SHQ4, SMC7, SMC9, SWX2, SX4, SX7, SX9 SXS4, SXU, TW24, TX2, TX26, TX4, TXU, VA2, VG24, VHA9, VMS4, VSD VSD7, VSD9, VWA2, VX2, VX4, VXE9, VXU1, VXXW2, WKS, WKT2, WKT4 WKT6
	91424-24F-801	TUBE, FUEL, 4.5X140(FKM).....	1	-	-	-	-	-	-----	1268514 ----- LHQ4, LX2, LX26, LX4, LXU, PXU, QA2, QA26, QBC2, QBT6, QCB2 QGR9, QH26, QHQ4, QMC6, QMC8, QMD6, QME4, QMP4, QMZZ, QNT, QPU QW24, QWA4, QWW2, QWX2, QX2, QX26, QX4, QX7, QX9, QXE2, QXF2 QXS2, QXU, SD16, SG24, SHQ4, SMC7, SMC9, SWX2, SX4, SX7, SX9 SXS4, SXU, TW24, TX2, TX26, TX4, TXU, VA2, VG24, VHA9, VMS4, VSD VSD7, VSD9, VWA2, VX2, VX4, VXE9, VXU1, VXXW2, WKS, WKT2, WKT4 WKT6



E-17

FUEL TANK



Ref. No.	Part No.	Description	Reqd. QTY						Serial No.	Parts catalogue code
			GX 160 UT1	GX 160 UT2	GX 160 UT2X	GX 160 RT1	GX 160 RT2	GX 160 RT2X		
10)	91424-Z4M-003	TUBE, FUEL, 4.5X145(FKM).....	-	1	-	-	-	-	HH26, HHQ4, HX2, HX4, HXE8, LHN4, LHN4/A, LHQ4, LX2, LX4, LXM2 PXU, QA2, QAX2, QAX4, QBC2, QBM2, QC9, QCM, QGR9, QH26, QHQ4 QMC6, QMC8, QMD6, QME4, QMP4, QMX2, QMXC, QPU, QWA4, QWX2, QX2 QX4, QX9, QXC9, QXE2, QXE5, QXE8, QXM2, QXS2, QXU, QXWE, RH2 RHQ4, RX4, RXE2, RXU, RXU/A, S1CY, SCM, SD16, SG24, SHCC, SHQ4 SHRY, SMC7, SMC9, SMW2, SMX4, SMXC, SMXE, SSX2, SWX2, SX4, SX9 SX9/A, SXE5, SXS4, SXU, TX2, TX4, TXC9, TXDU, UXU, VA2, VCG VG25, VG29, VSD9, VX2, VX2/A, VXE9, VXU1, WKS, WKT2, WMB0, WMT4	
			-	1	-	-	-	-	4214195	HH26/A, HX2/A, HX4/A, HXE8/A, QAX4/A, QMX2/A, QXE5/A, QXWE/A RH2/A, RHQ4/A, RX4/A, RXE2/A, S1CY/A, SHRY/A, SMW2/A, SSX2/A SXE5/A, UXU/A, WMB0/A, WMT4/A
			-	1	-	-	-	-	4214591	LX2/A, LX4/A, LXM2/A, PXU/A, QA2/A, QBM2/A, QC9/A, QCM/A QGR9/A, QH26/A, QHQ4/A, QMC6/A, QMC8/A, QMD6/A, QME4/A QWA4/A, QWX2/A, QX2/A, QX4/A, QX9/A, QXE2/A, QXEB, QXGB QXS2/A, QXU/A, SCM/A, SD16/A, SG24/A, SHCC/A, SHQ4/A, SMC7/A SMC9/A, SMX4/A, SMXE/A, SWX2/A, SX4/A, SXS4/A, SXU/A, TX2/A TX4/A, TXDU/A, VA2/A, VCG/A, VG25/A, VSD9/A, VXE9/A, VXU1/A WKS/A, WKT2/A
	91424-Z4M-013	-	1	-	-	-	-	4214196	HH26/A, HX2/A, HX4/A, HXE8/A, QAX4/A, QMX2/A, QXE5/A, QXWE/A RH2/A, RHQ4/A, RX4/A, RXE2/A, S1CY/A, SHRY/A, SMW2/A, SSX2/A SXE5/A, UXU/A, WMB0/A, WMT4/A
			-	1	-	-	-	-	4214592	LX2/A, LX4/A, LXM2/A, PXU/A, QA2/A, QBM2/A, QC9/A, QCM/A QGR9/A, QH26/A, QHQ4/A, QMC6/A, QMC8/A, QMD6/A, QME4/A QWA4/A, QWX2/A, QX2/A, QX4/A, QX9/A, QXE2/A, QXEB, QXGB QXS2/A, QXU/A, SCM/A, SD16/A, SG24/A, SHCC/A, SHQ4/A, SMC7/A SMC9/A, SMX4/A, SMXE/A, SWX2/A, SX4/A, SXS4/A, SXU/A, TX2/A TX4/A, TXDU/A, VA2/A, VCG/A, VG25/A, VSD9/A, VXE9/A, VXU1/A WKS/A, WKT2/A
	91424-Z4M-023	-	-	1	-	-	-		



E-17

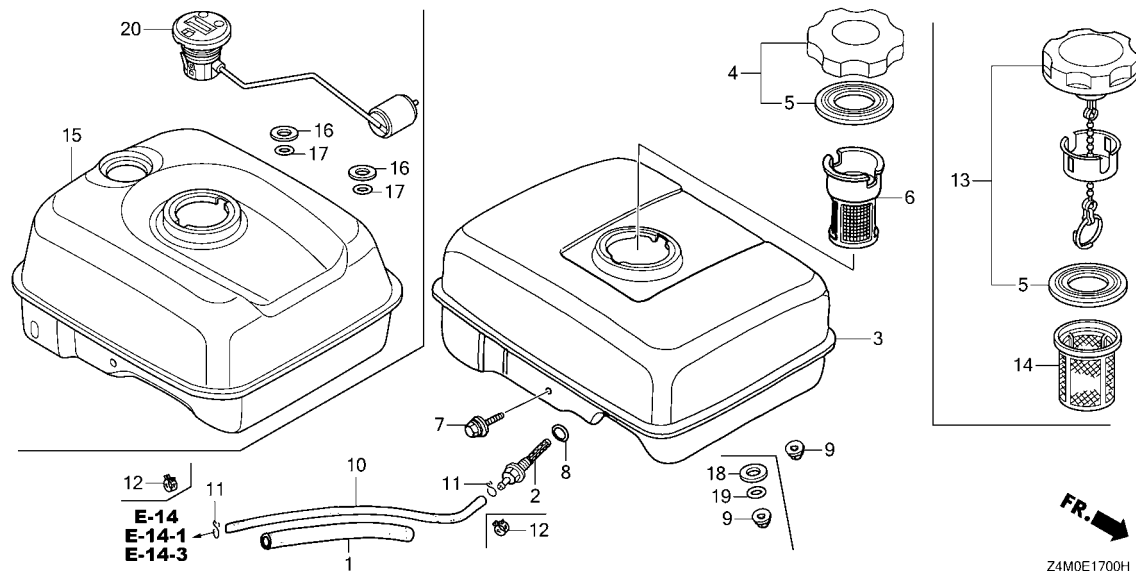
FUEL TANK

Ref. No.	Part No.	Description	Reqd. QTY						Serial No.	Parts catalogue code
			GX 160 UT1	GX 160 UT2	GX 160 UT2X	GX 160 RT1	GX 160 RT2	GX 160 RT2X		
11	95002-02080	CLIP, TUBE(B8)	2	-	-	-	-	-	----- 1268513	LHQ4, LX2, LX26, LX4, LXU, PXU, QA2, QA26, QBC2, QBT6, QCB2, QGR9, QH26, QHQ4, QMC6, QMC8, QMD6, QME4, QMP4, QM22, QNT, QPU, QW24, QWA4, QWW2, QWX2, QX2, QX26, QX4, QX7, QX9, QXE2, QXF2, QXS2, QXU, SD16, SG24, SHQ4, SMC7, SMC9, SWX2, SX4, SX7, SX9, SXS4, SXU, TW24, TX2, TX26, TX4, TXU, VA2, VG24, VHA9, VMS4, VSD, VSD7, VSD9, VWA2, VX2, VX4, VXE9, VXU1, VXX2, WKS, WKT2, WKT4, WKT6
12	95002-40800-08	CLAMP, TUBE(D8)	2	-	-	-	-	-	-----	HH26, HHQ4, HX2, HX4, HXE8, HXU, QAX2, QAX4, QBM2, QHQU, QKA4, QNT4, QXC4, QXC9, QXE4, QXE5, QXE8, QXP2, QXW, QXWE, RH2, RHQ4, RTB2, RX4, RXE2, RXP2, RXU, SG22, SHQU, SSS2, SX2, SXE4, SXE5, SXS, SXS2, TXC9, TXDU, UXU, VG29, VSD2, WMB0
			2	-	-	-	-	-	----- 1268514	LHQ4, LX2, LX26, LX4, LXU, PXU, QA2, QA26, QBC2, QBT6, QCB2, QGR9, QH26, QHQ4, QMC6, QMC8, QMD6, QME4, QMP4, QM22, QNT, QPU, QW24, QWA4, QWW2, QWX2, QX2, QX26, QX4, QX7, QX9, QXE2, QXF2, QXS2, QXU, SD16, SG24, SHQ4, SMC7, SMC9, SWX2, SX4, SX7, SX9, SXS4, SXU, TW24, TX2, TX26, TX4, TXU, VA2, VG24, VHA9, VMS4, VSD, VSD7, VSD9, VWA2, VX2, VX4, VXE9, VXU1, VXX2, WKS, WKT2, WKT4, WKT6
13	17620-Z4H-020	CAP COMP., FUEL FILLER	1	2	2	-	-	-	-----	HH26, HHQ4, HX2, HX4, HXE8, HXU, QAX2, QAX4, QBM2, QHQU, QKA4, QNT4, QXC4, QXC9, QXE4, QXE5, QXE8, QXP2, QXW, QXWE, RH2, RHQ4, RTB2, RX4, RXE2, RXP2, RXU, SG22, SHQU, SSS2, SX2, SXE4, SXE5, SXS, SXS2, TXC9, UXU, VG29, VSD2, WMB0
	17620-Z4H-010	1	-	-	-	-	-	----- 2125381	TXDU
	17620-Z4H-000	1	-	-	-	-	-	----- 1706984	1991087
	17620-Z4H-010	1	-	-	-	-	-	----- 1991088	2125381
	17620-Z4H-020	1	-	-	-	-	-	----- 2125382	-----



E-17

FUEL TANK



Ref. No.	Part No.	Description	Reqd. QTY						Serial No.	Parts catalogue code	
			GX 160 UT1	GX 160 UT2	GX 160 UT2X	GX 160 RT1	GX 160 RT2	GX 160 RT2X			
13)	17620-Z4H-900	CAP COMP., FUEL FILLER.....	-	1	-	-	-	-	-	HH26, HHQ4, HX2, HX4, HXE8, LHN4, LHN4/A, LHQ4, LX2, LX4, LXM2 PXU, QA2, QAX2, QAX4, QBC2, QBM2, QC9, QCM, QGR9, QH26, QHQ4 QMC6, QMC8, QMD6, QME4, QMP4, QMX2, QPU, QWA4, QWX2, QX2, QX4 QX9, QXE2, QXE5, QXE8, QXM2, QXS2, QXU, QXWE, RH2, RHQ4, RX4 RXE2, RXU, RXU/A, S1CY, SCM, SD16, SG24, SHCC, SHQ4, SHRY, SMC7 SMC9, SMW2, SMX4, SMXE, SSS2, SWX2, SX4, SX9, SX9/A, SXE5, SXS4 SXU, TX2, TX4, TXC9, TXDU, UXU, VA2, VCG, VG25, VSD9, VX2, VX2/A VXE9, VXU1, WKS, WKT2, WMB0, WMT4	
			-	1	-	-	-	-	4214195	HH26/A, HX2/A, HX4/A, HXE8/A, LX2/A, LX4/A, LXM2/A, PXU/A QA2/A, QAX4/A, QBM2/A, QC9/A, QCM/A, QGR9/A, QH26/A, QHQ4/A QMC6/A, QMC8/A, QMD6/A, QME4/A, QMX2/A, QMXC, QWA4/A, QWX2/A QX2/A, QX4/A, QX9/A, QXC9, QXE2/A, QXE5/A, QXEB, QXGB, QXS2/A QXU/A, QXWE/A, RH2/A, RHQ4/A, RX4/A, RXE2/A, S1CY/A, SCM/A SD16/A, SG24/A, SHCC/A, SHQ4/A, SHRY/A, SMC7/A, SMC9/A SMW2/A, SMX4/A, SMXC, SMXE/A, SSS2/A, SWX2/A, SX4/A, SXE5/A SXS4/A, SXU/A, TX2/A, TX4/A, TXDU/A, UXU/A, VA2/A, VCG/A VG25/A, VG29, VSD9/A, VXE9/A, VXU1/A, WKS/A, WKT2/A, WMB0/A WMT4/A	
	17620-Z4H-910	-	1	-	-	-	-	4214196	QMXC, SMXC	
			-	1	-	-	-	-	4214196	4308728	LX2/A, LX4/A, LXM2/A, PXU/A, QA2/A, QBM2/A, QC9/A, QCM/A QGR9/A, QH26/A, QHQ4/A, QMC6/A, QMC8/A, QMD6/A, QME4/A QWA4/A, QWX2/A, QX2/A, QX4/A, QX9/A, QXE2/A, QXEB, QXGB QXS2/A, QXU/A, SCM/A, SD16/A, SG24/A, SHCC/A, SHQ4/A, SMC7/A SMC9/A, SMX4/A, SMXE/A, SWX2/A, SX4/A, SXS4/A, SXU/A, TX2/A TX4/A, TXDU/A, VA2/A, VCG/A, VG25/A, VSD9/A, VXE9/A, VXU1/A WKS/A, WKT2/A
			-	1	-	-	-	-	4214196	4309701	HH26/A, HX2/A, HX4/A, HXE8/A, QAX4/A, QMX2/A, QXC9, QXE5/A QXWE/A, RH2/A, RHQ4/A, RX4/A, RXE2/A, S1CY/A, SHRY/A, SMW2/A SSS2/A, SXE5/A, UXU/A, VG29, WMB0/A, WMT4/A

E-17

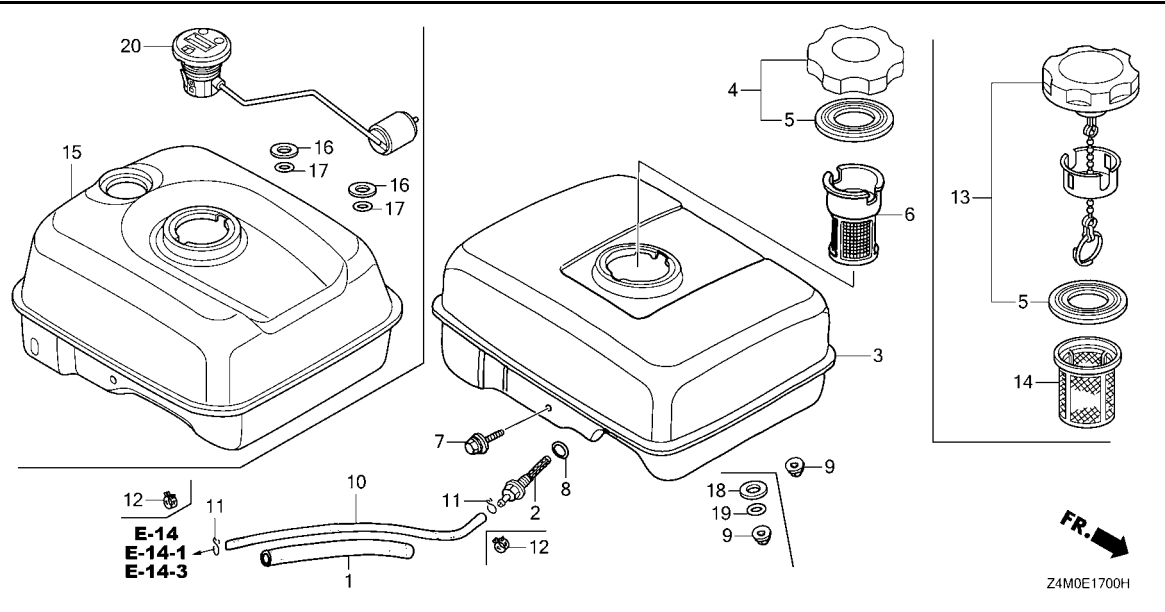
FUEL TANK

Ref. No.	Part No.	Description	Reqd. QTY							Serial No.	Parts catalogue code
			GX 160 UT1	GX 160 UT2	GX 160 UT2X	GX 160 RT1	GX 160 RT2	GX 160 RT2X			
13)	17620-24H-911	CAP COMP., FUEL FILLER.....	-	1	-	-	-	-	4308729 4325533	LX2/A, LX4/A, LXM2/A, PXU/A, QA2/A, QBM2/A, QC9/A, QCM/A, QGR9/A, QH26/A, QHQ4/A, QMC6/A, QMC8/A, QMD6/A, QME4/A, QWA4/A, QWX2/A, QX2/A, QX4/A, QX9/A, QXE2/A, QXEB, QXGB, QXS2/A, QXU/A, SCM/A, SD16/A, SG24/A, SHCC/A, SHQ4/A, SMC7/A, SMC9/A, SMX4/A, SMXE/A, SWX2/A, SX4/A, SXS4/A, SXU/A, TX2/A, TX4/A, TXDU/A, VA2/A, VCG/A, VG25/A, VSD9/A, VXE9/A, VXU1/A, WKS/A, WKT2/A	
			-	1	-	-	-	-	4309702 4326033	HH26/A, HX2/A, HX4/A, HXE8/A, QAX4/A, QMX2/A, QXC9, QXE5/A, QXWE/A, RH2/A, RHQ4/A, RX4/A, RXE2/A, S1CY/A, SHRY/A, SMW2/A, SSSX2/A, SXE5/A, UXU/A, VG29, WMB0/A, WMT4/A	
	17620-24H-920	-	1	-	-	-	-	4325534 -----	LX2/A, LX4/A, LXM2/A, PXU/A, QA2/A, QBM2/A, QC9/A, QCM/A, QGR9/A, QH26/A, QHQ4/A, QMC6/A, QMC8/A, QMD6/A, QME4/A, QWA4/A, QWX2/A, QX2/A, QX4/A, QX9/A, QXE2/A, QXEB, QXGB, QXS2/A, QXU/A, SCM/A, SD16/A, SG24/A, SHCC/A, SHQ4/A, SMC7/A, SMC9/A, SMX4/A, SMXE/A, SWX2/A, SX4/A, SXS4/A, SXU/A, TX2/A, TX4/A, TXDU/A, VA2/A, VCG/A, VG25/A, VSD9/A, VXE9/A, VXU1/A, WKS/A, WKT2/A	
			-	1	-	-	-	-	4326034 -----	HH26/A, HX2/A, HX4/A, HXE8/A, QAX4/A, QMX2/A, QXC9, QXE5/A, QXWE/A, RH2/A, RHQ4/A, RX4/A, RXE2/A, S1CY/A, SHRY/A, SMW2/A, SSSX2/A, SXE5/A, UXU/A, VG29, WMB0/A, WMT4/A	
14	17672-24H-000	FILTER, FUEL.....	-	-	1	-	-	-	-----	QBM2, QNT4, SSSX2	
			1	-	-	-	-	-	1706984 -----	QA2, QA26, QBC2, QM22, QNT, WKT2, WKT4, WKT6	
			(1)	-	-	-	-	-	1706984 -----	WKS	
			-	1	1	-	-	-	-----	LXM2, LXM2/A, QA2, QA2/A, QBC2, QBM2, QBM2/A, QCM, QCM/A, QMX2, QMX2/A, QMXC, QXM2, S1CY, S1CY/A, SCM, SCM/A, SHCC, SHCC/A, SHRY, SHRY/A, SMW2, SMW2/A, SMX4, SMX4/A, SMXC, SMXE, SMXE/A, SSSX2, SSSX2/A, WKT2, WKT2/A	
			-	(1)	(1)	-	-	-	-----	WKS, WKS/A	
15	17510-24M-000ZA	TANK COMP., FUEL *NH31*.....MCKINLEY WHITE	-	1	1	-	-	-	-----	HH26, HH26/A, HHQ4, HX2, HX2/A, HX4, HX4/A, HXE8, HXE8/A, LHN4, LHN4/A, LHQ4, LX2, LX2/A, LX4, LX4/A, LXM2, LXM2/A, PXU, PXU/A, QA2, QA2/A, QAX2, QAX4, QAX4/A, QBC2, QBM2, QBM2/A, QC9, QC9/A, QGR9, QGR9/A, QH26, QH26/A, QHQ4, QHQ4/A, QMC6, QMC6/A, QMC8, QMC8/A, QMD6, QMD6/A, QME4, QME4/A, QMP4, QPU, QWA4, QWA4/A, QWX2, QWX2/A, QX2, QX2/A, QX4, QX4/A, QX9, QX9/A, QXC9, QXE2, QXE2/A, QXE5, QXE5/A, QXE8, QXE8, QXEB, QXGB, QXM2, QXS2, QXS2/A, QXU, QXU/A, QXWE, QXWE/A, RH2, RH2/A, RHQ4, RHQ4/A, RX4, RX4/A, RXE2, RXE2/A, RXU, RXU/A, S1CY, S1CY/A, SCM, SCM/A, SD16, SD16/A, SG24, SG24/A, SHQ4, SHQ4/A, SHRY, SHRY/A, SMC7, SMC7/A, SMC9, SMC9/A, SMW2, SMW2/A, SMXC, SMXE, SMXE/A, SX4, SX4/A, SX9, SX9/A, SXE5, SXE5/A, SXS4, SXS4/A, SXU, SXU/A, TX2, TX2/A, TX4, TX4/A, TXC9, TXDU, TXDU/A, UXU, UXU/A, VA2, VA2/A, VSD9, VSD9/A, VX2, VX2/A, VXE9, VXE9/A, VXU1, VXU1/A, WKS, WKS/A, WKT2, WKT2/A, WMB0, WMB0/A, WMT4, WMT4/A, SHCC, SHCC/A	
	17510-24M-800ZA	*NH31*.....MCKINLEY WHITE	-	1	1	-	-	-	-----	SHCC, SHCC/A	



E-17

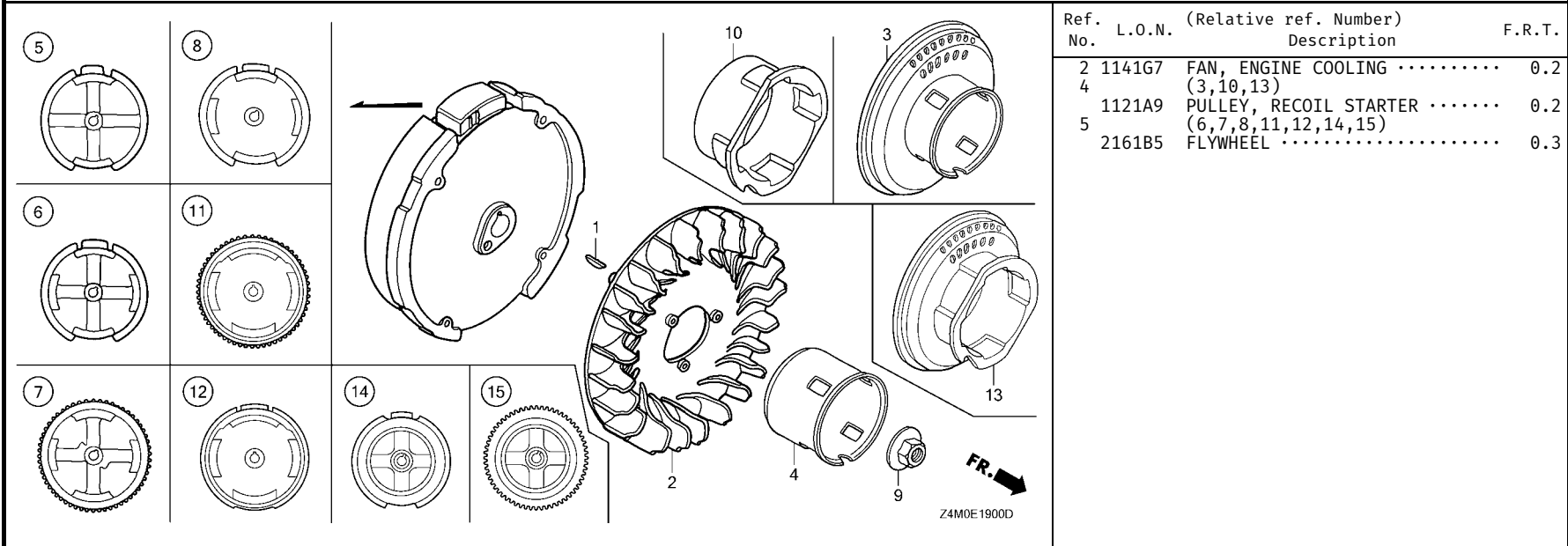
FUEL TANK



Ref. No.	Part No.	Description	Reqd. QTY						Serial No.	Parts catalogue code
			GX 160 UT1	GX 160 UT2	GX 160 UT2X	GX 160 RT1	GX 160 RT2	GX 160 RT2X		
15)	17510-Z4M-000ZB	TANK COMP., FUEL *NH1*.....BLACK	-	1	-	-	-	-	-	HX2, HX2/A, LX2, LX2/A, PXU, PXU/A, QA2, QA2/A, QBC2, QBM2, QBM2/A, QC9, QC9/A, QCM, QCM/A, QGR9, QGR9/A, QH26, QH26/A, QHQ4, QHQ4/A, QMC6, QMC6/A, QMC8, QMC8/A, QMD6, QMD6/A, QME4, QME4/A, QMX2, QMX2/A, QMXX, QMXX/A, QWA4, QWA4/A, QWX2, QWX2/A, QX2, QX2/A, QX4, QX4/A, QX9, QX9/A, QXC9, QXE2, QXE2/A, QXEB, QXGB, QXS2, QXS2/A, QXU, QXU/A, RH2, RH2/A, S1CY, S1CY/A, SCM, SCM/A, SD16, SD16/A, SG24, SG24/A, SHQ4, SHQ4/A, SHRY, SHRY/A, SMC7, SMC7/A, SMC9, SMC9/A, SMX4, SMX4/A, SMXC, SMXE, SMXE/A, SXS2, SXS2/A, SWX2, SWX2/A, SX4, SX4/A, SX9, SX9/A, SXS4, SXS4/A, SXU, SXU/A, TX2, TX2/A, TX4, TX4/A, VA2, VA2/A, VCG, VCG/A, VG25, VG25/A, VG29, VX2, VX2/A, VXU1, VXU1/A, WKS, WKS/A, WKT2, WKT2/A
			-	-	1	-	-	-	-	HX2, LX2, PXU, QA2, QBM2, QC9, QCM, QGR9, QH26, QHQ4, QMC6, QMC8, QMD6, QME4, QMX2, QWA4, QX2, QX4, QX9, QXE2, QXEB, QXGB, QXU, RH2, SCM, SD16, SG24, SHQ4, SHRY, SMC7, SMX4, SMXE, SXS2, SWX2, SX4, SXS4, SXU, TX2, TX4, VA2, VG25, WKS, WKT2
16	90503-898-000	WASHER, TANK CUSHION.....	-	2	2	-	-	-	-	QCM, QCM/A, QMX2, QMX2/A, QMXX, SCM, SCM/A, SMX4, SMX4/A, SMXC, SMXE, SMXE/A
17	91302-Z4M-003	O-RING, 5.5X1.5.....	-	2	2	-	-	-	-	QCM, QCM/A, QMX2, QMX2/A, QMXX, SCM, SCM/A, SMX4, SMX4/A, SMXC, SMXE, SMXE/A
18	90404-680-000	WASHER, 6.5X25X1.5.....	-	2	-	-	-	-	1041804	1381580 QMX2, SMX4, SMXE
19	91319-ME5-003	O-RING, 5.5X1.4.....	-	2	-	-	-	-	1041804	1381580 QMX2, SMX4, SMXE
20	17630-Z4M-003	GAUGE ASSY., FUEL.....	-	1	1	-	-	-	-	SHCC, SHCC/A

E-19

FLYWHEEL



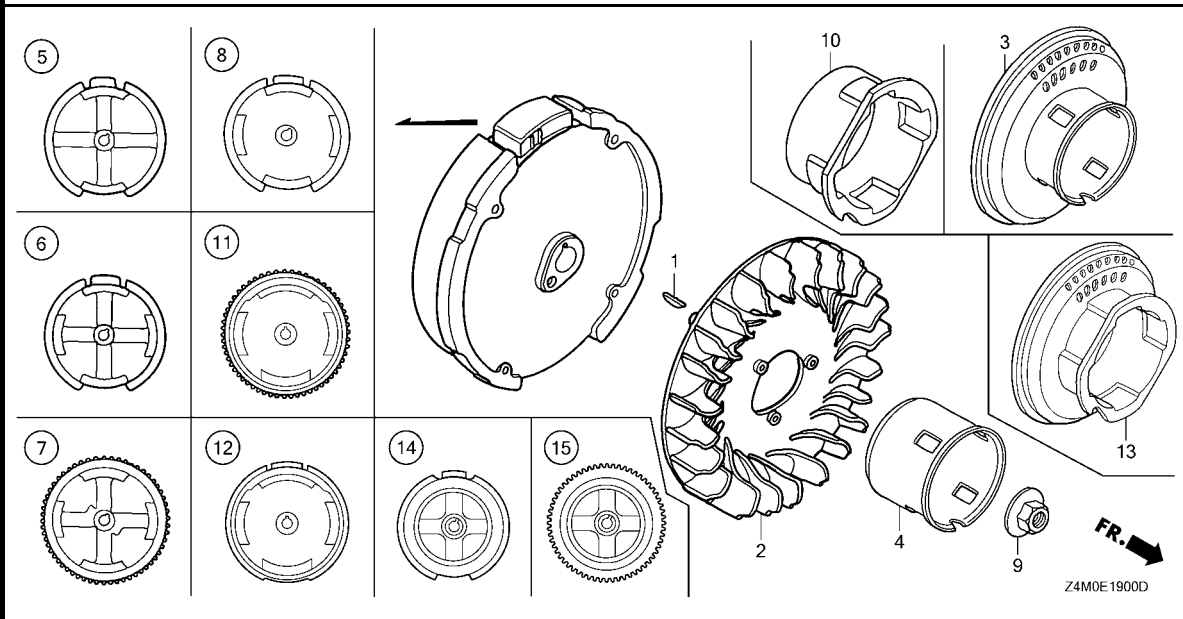
Ref. No.	L.O.N.	(Relative ref. Number) Description	F.R.T.
2	1141G7	FAN, ENGINE COOLING	0.2
4		(3,10,13)	
5	1121A9	PULLEY, RECOIL STARTER	0.2
		(6,7,8,11,12,14,15)	
	2161B5	FLYWHEEL	0.3

Ref. No.	Part No.	Description	Reqd. QTY						Serial No.	Parts catalogue code							
			GX 160 UT1	GX 160 UT2	GX 160 UT2X	GX 160 RT1	GX 160 RT2	GX 160 RT2X									
1	13331-357-000 13331-Z8B-900	KEY, SPECIAL WOODRUFF, 25X18·	1	-	-	1	-	-	-----	EMAN, EMAN/A, HH26, HH26/A, HX2, HX2/A, HX4, HX4/A, HXE8, HXE8/A, LX2, LX2/A, LX4, LX4/A, LXM2, LXM2/A, PXU, PXU/A, QA2, QA2/A, QAX4, QAX4/A, QBM2, QBM2/A, QC9, QC9/A, QCM, QCM/A, QGR9, QGR9/A, QH26, QH26/A, QHG4, QHG4/A, QHQ4, QHQ4/A, QMC6, QMC6/A, QMC8, QMC8/A, QMD6, QMD6/A, QME4, QME4/A, QMX2, QMX2/A, QMXC, QWA4, QWA4/A, QWX2, QWX2/A, QX2, QX2/A, QX4, QX4/A, QX9, QX9/A, QXC9, QXE2, QXE2/A, QXE5, QXE5/A, QXEB, QXGB, QXS2, QXS2/A, QXU, QXU/A, QXWE, QXWE/A, RH2, RH2/A, RHG4, RHG4/A, RHQ4, RHQ4/A, RX4, RX4/A, RXE2, RXE2/A, RXU, RXU/A, S1CY, S1CY/A, SCM, SCM/A, SD16, SD16/A, SG24, SG24/A, SHCC, SHCC/A, SHQ4, SHQ4/A, SHRY, SHRY/A, SMC7, SMC7/A, SMC9, SMC9/A, SMW2, SMW2/A, SMX4, SMX4/A, SMXC, SMXE, SMXE/A, SSX2, SSX2/A, SWX2, SWX2/A, SX4, SX4/A, SXE5, SXE5/A, SXS4, SXS4/A, SXU, SXU/A, TX2, TX2/A, TX4, TX4/A, TXDU, TXDU/A, UXU, UXU/A, VA2, VA2/A, VCG, VCG/A, VES6, VES6/A, VG25, VG25/A, VG29, VHH4, VHH4/A, VSD9, VSD9/A, VWS1, VWS1/A, VWWN, VWWN/A, VX2, VX2/A, VXE9, VXE9/A, VXU1, VXU1/A, WKS, WKS/A, WKT2, WKT2/A, WMB0, WMB0/A, WMT4, WMT4/A	-	1	-	-	-	-----	HHQ4, LHN4, LHN4/A, LHQ4, QAX2, QBC2, QMP4, QPU, QXE8, QXM2, SX9, SX9/A, TXC9
	13331-357-000	-	1	-	-	-	-	-----	SWG4, SWG4/A, VGE4, VGE5, VPM5, VS19, VWS							
2	19511-ZE1-000	FAN, COOLING	1	1	1	1	1	1	-----	QA2, QA26, QBC2, QBM2, QMC8, QMD6, QWA4, SG22, SG24, SMC7, SMC9, VG24							
3	28450-ZH8-801	PULLEY COMP., STARTER	1	-	-	-	-	-	-----	QBC2							
			-	1	-	-	-	-	-----	2546985 QA2, QBM2, QMC8, QMD6, QWA4, SG24, SHRY, SMC7, SMC9							



E-19

FLYWHEEL



Ref. No.	Part No.	Description	Reqd. QTY						Serial No.	Parts catalogue code
			GX 160 UT1	GX 160 UT2	GX 160 UT2X	GX 160 RT1	GX 160 RT2	GX 160 RT2X		
4	28451-ZH8-801	PULLEY, STARTER.....	1	-	-	1	-	-	-----	HH26, HHQ4, HX2, HX4, HXE8, HXU, LHQ4, LX2, LX26, LX4, LXU, PXU, QAX2, QAX4, QBT6, QCB2, QCL, QGR9, QH26, QHG4, QHQ4, QHQU, QKA4, QMC6, QME4, QMP4, QMZ2, QNT, QNT4, QPU, QW24, QWW2, QWX2, QX2, QX26, QX4, QX7, QX9, QXC4, QXC9, QXE2, QXE4, QXE5, QXE8, QXF2, QXP2, QXS2, QXU, QXW, QXWE, RH2, RHG4, RHQ4, RTB2, RX4, RXE2, RXP2, RXU, SD16, SHQ4, SHQU, SSS2, SWX2, SX2, SX4, SX7, SX9, SXE4, SXE5, SXS, SXS2, SXS4, SXU, TCS2, TW24, TX2, TX26, TX4, TXC9, TXDU, TXU, UXU, VA2, VG29, VGE2, VGE4, VGE5, VHA9, VHH4, VMS4, VPM4, VPM5, VPM8, VPM9, VPMN, VPR4, VPR9, VS17, VS19, VSD, VSD1, VSD2, VSD7, VSD9, VWA2, VWW2, VWWN, VX2, VX4, VXE9, VXU1, VXW2, WKS, WKT2, WKT4, WKT6, WMB0
			-	1	-	-	1	-	-----	2530950 EMAN, HH26, HX2, HX4, HXE8, LHN4, LX2, LX4, LXM2, PXU, QAX2, QAX4, QGR9, QH26, QHG4, QHQ4, QMC6, QME4, QMP4, QMX2, QMXC, QPU, QWX2, QX2, QX4, QX9, QXC9, QXE2, QXE5, QXM2, QXS2, QXU, QXWE, RH2, RHG4, RHQ4, RX4, RXE2, RXU, S1CY, SD16, SHQ4, SMW2, SMX4, SMXC, SMXE, SSS2, SWG4, SWX2, SX4, SX9, SXE5, SXS4, SXU, TX2, TX4, TXDU, UXU, VA2, VES6, VHH4, VPM5, VS19, VSD9, VWWN, VX2, VXE9, VXU1, WKS, WKT2, WMB0, WMT4
			-	1	-	-	-	-	-----	HHQ4, LHQ4, QXE8, TXC9
			-	1	-	-	-	-	-----	2549163 VG29
			-	-	-	-	1	-	-----	VGE4, VGE5, VWS



E-19

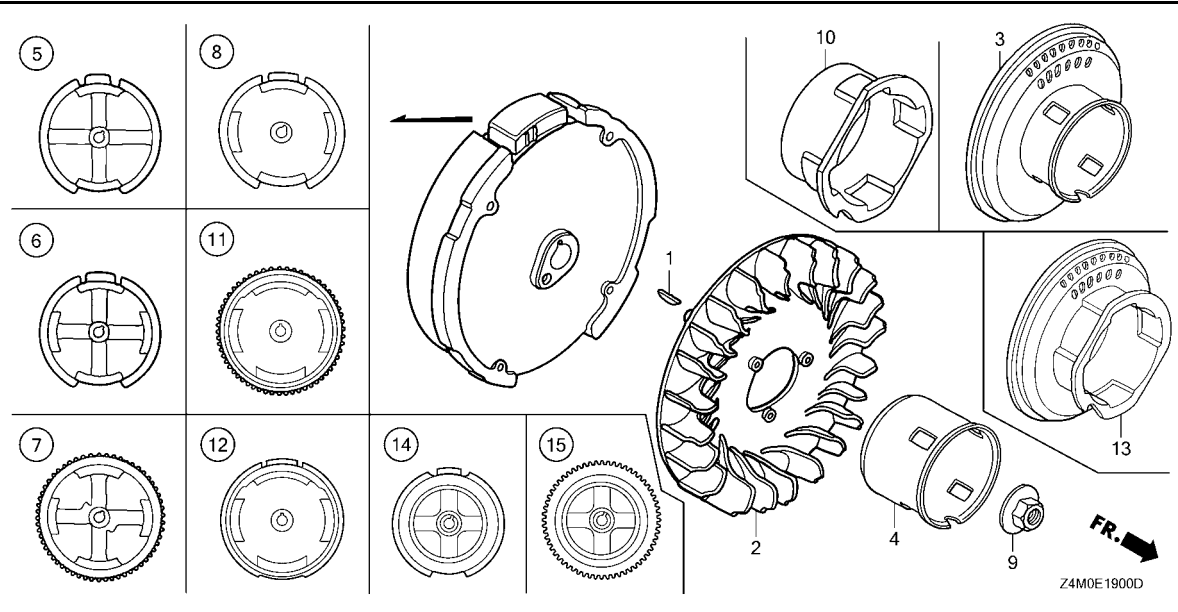
FLYWHEEL

Ref. No.	Part No.	Description	Reqd. QTY						Serial No.	Parts catalogue code
			GX 160 UT1	GX 160 UT2	GX 160 UT2X	GX 160 RT1	GX 160 RT2	GX 160 RT2X		
5	31100-ZE1-010	FLYWHEEL COMP.	1	-	-	1	-	-	-----	HH26, HHQ4, HX2, HX4, HXU, LHQ4, LX2, LX26, LX4, LXU, PXU, QA2, QA26, QBC2, QBM2, QBT6, QCB2, QCL, QH26, QHG4, QHQ4, QHQU, QMC8, QME4, QMP4, QM22, QNT, QNT4, QPU, QW24, QWA4, QWW2, QWX2, QX2, QX26, QX4, QXC4, QXC9, QXF2, QXU, RH2, RHG4, RHQ4, RTB2, RX4, RXU, SD16, SG22, SG24, SHQ4, SHQU, SMC7, SSS2, SWX2, SX2, SX4, SXS2, SXS4, SXU, TCS2, TW24, TX2, TX26, TX4, TXC9, TXDU, TXU, UXU, VA2, VG24, VG29, VGE2, VGE4, VGE5, VHH4, VMS4, VPM4, VPM5, VPMN, VPR4, VSD, VSD1, VWA2, VWW2, VWWN, VX2, VX4, VXU1, VXX2, WKS, WKT2, WKT4, WKT6, WMB0
	31100-ZE7-010	FLYWHEEL COMP.(STD.)	1	-	-	-	-	-	-----	QX7, QX9, SX7, SX9, SXS, VHA9, VPM8, VPM9, VPR9, VS17, VS19, VSD2, VSD7, VSD9
	31110-Z4M-000	FLYWHEEL COMP.	-	1	-	-	1	-	-----	EMAN, HH26, HHQ4, HX2, HX4, HXE8, LHN4, LHQ4, LX2, LX4, LXM2, PXU, QA2, QAX4, QBC2, QBM2, QC9, QCM, QGR9, QH26, QHG4, QHQ4, QMC6, QMC8, QMD6, QME4, QMP4, QMX2, QMXC, QPU, QWA4, QWX2, QX2, QX4, QX9, QXC9, QXE2, QXE5, QXM2, QXS2, QXU, QXWE, RH2, RHG4, RHQ4, RX4, RXE2, RXU, S1CY, SCM, SD16, SG24, SHCC, SHQ4, SHRY, SMC7, SMC9, SMW2, SMX4, SMXC, SMXE, SSS2, SWG4, SWX2, SX4, SX9, SXE5, SXS4, SXU, TX2, TX4, TXC9, TXDU, UXU, VA2, VCG, VES6, VG25, VG29, VGE4, VGE5, VHH4, VPM5, VS19, VSD9, VWS, VWS1, VWWN, VX2, VXE9, VXU1, WKS, WKT2, WMB0, WMT4
	31110-Z4M-900	-	1	-	-	1	-	-----	LHN4/A, RXU/A, SX9/A, VHH4/A, VX2/A
			-	1	-	-	1	-	-----	4373074 HH26/A, HX2/A, HX4/A, LX2/A, LX4/A, LXM2/A, PXU/A, QA2/A, QBM2/A, QC9/A, QCM/A, QH26/A, QHG4/A, QHQ4/A, QMC8/A, QME4/A, QMX2/A, QWA4/A, QWX2/A, QX2/A, QX4/A, QX9/A, QXU/A, RH2/A, RHG4/A, RHQ4/A, RX4/A, S1CY/A, SCM/A, SD16/A, SG24/A, SHCC/A, SHQ4/A, SHRY/A, SMC7/A, SMW2/A, SMX4/A, SMXE/A, SSS2/A, SWX2/A, SX4/A, SXS4/A, SXU/A, TX2/A, TX4/A, TXDU/A, UXU/A, VA2/A, VCG/A, VES6/A, VG25/A, VSD9/A, VWS1/A, VWWN/A, VXU1/A, WKS/A, WKT2/A, WMB0/A, WMT4/A
	31110-Z4M-950	FLYWHEEL COMP.(YUXIN)	-	1	-	-	1	-	4373075 -----	HH26/A, HX2/A, HX4/A, LX2/A, LX4/A, LXM2/A, PXU/A, QA2/A, QBM2/A, QC9/A, QCM/A, QH26/A, QHG4/A, QHQ4/A, QMC8/A, QME4/A, QMX2/A, QWA4/A, QWX2/A, QX2/A, QX4/A, QX9/A, QXU/A, RH2/A, RHG4/A, RHQ4/A, RX4/A, S1CY/A, SCM/A, SD16/A, SG24/A, SHCC/A, SHQ4/A, SHRY/A, SMC7/A, SMW2/A, SMX4/A, SMXE/A, SSS2/A, SWX2/A, SX4/A, SXS4/A, SXU/A, TX2/A, TX4/A, TXDU/A, UXU/A, VA2/A, VCG/A, VES6/A, VG25/A, VSD9/A, VWS1/A, VWWN/A, VXU1/A, WKS/A, WKT2/A, WMB0/A, WMT4/A
			-	-	1	-	-	1	-----	HH26, HX2, HX4, LX2, LX4, LXM2, PXU, QA2, QBM2, QC9, QCM, QH26, QHG4, QHQ4, QMC8, QME4, QMX2, QWA4, QX2, QX4, QX9, QXU, RH2, RHG4, RHQ4, RX4, S1CY, SCM, SD16, SG24, SHCC, SHQ4, SHRY, SMC7, SMW2, SMX4, SMXE, SSS2, SWX2, SX4, SXS4, SXU, TX2, TX4, TXDU, UXU, VA2, VES6, VG25, VSD9, VWS1, VWWN, WKS, WKT2, WMB0, WMT4
6	31100-ZE1-811	FLYWHEEL COMP.(LAMP)	1	-	-	-	-	-	-----	QMC6, QMD6, QXS2, SMC9
	31110-Z4M-810	-	1	-	-	1	-	-----	EMAN, LXM2, QMC6, QMD6, QXS2, SMC9
	31110-Z4M-910	-	1	-	-	1	-	-----	EMAN/A, QMC6/A, QMD6/A, QXS2/A, SMC9/A
			-	-	1	-	-	-	-----	QMC6, QMD6
			-	-	-	-	1	-	-----	EMAN
7	31100-ZE1-821	FLYWHEEL COMP.(STARTER MOTOR)	1	-	-	1	-	-	-----	HXE8, QKA4, QXE2, QXE4, QXE8, QXP2, QXW, RXE2, RXP2, SWG4, SXE4
	31110-ZL0-U52	FLYWHEEL COMP.(SEL-7A)	1	-	-	-	-	-	-----	QXE5, QXWE, SXE5
	31110-ZL0-821	FLYWHEEL COMP.(START)	1	-	-	-	-	-	-----	VXE9
	31110-Z4M-820	FLYWHEEL COMP.(SELF STARTER) ..	-	1	-	-	1	-	-----	HXE8, QXE2, QXE8, RXE2, SWG4, VXE9
	31110-Z4M-920	-	1	-	-	1	-	-----	HXE8/A, QXE2/A, RXE2/A, SWG4/A, VXE9/A
			-	-	1	-	-	-	-----	HXE8, QXE2, RXE2, VXE9
8	31100-ZH8-W03	FLYWHEEL COMP.(4POLE-3MAGNET)	1	-	-	-	-	-	-----	QAX2, QAX4, QGR9
9	90201-Z0T-800	NUT, SPECIAL, 14MM	1	1	1	1	1	1		



E-19

FLYWHEEL

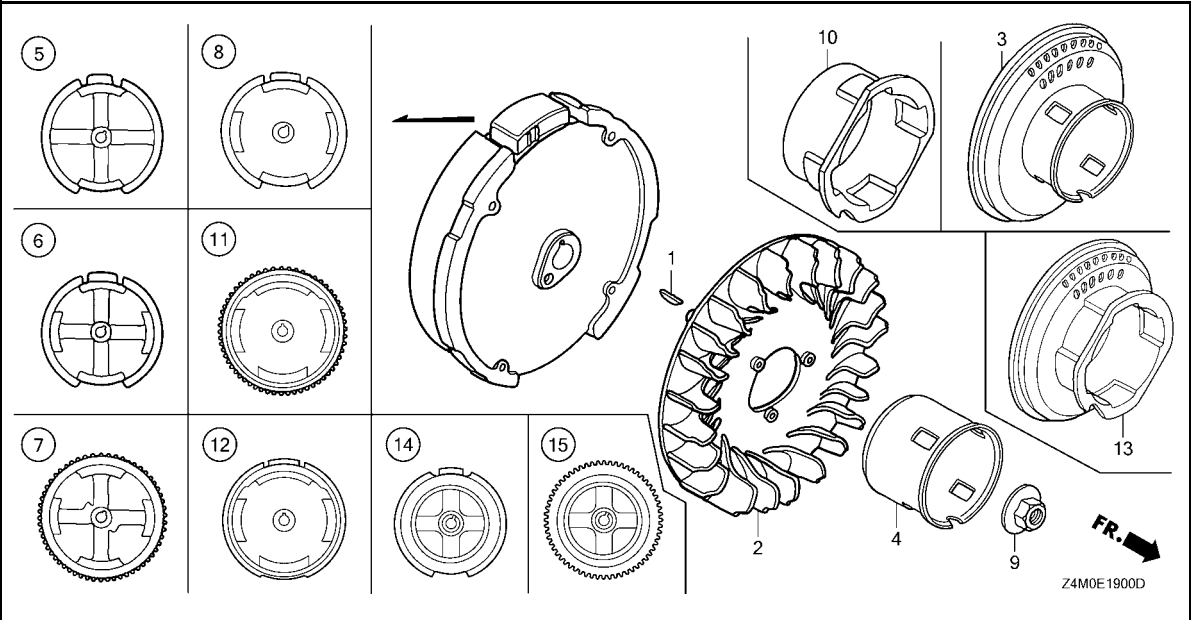


Ref. No.	Part No.	Description	Reqd. QTY						Serial No.	Parts catalogue code
			GX UT1	GX UT2	GX UT2X	GX RT1	GX RT2	GX RT2X		
10	28451-Z4M-003	PULLEY, STARTER.....	-	1	-	-	1	-	EMAN/A, HH26/A, HX2/A, HX4/A, HXE8/A, LHN4/A, LX2/A, LX4/A, LX4/A, LXM2/A, PXU/A, QAX4/A, QC9, QC9/A, QCM, QCM/A, QGR9/A, QH26/A, QHG4/A, QHQ4/A, QMC6/A, QME4/A, QMX2/A, QWX2/A, QX2/A, QX4/A, QX9/A, QXE2/A, QXE5/A, QXEB, QXGB, QXS2/A, QXU/A, QXWE/A, RH2/A, RHG4/A, RHQ4/A, RX4/A, RXE2/A, RXU/A, S1CY/A, SCM, SCM/A, SD16/A, SHCC, SHCC/A, SHQ4/A, SMW2/A, SMX4/A, SMXE/A, SSSX2/A, SWG4/A, SWX2/A, SX4/A, SX9/A, SXE5/A, SXS4/A, SXU/A, TX2/A, TX4/A, TXDU/A, UXU/A, VA2/A, VCG, VCG/A, VES6/A, VG25, VG25/A, VHH4/A, VSD9/A, VWS1, VWS1/A, VWWN/A, VX2/A, VXE9/A, VXU1/A, WKS/A, WKT2/A, WMB0/A, WMT4/A	
			-	1	-	-	1	-	2530951	EMAN, HH26, HX2, HX4, HXE8, LHN4, LX2, LX4, LXM2, PXU, QAX2, QAX4, QGR9, QH26, QHG4, QHQ4, QMC6, QME4, QMP4, QMX2, QMXC, QPU, QWX2, QX2, QX4, QX9, QXC9, QXE2, QXE5, QXM2, QXS2, QXU, QXWE, RH2, RHG4, RHQ4, RX4, RXE2, RXU, S1CY, SD16, SHQ4, SMW2, SMX4, SMXC, SMXE, SSSX2, SWG4, SWX2, SX4, SX9, SXE5, SXS4, SXU, TX2, TX4, TXDU, UXU, VA2, VES6, VHH4, VPM5, VS19, VSD9, VWWN, VX2, VXE9, VXU1, WKS, WKT2, WMB0, WMT4
			-	1	-	-	-	-	2549164	VG29
			-	-	1	-	-	-		HH26, HX2, HX4, HXE8, LX2, LX4, LXM2, PXU, QAX4, QC9, QCM, QGR9, QH26, QHQ4, QMC6, QME4, QMX2, QX2, QX4, QX9, QXE2, QXE5, QXEB, QXGB, QXU, QXWE, RH2, RHQ4, RX4, RXE2, S1CY, SCM, SD16, SHCC, SHQ4, SMW2, SMX4, SMXE, SSSX2, SWX2, SX4, SXE5, SXS4, SXU, TX2, TX4, TXDU, UXU, VA2, VG25, VSD9, VXE9, WKS, WKT2, WMB0, WMT4
	28451-ZH8-003	-	-	-	1	-	-		SWG4
	28451-Z4M-003	-	-	-	-	-	1		
11	31110-Z4M-830	FLYWHEEL COMP. (SELF STARTER-7A)	-	1	-	-	-	-		QXE5, QXWE, SXE5



E-19

FLYWHEEL

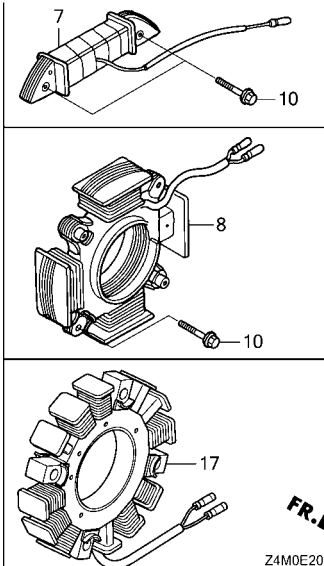
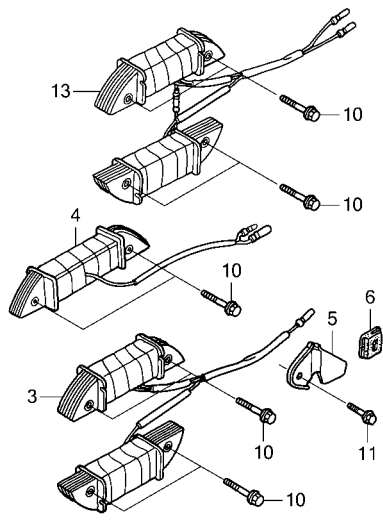
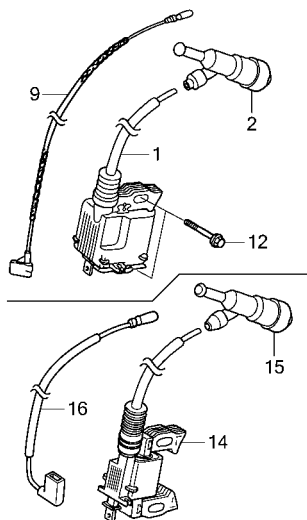


Ref. No.	Part No.	Description	Reqd. QTY						Serial No.	Parts catalogue code
			GX 160 UT1	GX 160 UT2	GX 160 UT2X	GX 160 RT1	GX 160 RT2	GX 160 RT2X		
11)	31110-Z4M-930	FLYWHEEL COMP. (SELF STARTER-7A)	-	1	-	-	-	-	-----	QXE5/A, QXWE/A, SXE5/A
12	31110-Z4M-840	FLYWHEEL COMP.(4POLE-3MAGNET)	-	1	-	-	-	-	-----	QXE5, QXWE, SXE5
	31110-Z4M-940	-	1	-	-	-	-	-----	QAX2, QAX4, QGR9
		-	1	-	-	-	-	-----	QAX4/A, QGR9/A
13	28450-Z4M-003	PULLEY COMP., STARTER	-	1	-	-	-	-	-----	QAX4, QGR9
		-	1	-	-	-	-	-----	QA2/A, QBM2/A, QMC8/A, QMD6/A, QWA4/A, SG24/A, SHRY/A
		-	1	-	-	-	-	-----	SMC7/A, SMC9/A
		-	1	-	-	-	2546986	-----	QA2, QBM2, QMC8, QMD6, QWA4, SG24, SHRY, SMC7, SMC9
14	31110-Z4M-871	FLYWHEEL COMP.	-	1	1	-	-	-	-----	QA2, QBM2, QMC8, QMD6, QWA4, SG24, SHRY, SMC7
15	31110-Z4M-881	FLYWHEEL COMP.	-	1	1	-	-	-	-----	QXGB
		-	1	1	-	-	-	-----	QXEB



E-20

IGNITION COIL



Ref. No.	L.O.N.	(Relative ref. Number) Description	F.R.T.
1	(14)		
6141A5		COIL, IGNITION(ONE)	0.2
2	(15)		
6141B8		TERMINAL, HIGH TENSION	0.1
3	6141A6	COIL, LAMP	0.3
7	(4,8,13,17)		
6131C3		COIL, CHARGE	0.3
9	(16)		
6111B3		CORD, STOP SWITCH	0.3

Ref. No.	Part No.	Description	Reqd. QTY						Serial No.	Parts catalogue code
			GX 160 UT1	GX 160 UT2	GX 160 UT2X	GX 160 RT1	GX 160 RT2	GX 160 RT2X		
1	30500-Z0T-802	COIL ASSY., IGNITION(TEC).....	1	-	-	1	-	-	-----	HH26, HHQ4, HX2, HX4, HXE8, HXU, QAX2, QAX4, QBM2, QHG4, QHQ4, QKA4, QNT4, QXC4, QXC9, QXE4, QXE5, QXE8, QXP2, QXW, QXWE, RH2, RHG4, RHQ4, RTB2, RX4, RXE2, RXP2, RXU, SG22, SHQU, SSX2, SWG4, SX2, SXE4, SXE5, SXS, SXS2, TXC9, TXDU, UXU, VG29, VGE2, VPMM, VSD2, VVWN, WMB0
	30500-Z0T-801	COIL ASSY., IGNITION.....	1	-	-	-	-	-	-----	1584276 LHQ4, LX2, LX26, LX4, LXU, PXU, QA2, QA26, QBC2, QBT6, QCB2, QCL, QGR9, QH26, QHQ4, QMC6, QMC8, QMD6, QME4, QMP4, QM22, QNT, QPU, QW24, QWA4, QWW2, QWX2, QX2, QX26, QX4, QX7, QX9, QXE2, QXF2, QXS2, QXU, SD16, SG24, SHQ4, SMC7, SMC9, SWX2, SX4, SX7, SX9, SXS4, SXU, TCS2, TW24, TX2, TX26, TX4, TXU, VA2, VG24, VGE4, VGE5, VHA9, VHH4, VMS4, VPM4, VPM5, VPM8, VPM9, VPR4, VPR9, VS17, VS19, VSD, VSD1, VSD7, VSD9, VWA2, VWW2, VX2, VX4, VXE9, VXU1, VXW2, WKS, WKT2, WKT4, WKT6

E-20

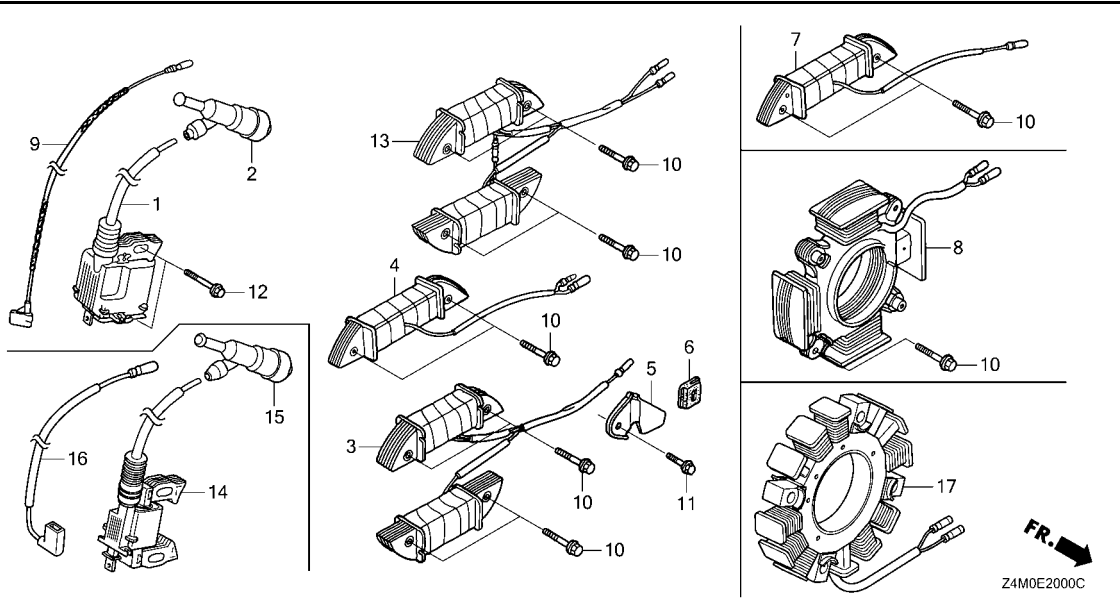
IGNITION COIL

Ref. No.	Part No.	Description	Reqd. QTY						Serial No.	Parts catalogue code
			GX 160 UT1	GX 160 UT2	GX 160 UT2X	GX 160 RT1	GX 160 RT2	GX 160 RT2X		
(1)	30500-Z0T-802	COIL ASSY., IGNITION(TEC).....	1	-	-	-	-	-	1584277	----- LHQ4, LX2, LX26, LX4, LXU, PXU, QA2, QA26, QBC2, QBT6, QCB2, QCL QGR9, QH26, QHQ4, QMC6, QMC8, QMD6, QME4, QMP4, QMZ2, QNT, QPU QW24, QWA4, QWW2, QWX2, QX2, QX26, QX4, QX7, QX9, QXE2, QXF2 QXS2, QXU, SD16, SG24, SHQ4, SMC7, SMC9, SWX2, SX4, SX7, SX9 SXS4, SXU, TCS2, TW24, TX2, TX26, TX4, TXU, VA2, VG24, VGE4 VGE5, VHA9, VHH4, VMS4, VPM4, VPM5, VPM8, VPM9, VPR4, VPR9 VS17, VS19, VSD, VSD1, VSD7, VSD9, VWA2, VWW2, VX2, VX4, VXE9 VXU1, VXW2, WKS, WKT2, WKT4, WKT6
			-	1	-	-	-	-	-----	HHQ4, LHQ4, QBC2, QXE8, TXC9
			-	1	-	-	-	-	2185899	----- HH26, HX2, HX4, HXE8, LHN4, QAX2, QAX4, QMX2, QMXC, QXC9, QXE5 QXWE, RH2, RHQ4, RX4, RXE2, RXU, S1CY, SHRY, SMW2, SSS2, SXE5 UXU, VG29, WMB0, WMT4
			-	1	-	-	-	-	2186079	----- LX2, LX4, LXM2, PXU, QA2, QBM2, QGR9, QH26, QHQ4, QMC6, QMC8 QMD6, QME4, QMP4, QPU, QWA4, QWX2, QX2, QX4, QX9, QXE2, QXM2 QXS2, QXU, SD16, SG24, SHQ4, SMC7, SMC9, SMX4, SMXE, SWX2, SX4 SX9, SXS4, SXU, TX2, TX4, TXDU, VA2, VSD9, VX2, VXE9, VXU1, WKS WKT2
			-	-	-	-	1	-	-----	VGE4, VGE5
			-	-	-	-	1	-	2187405	----- EMAN, QHG4, RHG4, SWG4, VES6, VHH4, VPM5, VS19, VWS, VWWN
2	30700-Z0T-811	CAP ASSY., NOISE SUPPRESSOR (NGK)	1	-	-	1	1	-	-----	EMAN, HH26, HHQ4, HX2, HX4, HXE8, HXU, LHQ4, LX2, LX26, LX4, LXU PXU, QA2, QA26, QAX2, QAX4, QBC2, QBM2, QBT6, QCB2, QCL, QGR9 QH26, QHG4, QHQ4, QHQU, QKA4, QMC6, QMC8, QMD6, QME4, QMP4 QMZ2, QNT, QNT4, QPU, QW24, QWA4, QWW2, QWX2, QX2, QX26, QX4 QX7, QX9, QXC4, QXC9, QXE2, QXE4, QXE5, QXE8, QXF2, QXP2, QXS2 QXU, QXW, QXWE, RH2, RHG4, RHQ4, RTB2, RX4, RXE2, RXP2, RXU SD16, SG22, SG24, SHQ4, SHQU, SMC7, SMC9, SSX2, SWG4, SWX2, SX2 SX4, SX7, SX9, SXE4, SXE5, SXS, SXS2, SXS4, SXU, TCS2, TW24, TX2 TX26, TX4, TXC9, TXDU, TXU, UXU, VA2, VES6, VG24, VG29, VHA9 VHH4, VMS4, VSD, VSD2, VSD7, VSD9, VWA2, VWS, VWW2, VWWN, VX2 VX4, VXE9, VXU1, VXW2, WKS, WKT2, WKT4, WKT6, WMB0
	30700-ZF5-013	CAP ASSY., NOISE SUPPRESSOR..	1	-	-	-	1	-	-----	VGE2, VGE4, VGE5, VPM4, VPM5, VPM8, VPM9, VPMN, VPR4, VPR9 VS17, VS19, VSD1
	30700-Z0T-811	CAP ASSY., NOISE SUPPRESSOR (NGK)	-	1	-	-	-	-	-----	HHQ4, LHQ4, QBC2, QXE8, TXC9
			-	1	-	-	-	-	2185899	----- HH26, HX2, HX4, HXE8, LHN4, QAX2, QAX4, QMX2, QXC9, QXE5, QXWE RH2, RHQ4, RX4, RXE2, RXU, S1CY, SHRY, SMW2, SSS2, SXE5, UXU VG29, WMB0, WMT4
	30700-Z0T-812	-	1	-	-	-	-	2185899	----- QMXC
	30700-Z0T-811	-	1	-	-	-	-	2186079	----- LX2, LX4, LXM2, PXU, QA2, QBM2, QGR9, QH26, QHQ4, QMC6, QMC8 QMD6, QME4, QMP4, QPU, QWA4, QWX2, QX2, QX4, QX9, QXE2, QXM2 QXS2, QXU, SD16, SG24, SHQ4, SMC7, SMC9, SMX4, SMXE, SWX2, SX4 SX9, SXS4, SXU, TX2, TX4, TXDU, VA2, VSD9, VX2, VXE9, VXU1, WKS WKT2
									-----	QMC6, QMC6/A, QMD6, QMD6/A, QXS2, QXS2/A
3	31510-ZE1-711	COIL ASSY., LAMP(12V/50W).....	1	1	1	-	-	-	-----	EMAN, EMAN/A, SMC9, SMC9/A
4	31510-ZE1-811	COIL ASSY., LAMP(12V/25W).....	1	1	-	-	1	1	-----	EMAN, EMAN/A, HXE8, HXE8/A, QAX2, QAX4, QAX4/A, QGR9, QGR9/A QKA4, QMC6, QMC6/A, QMD6, QMD6/A, QXE2, QXE2/A, QXE4, QXE5 QXE5/A, QXE8, QXEB, QXGB, QXP2, QXS2, QXS2/A, QXW, QXWE QXWE/A, RXE2, RXE2/A, RXP2, SMC9, SMC9/A, SXE4, SXE5, SXE5/A VXE9, VXE9/A
5	31511-ZE1-000	CLAMPER, CORD.....	1	1	1	-	1	1	-----	EMAN, EMAN/A, HXE8, HXE8/A, QAX2, QAX4, QAX4/A, QGR9, QGR9/A QKA4, QMC6, QMC6/A, QMD6, QMD6/A, QXE2, QXE2/A, QXE4, QXE5 QXE5/A, QXE8, QXEB, QXGB, QXP2, QXS2, QXS2/A, QXW, QXWE QXWE/A, RXE2, RXE2/A, RXP2, SMC9, SMC9/A, SWG4, SWG4/A, SXE4 SXE5, SXE5/A, VXE9, VXE9/A
6	31512-ZE1-000	GROMMET, CORD.....	1	1	1	1	1	1	-----	EMAN, EMAN/A, HXE8, HXE8/A, QAX2, QAX4, QAX4/A, QGR9, QGR9/A QKA4, QMC6, QMC6/A, QMD6, QMD6/A, QXE2, QXE2/A, QXE4, QXE5 QXE5/A, QXE8, QXEB, QXGB, QXP2, QXS2, QXS2/A, QXW, QXWE QXWE/A, RXE2, RXE2/A, RXP2, SMC9, SMC9/A, SWG4, SWG4/A, SXE4 SXE5, SXE5/A, VXE9, VXE9/A



E-20

IGNITION COIL



Ref. No.	Part No.	Description	Reqd. QTY						Serial No.	Parts catalogue code
			GX 160 UT1	GX 160 UT2	GX 160 UT2X	GX 160 RT1	GX 160 RT2	GX 160 RT2X		
7	31630-ZE1-013	COIL ASSY., CHARGE(1A).....	1	1	1	-	-	-	HXE8, HXE8/A, QKA4, QXE2, QXE2/A, QXE4, QXE8, QXP2, RXE2, RXE2/A, RXP2, SXE4, VXE9, VXE9/A	
8	31630-ZH8-W01	COIL ASSY., CHARGE(12V-7A)...	1	-	-	-	-	-	QAX2, QAX4, QGR9, QXE5, QXWE, SXE5	
	31630-Z4M-003	COIL ASSY., CHARGE(12V/7A)...	-	1	1	-	-	-	QAX4, QAX4/A, QGR9, QGR9/A, QXE5, QXE5/A, QXWE, QXWE/A, SXE5, SXE5/A	
	31630-ZH8-W01	COIL ASSY., CHARGE(12V-7A)...	-	1	-	-	-	-	QAX2	
9	36101-ZB2-010	CORD, STOP SWITCH(395MM).....	1	1	-	1	1	-	HXE8, HXE8/A, QKA4, QXE2, QXE2/A, QXE4, QXE5, QXE5/A, QXE8, QXEB, QXP2, QXW, QXWE, QXWE/A, RXE2, RXE2/A, RXP2, SWG4, SWG4/A, SXE4, SXE5, SXE5/A, VES6, VES6/A, VWS, VXE9, VXE9/A	
	36101-ZE1-010	CORD, STOP SWITCH(370MM).....	1	-	-	1	-	-	HH26, HHQ4, HX2, HX4, HXU, LHQ4, LX2, LX26, LX4, LXU, PXU, QA2, QA26, QAX2, QAX4, QBC2, QBM2, QBT6, QCB2, QCL, QGR9, QH26, QHG4, QHQ4, QHQU, QMC6, QMC8, QMD6, QME4, QMP4, QM22, QNT, QNT4, QPU, QW24, QWA4, QWW2, QWX2, QX2, QX26, QX4, QX7, QX9, QXC4, QXC9, QXF2, QXS2, QXU, RH2, RHG4, RHQ4, RTB2, RX4, RXU, SD16, SG22, SG24, SHQ4, SHQU, SMC7, SMC9, SSX2, SWX2, SX2, SX4, SX7, SX9, SXS, SXS2, SXS4, SXU, TCS2, TW24, TX2, TX26, TX4, TXC9, TXDU, TXU, U XU, VA2, VG24, VG29, VGE2, VGE4, VGE5, VHA9, VHH4, VMS4, VPM4, VPM5, VPM8, VPM9, VPMN, VPR4, VPR9, VS17, VS19, VSD, VSD1, VSD2, VSD7, VSD9, VWA2, VWW2, VWWN, VX2, VX4, VXU1, VXW2, WKS, WKT2, WKT4, WKT6, WMB0	
			-	1	-	-	-	-	HHQ4, LHQ4, QBC2, TXC9	
			-	1	-	-	-	2204187	HH26, HX2, HX4, LHN4, LX2, LX4, LXM2, PXU, QA2, QAX2, QAX4, QBM2, QGR9, QH26, QHQ4, QMC6, QMC8, QMD6, QME4, QMP4, QMX2, QMXC, QPU, QWA4, QWX2, QX2, QX4, QX9, QXC9, QXM2, QXS2, QXU, RH2, RHQ4, RX4, RXU, S1CY, SD16, SG24, SHQ4, SHRY, SMC7, SMC9, SMM2, SMX4, SMXE, SSX2, SWX2, SX4, SX9, SXS4, SXU, TX2, TX4, TXDU, U XU, VA2, VG29, VSD9, VX2, VXU1, WKS, WKT2, WMB0, WMT4	
			-	-	-	-	1	-	VGE4, VGE5	
			-	-	-	-	1	2187405	EMAN, QHG4, RHG4, VHH4, VPM5, VS19, VWWN	



E-20

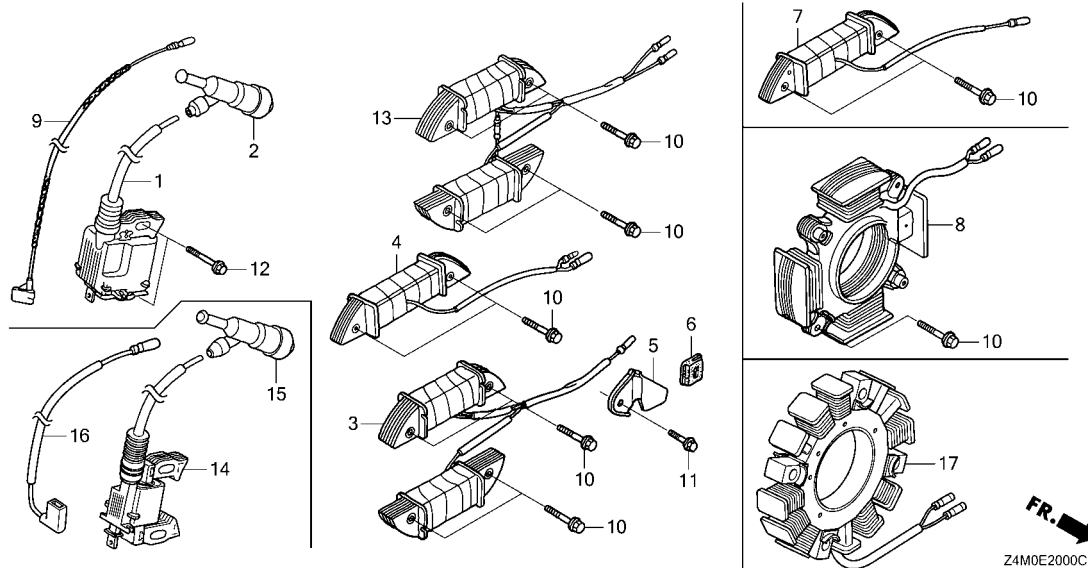
IGNITION COIL

Ref. No.	Part No.	Description	Reqd. QTY						Serial No.	Parts catalogue code
			GX 160 UT1	GX 160 UT2	GX 160 UT2X	GX 160 RT1	GX 160 RT2	GX 160 RT2X		
10	90015-883-000	BOLT, FLANGE, 6X28(CT200).....	2	-	-	-	-	-	HXE8, QKA4, QXE2, QXE4, QXE8, QXP2, RXE2, RXP2, SMC9, SXE4, VXE9	
			4	-	-	-	-	-	QAX2, QAX4, QGR9, QMC6, QMD6, QXE5, QXS2, QXW, QXWE, SXE5	
			-	2	2	-	-	-	HXE8, HXE8/A, QXE2, QXE2/A, QXE8, QXEB, QXGB, RXE2, RXE2/A, SMC9, SMC9/A, VXE9, VXE9/A	
			-	4	4	-	-	-	QAX2, QAX4, QAX4/A, QGR9, QGR9/A, QMC6, QMC6/A, QMD6, QMD6/A, QXE5, QXE5/A, QXS2, QXS2/A, QXWE, QXWE/A, SXE5, SXE5/A	
			-	-	-	-	2	2	EMAN, EMAN/A	
11	90019-883-000	BOLT, FLANGE, 5X10(CT200).....	1	1	1	-	1	1	EMAN, EMAN/A, HXE8, HXE8/A, QAX2, QAX4, QAX4/A, QGR9, QGR9/A, QKA4, QMC6, QMC6/A, QMD6, QMD6/A, QXE2, QXE2/A, QXE4, QXE5, QXE5/A, QXE8, QXEB, QXGB, QXP2, QXS2, QXS2/A, QXW, QXWE, QXWE/A, RXE2, RXE2/A, RXP2, SMC9, SMC9/A, SXE4, SXE5, SXE5/A, VXE9, VXE9/A	
12	90121-952-000	BOLT, FLANGE, 6X25(CT200).....	2	2	2	2	2	2		
13	31630-ZF1-801	COIL ASSY., CHARGE(2.8A).....	1	-	-	-	-	-	QXW	
14	30500-Z0T-003	COIL ASSY., IGNITION(TEC).....	-	1	-	-	1	-	EMAN/A, HH26/A, HX2/A, HX4/A, HXE8/A, LHN4/A, LX2/A, LX4/A, LXM2/A, PXU/A, QA2/A, QAX4/A, QBM2/A, QC9, QC9/A, QCM, QCM/A, QGR9/A, QH26/A, QHG4/A, QHQ4/A, QMC6/A, QMC8/A, QMD6/A, QME4/A, QMX2/A, QWA4/A, QWX2/A, QX2/A, QX4/A, QX9/A, QXE2/A, QXE5/A, QXEB, QXGB, QXS2/A, QXU/A, QXWE/A, RH2/A, RHG4/A, RHQ4/A, RX4/A, RXE2/A, RXU/A, S1CY/A, SCM, SCM/A, SD16/A, SG24/A, SHCC, SHCC/A, SHQ4/A, SHRY/A, SMC7/A, SMC9/A, SMW2/A, SMX4/A, SMXC, SMXE/A, SSX2/A, SWG4/A, SWX2/A, SX4/A, SX9/A, SXE5/A, SXS4/A, SXU/A, TX2/A, TX4/A, TXDU/A, UXU/A, VA2/A, VCG, VCG/A, VES6/A, VG25, VG25/A, VHH4/A, VSD9/A, VWS1, VWS1/A, VWWN/A, VX2/A, VXE9/A, VXU1/A, WKS/A, WKT2/A, WMB0/A, WMT4/A	
			-	1	-	-	-	2185900	HH26, HX2, HX4, HXE8, LHN4, QAX2, QAX4, QMX2, QMXC, QXC9, QXE5, QXWE, RH2, RHQ4, RX4, RXE2, RXU, S1CY, SHRY, SMW2, SSX2, SXE5, UXU, VG29, WMB0, WMT4	
			-	1	-	-	-	2186080	LX2, LX4, LXM2, PXU, QA2, QBM2, QGR9, QH26, QHQ4, QMC6, QMC8, QMD6, QME4, QMP4, QPU, QWA4, QWX2, QX2, QX4, QX9, QXE2, QXM2, QXS2, QXU, SD16, SG24, SHQ4, SMC7, SMC9, SMX4, SMXE, SWX2, SX4, SX9, SXS4, SXU, TX2, TX4, TXDU, VA2, VSD9, VX2, VXE9, VXU1, WKS, WKT2	
			-	-	1	-	-	1		
			-	-	-	-	1	-	2187406	EMAN, QHG4, RHG4, SWG4, VES6, VHH4, VPM5, VS19, VWS, VWWN



E-20

IGNITION COIL

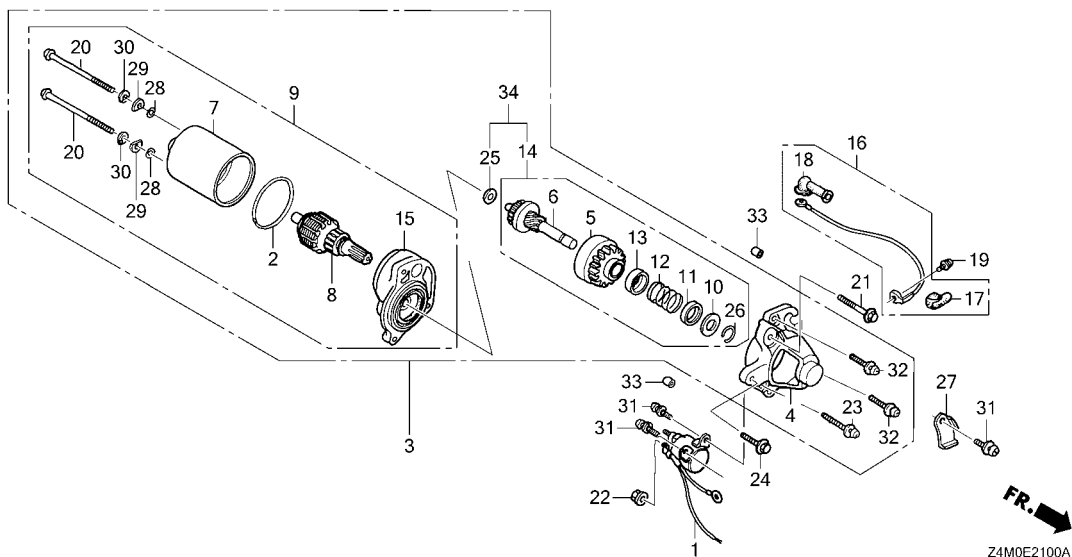


Ref. No.	Part No.	Description	Reqd. QTY								Serial No.	Parts catalogue code	
			GX 160 UT1	GX 160 UT2	GX 160 UT2X	GX 160 RT1	GX 160 RT2	GX 160 RT2X					
16	32195-Z0T-003	CORD, STOP SWITCH(370MM).....	-	1	-	-	-	1	-	-	-----	EMAN/A, HH26/A, HX2/A, HX4/A, LHN4/A, LX2/A, LX4/A, LXM2/A, PXU/A, QA2/A, QAX4/A, QBM2/A, QC9, QC9/A, QCM, QCM/A, QGR9/A, QH26/A, QHG4/A, QHQ4/A, QMC6/A, QMC8/A, QMD6/A, QME4/A, QMX2/A, QWA4/A, QWX2/A, QX2/A, QX4/A, QX9/A, QXGB, QXS2/A, QXU/A, RH2/A, RHG4/A, RHQ4/A, RX4/A, RXU/A, S1CY/A, SCM, SCM/A, SD16/A, SG24/A, SHCC, SHCC/A, SHQ4/A, SHRY/A, SMC7/A, SMC9/A, SMW2/A, SMX4/A, SMXC, SMXE/A, SSSX2/A, SWX2/A, SX4/A, SX9/A, SXS4/A, SXU/A, TX2/A, TX4/A, TXDU/A, UXU/A, VA2/A, VCG, VCG/A, VG25, VG25/A, VHH4/A, VSD9/A, VWS1, VWS1/A, VWWN/A, VX2/A, VXU1/A, WKS/A, WKT2/A, WMB0/A, WMT4/A	
	36101-ZB2-010	CORD, STOP SWITCH(395MM).....	-	-	1	-	-	1	-	-	-----	2204188 -----	HH26, HX2, HX4, LHN4, LX2, LX4, LXM2, PXU, QA2, QAX4, QBM2, QGR9, QH26, QHQ4, QMC6, QMC8, QMD6, QME4, QMP4, QMX2, QMxC, QPU, QWA4, QWX2, QX2, QX4, QX9, QXC9, QXM2, QXS2, QXU, RH2, RHQ4, RX4, RXU, S1CY, SD16, SG24, SHQ4, SHRY, SMC7, SMC9, SMW2, SMX4, SMXE, SSSX2, SWX2, SX4, SX9, SXS4, SXU, TX2, TX4, TXDU, UXU, VA2, VG29, VSD9, VX2, VXU1, WKS, WKT2, WMB0, WMT4
	32195-Z0T-003	CORD, STOP SWITCH(370MM).....	-	-	1	-	-	-	-	-	-----	-----	HXE8, QXE2, QXE5, QXEB, QXWE, RXE2, SXE5, VES6, VXE9, HH26, HX2, HX4, LX2, LX4, LXM2, PXU, QA2, QAX4, QBM2, QC9, QCM, QGR9, QH26, QHQ4, QMC6, QMC8, QMD6, QME4, QMX2, QWA4, QX2, QX4, QX9, QXGB, QXU, RH2, RHQ4, RX4, S1CY, SCM, SD16, SG24, SHCC, SHQ4, SHRY, SMC7, SMW2, SMX4, SMXE, SSSX2, SWX2, SX4, SXS4, SXU, TX2, TX4, TXDU, UXU, VA2, VG25, VSD9, WKS, WKT2, WMB0, WMT4
			-	-	-	-	-	1	-	-	-----	2187406 -----	EMAN, QHG4, RHG4, VHH4, VPM5, VS19, VWWN
17	31630-Z4M-801	COIL ASSY., CHARGE(18A).....	-	1	1	-	-	-	-	-	-----	-----	EMAN, QHG4, RHG4, VWS1, VWWN, QXEB, QXGB



E-21

STARTER MOTOR(1)



Ref. No.	L.O.N.	(Relative ref. Number) Description	F.R.T.
1	6121C9	SWITCH, STARTER MAGNETIC	0.2
3	6121D5	MOTOR, STARTER	0.2
4	6121B1	COVER, GEAR	0.3
6		(5,10,11,12,13,26)	
	6121E4	SHAFT SET, STARTER GEAR	0.4
7	6121D1	YOKE, STARTER	0.4
8	6121A0	ARMATURE, STARTER	0.4
9	6121B8	MOTOR ONLY	0.3
14		(34)	
	6121B0	CLUTCH, OVERRUNNING	0.4
15	6121D2	BRACKET, STARTER :FRONT	0.4

Ref. No.	Part No.	Description	Reqd. QTY						Serial No.	Parts catalogue code
			GX 160 UT1	GX 160 UT2	GX 160 UT2X	GX 160 RT1	GX 160 RT2	GX 160 RT2X		
1	31204-ZE1-013	SWITCH COMP., STARTING MAGNET	1	-	-	1	1	-	HXE8, QKA4, QXE4, QXE5, QXE8, QXW, QXWE, RXE2, SWG4, SWG4/A, SXE4, SXE5	
	31204-ZE1-003	1	-	-	-	-	-	QXE2, VXE9	
	31204-ZE1-013	-	1	1	-	-	-	HXE8, HXE8/A, QXE2, QXE2/A, QXE5, QXE5/A, QXE8, QXEB, QXWE, QXWE/A, RXE2, RXE2/A, SXE5, SXE5/A, VXE9, VXE9/A	
2	31206-KN7-670	O-RING	1	-	-	1	-	-	HXE8, QKA4, QXE2, QXE4, QXE5, QXE8, QXW, QXWE, RXE2, SWG4, SXE4, SXE5, VXE9	
	31206-Z4M-003	-	1	1	-	1	-	HXE8, HXE8/A, QXE2, QXE2/A, QXE5, QXE5/A, QXE8, QXEB, QXWE, QXWE/A, RXE2, RXE2/A, SWG4, SWG4/A, SXE5, SXE5/A, VXE9, VXE9/A	
3	31210-ZE1-023	MOTOR UNIT, STARTER(SM-11203) (162MM)	1	-	-	1	-	-	HXE8, QKA4, QXE2, QXE4, QXE5, QXE8, QXW, QXWE, RXE2, SWG4, SXE4, SXE5, VXE9	
	31210-Z4M-003	MOTOR UNIT, STARTER.....	-	1	1	-	1	-	HXE8, HXE8/A, QXE2, QXE2/A, QXE5, QXE5/A, QXE8, QXEB, QXWE, QXWE/A, RXE2, RXE2/A, SWG4, SWG4/A, SXE5, SXE5/A, VXE9, VXE9/A	
4	31212-ZE1-003	COVER COMP., GEAR.....	1	-	-	1	-	-	HXE8, QKA4, QXE2, QXE4, QXE5, QXE8, QXW, QXWE, RXE2, SWG4, SXE4, SXE5, VXE9	
	31212-Z4M-003	-	1	1	-	1	-	HXE8, HXE8/A, QXE2, QXE2/A, QXE5, QXE5/A, QXE8, QXEB, QXWE, QXWE/A, RXE2, RXE2/A, SWG4, SWG4/A, SXE5, SXE5/A, VXE9, VXE9/A	
5	31214-ZE1-003	PINION ASSY.....	1	-	-	1	-	-	HXE8, QKA4, QXE2, QXE4, QXE5, QXE8, QXW, QXWE, RXE2, SWG4, SXE4, SXE5, VXE9	
	31214-Z4M-003	-	1	1	-	1	-	HXE8, HXE8/A, QXE2, QXE2/A, QXE5, QXE5/A, QXE8, QXEB, QXWE, QXWE/A, RXE2, RXE2/A, SWG4, SWG4/A, SXE5, SXE5/A, VXE9, VXE9/A	
6	31215-ZE1-003	SHAFT UNIT, GEAR.....	1	-	-	1	-	-	HXE8, QKA4, QXE2, QXE4, QXE5, QXE8, QXW, QXWE, RXE2, SWG4, SXE4, SXE5, VXE9	

E-21

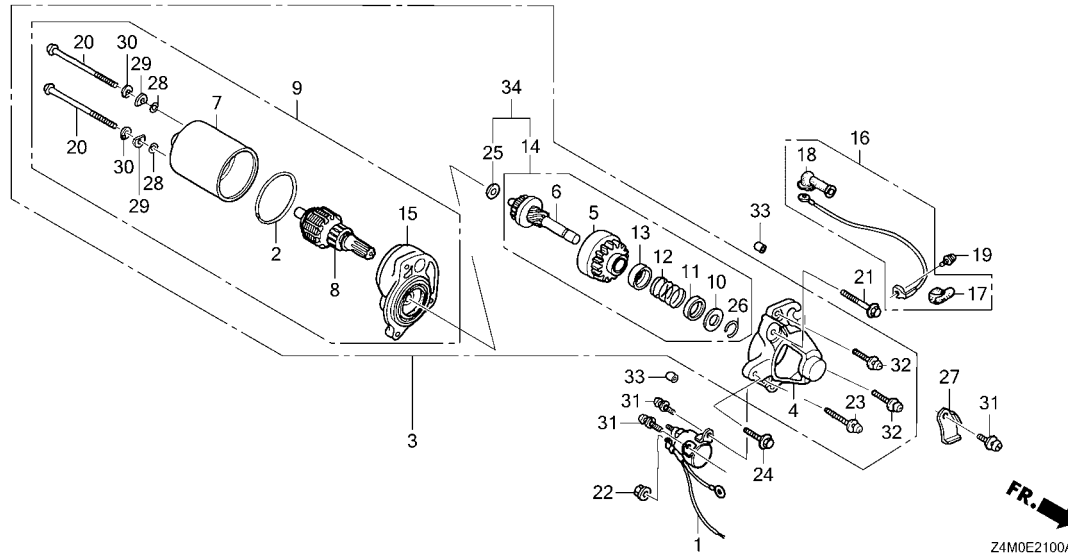
STARTER MOTOR(1)

Ref. No.	Part No.	Description	Reqd. QTY						Serial No.	Parts catalogue code
			GX 160 UT1	GX 160 UT2	GX 160 UT2X	GX 160 RT1	GX 160 RT2	GX 160 RT2X		
(6)	31215-Z4M-003	SHAFT UNIT, GEAR.....	-	1	1	-	1	-	HXE8, HXE8/A, QXE2, QXE2/A, QXE5, QXE5/A, QXE8, QXEB, QXWE QXWE/A, RXE2, RXE2/A, SWG4, SWG4/A, SXE5, SXE5/A, VXE9 VXE9/A	
7	31216-ZE1-003	YOKE ASSY.	1	-	-	1	-	-	HXE8, QKA4, QXE2, QXE4, QXE5, QXE8, QXW, QXWE, RXE2, SWG4, SXE4 SXE5, VXE9	
	31216-Z4M-003	-	1	1	-	1	-	HXE8, HXE8/A, QXE2, QXE2/A, QXE5, QXE5/A, QXE8, QXEB, QXWE QXWE/A, RXE2, RXE2/A, SWG4, SWG4/A, SXE5, SXE5/A, VXE9 VXE9/A	
8	31217-ZE1-013	ROTOR ASSY.	1	-	-	1	-	-	HXE8, QKA4, QXE2, QXE4, QXE5, QXE8, QXW, QXWE, RXE2, SWG4, SXE4 SXE5, VXE9	
	31217-Z4M-003	-	1	1	-	1	-	HXE8, HXE8/A, QXE2, QXE2/A, QXE5, QXE5/A, QXE8, QXEB, QXWE QXWE/A, RXE2, RXE2/A, SWG4, SWG4/A, SXE5, SXE5/A, VXE9 VXE9/A	
9	31220-ZE1-013	MOTOR ONLY.....	1	-	-	1	-	-	HXE8, QKA4, QXE2, QXE4, QXE5, QXE8, QXW, QXWE, RXE2, SWG4, SXE4 SXE5, VXE9	
	31220-Z4M-003	-	1	1	-	1	-	HXE8, HXE8/A, QXE2, QXE2/A, QXE5, QXE5/A, QXE8, QXEB, QXWE QXWE/A, RXE2, RXE2/A, SWG4, SWG4/A, SXE5, SXE5/A, VXE9 VXE9/A	
10	31221-ZE1-003	PIECE A, STOPPER.....	1	-	-	1	-	-	HXE8, QKA4, QXE2, QXE4, QXE5, QXE8, QXW, QXWE, RXE2, SWG4, SXE4 SXE5, VXE9	
	31221-Z4M-003	-	1	1	-	1	-	HXE8, HXE8/A, QXE2, QXE2/A, QXE5, QXE5/A, QXE8, QXEB, QXWE QXWE/A, RXE2, RXE2/A, SWG4, SWG4/A, SXE5, SXE5/A, VXE9 VXE9/A	
11	31222-ZE1-003	PIECE B, STOPPER.....	1	-	-	1	-	-	HXE8, QKA4, QXE2, QXE4, QXE5, QXE8, QXW, QXWE, RXE2, SWG4, SXE4 SXE5, VXE9	
	31222-Z4M-003	-	1	1	-	1	-	HXE8, HXE8/A, QXE2, QXE2/A, QXE5, QXE5/A, QXE8, QXEB, QXWE QXWE/A, RXE2, RXE2/A, SWG4, SWG4/A, SXE5, SXE5/A, VXE9 VXE9/A	
12	31223-ZE1-003	SPRING, RETURN.....	1	-	-	1	-	-	HXE8, QKA4, QXE2, QXE4, QXE5, QXE8, QXW, QXWE, RXE2, SWG4, SXE4 SXE5, VXE9	
	31223-Z4M-003	-	1	1	-	1	-	HXE8, HXE8/A, QXE2, QXE2/A, QXE5, QXE5/A, QXE8, QXEB, QXWE QXWE/A, RXE2, RXE2/A, SWG4, SWG4/A, SXE5, SXE5/A, VXE9 VXE9/A	
13	31224-ZE1-003	COVER, SPRING.....	1	-	-	1	-	-	HXE8, QKA4, QXE2, QXE4, QXE5, QXE8, QXW, QXWE, RXE2, SWG4, SXE4 SXE5, VXE9	
	31224-Z4M-003	-	1	1	-	1	-	HXE8, HXE8/A, QXE2, QXE2/A, QXE5, QXE5/A, QXE8, QXEB, QXWE QXWE/A, RXE2, RXE2/A, SWG4, SWG4/A, SXE5, SXE5/A, VXE9 VXE9/A	
14	31230-ZE1-003	GEAR ASSY.	1	-	-	1	-	-	HXE8, QKA4, QXE2, QXE4, QXE5, QXE8, QXW, QXWE, RXE2, SWG4, SXE4 SXE5, VXE9	
15	31235-ZE1-013	BRACKET COMP., FR.	1	-	-	1	-	-	HXE8, QKA4, QXE2, QXE4, QXE5, QXE8, QXW, QXWE, RXE2, SWG4, SXE4 SXE5, VXE9	
	31235-Z4M-003	-	1	1	-	1	-	HXE8, HXE8/A, QXE2, QXE2/A, QXE5, QXE5/A, QXE8, QXEB, QXWE QXWE/A, RXE2, RXE2/A, SWG4, SWG4/A, SXE5, SXE5/A, VXE9 VXE9/A	
16	32410-ZE1-010	CORD, MAGNET SWITCH.....	1	-	-	1	1	-	HXE8, QKA4, QXE4, QXE5, QXE8, QXW, QXWE, RXE2, SWG4, SWG4/A SXE4, SXE5	
	32410-ZE1-000	1	-	-	-	-	2025077	QXE2, VXE9	
	32410-ZE1-010	1	-	-	-	-	2025078	QXE2, VXE9	
			-	1	1	-	-	-	HXE8, HXE8/A, QXE2, QXE2/A, QXE5, QXE5/A, QXE8, QXEB, QXWE QXWE/A, RXE2, RXE2/A, SXE5, SXE5/A, VXE9, VXE9/A	
17	32411-ZE1-000	COVER, MAGNETIC SWITCH.....	1	1	1	1	1	-	HXE8, HXE8/A, QKA4, QXE2, QXE2/A, QXE4, QXE5, QXE5/A, QXE8 QXEB, QXW, QXWE, QXWE/A, RXE2, RXE2/A, SWG4, SWG4/A, SXE4 SXE5, SXE5/A, VXE9, VXE9/A	



E-21

STARTER MOTOR(1)



Ref. No.	Part No.	Description	Reqd. QTY						Serial No.	Parts catalogue code
			GX 160 UT1	GX 160 UT2	GX 160 UT2X	GX 160 RT1	GX 160 RT2	GX 160 RT2X		
18	32411-253-000	COVER, STARTER MOTOR TERMINAL	1	1	1	1	1	-	HXE8, HXE8/A, QKA4, QXE2, QXE2/A, QXE4, QXE5, QXE5/A, QXE8 QXEB, QXW, QXWE, QXWE/A, RXE2, RXE2/A, SWG4, SWG4/A, SXE4 SXE5, SXE5/A, VXE9, VXE9/A	
19	90010-ZE1-003	SCREW-WASHER, 5X8	1	-	-	1	-	-	HXE8, QKA4, QXE2, QXE4, QXE5, QXE8, QXW, QXWE, RXE2, SWG4, SXE4 SXE5, VXE9	
	90010-Z4M-003	SCREW, PAN, 5X8	-	1	1	-	1	-	HXE8, HXE8/A, QXE2, QXE2/A, QXE5, QXE5/A, QXE8, QXEB, QXWE QXWE/A, RXE2, RXE2/A, SWG4, SWG4/A, SXE5, SXE5/A, VXE9 VXE9/A	
20	90012-ZE1-003	BOLT, SETTING	2	-	-	2	-	-	HXE8, QKA4, QXE2, QXE4, QXE5, QXE8, QXW, QXWE, RXE2, SWG4, SXE4 SXE5, VXE9	
	90012-Z4M-003		-	2	2	-	2	-	HXE8, HXE8/A, QXE2, QXE2/A, QXE5, QXE5/A, QXE8, QXEB, QXWE QXWE/A, RXE2, RXE2/A, SWG4, SWG4/A, SXE5, SXE5/A, VXE9 VXE9/A	
21	90017-883-000	BOLT, FLANGE, 6X32(CT200)	1	1	1	1	1	-	HXE8, HXE8/A, QKA4, QXE2, QXE2/A, QXE4, QXE5, QXE5/A, QXE8 QXEB, QXW, QXWE, QXWE/A, RXE2, RXE2/A, SWG4, SWG4/A, SXE4 SXE5, SXE5/A, VXE9, VXE9/A	
22	90071-MB0-000	NUT-WASHER, 6MM	2	-	-	2	-	-	HXE8, QKA4, QXE2, QXE4, QXE5, QXE8, QXW, QXWE, RXE2, SWG4, SXE4 SXE5, VXE9	
	90201-Z4M-003		-	2	2	-	2	-	HXE8, HXE8/A, QXE2, QXE2/A, QXE5, QXE5/A, QXE8, QXEB, QXWE QXWE/A, RXE2, RXE2/A, SWG4, SWG4/A, SXE5, SXE5/A, VXE9 VXE9/A	
23	90115-GB4-700	SCREW-WASHER, 5X30	1	-	-	1	-	-	HXE8, QKA4, QXE2, QXE4, QXE5, QXE8, QXW, QXWE, RXE2, SWG4, SXE4 SXE5, VXE9	
	31236-Z4M-003		-	1	1	-	1	-	HXE8, HXE8/A, QXE2, QXE2/A, QXE5, QXE5/A, QXE8, QXEB, QXWE QXWE/A, RXE2, RXE2/A, SWG4, SWG4/A, SXE5, SXE5/A, VXE9 VXE9/A	

E-21

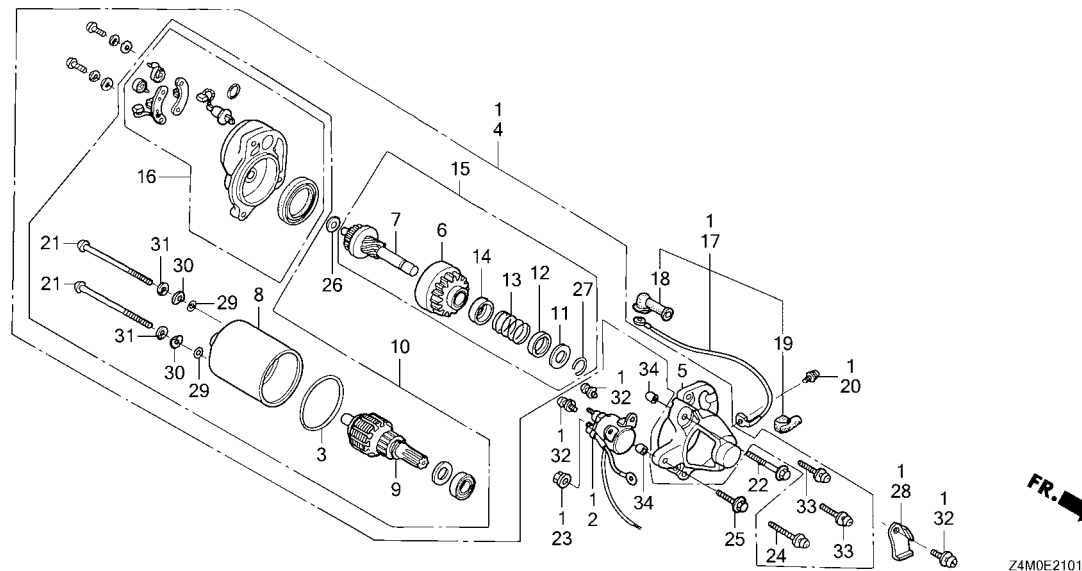
STARTER MOTOR(1)

Ref. No.	Part No.	Description	Reqd. QTY						Serial No.	Parts catalogue code
			GX 160 UT1	GX 160 UT2	GX 160 UT2X	GX 160 RT1	GX 160 RT2	GX 160 RT2X		
24	90121-952-000	BOLT, FLANGE, 6X25(CT200).....	1	1	1	1	1	-	HXE8, HXE8/A, QKA4, QXE2, QXE2/A, QXE4, QXE5, QXE5/A, QXE8 QXEB, QXW, QXWE, QXWE/A, RXE2, RXE2/A, SWG4, SWG4/A, SXE4 SXE5, SXE5/A, VXE9, VXE9/A	
25	90502-187-701	WASHER, PINION.....	1	-	-	1	-	-	HXE8, QKA4, QXE2, QXE4, QXE5, QXE8, QXW, QXWE, RXE2, SWG4, SXE4 SXE5, VXE9	
	31237-Z4M-003	-	1	1	-	1	-	HXE8, HXE8/A, QXE2, QXE2/A, QXE5, QXE5/A, QXE8, QXEB, QXWE QXWE/A, RXE2, RXE2/A, SWG4, SWG4/A, SXE5, SXE5/A, VXE9 VXE9/A	
26	90603-ZE1-003	CIRCLIP, 10.2MM.....	1	-	-	1	-	-	HXE8, QKA4, QXE2, QXE4, QXE5, QXE8, QXW, QXWE, RXE2, SWG4, SXE4 SXE5, VXE9	
	90603-Z4M-003	-	1	1	-	1	-	HXE8, HXE8/A, QXE2, QXE2/A, QXE5, QXE5/A, QXE8, QXEB, QXWE QXWE/A, RXE2, RXE2/A, SWG4, SWG4/A, SXE5, SXE5/A, VXE9 VXE9/A	
27	90631-ZE1-003	HOLDER, HARNESS.....	1	-	-	1	-	-	HXE8, QKA4, QXE2, QXE4, QXE5, QXE8, QXW, QXWE, RXE2, SWG4, SXE4 SXE5, VXE9	
	90631-Z4M-801	-	1	1	-	1	-	HXE8, HXE8/A, QXE2, QXE2/A, QXE5, QXE5/A, QXE8, QXEB, QXWE QXWE/A, RXE2, RXE2/A, SWG4, SWG4/A, SXE5, SXE5/A, VXE9 VXE9/A	
28	91301-ZE1-003	O-RING.....	2	-	-	2	-	-	HXE8, QKA4, QXE2, QXE4, QXE5, QXE8, QXW, QXWE, RXE2, SWG4, SXE4 SXE5, VXE9	
	91301-Z4M-003	-	2	2	-	2	-	HXE8, HXE8/A, QXE2, QXE2/A, QXE5, QXE5/A, QXE8, QXEB, QXWE QXWE/A, RXE2, RXE2/A, SWG4, SWG4/A, SXE5, SXE5/A, VXE9 VXE9/A	
29	91402-ZE6-003	WASHER, SPECIAL.....	2	-	-	2	-	-	HXE8, QKA4, QXE2, QXE4, QXE5, QXE8, QXW, QXWE, RXE2, SWG4, SXE4 SXE5, VXE9	
	91402-Z4M-003	-	2	2	-	2	-	HXE8, HXE8/A, QXE2, QXE2/A, QXE5, QXE5/A, QXE8, QXEB, QXWE QXWE/A, RXE2, RXE2/A, SWG4, SWG4/A, SXE5, SXE5/A, VXE9 VXE9/A	
30	91403-ZE6-003	WASHER, SPRING.....	2	-	-	2	-	-	HXE8, QKA4, QXE2, QXE4, QXE5, QXE8, QXW, QXWE, RXE2, SWG4, SXE4 SXE5, VXE9	
	91403-Z4M-003	-	2	2	-	2	-	HXE8, HXE8/A, QXE2, QXE2/A, QXE5, QXE5/A, QXE8, QXEB, QXWE QXWE/A, RXE2, RXE2/A, SWG4, SWG4/A, SXE5, SXE5/A, VXE9 VXE9/A	
31	93892-05014-08	SCREW-WASHER, 5X14.....	3	3	3	3	3	-	HXE8, HXE8/A, QKA4, QXE2, QXE2/A, QXE4, QXE5, QXE5/A, QXE8 QXEB, QXW, QXWE, QXWE/A, RXE2, RXE2/A, SWG4, SWG4/A, SXE4 SXE5, SXE5/A, VXE9, VXE9/A	
32	93892-05020-08	SCREW-WASHER, 5X20.....	2	2	2	2	2	-	HXE8, HXE8/A, QKA4, QXE2, QXE2/A, QXE4, QXE5, QXE5/A, QXE8 QXEB, QXW, QXWE, QXWE/A, RXE2, RXE2/A, SWG4, SWG4/A, SXE4 SXE5, SXE5/A, VXE9, VXE9/A	
33	94301-08100	DOWEL PIN, 8X10.....	2	2	2	2	2	-	HXE8, HXE8/A, QKA4, QXE2, QXE2/A, QXE4, QXE5, QXE5/A, QXE8 QXEB, QXW, QXWE, QXWE/A, RXE2, RXE2/A, SWG4, SWG4/A, SXE4 SXE5, SXE5/A, VXE9, VXE9/A	
34	31230-Z4M-003	GEAR ASSY.	-	1	1	-	1	-	HXE8, HXE8/A, QXE2, QXE2/A, QXE5, QXE5/A, QXE8, QXEB, QXWE QXWE/A, RXE2, RXE2/A, SWG4, SWG4/A, SXE5, SXE5/A, VXE9 VXE9/A	



E-21-1

STARTER MOTOR(2)

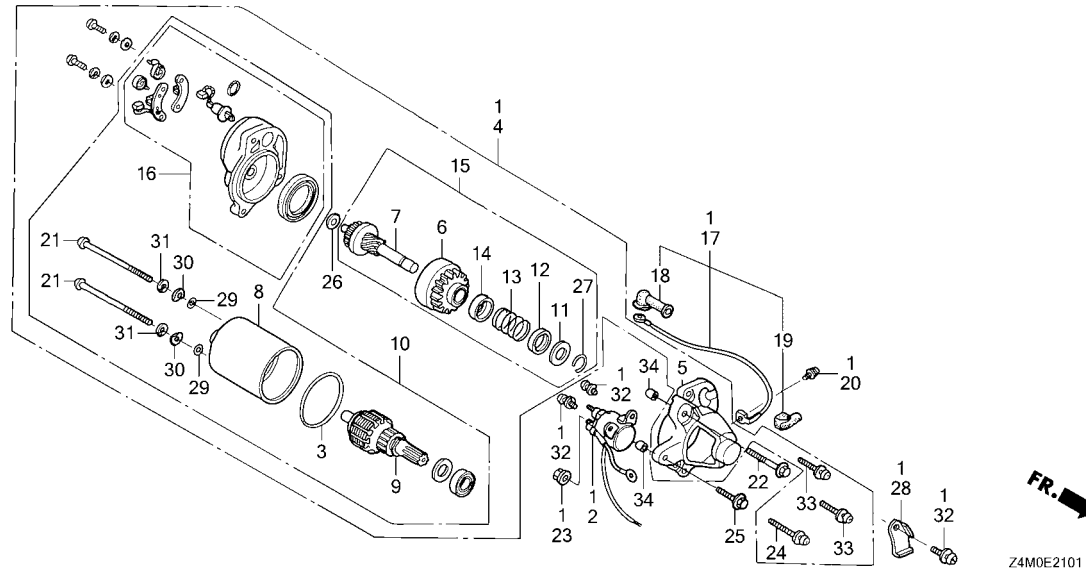


Ref. No.	L.O.N.	(Relative ref. Number) Description	F.R.T.
1	6121D5	MOTOR, STARTER	0.2
2	6121C9	SWITCH, STARTER MAGNETIC	0.2
5	6121B1	COVER, GEAR	0.3
7		(6, 11, 12, 13, 14, 27)	
	6121E4	SHAFT SET, STARTER GEAR	0.4
8	6121D1	YOKE, STARTER	0.4
9	6121A0	ARMATURE, STARTER	0.4
10	6121B8	MOTOR ONLY	0.3
15	6121B0	CLUTCH, OVERRUNNING	0.4
16	6121D2	BRACKET, STARTER :FRONT	0.4

Ref. No.	Part No.	Description	Reqd. QTY						Serial No.	Parts catalogue code
			GX 160 UT1	GX 160 UT2	GX 160 UT2X	GX 160 RT1	GX 160 RT2	GX 160 RT2X		
1	31200-ZL0-811	MOTOR ASSY., STARTER.....	1	-	-	-	-	-	----- QXP2,RXP2	
2	31204-ZE1-013	SWITCH COMP., STARTING MAGNET	1	-	-	-	-	-	----- QXP2,RXP2	
3	31206-KN7-670	O-RING	1	-	-	-	-	-	----- QXP2,RXP2	
4	31210-ZE1-723	MOTOR UNIT, STARTER(SM-11205) (181MM)	1	-	-	-	-	-	----- QXP2,RXP2	
5	31212-ZE1-003	COVER COMP., GEAR	1	-	-	-	-	-	----- QXP2,RXP2	
6	31214-ZE1-003	PINION ASSY.	1	-	-	-	-	-	----- QXP2,RXP2	
7	31215-ZE1-003	SHAFT UNIT, GEAR	1	-	-	-	-	-	----- QXP2,RXP2	
8	31216-ZE1-731	YOKE ASSY.	1	-	-	-	-	-	----- QXP2,RXP2	
9	31217-ZE1-722	ROTOR ASSY.	1	-	-	-	-	-	----- QXP2,RXP2	
10	31220-ZE1-722	MOTOR ONLY	1	-	-	-	-	-	----- QXP2,RXP2	
11	31221-ZE1-003	PIECE A, STOPPER	1	-	-	-	-	-	----- QXP2,RXP2	
12	31222-ZE1-003	PIECE B, STOPPER	1	-	-	-	-	-	----- QXP2,RXP2	
13	31223-ZE1-003	SPRING, RETURN	1	-	-	-	-	-	----- QXP2,RXP2	
14	31224-ZE1-003	COVER, SPRING	1	-	-	-	-	-	----- QXP2,RXP2	
15	31230-ZE1-003	GEAR ASSY.	1	-	-	-	-	-	----- QXP2,RXP2	
16	31235-ZE1-013	BRACKET COMP., FR.	1	-	-	-	-	-	----- QXP2,RXP2	
17	32410-ZE1-010	CORD, MAGNET SWITCH	1	-	-	-	-	-	----- QXP2,RXP2	
18	32411-253-000	COVER, STARTER MOTOR TERMINAL	1	-	-	-	-	-	----- QXP2,RXP2	
19	32411-ZE1-000	COVER, MAGNETIC SWITCH	1	-	-	-	-	-	----- QXP2,RXP2	
20	90010-ZE1-003	SCREW-WASHER, 5X8	1	-	-	-	-	-	----- QXP2,RXP2	
21	90012-ZE1-721	BOLT, SETTING	2	-	-	-	-	-	----- QXP2,RXP2	
22	90017-883-000	BOLT, FLANGE, 6X32(CT200)	1	-	-	-	-	-	----- QXP2,RXP2	
23	90071-MB0-000	NUT-WASHER, 6MM	2	-	-	-	-	-	----- QXP2,RXP2	
24	90115-GB4-700	SCREW-WASHER, 5X30	1	-	-	-	-	-	----- QXP2,RXP2	

E-21-1

STARTER MOTOR(2)

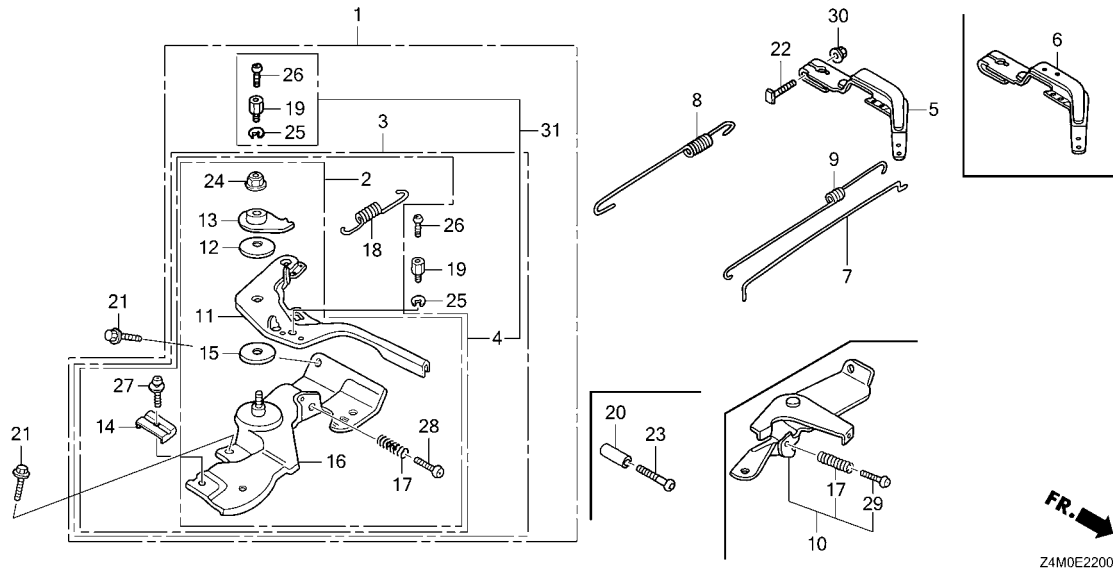


Ref. No.	Part No.	Description	Reqd. QTY						Serial No.	Parts catalogue code
			GX 160 UT1	GX 160 UT2	GX 160 UT2X	GX 160 RT1	GX 160 RT2	GX 160 RT2X		
25	90121-952-000	BOLT, FLANGE, 6X25(CT200).....	1	-	-	-	-	-	----- QXP2,RXP2	
26	90502-187-701	WASHER, PINION.....	1	-	-	-	-	-	----- QXP2,RXP2	
27	90603-ZE1-003	CIRCLIP, 10.2MM.....	1	-	-	-	-	-	----- QXP2,RXP2	
28	90631-ZE1-003	HOLDER, HARNESS.....	1	-	-	-	-	-	----- QXP2,RXP2	
29	91301-ZE1-003	O-RING.....	2	-	-	-	-	-	----- QXP2,RXP2	
30	91402-ZE6-003	WASHER, SPECIAL.....	2	-	-	-	-	-	----- QXP2,RXP2	
31	91403-ZE6-003	WASHER, SPRING.....	2	-	-	-	-	-	----- QXP2,RXP2	
32	93892-05014-08	SCREW-WASHER, 5X14.....	3	-	-	-	-	-	----- QXP2,RXP2	
33	93892-05020-08	SCREW-WASHER, 5X20.....	2	-	-	-	-	-	----- QXP2,RXP2	
34	94301-08100	DOWEL PIN, 8X10.....	2	-	-	-	-	-	----- QXP2,RXP2	



E-22

CONTROL



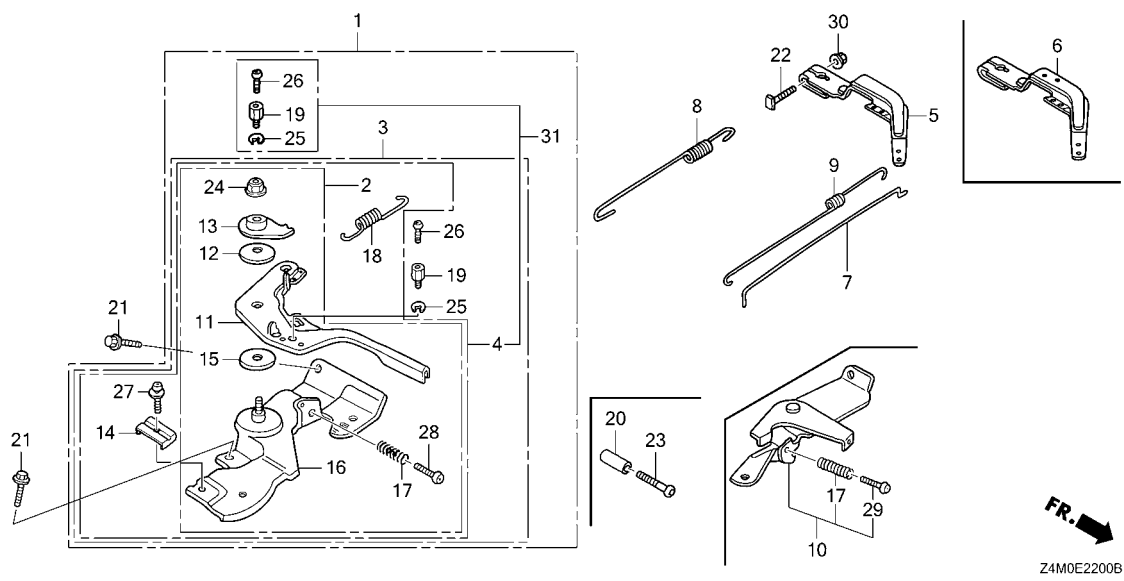
Ref. No.	L.O.N.	(Relative ref. Number) Description	F.R.T.
1		(2,3,4,10,31)	
1161A5		CONTROL, THROTTLE/GOVERNOR ...	0.2
5		(6)	
1161A0		ARM, GOVERNOR	0.2
1161B1		ROD, GOVERNOR	0.3
1161C5		SPRING, GOVERNOR	0.2
1161C2		SPRING, THROTTLE RETURN	0.3
1161A2		BASE, CONTROL	0.3
1161B7		SPRING, CABLE RETURN	0.2



Ref. No.	Part No.	Description	Reqd. QTY						Serial No.	Parts catalogue code
			GX 160 UT1	GX 160 UT2	GX 160 UT2X	GX 160 RT1	GX 160 RT2	GX 160 RT2X		
1	16500-ZH8-U43	CONTROL ASSY. (NORTON)	1	-	-	-	-	-	QNT	
	16500-ZK8-912	CONTROL ASSY. (CYCLONE-NORTON)	1	-	-	-	-	-	QNT4	
	16500-Z0V-S40	CONTROL ASSY. (CYCLONE-REMOTE)	-	1	-	-	-	-	SCM/A	
	16500-Z4M-U40	CONTROL ASSY. (NORTON)	-	1	-	-	-	-	SHRY, SHRY/A, SMX4/A, SMXE/A	
	16500-Z4M-309	CONTROL ASSY. (NORTON)(COO) (FOR U.S.A.)	-	1	-	-	-	-	SHRY, SMX4, SMXE	
	16500-Z0V-S40	CONTROL ASSY. (CYCLONE-REMOTE)	-	1	-	-	-	3002988	SCM	
			-	-	1	-	-	-	SCM	
	16500-Z4M-U40	CONTROL ASSY. (NORTON)	-	-	1	-	-	-	SHRY, SMX4, SMXE	
2	16500-ZH8-030	CONTROL ASSY.	1	-	-	-	-	-	PXU, TCS2, TW24, TX2, TX26, TX4, TXDU, TXU, UXU, VA2, VX2, VXW2 WKS, WMB0	
	16500-ZH8-883	CONTROL ASSY. (CYCLONE-STD.) ..	1	-	-	-	-	-	TXC9	
	16500-ZK8-020	CONTROL ASSY.	1	-	-	-	-	-	VX4, VXE9	
	16500-Z4M-000	-	1	-	-	-	-	PXU, TX2, TX4, TXDU, UXU, VA2, VXE9, WKS, WMB0, WMT4	
	16500-Z4M-305	CONTROL ASSY. (COO)(FOR U.S.A.)	-	1	-	-	-	-	WMT4/A	
	16500-Z4M-408	CONTROL ASSY. (CYCLONE-STD.) (COO)(FOR U.S.A.)	-	1	-	-	-	-	PXU, TX2, TX4, TXDU, UXU, VA2, VXE9, WKS, WMB0, WMT4	
	16500-Z4M-000	CONTROL ASSY.	-	-	1	-	-	-	QBC2, QBM2, QMC8, QMD6, QME4, QMP4, QMZ2, QWA4, SG22, SG24	
3	16500-ZH8-813	CONTROL ASSY. (REMOTE/INTERNAL)	1	-	-	-	-	-	SMC7, SMC9, VG24, WKT2, WKT4, WKT6	
	16500-ZH8-853	CONTROL ASSY. (CYCLONE)	1	-	-	-	-	-	QXC4, QXC9, VG29	
	16570-ZE1-714	CONTROL ASSY. (REMOTE INTL) ...	1	-	-	-	-	-	QXW, QXWE	
	16500-Z4M-810	CONTROL ASSY. (REMOTE/INTERNAL)	-	1	-	-	-	-	LHN4, LHN4/A, QBC2, QBM2, QBM2/A, QMC8, QMC8/A, QMD6, QMD6/A QME4, QME4/A, QMP4, QMX2, QMX2/A, QWA4, QWA4/A, S1CY, S1CY/A SG24/A, SMC7, SMC7/A, SMC9, SMC9/A, SMW2, SMW2/A, VG25 VG25/A, WKT2, WKT2/A	

Ref. No.	Part No.	Description	Reqd. QTY						Serial No.	Parts catalogue code
			GX 160 UT1	GX 160 UT2	GX 160 UT2X	GX 160 RT1	GX 160 RT2	GX 160 RT2X		
(3)	16500-Z4M-306	CONTROL ASSY.(REMOTE INTL) (COO)(FOR U.S.A.)	-	1	-	-	-	-	LHN4, QBC2, QBM2, QMC8, QMD6, QME4, QMP4, QMX2, QWA4, S1CY SG24, SMC7, SMC9, SMW2, WKT2 QC9, QC9/A, QCM/A, VCG, VCG/A	
	16500-Z0V-780	CONTROL ASSY.(CYCLONE-REMOTE)	-	1	-	-	-	-	QC9, QCM, VCG	
	16500-Z0V-306	CONTROL ASSY.(CYCLONE-REMOTE) (COO)(FOR U.S.A.)	-	1	-	-	-	-	QC9, QCM, VCG	
	16500-Z4M-407	CONTROL ASSY.(CYCLONE)(COO) (FOR U.S.A.)	-	1	-	-	-	-	QMXC, QXC9, VG29	
	16500-Z4M-850	CONTROL ASSY.(CYCLONE).....	-	1	-	-	-	-	QXC9, SMXC, VG29	
	16500-Z0V-780	CONTROL ASSY.(CYCLONE-REMOTE)	-	1	-	-	-	3002987	SCM	
	16500-Z4M-810	CONTROL ASSY.(REMOTE/INTERNAL)	-	-	1	-	-	-	QBM2, QMC8, QMD6, QME4, QMX2, QWA4, S1CY, SG24, SMC7, SMW2 VG25, WKT2	
	16500-Z0V-780	CONTROL ASSY.(CYCLONE-REMOTE)	-	-	1	-	-	-	QC9, QCM	
	16500-ZH8-893	CONTROL ASSY.(REMOTE INTL-S).....	-	-	-	1	-	-	SWG4	
4	16500-ZH8-823	CONTROL ASSY.(REMOTE).....	1	-	-	1	-	-	HH26, HHQ4, HX2, HX4, HXE8, HXU, LHQ4, LX2, LX26, LX4, LXU, QA2 QA26, QAX2, QAX4, QBT6, QCB2, QCL, QGR9, QH26, QHG4, QHQ4, QHQ4, QKA4, QMC6, QPU, QW24, QWW2, QWX2, QX2, QX26, QX4, QX7, QX9 QXE2, QXE4, QXE5, QXE8, QXF2, QXP2, QXS2, QXU, RH2, RHG4, RHQ4 RTB2, RX4, RXE2, RXP2, RXU, SD16, SHQ4, SHQU, SSSX2, SWX2, SX2 SX4, SX7, SX9, SXE4, SXE5, SXS, SXS2, SXS4, SXU	
	16500-Z4M-820	-	1	1	-	1	1	HH26, HH26/A, HHQ4, HX2, HX2/A, HX4, HX4/A, HXE8, HXE8/A, LHQ4 LX2, LX2/A, LX4, LX4/A, LXM2, LXM2/A, QA2, QA2/A, QAX2, QAX4 QAX4/A, QGR9, QGR9/A, QH26, QH26/A, QHG4, QHG4/A, QHQ4 QHQ4/A, QMC6, QMC6/A, QPU, QWX2, QWX2/A, QX2, QX2/A, QX4 QX4/A, QX9, QX9/A, QXE2, QXE2/A, QXE5, QXE5/A, QXE8, QXEB QXGB, QXM2, QXS2, QXS2/A, QXU, QXU/A, RH2, RH2/A, RHG4, RHG4/A RHQ4, RHQ4/A, RX4, RX4/A, RXE2, RXE2/A, RXU, RXU/A, SD16 SD16/A, SHQ4, SHQ4/A, SSSX2, SSSX2/A, SWX2, SWX2/A, SX4, SX4/A SX9, SX9/A, SXE5, SXE5/A, SXS4, SXS4/A, SXU, SXU/A	
	16500-Z4M-307	CONTROL ASSY.(REMOTE)(COO) (FOR U.S.A.)	-	1	-	-	1	-	HH26, HHQ4, HX2, HX4, HXE8, LHQ4, LX2, LX4, LXM2, QA2, QAX2 QAX4, QGR9, QH26, QHG4, QHQ4, QMC6, QPU, QWX2, QX2, QX4, QX9 QXE2, QXE5, QXE8, QXM2, QXS2, QXU, RH2, RHG4, RHQ4, RX4, RXE2 RXU, SD16, SHQ4, SSSX2, SWX2, SX4, SX9, SXE5, SXS4, SXU	
5	16551-ZE0-010	ARM, GOVERNOR.....	1	-	-	1	-	-	HH26, HHQ4, HX2, HX4, HXE8, HXU, LHQ4, LX2, LX26, LX4, LXU, PXU QA2, QA26, QAX2, QAX4, QBC2, QBM2, QBT6, QCB2, QCL, QGR9, QH26 QHG4, QHQ4, QHQ4, QKA4, QMC6, QMC8, QMD6, QME4, QMP4, QM22, QNT QNT4, QPU, QW24, QWA4, QWW2, QWX2, QX2, QX26, QX4, QX7, QX9 QXC4, QXC9, QXE2, QXE4, QXE5, QXE8, QXF2, QXP2, QXS2, QXU, QXW QXWE, RH2, RHG4, RHQ4, RTB2, RX4, RXE2, RXP2, RXU, SD16, SG22 SG24, SHQ4, SHQU, SMC7, SMC9, SSSX2, SWG4, SWX2, SX2, SX4, SX7 SX9, SXE4, SXE5, SXS, SXS2, SXS4, SXU, TCS2, TW24, TX2, TX26 TX4, TXC9, TXDU, TXU, UXU, VG24, VG29, WKS, WKT2, WKT4, WKT6 WMB0	
	16551-Z4M-000	-	1	1	-	1	1		
6	16551-ZL0-000	ARM, GOVERNOR.....	1	-	-	-	-	-	VA2, VGE2, VGE4, VGE5, VHA9, VHH4, VMS4, VPM4, VPM5, VPM8, VPM9 VPMN, VPR4, VPR9, VS17, VS19, VSD, VSD1, VSD2, VSD7, VSD9, VWA2 VWW2, VWWN, VX2, VX4, VXE9, VXU1, VXW2	
7	16555-ZE1-000	ROD, GOVERNOR.....	1	-	-	1	-	-		





Ref. No.	Part No.	Description	Reqd. QTY						Serial No.	Parts catalogue code
			GX 160 UT1	GX 160 UT2	GX 160 UT2X	GX 160 RT1	GX 160 RT2	GX 160 RT2X		
(7)	16555-Z4M-000	ROD, GOVERNOR	-	1	-	-	1	-	EMAN, HH26, HHQ4, HX2, HX4, HXE8, LHN4, LHN4/A, LHQ4, LX2, LX4, LXM2, PXU, QA2, QAX2, QAX4, QBC2, QBM2, QC9, QCM, QGR9, QH26, QHG4, QHQ4, QMC6, QMC8, QMD6, QME4, QMP4, QMX2, QMXC, QPU, QWA4, QWX2, QX2, QX4, QX9, QXE2, QXE5, QXE8, QXM2, QXS2, QXU, QXWE, RH2, RHG4, RHQ4, RX4, RXE2, RXU, RXU/A, S1CY, SCM, SD16, SG24, SHCC, SHQ4, SHRY, SMC7, SMC9, SMW2, SMX4, SMXC, SMXE, SSS2, SWG4, SWG4/A, SWX2, SX4, SX9, SX9/A, SXE5, SXS4, SXU, TX2, TX4, TXC9, TXDU, UXU, VA2, VCG, VES6, VG25, VGE4, VGE5, VHH4, VHH4/A, VPM5, VS19, VSD9, VWS, VWS1, VWWN, VX2, VX2/A, VXE9, VXU1, WKS, WKT2, WMB0, WMT4	
			-	1	-	-	-	4374790	HH26/A, HX2/A, HX4/A, HXE8/A, LX2/A, LX4/A, LXM2/A, PXU/A, QA2/A, QAX4/A, QBM2/A, QC9/A, QCM/A, QGR9/A, QH26/A, QHQ4/A, QMC6/A, QMC8/A, QMD6/A, QME4/A, QMX2/A, QWA4/A, QWX2/A, QX2/A, QX4/A, QX9/A, QXC9, QXE2/A, QXE5/A, QXEB, QXGB, QXS2/A, QXU/A, QXWE/A, RH2/A, RHQ4/A, RX4/A, RXE2/A, S1CY/A, SCM/A, SD16/A, SG24/A, SHCC/A, SHQ4/A, SHRY/A, SMC7/A, SMC9/A, SMW2/A, SMX4/A, SMXE/A, SSS2/A, SWX2/A, SX4/A, SXE5/A, SXS4/A, SXU/A, TX2/A, TX4/A, TXDU/A, UXU/A, VA2/A, VCG/A, VG25/A, VG29, VSD9/A, VXE9/A, VXU1/A, WKS/A, WKT2/A, WMB0/A, WMT4/A	

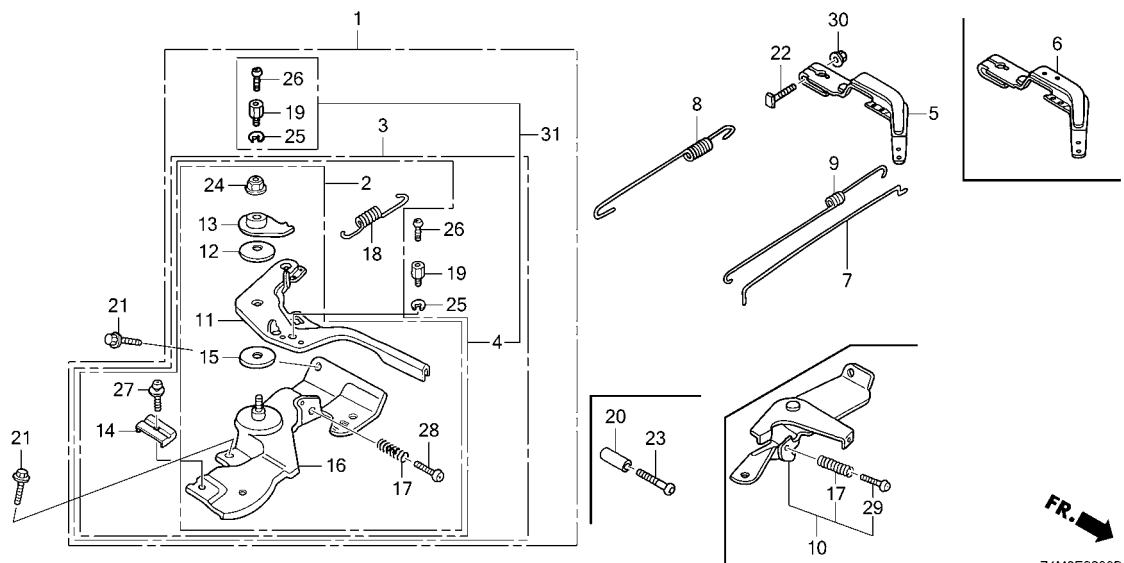


Ref. No.	Part No.	Description	Reqd. QTY						Serial No.	Parts catalogue code
			GX 160 UT1	GX 160 UT2	GX 160 UT2X	GX 160 RT1	GX 160 RT2	GX 160 RT2X		
(7)	16555-Z0T-N70	ROD, GOVERNOR	-	1	-	-	-	-	4374791 -----	HH26/A, HX2/A, HX4/A, HXE8/A, LX2/A, LX4/A, LXM2/A, PXU/A, QA2/A, QAX4/A, QBM2/A, QC9/A, QCM/A, QGR9/A, QH26/A, QHQ4/A, QMC6/A, QMC8/A, QMD6/A, QME4/A, QMX2/A, QWA4/A, QWX2/A, QX2/A, QX4/A, QX9/A, QXC9, QXE2/A, QXE5/A, QXEB, QXGB, QXS2/A, QXU/A, QXWE/A, RH2/A, RHQ4/A, RX4/A, RXE2/A, S1CY/A, SCM/A, SD16/A, SG24/A, SHCC/A, SHQ4/A, SHRY/A, SMC7/A, SMC9/A, SMMW2/A, SMX4/A, SMXE/A, SSSX2/A, SWX2/A, SX4/A, SXE5/A, SXS4/A, SXU/A, TX2/A, TX4/A, TXDU/A, UXU/A, VA2/A, VCG/A, VG25/A, VG29, VSD9/A, VXE9/A, VXU1/A, WKS/A, WKT2/A, WMB0/A, WMT4/A
	16555-Z4M-000	-	-	1	-	-	1	-----	4383201 EMAN/A, QHG4/A, RHG4/A, VES6/A, VWS1/A, VWWN/A
	16555-Z0T-N70	-	-	-	-	1	-	4383202 -----	EMAN/A, QHG4/A, RHG4/A, VES6/A, VWS1/A, VWWN/A
8	16561-ZE1-020	SPRING, GOVERNOR	1	-	-	1	-	-	-----	HH26, HHQ4, HX2, HX4, HXE8, HXU, LHQ4, LX2, LX26, LX4, LXU, PXU, QA2, QA26, QAX2, QAX4, QBC2, QBM2, QBT6, QCB2, QCL, QGR9, QH26, QHG4, QHQ4, QHQ4, QKA4, QMC6, QMC8, QMD6, QME4, QMP4, QM22, QNT, QNT4, QPU, QW24, QWA4, QWW2, QWX2, QX2, QX26, QX4, QX7, QX9, QXC4, QXC9, QXE2, QXE4, QXE5, QXE8, QXF2, QXP2, QXS2, QXU, QXW, QXWE, RH2, RHG4, RHQ4, RTB2, RX4, RXE2, RXP2, RXU, SD16, SG22, SG24, SHQ4, SHQU, SMC7, SMC9, SSSX2, SWG4, SWX2, SX2, SX4, SX7, SX9, SXE4, SXE5, SXS, SXS2, SXS4, SXU, TCS2, TW24, TX2, TX26, TX4, TXC9, TXDU, TXU, UXU, VG24, VG29, WKS, WKT2, WKT4, WKT6, WMB0
	16561-ZL0-000	1	-	-	-	-	-	-----	VA2, VWA2, VWW2, VWWN, VX2, VXW2
	16561-ZL0-U30	1	-	-	-	-	-	-----	VGE2, VGE4, VGE5, VHA9, VHH4, VMS4, VPM4, VPM5, VPM8, VPM9, VPMN, VPR4, VPR9, VS17, VS19, VSD, VSD1, VSD2, VSD7, VSD9, VX4, VXE9, VXU1
	16561-ZH8-940	-	1	1	-	-	-	-----	WMT4, WMT4/A
	16561-Z4M-010	-	1	-	-	1	-	-----	EMAN/A, HH26/A, HX2/A, HX4/A, HXE8/A, LHN4/A, LHQ4, LX2, LX2/A, LX4, LX4/A, LXM2, LXM2/A, PXU, PXU/A, QA2, QA2/A, QAX4/A, QBC2, QBM2, QBM2/A, QC9, QC9/A, QCM, QCM/A, QGR9, QGR9/A, QH26, QH26/A, QHG4/A, QHQ4, QHQ4/A, QMC6, QMC6/A, QMC8, QMC8/A, QMD6, QMD6/A, QME4, QME4/A, QMP4, QMX2/A, QMXC, QPU, QWA4, QWA4/A, QWX2, QWX2/A, QX2, QX2/A, QX4, QX4/A, QX9, QX9/A, QXE2, QXE2/A, QXE5/A, QXEB, QXGB, QXM2, QXS2, QXS2/A, QXU, QXU/A, QXWE/A, RH2/A, RHG4/A, RHQ4/A, RX4/A, RXE2/A, RXU/A, S1CY/A, SCM, SCM/A, SD16, SD16/A, SG24, SG24/A, SHCC, SHCC/A, SHQ4, SHQ4/A, SHRY/A, SMC7, SMC7/A, SMC9, SMC9/A, SMMW2/A, SMX4, SMX4/A, SMXC, SMXE, SMXE/A, SSSX2/A, SWG4/A, SWX2, SWX2/A, SX4, SX4/A, SX9, SX9/A, SXE5/A, SXS4, SXS4/A, SXU, SXU/A, TX2, TX2/A, TX4, TX4/A, TXDU, TXDU/A, UXU/A, VA2, VA2/A, VCG, VCG/A, VES6/A, VG25, VG25/A, VHH4/A, VSD9, VSD9/A, VWS1, VWS1/A, VWWN/A, VX2, VX2/A, VXE9, VXE9/A, VXU1, VXU1/A, WKS, WKS/A, WKT2, WKT2/A, WMB0/A
	16561-Z4M-000	-	1	-	-	-	-	1001324 -----	HH26, HHQ4, HX2, HX4, HXE8, LHN4, QAX2, QAX4, QMX2, QXC9, QXE5, QXE8, QXWE, RH2, RHQ4, RX4, RXE2, RXU, S1CY, SHRY, SMMW2, SSSX2, SXE5, TXC9, UXU, VG29, WMB0
	16561-Z4M-010	-	1	-	-	-	-	1001325 -----	HH26, HHQ4, HX2, HX4, HXE8, LHN4, QAX2, QAX4, QMX2, QXC9, QXE5, QXE8, QXWE, RH2, RHQ4, RX4, RXE2, RXU, S1CY, SHRY, SMMW2, SSSX2, SXE5, TXC9, UXU, VG29, WMB0
			-	-	1	-	-	-	-----	HH26, HX2, HX4, HXE8, LX2, LX4, LXM2, PXU, QA2, QAX4, QBM2, QC9, QCM, QGR9, QH26, QHQ4, QMC6, QMC8, QMD6, QME4, QMX2, QWA4, QX2, QX4, QX9, QXE2, QXE5, QXEB, QXGB, QXU, QXWE, RH2, RHQ4, RX4, RXE2, S1CY, SCM, SD16, SG24, SHCC, SHQ4, SHRY, SMC7, SMMW2, SMX4, SMXE, SSSX2, SWX2, SX4, SXE5, SXS4, SXU, TX2, TX4, TXDU, UXU, VA2, VG25, VSD9, VXE9, WKS, WKT2, WMB0
	16561-Z4M-000	-	-	-	-	1	-	1064638 -----	EMAN, QHG4, RHG4, SWG4, VES6, VGE4, VGE5, VHH4, VPM5, VS19, VWS, VWWN



E-22

CONTROL



Ref. No.	Part No.	Description	Reqd. QTY						Serial No.	Parts catalogue code
			GX 160 UT1	GX 160 UT2	GX 160 UT2X	GX 160 RT1	GX 160 RT2	GX 160 RT2X		
(8)	16561-Z4M-010	SPRING, GOVERNOR.....	-	-	-	-	1	-	1064639 -----	EMAN,QHG4,RHG4,SWG4,VES6,VGE4,VGE5,VHH4,VPM5,VS19,VWSVWN
9	16562-ZE1-020 16562-Z4M-000	SPRING, THROTTLE RETURN.....	-	-	-	-	-	1	-	EMAN,HH26,HHQ4,HX2,HX4,HXE8,LHN4,LHQ4,LX2,LX4,LXM2/PXU,QA2,QAX2,QAX4,QBC2,QBM2,QC9,QCM,QGR9,QH26,QHG4,QHQ4,QMC6,QMC8,QMD6,QME4,QMP4,QMX2,QMXC,QPU,QWA4,QWX2,QX2,QX4,QX9,QXC9,QXE2,QXE5,QXE8,QXM2,QXS2,QXU,QXWE,RH2,RHG4,RHQ4,RX4,RXE2,RXU,S1CY,SCM,SD16,SG24,SHCC,SHQ4,SHRY,SMC7,SMC9,SMW2,SMX4,SMXC,SMXE,SSX2,SWG4,SWX2,SX4,SX9,SXE5,SXS4,SXU,TX2,TX4,TXC9,TXDU,UXU,VA2,VCG,VES6,VG25,VG29,VGE4,VGE5,VHH4,VPM5,VS19,VSD9,VWSVWS1,VWVN,VX2,VXE9,VXU1,WKS,WKT2,WMB0,WMT4
	16562-ZE1-020	-	1	-	-	-	-	-----	HH26/A,HX2/A,HX4/A,HXE8/A,LHN4/A,LX2/A,LX4/A,LXM2/A,PXU/A,QA2/A,QAX4/A,QBM2/A,QC9/A,QCM/A,QGR9/A,QH26/A,QHQ4/A,QMC6/A,QMC8/A,QMD6/A,QME4/A,QMX2/A,QWA4/A,QWX2/A,QX2/A,QX4/A,QX9/A,QXE2/A,QXE5/A,QXE8/A,QXGB,QXS2/A,QXU/A,QXWE/A,RH2/A,RHQ4/A,RX4/A,RXE2/A,RXU/A,S1CY/A,SCM/A,SD16/A,SG24/A,SHCC/A,SHQ4/A,SHRY/A,SMC7/A,SMC9/A,SMW2/A,SMX4/A,SMXE/A,SSX2/A,SWX2/A,SX4/A,SX9/A,SXE5/A,SXS4/A,SXU/A,TX2/A,TX4/A,TXDU/A,UXU/A,VA2/A,VCG/A,VG25/A,VSD9/A,VX2/A,VXE9/A,VXU1/A,WKS/A,WKT2/A,WMB0/A,WMT4/A
10	16570-ZB2-000 16570-ZK8-U30 16500-Z4M-870	CONTROL ASSY. CONTROL ASSY.(WACKER) CONTROL ASSY.	1	-	-	-	-	-	-----	EMAN/A,QHG4/A,RHG4/A,SWG4/A,VES6/A,VHH4/A,VWS1/A,VWVN/A VGE2,VGE4,VGE5,VHA9,VHH4,VMS4,VPM4,VPM5,VPM8,VPM9,VPMN,VPR4,VPR9,VS17,VS19,VSD,VSD1,VSD2,VSD7,VSD9,VXU1 VWA2 VHH4/A,VSD9/A,VXU1/A

E-22

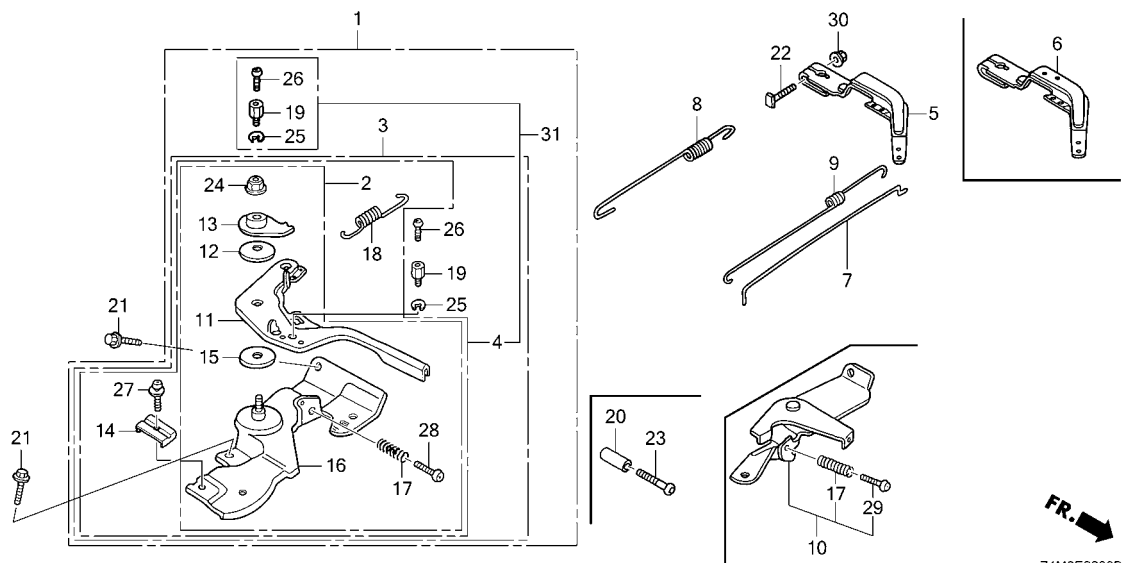
CONTROL

Ref. No.	Part No.	Description	Reqd. QTY						Serial No.	Parts catalogue code	
			GX 160 UT1	GX 160 UT2	GX 160 UT2X	GX 160 RT1	GX 160 RT2	GX 160 RT2X			
10)	16570-ZB2-000	CONTROL ASSY.	-	1	-	-	-	-	1031326	VSD9, VXU1	
	16500-Z4M-870	-	1	-	-	-	1031327	-----	VSD9, VXU1	
	16570-ZB2-000	-	-	1	-	-	-----	-----	VSD9	
	16500-Z4M-870	-	-	-	-	1	-----	-----	VGE4, VGE5, VPM5, VS19	
	16500-Z4M-870	-	-	-	-	1	-----	1170560	VHH4	
	16500-Z4M-870	-	-	-	-	1	-----	1170561	VHH4	
11	16571-ZH8-020	LEVER, CONTROL	1	-	-	1	-	-	-----	-----	HH26, HHQ4, HX2, HX4, HXE8, HXU, LHQ4, LX2, LX26, LX4, LXU, PXU QA2, QA26, QAX2, QAX4, QBC2, QBM2, QBT6, QCB2, QCL, QGR9, QH26 QH4, QHQ4, QHQU, QKA4, QMC6, QMC8, QMD6, QME4, QMP4, QM22, QNT QNT4, QPU, QW24, QWA4, QWW2, QWX2, QX2, QX26, QX4, QX7, QX9 QXC4, QXC9, QXE2, QXE4, QXE5, QXE8, QXF2, QXP2, QXS2, QXU, QXW QXWE, RH2, RHG4, RHQ4, RTB2, RX4, RXE2, RXP2, RXU, SD16, SG22 SG24, SHQ4, SHQU, SMC7, SMC9, SSS2, SWG4, SWX2, SX2, SX4, SX7 SX9, SXE4, SXE5, SXS, SXS2, SXS4, SXU, TCS2, TW24, TX2, TX26 TX4, TXC9, TXDU, TXU, UXU, VA2, VG24, VG29, VX2, VX4, VXE9, VXW2 WKS, WKT2, WKT4, WKT6, WMB0
	16571-Z4M-000	-	1	1	-	1	1	-----	-----	HH26, HH26/A, HHQ4, HX2, HX2/A, HX4, HX4/A, HXE8, HXE8/A, LHN4 LHN4/A, LHQ4, LX2, LX2/A, LX4, LX4/A, LXM2, LXM2/A, PXU, PXU/A QA2, QA2/A, QAX2, QAX4, QAX4/A, QBC2, QBM2, QBM2/A, QC9, QC9/A QCM, QCM/A, QGR9, QGR9/A, QH26, QH26/A, QHG4, QHG4/A, QHQ4 QH4/A, QMC6, QMC6/A, QMC8, QMC8/A, QMD6, QMD6/A, QME4 QME4/A, QMP4, QMX2, QMX2/A, QMXX, QPU, QWA4, QWA4/A, QWX2 QWX2/A, QX2, QX2/A, QX4, QX4/A, QX9, QX9/A, QXC9, QXE2, QXE2/A QXE5, QXE5/A, QXE8, QXEB, QXGB, QXM2, QXS2, QXS2/A, QXU, QXU/A QXWE, QXWE/A, RH2, RH2/A, RHG4, RHG4/A, RHQ4, RHQ4/A, RX4 RX4/A, RXE2, RXE2/A, RXU, RXU/A, S1CY, S1CY/A, SCM, SCM/A SD16, SD16/A, SG24, SG24/A, SHCC, SHCC/A, SHQ4, SHQ4/A, SHRY SHRY/A, SMC7, SMC7/A, SMC9, SMC9/A, SMM2, SMM2/A, SMX4 SMX4/A, SMXC, SMXE, SMXE/A, SSS2, SSS2/A, SWG4, SWG4/A, SWX2 SWX2/A, SX4, SX4/A, SX9, SX9/A, SXE5, SXE5/A, SXS4, SXS4/A SXU, SXU/A, TX2, TX2/A, TX4, TX4/A, TXC9, TXDU, TXDU/A, UXU UXU/A, VA2, VA2/A, VCG, VCG/A, VG25, VG25/A, VG29, VX2, VX2/A VXE9, VXE9/A, WKS, WKS/A, WKT2, WKT2/A, WMB0, WMB0/A, WMT4 WMT4/A
12	16574-ZE1-000	SPRING, LEVER	1	1	1	1	1	1	-----	-----	HH26, HH26/A, HHQ4, HX2, HX2/A, HX4, HX4/A, HXE8, HXE8/A, HXU LHN4, LHN4/A, LHQ4, LX2, LX2/A, LX26, LX4, LX4/A, LXM2, LXM2/A LXU, PXU, PXU/A, QA2, QA2/A, QA26, QAX2, QAX4, QAX4/A, QBC2 QBM2, QBM2/A, QBT6, QC9, QC9/A, QCB2, QCL, QCM, QCM/A, QGR9 QGR9/A, QH26, QH26/A, QHG4, QHG4/A, QHQ4, QHQ4/A, QHQU, QKA4 QMC6, QMC6/A, QMC8, QMC8/A, QMD6, QMD6/A, QME4, QME4/A, QMP4 QMX2, QMX2/A, QMXX, QM22, QNT, QNT4, QPU, QW24, QWA4, QWA4/A QWW2, QWX2, QWX2/A, QX2, QX2/A, QX26, QX4, QX4/A, QX7, QX9 QX9/A, QXC4, QXC9, QXE2, QXE2/A, QXE4, QXE5, QXE5/A, QXE8 QXEB, QXF2, QXGB, QXM2, QXP2, QXS2, QXS2/A, QXU, QXU/A, QXW QXWE, QXWE/A, RH2, RH2/A, RHG4, RHG4/A, RHQ4, RHQ4/A, RTB2 RX4, RX4/A, RXE2, RXE2/A, RXP2, RXU, RXU/A, S1CY, S1CY/A, SCM SCM/A, SD16, SD16/A, SG22, SG24, SG24/A, SHCC, SHCC/A, SHQ4 SHQ4/A, SHQU, SHRY, SHRY/A, SMC7, SMC7/A, SMC9, SMC9/A, SMM2 SMM2/A, SMX4, SMX4/A, SMXC, SMXE, SMXE/A, SSS2, SSS2/A, SWG4 SWG4/A, SWX2, SWX2/A, SX2, SX4, SX4/A, SX7, SX9, SX9/A, SXE4 SXE5, SXE5/A, SXS, SXS2, SXS4, SXS4/A, SXU, SXU/A, TCS2, TW24 TX2, TX2/A, TX26, TX4, TX4/A, TXC9, TXDU, TXDU/A, TXU, UXU UXU/A, VA2, VA2/A, VCG, VCG/A, VG24, VG25, VG25/A, VG29, VX2 VX2/A, VX4, VXE9, VXE9/A, VXW2, WKS, WKS/A, WKT2, WKT2/A, WKT4 WKT6, WMB0, WMB0/A, WMT4, WMT4/A



E-22

CONTROL



FR. →

Z4M0E2200B

Ref. No.	Part No.	Description	Reqd. QTY						Serial No.	Parts catalogue code
			GX 160 UT1	GX 160 UT2	GX 160 UT2X	GX 160 RT1	GX 160 RT2	GX 160 RT2X		
13	16575-ZH8-000	WASHER, CONTROL LEVER	1	1	1	1	1	1	-----	HH26, HH26/A, HHQ4, HX2, HX2/A, HX4, HX4/A, HXE8, HXE8/A, HXU LHN4, LHN4/A, LHQ4, LX2, LX2/A, LX26, LX4, LX4/A, LXM2, LXM2/A LXU, PXU, PXU/A, QA2, QA2/A, QA26, QAX2, QAX4, QAX4/A, QBC2 QBM2, QBM2/A, QBT6, QC9, QC9/A, QCB2, QCL, QCM, QCM/A, QGR9 QGR9/A, QH26, QH26/A, QHG4, QHG4/A, QHQ4, QHQ4/A, QHQU, QKA4 QMC6, QMC6/A, QMC8, QMC8/A, QMD6, QMD6/A, QME4, QME4/A, QMP4 QMX2, QMX2/A, QMXC, QMZ2, QNT, QNT4, QPU, QW24, QWA4, QWA4/A QWW2, QWX2, QWX2/A, QX2, QX2/A, QX26, QX4, QX4/A, QX7, QX9 QX9/A, QXC4, QXC9, QXE2, QXE2/A, QXE4, QXE5, QXE5/A, QXE8 QXEB, QXF2, QXGB, QXM2, QXP2, QXS2, QXS2/A, QXU, QXU/A, QXW QXWE, QXWE/A, RH2, RH2/A, RHG4, RHG4/A, RHQ4, RHQ4/A, RTB2 RX4, RX4/A, RXE2, RXE2/A, RXP2, RXU, RXU/A, S1CY, S1CY/A, SCM SCM/A, SD16, SD16/A, SG22, SG24, SG24/A, SHCC, SHCC/A, SHQ4 SHQ4/A, SHQU, SHRY, SHRY/A, SMC7, SMC7/A, SMC9, SMC9/A, SMW2 SMW2/A, SMX4, SMX4/A, SMXC, SMXE, SMXE/A, SSS2, SSS2/A, SWG4 SWG4/A, SWX2, SWX2/A, SX2, SX4, SX4/A, SX7, SX9, SX9/A, SXE4 SXE5, SXE5/A, SXS, SXS2, SXS4, SXS4/A, SXU, SXU/A, TCS2, TW24 TX2, TX2/A, TX26, TX4, TX4/A, TXC9, TXDU, TXDU/A, TXU, UXU UXU/A, VA2, VA2/A, VCG, VCG/A, VG24, VG25, VG25/A, VG29, VX2 VX2/A, VX4, VXE9, VXE9/A, VXW2, WKS, WKS/A, WKT2, WKT2/A, WKT4 WKT6, WMB0, WMB0/A, WMT4, WMT4/A

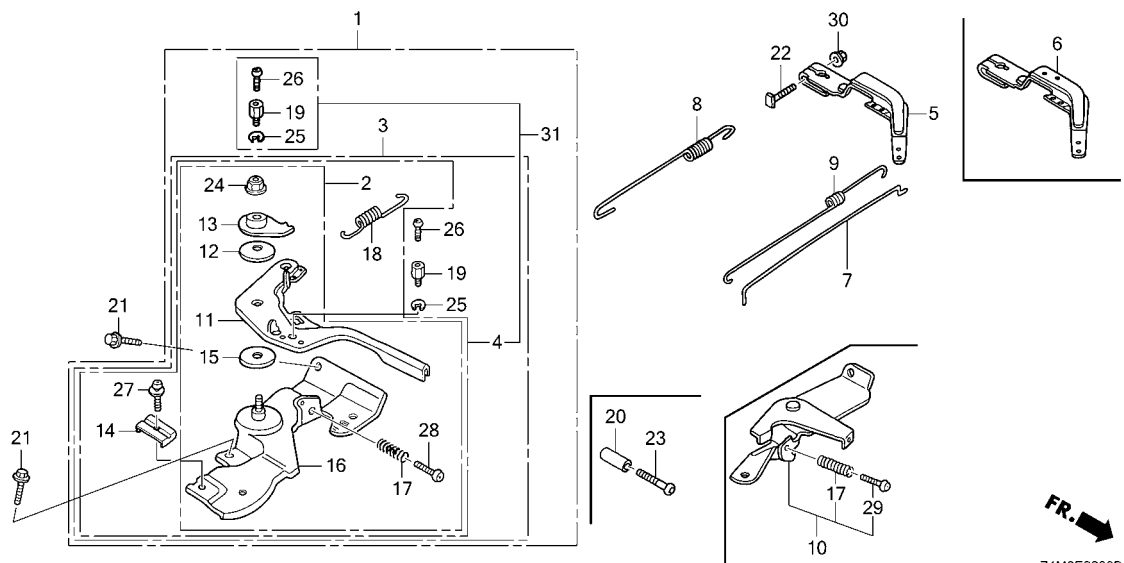
2

Ref. No.	Part No.	Description	Reqd. QTY							Serial No.	Parts catalogue code
			GX 160 UT1	GX 160 UT2	GX 160 UT2X	GX 160 RT1	GX 160 RT2	GX 160 RT2X			
14	16576-891-000	HOLDER, CABLE	1	1	1	1	1	1	-----	HH26, HH26/A, HHQ4, HX2, HX2/A, HX4, HX4/A, HXE8, HXE8/A, HXU LHN4, LHN4/A, LHQ4, LX2, LX2/A, LX26, LX4, LX4/A, LXM2, LXM2/A LXU, QA2, QA2/A, QA26, QAX2, QAX4, QAX4/A, QBC2, QBM2, QBM2/A QBT6, QC9, QC9/A, QCB2, QCL, QCM, QCM/A, QGR9, QGR9/A, QH26 QH26/A, QHG4, QHG4/A, QHQ4, QHQ4/A, QHQ4, QKA4, QMC6, QMC6/A QMC8, QMC8/A, QMD6, QMD6/A, QME4, QME4/A, QMP4, QMX2, QMX2/A QMXX, QMXX2, QNT, QNT4, QPU, QW24, QWA4, QWA4/A, QWW2, QWX2 QWX2/A, QX2, QX2/A, QX26, QX4, QX4/A, QX7, QX9, QX9/A, QXC4 QXC9, QXE2, QXE2/A, QXE4, QXE5, QXE5/A, QXE8, QXE8, QXF2, QXGB QXM2, QXP2, QXS2, QXS2/A, QXU, QXU/A, QXW, QXWE, QXWE/A, RH2 RH2/A, RHG4, RHG4/A, RHQ4, RHQ4/A, RTB2, RX4, RX4/A, RXE2 RXE2/A, RXP2, RXU, RXU/A, S1CY, S1CY/A, SCM, SCM/A, SD16 SD16/A, SG22, SG24, SG24/A, SHCC, SHCC/A, SHQ4, SHQ4/A, SHQU SHRY, SHRY/A, SMC7, SMC7/A, SMC9, SMC9/A, SMM2, SMM2/A, SMX4 SMX4/A, SMXC, SMXC, SMXE/A, SSS2, SSS2/A, SWG4, SWG4/A, SWX2 SWX2/A, SX2, SX4, SX4/A, SX7, SX9, SX9/A, SXE4, SXE5, SXE5/A XSX, XSX2, XSX4, XSX4/A, SXU, SXU/A, VCG, VCG/A, VG24, VG25 VG25/A, VG29, WKT2, WKT2/A, WKT4, WKT4	
15	16578-ZE1-000	SPACER, CONTROL LEVER	1	1	1	1	1	1	-----	HH26, HH26/A, HHQ4, HX2, HX2/A, HX4, HX4/A, HXE8, HXE8/A, HXU LHN4, LHN4/A, LHQ4, LX2, LX2/A, LX26, LX4, LX4/A, LXM2, LXM2/A LXU, PXU, PXU/A, QA2, QA2/A, QA26, QAX2, QAX4, QAX4/A, QBC2 QBM2, QBM2/A, QBT6, QC9, QC9/A, QCB2, QCL, QCM, QCM/A, QGR9 QGR9/A, QH26, QH26/A, QHG4, QHG4/A, QHQ4, QHQ4/A, QHQ4, QKA4 QMC6, QMC6/A, QMC8, QMC8/A, QMD6, QMD6/A, QME4, QME4/A, QMP4 QMX2, QMX2/A, QMXX, QMXX2, QNT, QNT4, QPU, QW24, QWA4, QWA4/A QWW2, QWX2, QWX2/A, QX2, QX2/A, QX26, QX4, QX4/A, QX7, QX9 QX9/A, QXC4, QXC9, QXE2, QXE2/A, QXE4, QXE5, QXE5/A, QXE8 QXE8, QXF2, QXGB, QXM2, QXP2, QXS2, QXS2/A, QXU, QXU/A, QXW QXWE, QXWE/A, RH2, RH2/A, RHG4, RHG4/A, RHQ4, RHQ4/A, RTB2 RX4, RX4/A, RXE2, RXE2/A, RXP2, RXU, RXU/A, S1CY, S1CY/A, SCM SCM/A, SD16, SD16/A, SG22, SG24, SG24/A, SHCC, SHCC/A, SHQ4 SHQ4/A, SHQU, SHRY, SHRY/A, SMC7, SMC7/A, SMC9, SMC9/A, SMM2 SMM2/A, SMX4, SMX4/A, SMXC, SMXC, SMXE/A, SSS2, SSS2/A, SWG4 SWG4/A, SWX2, SWX2/A, SX2, SX4, SX4/A, SX7, SX9, SX9/A, SXE4 SXE5, SXE5/A, XSX, XSX2, XSX4, XSX4/A, SXU, SXU/A, TCS2, TW24 TX2, TX2/A, TX26, TX4, TX4/A, TXC9, TXDU, TXDU/A, TXU, UXU UXU/A, VA2, VA2/A, VCG, VCG/A, VG24, VG25, VG25/A, VG29, VX2 VX2/A, VX4, VXE9, VXE9/A, VXW2, WKS, WKS/A, WKT2, WKT2/A, WKT4 WKT6, WMB0, WMB0/A, WMT4, WMT4/A	
16	16580-ZH8-813	BASE COMP., CONTROL(REMOTE) ..	1	-	-	1	-	-	-----	HH26, HHQ4, HX2, HX4, HXE8, HXU, LHQ4, LX2, LX26, LX4, LXU, QA2 QA26, QAX2, QAX4, QBC2, QBM2, QBT6, QCB2, QCL, QGR9, QH26, QHG4 QHQ4, QHQ4, QKA4, QMC6, QMC8, QMD6, QME4, QMP4, QMXX2, QNT, QPU QW24, QWA4, QWW2, QWX2, QX2, QX26, QX4, QX7, QX9, QXE2, QXE4 QXE5, QXE8, QXF2, QXP2, QXS2, QXU, QXW, QXWE, RH2, RHG4, RHQ4 RTB2, RX4, RXE2, RXP2, RXU, SD16, SG22, SG24, SHQ4, SHQU, SMC7 SMC9, SSS2, SWG4, SWX2, SX2, SX4, SX7, SX9, SXE4, SXE5, XSX XSX2, XSX4, SXU, VG24, WKT2, WKT4, WKT6	
	16580-ZH8-030	BASE COMP., CONTROL	1	-	-	-	-	-	-----	PXU, TCS2, TW24, TX2, TX26, TX4, TXDU, TXU, UXU, VA2, VX2, VX4 VXE9, VXW2, WKS, WMB0	
	16580-ZH8-853	BASE COMP., CONTROL(CYCLONE) (###)	1	-	-	-	-	-	-----	QNT4, QXC4, QXC9, TXC9, VG29	



E-22

CONTROL

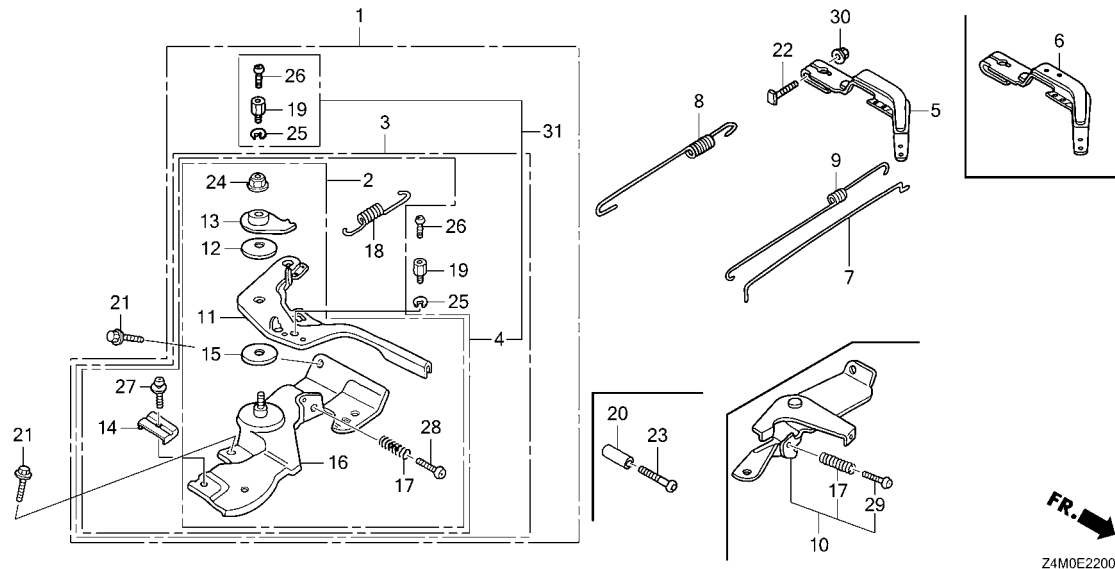


Ref. No.	Part No.	Description	Reqd. QTY						Serial No.	Parts catalogue code
			GX 160 UT1	GX 160 UT2	GX 160 UT2X	GX 160 RT1	GX 160 RT2	GX 160 RT2X		
16)	16580-Z4M-810	BASE COMP., CONTROL	-	1	1	-	1	1	-----	HH26, HH26/A, HHQ4, HX2, HX2/A, HX4, HX4/A, HXE8, HXE8/A, LHN4, LHN4/A, LHQ4, LX2, LX2/A, LX4, LX4/A, LXM2, LXM2/A, QA2, QA2/A, QAX2, QAX4, QAX4/A, QBC2, QBM2, QBM2/A, QGR9, QGR9/A, QH26, QH26/A, QHG4, QHG4/A, QHQ4, QHQ4/A, QMC6, QMC6/A, QMC8, QMC8/A, QMD6, QMD6/A, QME4, QME4/A, QMP4, QMX2, QMX2/A, QPU, QWA4, QWA4/A, QWX2, QWX2/A, QX2, QX2/A, QX4, QX4/A, QX9, QX9/A, QXE2, QXE2/A, QXE5, QXE5/A, QXE8, QXE8, QXEB, QXGB, QXM2, QXS2, QXS2/A, QXU, QXU/A, QXWE, QXWE/A, RH2, RH2/A, RHG4, RHG4/A, RHQ4, RHQ4/A, RX4, RX4/A, RXE2, RXE2/A, RXU, RXU/A, S1CY, S1CY/A, SD16, SD16/A, SG24, SG24/A, SHCC, SHCC/A, SHQ4, SHQ4/A, SHRY, SHRY/A, SMC7, SMC7/A, SMC9, SMC9/A, SMW2, SMW2/A, SMX4, SMX4/A, SMXE, SMXE/A, SSX2, SSX2/A, SWG4, SWG4/A, SWX2, SWX2/A, SX4, SX4/A, SX9, SX9/A, SXE5, SXE5/A, SXS4, SXS4/A, SXU, SXU/A, VG25, VG25/A, WKT2, WKT2/A, PXU, PXU/A, TX2, TX2/A, TX4, TX4/A, TXDU, TXDU/A, UXU, UXU/A, VA2, VA2/A, VX2, VX2/A, VXE9, VXE9/A, WKS, WKS/A, WMB0, WMB0/A, WMT4, WMT4/A
	16580-Z4M-000	-	1	1	-	-	-	-----	QC9, QC9/A, QCM, QCM/A, SCM/A, VCG, VCG/A
	16580-Z0V-781	-	1	-	-	-	-	-----	QMXC, QXC9, SMXC, TXC9, VG29
	16580-Z4M-850	-	1	-	-	-	-	3002987	SCM
	16580-Z0V-780	-	1	-	-	-	-	3002988	SCM
	16580-Z0V-781	-	1	-	-	-	-	-----	QC9, QCM, SCM



Ref. No.	Part No.	Description	Reqd. QTY						Serial No.	Parts catalogue code
			GX 160 UT1	GX 160 UT2	GX 160 RT1	GX 160 RT2	GX 160 RT2X	GX 160 RT2X		
17	16584-883-300	SPRING, CONTROL ADJUSTING	1	1	1	1	1	1	-----	HH26, HH26/A, HHQ4, HX2, HX2/A, HX4, HX4/A, HXE8, HXE8/A, HXU LHN4, LHN4/A, LHQ4, LX2, LX2/A, LX26, LX4, LX4/A, LXM2, LXM2/A LXU, PXU, PXU/A, QA2, QA2/A, QA26, QAX2, QAX4, QAX4/A, QBC2, QBM2, QBM2/A, QBT6, QC9, QC9/A, QCB2, QCL, QCM, QCM/A, QGR9, QGR9/A, QH26, QH26/A, QHG4, QHG4/A, QHQ4, QHQ4/A, QHQ4, QKA4, QMC6, QMC6/A, QMC8, QMC8/A, QMD6, QMD6/A, QME4, QME4/A, QMP4, QMX2, QMX2/A, QMXX, QMXX2, QNT, QNT4, QPU, QW24, QWA4, QWA4/A, QWW2, QWX2, QWX2/A, QX2, QX2/A, QX26, QX4, QX4/A, QX7, QX9, QX9/A, QXC4, QXC9, QXE2, QXE2/A, QXE4, QXE5, QXE5/A, QXE8, QXE8, QXF2, QXGB, QXM2, QXP2, QXS2, QXS2/A, QXU, QXU/A, QXW, QXWE, QXWE/A, RH2, RH2/A, RHG4, RHG4/A, RHQ4, RHQ4/A, RTB2, RX4, RX4/A, RXE2, RXE2/A, RXP2, RXU, RXU/A, S1CY, S1CY/A, SCM SCM/A, SD16, SD16/A, SG22, SG24, SG24/A, SHCC, SHCC/A, SHQ4, SHQ4/A, SHQU, SHRY, SHRY/A, SMC7, SMC7/A, SMC9, SMC9/A, SMW2, SMW2/A, SMX4, SMX4/A, SMXC, SMXE, SMXE/A, SXS2, SXS2/A, SWG4, SWG4/A, SWX2, SWX2/A, SX2, SX4, SX4/A, SX7, SX9, SX9/A, SXE4, SXE5, SXE5/A, SXS, SXS2, SXS4, SXS4/A, SXU, SXU/A, TCS2, TW24, TX2, TX2/A, TX26, TX4, TX4/A, TXC9, TXDU, TXDU/A, TXU, UXU, UXU/A, VA2, VA2/A, VCG, VCG/A, VG24, VG25, VG25/A, VG29, VGE2, VGE4, VGE5, VHA9, VHH4, VHH4/A, VMS4, VPM4, VPM5, VPM8, VPM9, VPMN, VPR4, VPR9, VS17, VS19, VSD, VSD1, VSD2, VSD7, VSD9, VSD9/A, VWA2, VX2, VX2/A, VX4, VXE9, VXE9/A, VXU1, VXU1/A, VXX2, WKS, WKS/A, WKT2, WKT2/A, WKT4, WKT6, WMB0, WMB0/A, WMT4, WMT4/A
18	16592-ZE1-810	SPRING, CABLE RETURN	1	1	1	1	1	1	-----	HH26, HH26/A, HHQ4, HX2, HX2/A, HX4, HX4/A, HXE8, HXE8/A, HXU LHN4, LHN4/A, LHQ4, LX2, LX2/A, LX26, LX4, LX4/A, LXM2, LXM2/A LXU, QA2, QA2/A, QA26, QAX2, QAX4, QAX4/A, QBC2, QBM2, QBM2/A, QBT6, QC9, QC9/A, QCB2, QCL, QCM, QCM/A, QGR9, QGR9/A, QH26, QH26/A, QHG4, QHG4/A, QHQ4, QHQ4/A, QHQ4, QKA4, QMC6, QMC6/A, QMC8, QMC8/A, QMD6, QMD6/A, QME4, QME4/A, QMP4, QMX2, QMX2/A, QMXX, QMXX2, QNT, QNT4, QPU, QW24, QWA4, QWA4/A, QWW2, QWX2, QWX2/A, QX2, QX2/A, QX26, QX4, QX4/A, QX7, QX9, QX9/A, QXC4, QXC9, QXE2, QXE2/A, QXE4, QXE5, QXE5/A, QXE8, QXE8, QXF2, QXGB, QXM2, QXP2, QXS2, QXS2/A, QXU, QXU/A, QXW, QXWE, QXWE/A, RH2, RH2/A, RHG4, RHG4/A, RHQ4, RHQ4/A, RTB2, RX4, RX4/A, RXE2, RXE2/A, RXP2, RXU, RXU/A, S1CY, S1CY/A, SCM, SCM/A, SD16, SD16/A, SG22, SG24, SG24/A, SHCC, SHCC/A, SHQ4, SHQ4/A, SHQU, SHRY, SHRY/A, SMC7, SMC7/A, SMC9, SMC9/A, SMW2, SMW2/A, SMX4, SMX4/A, SMXC, SMXE, SMXE/A, SXS2, SXS2/A, SWG4, SWG4/A, SWX2, SWX2/A, SX2, SX4, SX4/A, SX7, SX9, SX9/A, SXE4, SXE5, SXE5/A, SXS, SXS2, SXS4, SXS4/A, SXU, SXU/A, VCG, VCG/A, VG24, VG25, VG25/A, VG29, WKT2, WKT2/A, WKT4, WKT6
19	16594-883-010	HOLDER, WIRE	1	-	-	-	-	-	-----	QBC2, QBM2, QMC8, QMD6, QME4, QMP4, QMXX2, QWA4, QXC4, QXC9, QXW, QXWE, SG22, SG24, SMC7, SMC9, VG24, VG29, WKT2, WKT4, WKT6
			2	-	-	-	-	-	-----	QNT, QNT4
			-	1	-	-	-	-	-----	LHN4, LHN4/A, QBC2, QBM2, QBM2/A, QC9, QC9/A, QCM, QCM/A, QMC8, QMC8/A, QMD6, QMD6/A, QME4, QME4/A, QMP4, QMX2, QMX2/A, QMXX, QWA4, QWA4/A, QXC9, QXWE, QXWE/A, S1CY, S1CY/A, SG24, SG24/A, SHCC, SHCC/A, SMC7, SMC7/A, SMC9, SMC9/A, SMW2, SMW2/A, SMXC, VCG, VCG/A, VG25, VG25/A, VG29, WKT2, WKT2/A
			-	2	-	-	-	-	-----	SCM/A, SHRY, SHRY/A, SMX4, SMX4/A, SMXE, SMXE/A
			-	1	-	-	-	-	-----	SCM
			-	2	-	-	-	-	-----	3002988
			-	-	1	-	-	-	-----	SCM
			-	-	1	-	-	-	-----	QBM2, QC9, QCM, QMC8, QMD6, QME4, QMX2, QWA4, QXWE, S1CY, SG24, SHCC, SMC7, SMW2, VG25, WKT2
			-	-	2	-	-	-	-----	SCM, SHRY, SMX4, SMXE
			-	-	-	1	1	-	-----	SWG4, SWG4/A





Ref. No.	Part No.	Description	Reqd. QTY						Serial No.	Parts catalogue code
			GX 160 UT1	GX 160 UT2	GX 160 UT2X	GX 160 RT1	GX 160 RT2	GX 160 RT2X		
20	16599-ZG1-M10	COLLAR, STOPPER.....	(1)	(1)	(1)	(1)	(1)	(1)	-----	HHQ4, HX4, HX4/A, LHN4, LHN4/A, LHQ4, LX4, LX4/A, QHG4, QHG4/A, QHQ4, QHQ4/A, QHQU, QKA4, QMC6, QMC6/A, QMC8, QMC8/A, QMD6, QMD6/A, QME4, QME4/A, QMP4, QNT, QNT4, QW24, QWA4, QWA4/A, QWW2, QX4, QX4/A, QX7, QX9, QX9/A, QXE4, QXE5, QXE5/A, QXEB, QXW, QXWE, QXWE/A, RHG4, RHG4/A, RHQ4, RHQ4/A, RX4, RX4/A, S1CY, S1CY/A, SG22, SG24, SG24/A, SHCC, SHCC/A, SHQ4, SHQ4/A, SHQU, SMC7, SMC7/A, SMC9, SMC9/A, SMX4, SMX4/A, SMXE, SMXE/A, SWG4, SWG4/A, SWX2, SWX2/A, SX2, SX4, SX4/A, SX7, SX9, SX9/A, SXE4, SXE5, SXE5/A, SXS, SXS2, SXS4, SXS4/A, TW24, TX4, TX4/A, VCG, VCG/A, VG24, VG25, VG25/A, VG29, VGE2, VGE4, VGE5, VHA9, VHH4, VHH4/A, VMS4, VPM4, VPM5, VPM8, VPM9, VPMN, VPR4, VPR9, VS17, VS19, VSD, VSD1, VSD2, VSD7, VSD9, VSD9/A, VX4, VXE9, VXE9/A, WKT4, WMB0, WMB0/A

E-22

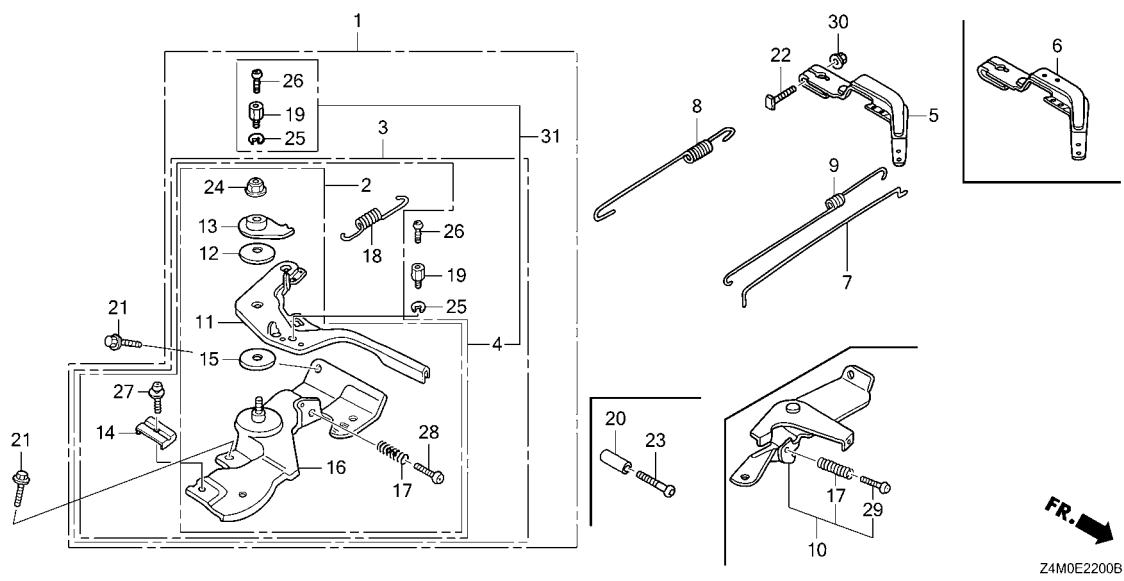
CONTROL

Ref. No.	Part No.	Description	Reqd. QTY						Serial No.	Parts catalogue code
			GX 160 UT1	GX 160 UT2	GX 160 UT2X	GX 160 RT1	GX 160 RT2	GX 160 RT2X		
21	90013-883-000	BOLT, FLANGE, 6X12(CT200).....	2	-	-	2	2	2	-----	HH26, HHQ4, HX2, HX4, HXE8, HXU, LHQ4, LX2, LX26, LX4, LXU, PXU, QA2, QA26, QAX2, QAX4, QBC2, QBM2, QBT6, QCB2, QCL, QGR9, QH26, QHG4, QHG4/A, QHQ4, QHQ4, QKA4, QMC6, QMC8, QMD6, QME4, QMP4, QMZ2, QNT, QNT4, QPU, QW24, QWA4, QWW2, QWX2, QX2, QX26, QX4, QX7, QX9, QXC4, QXC9, QXE2, QXE4, QXE5, QXE8, QXF2, QXP2, QXS2, QXU, QXW, QXWE, RH2, RHG4, RHG4/A, RHQ4, RTB2, RX4, RXE2, RXP2, RXU, SD16, SG22, SG24, SHQ4, SHQU, SMC7, SMC9, SSX2, SWG4, SWG4/A, SWX2, SX2, SX4, SX7, SX9, SXE4, SXE5, SXS, SXS2, SXS4, SXU, TCS2, TW24, TX2, TX26, TX4, TXC9, TXDU, TXU, UXU, VA2, VG24, VG29, VGE2, VGE4, VGE5, VHA9, VHH4, VHH4/A, VMS4, VPM4, VPM5, VPM8, VPM9, VPMN, VPR4, VPR9, VS17, VS19, VSD, VSD1, VSD2, VSD7, VSD9, VWA2, VX2, VX4, VXE9, VXU1, VXXW2, WKS, WKT2, WKT4, WKT6, WMB0
			-	2	2	-	-	-	-----	HH26, HH26/A, HHQ4, HX2, HX2/A, HX4, HX4/A, HXE8, HXE8/A, LHN4, LHN4/A, LHQ4, LX2, LX2/A, LX4, LX4/A, LXM2, LXM2/A, PXU, PXU/A, QA2, QA2/A, QAX2, QAX4, QAX4/A, QC9, QC9/A, QCM, QCM/A, QGR9, QGR9/A, QH26, QH26/A, QHQ4, QHQ4/A, QMC6, QMC6/A, QMC8, QMC8/A, QMD6, QMD6/A, QME4, QME4/A, QMP4, QMP4/A, QMX2, QMX2/A, QMXX, QPU, QWA4, QWA4/A, QWX2, QWX2/A, QX2, QX2/A, QX4, QX4/A, QX9, QX9/A, QXC9, QXE2, QXE2/A, QXE5, QXE5/A, QXE8, QXEB, QXGB, QXM2, QXS2, QXS2/A, QXU, QXU/A, QXWE, QXWE/A, RH2, RH2/A, RHQ4, RHQ4/A, RX4, RX4/A, RXE2, RXE2/A, RXU, RXU/A, S1CY, S1CY/A, SCM, SCM/A, SD16, SD16/A, SG24, SG24/A, SHCC, SHCC/A, SHQ4, SHQ4/A, SHRY, SHRY/A, SMC7, SMC7/A, SMC9, SMC9/A, SMM2, SMM2/A, SMX4, SMX4/A, SMXC, SMXE, SMXE/A, SSX2, SSX2/A, SWX2, SWX2/A, SX4, SX4/A, SX9, SX9/A, SXE5, SXE5/A, SXS4, SXS4/A, SXU, SXU/A, TX2, TX2/A, TX4, TX4/A, TXC9, TXDU, TXDU/A, UXU, UXU/A, VA2, VA2/A, VCG, VCG/A, VG25, VG25/A, VG29, VSD9, VSD9/A, VX2, VX2/A, VXE9, VXE9/A, VXU1, VXU1/A, WKS, WKS/A, WKT2, WKT2/A, WMB0, WMB0/A, WMT4, WMT4/A
22	90015-ZE5-010 90015-Z5T-000	BOLT, GOVERNOR ARM.....	1	-	-	1	-	-	-----	EMAN/A, HH26/A, HX2/A, HX4/A, HXE8/A, LHN4/A, LX2/A, LX4/A, LXM2/A, PXU/A, QA2/A, QAX4/A, QBM2/A, QC9, QC9/A, QCM, QCM/A, QGR9/A, QH26/A, QHG4/A, QHQ4/A, QMC6/A, QMC8/A, QMD6/A, QME4/A, QMX2/A, QMXX, QWA4/A, QWX2/A, QX2/A, QX4/A, QX9/A, QXE2/A, QXE5/A, QXEB, QXGB, QXS2/A, QXU/A, QXWE/A, RH2/A, RHG4/A, RHQ4/A, RX4/A, RXE2/A, RXU/A, S1CY/A, SCM, SCM/A, SD16/A, SG24/A, SHCC, SHCC/A, SHQ4/A, SHRY/A, SMC7/A, SMC9/A, SMM2/A, SMX4/A, SMXC, SMXE/A, SSX2/A, SWG4/A, SWX2/A, SX4/A, SX9/A, SXE5/A, SXS4/A, SXU/A, TX2/A, TX4/A, TXDU/A, UXU/A, VA2/A, VCG, VCG/A, VES6/A, VG25, VG25/A, VHH4/A, VSD9/A, VMS1, VMS1/A, VWWN/A, VX2/A, VXE9/A, VXU1/A, WKS/A, WKT2/A, WMB0/A, WMT4/A
	90015-ZE5-010	-	1	-	-	-	-	-----	1451907 LHQ4, LX2, LX4, LXM2, PXU, QA2, QBC2, QBM2, QGR9, QH26, QHQ4, QMC6, QMC8, QMD6, QME4, QMP4, QPU, QWA4, QWX2, QX2, QX4, QX9, QXE2, QXM2, QXS2, QXU, SD16, SG24, SHQ4, SMC7, SMC9, SMX4, SMXE, SWX2, SX4, SX9, SXS4, SXU, TX2, TX4, TXDU, VA2, VSD9, VX2, VXE9, VXU1, WKS, WKT2
			-	1	-	-	-	-	-----	1453971 HH26, HHQ4, HX2, HX4, HXE8, LHN4, QAX2, QAX4, QMX2, QXC9, QXE5, QXE8, QXWE, RH2, RHQ4, RX4, RXE2, RXU, S1CY, SHRY, SMM2, SSX2, SXE5, TXC9, UXU, VG29, WMB0, WMT4



E-22

CONTROL

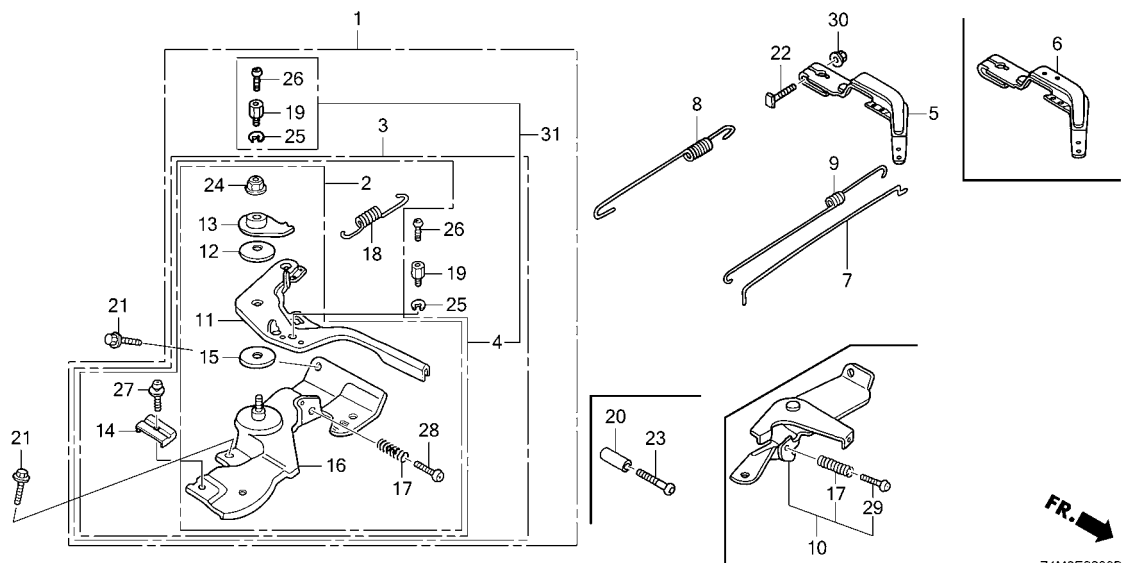


Ref. No.	Part No.	Description	Reqd. QTY						Serial No.	Parts catalogue code
			GX 160 UT1	GX 160 UT2	GX 160 UT2X	GX 160 RT1	GX 160 RT2	GX 160 RT2X		
22)	90015-Z5T-000	BOLT, GOVERNOR ARM	-	1	-	-	-	-	1451908	LHQ4, LX2, LX4, LXM2, PXU, QA2, QBC2, QBM2, QGR9, QH26, QHQ4, QMC6, QMC8, QMD6, QME4, QMP4, QPU, QWA4, QWX2, QX2, QX4, QX9, QXE2, QXM2, QXS2, QXU, SD16, SG24, SHQ4, SMC7, SMC9, SMX4, SMXE, SWX2, SX4, SX9, SXS4, SXU, TX2, TX4, TXDU, VA2, VSD9, VX2, VXE9, VXU1, WKS, WKT2
			-	1	-	-	-	-	1453972	HH26, HHQ4, HX2, HX4, HXE8, LHN4, QAX2, QAX4, QMX2, QXC9, QXE5, QXE8, QXWE, RH2, RHQ4, RX4, RXE2, RXU, S1CY, SHRY, SMW2, SSX2, SXE5, TXC9, UXU, VG29, WMB0, WMT4
	90015-ZE5-010		-	-	1	-	-	1	1464622	EMAN, QHG4, RHG4, SWG4, VES6, VGE4, VGE5, VHH4, VPM5, VS19, VWS, VWWN
	90015-Z5T-000		-	-	-	-	1	-	1464623	EMAN, QHG4, RHG4, SWG4, VES6, VGE4, VGE5, VHH4, VPM5, VS19, VWS, VWWN
23	90016-ZG9-N30	SCREW, RECESSED, 5X25	(1)	(1)	(1)	(1)	(1)	(1)		HHQ4, HX4, HX4/A, LHN4, LHN4/A, LHQ4, LX4, LX4/A, QHG4, QHG4/A, QHQ4, QHQ4/A, QHQU, QKA4, QMC6, QMC6/A, QMC8, QMC8/A, QMD6, QMD6/A, QME4, QME4/A, QMP4, QNT, QNT4, QW24, QWA4, QWA4/A, QWW2, QX4, QX4/A, QX7, QX9, QX9/A, QXE4, QXE5, QXE5/A, QXEB, QXW, QXWE, QXWE/A, RHG4, RHG4/A, RHQ4, RHQ4/A, RX4, RX4/A, S1CY, S1CY/A, SG22, SG24, SG24/A, SHCC, SHCC/A, SHQ4, SHQ4/A, SHQU, SMC7, SMC7/A, SMC9, SMC9/A, SMX4, SMX4/A, SMXE, SMXE/A, SWG4, SWG4/A, SWX2, SWX2/A, SX2, SX4, SX4/A, SX7, SX9, SX9/A, SXE4, SXE5, SXE5/A, SXS, SXS2, SXS4, SXS4/A, TW24, TX4, TX4/A, VCG, VCG/A, VG24, VG25, VG25/A, VG29, VGE2, VGE4, VGE5, VHA9, VHH4, VHH4/A, VMS4, VPM4, VPM5, VPM8, VPM9, VPMN, VPR4, VPR9, VS17, VS19, VSD, VSD1, VSD2, VSD7, VSD9, VSD9/A, VX4, VXE9, VXE9/A, WKT4, WMB0, WMB0/A



Ref. No.	Part No.	Description	Reqd. QTY						Serial No.	Parts catalogue code	
			GX 160 UT1	GX 160 UT2	GX 160 UT2X	GX 160 RT1	GX 160 RT2	GX 160 RT2X			
24	90114-SA0-000	NUT, SELF-LOCK, 6MM.....	1	1	1	1	1	1	-----	HH26, HH26/A, HHQ4, HX2, HX2/A, HX4, HX4/A, HXE8, HXE8/A, HXU LHN4, LHN4/A, LHQ4, LX2, LX2/A, LX26, LX4, LX4/A, LXM2, LXM2/A LXU, PXU, PXU/A, QA2, QA2/A, QA26, QAX2, QAX4, QAX4/A, QBC2 QBM2, QBM2/A, QBT6, QC9, QC9/A, QCB2, QCL, QCM, QCM/A, QGR9 QGR9/A, QH26, QH26/A, QHG4, QHG4/A, QHQ4, QHQ4/A, QHQU, QKA4 QMC6, QMC6/A, QMC8, QMC8/A, QMD6, QMD6/A, QME4, QME4/A, QMP4 QMX2, QMX2/A, QMXX, QM22, QNT, QNT4, QPU, QW24, QWA4, QWA4/A QWW2, QWX2, QWX2/A, QX2, QX2/A, QX26, QX4, QX4/A, QX7, QX9 QX9/A, QXC4, QXC9, QXE2, QXE2/A, QXE4, QXE5, QXE5/A, QXE8 QXEB, QXF2, QXGB, QXM2, QXP2, QXS2, QXS2/A, QXU, QXU/A, QXW QXWE, QXWE/A, RH2, RH2/A, RHG4, RHG4/A, RHQ4, RHQ4/A, RTB2 RX4, RX4/A, RXE2, RXE2/A, RXP2, RXU, RXU/A, S1CY, S1CY/A, SCM SCM/A, SD16, SD16/A, SG22, SG24, SG24/A, SHCC, SHCC/A, SHQ4 SHQ4/A, SHQU, SHRY, SHRY/A, SMC7, SMC7/A, SMC9, SMC9/A, SMW2 SMW2/A, SMX4, SMX4/A, SMXC, SMXE, SMXE/A, SXS2, SXS2/A, SWG4 SWG4/A, SWX2, SWX2/A, SX2, SX4, SX4/A, SX7, SX9, SX9/A, SXE4 SXE5, SXE5/A, SXS, SXS2, SXS4, SXS4/A, SXU, SXU/A, TCS2, TW24 TX2, TX2/A, TX26, TX4, TX4/A, TXC9, TXDU, TXDU/A, TXU, UXU UXU/A, VA2, VA2/A, VCG, VCG/A, VG24, VG25, VG25/A, VG29, VX2 VX2/A, VX4, VXE9, VXE9/A, VXW2, WKS, WKS/A, WKT2, WKT2/A, WKT4 WKT6, WMB0, WMB0/A, WMT4, WMT4/A	
	90202-Z1T-000	1	-	-	-	-	-	2795882	-----	QBC2, QBM2, QMC8, QMD6, QME4, QMP4, QM22, QWA4, SG22, SG24 SMC7, SMC9, VG24, WKT2, WKT4, WKT6
			-	1	1	-	1	1	-----	-----	HH26, HH26/A, HX2, HX2/A, HX4, HX4/A, HXE8, HXE8/A, LX2, LX2/A LX4, LX4/A, LXM2, LXM2/A, PXU, PXU/A, QA2, QA2/A, QAX4, QAX4/A QBM2, QBM2/A, QC9, QC9/A, QCM, QCM/A, QGR9, QGR9/A, QH26 QH26/A, QHG4, QHG4/A, QHQ4, QHQ4/A, QMC6, QMC6/A, QMC8 QMC8/A, QMD6, QMD6/A, QME4, QME4/A, QMX2, QMX2/A, QWA4 QWA4/A, QWX2, QWX2/A, QX2, QX2/A, QX4, QX4/A, QX9, QX9/A, QXE2 QXE2/A, QXE5, QXE5/A, QXEB, QXGB, QXS2, QXS2/A, QXU, QXU/A QXWE, QXWE/A, RH2, RH2/A, RHG4, RHG4/A, RHQ4, RHQ4/A, RX4 RX4/A, RXE2, RXE2/A, S1CY, S1CY/A, SCM, SCM/A, SD16, SD16/A SG24, SG24/A, SHCC, SHCC/A, SHQ4, SHQ4/A, SHRY, SHRY/A, SMC7 SMC7/A, SMC9, SMC9/A, SMW2, SMW2/A, SMX4, SMX4/A, SMXE SMXE/A, SXS2, SXS2/A, SWX2, SWX2/A, SX4, SX4/A, SXE5, SXE5/A SXS4, SXS4/A, SXU, SXU/A, TX2, TX2/A, TX4, TX4/A, TXDU, TXDU/A UXU, UXU/A, VA2, VA2/A, VCG, VCG/A, VG25, VG25/A, VXE9, VXE9/A WKS, WKS/A, WKT2, WKT2/A, WMB0, WMB0/A, WMT4, WMT4/A
25	90605-230-000	CIRCLIP, 5MM.....	1	-	-	-	-	-	-----	-----	QBC2, QBM2, QMC8, QMD6, QME4, QMP4, QM22, QWA4, QXC4, QXC9, QXW QXWE, SG22, SG24, SMC7, SMC9, VG24, VG29, WKT2, WKT4, WKT6 QNT, QNT4
	90605-Z1T-000	-	1	1	-	-	-	-----	-----	QBM2, QBM2/A, QC9, QC9/A, QCM, QCM/A, QMC8, QMC8/A, QMD6 QMD6/A, QME4, QME4/A, QMX2, QMX2/A, QWA4, QWA4/A, QXWE QXWE/A, S1CY, S1CY/A, SG24, SG24/A, SHCC, SHCC/A, SMC7 SMC7/A, SMC9, SMC9/A, SMW2, SMW2/A, VCG, VCG/A, VG25, VG25/A WKT2, WKT2/A
			-	2	2	-	-	-	-----	-----	SCM, SCM/A, SHRY, SHRY/A, SMX4, SMX4/A, SMXE, SMXE/A





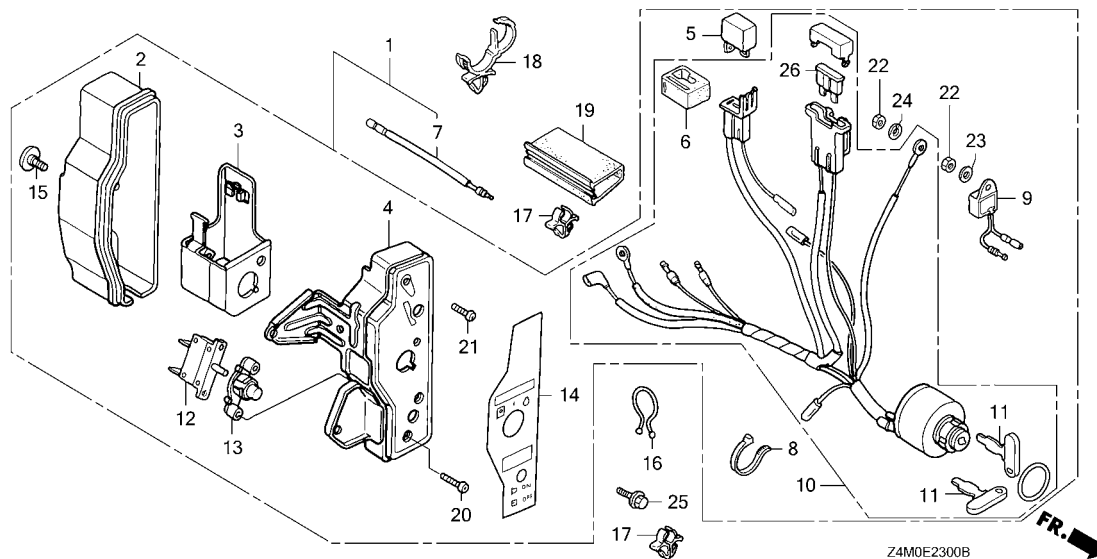
Ref. No.	Part No.	Description	Reqd. QTY						Serial No.	Parts catalogue code
			GX 160 UT1	GX 160 UT2	GX 160 UT2X	GX 160 RT1	GX 160 RT2	GX 160 RT2X		
25)	90605-230-000	CIRCLIP, 5MM.....	-	1	-	-	-	-	-	LHN4, LHN4/A, QBC2, QBM2, QBM2/A, QC9, QC9/A, QCM, QCM/A, QMC8, QMC8/A, QMD6, QMD6/A, QME4, QME4/A, QMP4, QMX2, QMX2/A, QMXC, QWA4, QWA4/A, QXC9, QXWE, QXWE/A, S1CY, S1CY/A, SG24, SG24/A, SHCC, SHCC/A, SMC7, SMC7/A, SMC9, SMC9/A, SMW2, SMW2/A, SMXC, VCG, VCG/A, VG25, VG25/A, VG29, WKT2, WKT2/A, SCM/A, SHRY, SHRY/A, SMX4, SMX4/A, SMXE, SMXE/A
			-	2	-	-	-	-	3002987	SCM
			-	1	-	-	-	-	3002988	SCM
			-	2	-	-	-	-		QBM2, QC9, QCM, QMC8, QMD6, QME4, QMX2, QWA4, QXWE, S1CY, SG24, SHCC, SMC7, SMW2, VG25, WKT2
			-	-	1	-	-	-		SCM, SHRY, SMX4, SMXE
			-	-	-	1	1	-		SWG4, SWG4/A
26	93500-04006-0H	SCREW, PAN, 4X6.....	1	-	-	-	-	-	-	QBC2, QBM2, QMC8, QMD6, QME4, QMP4, QMZ2, QWA4, QXC4, QXC9, QXWE, SG22, SG24, SMC7, SMC9, VG24, VG29, WKT2, WKT4, WKT6, QNT, QNT4
			-	2	-	-	-	-	-	LHN4, LHN4/A, QBC2, QBM2, QBM2/A, QC9, QC9/A, QCM, QCM/A, QMC8, QMC8/A, QMD6, QMD6/A, QME4, QME4/A, QMP4, QMX2, QMX2/A, QMXC, QWA4, QWA4/A, QXC9, QXWE, QXWE/A, S1CY, S1CY/A, SG24, SG24/A, SHCC, SHCC/A, SMC7, SMC7/A, SMC9, SMC9/A, SMW2, SMW2/A, SMXC, VCG, VCG/A, VG25, VG25/A, VG29, WKT2, WKT2/A, SCM/A, SHRY, SHRY/A, SMX4, SMX4/A, SMXE, SMXE/A
			-	1	-	-	-	-	3002987	SCM
			-	2	-	-	-	-	3002988	SCM
			-	-	1	-	-	-		QBM2, QC9, QCM, QMC8, QMD6, QME4, QMX2, QWA4, QXWE, S1CY, SG24, SHCC, SMC7, SMW2, VG25, WKT2
			-	-	2	-	-	-		SCM, SHRY, SMX4, SMXE
			-	-	-	1	1	-		SWG4, SWG4/A

Ref. No.	Part No.	Description	Reqd. QTY						Serial No.	Parts catalogue code
			GX 160 UT1	GX 160 UT2	GX 160 UT2X	GX 160 RT1	GX 160 RT2	GX 160 RT2X		
27	93500-05016-0A	SCREW, PAN, 5X16	1	1	1	1	1	1	HH26, HH26/A, HHQ4, HX2, HX2/A, HX4, HX4/A, HXE8, HXE8/A, HXU LHN4, LHN4/A, LHQ4, LX2, LX2/A, LX26, LX4, LX4/A, LXM2, LXM2/A LXU, QA2, QA2/A, QA26, QAX2, QAX4, QAX4/A, QBC2, QBM2, QBM2/A QBT6, QC9, QC9/A, QCB2, QCL, QCM, QCM/A, QGR9, QGR9/A, QH26 QH26/A, QHG4, QHG4/A, QHQ4, QHQ4/A, QHQU, QKA4, QMC6, QMC6/A QMC8, QMC8/A, QMD6, QMD6/A, QME4, QME4/A, QMP4, QMP4/A, QMX2, QMX2/A QMXX, QMXX, QNT, QNT4, QPU, QW24, QWA4, QWA4/A, QWW2, QWX2 QWX2/A, QX2, QX2/A, QX26, QX4, QX4/A, QX7, QX9, QX9/A, QXC4 QXC9, QXE2, QXE2/A, QXE4, QXE5, QXE5/A, QXE8, QXE8, QXF2, QXGB QXM2, QXP2, QXS2, QXS2/A, QXU, QXU/A, QXW, QXWE, QXWE/A, RH2 RH2/A, RHG4, RHG4/A, RHQ4, RHQ4/A, RTB2, RX4, RX4/A, RXE2 RXE2/A, RXP2, RXU, RXU/A, S1CY, S1CY/A, SCM, SCM/A, SD16 SD16/A, SG22, SG24, SG24/A, SHCC, SHCC/A, SHQ4, SHQ4/A, SHQU SHRY, SHRY/A, SMC7, SMC7/A, SMC9, SMC9/A, SMM2, SMM2/A, SMX4 SMX4/A, SMXC, SMXE, SMXE/A, SSS2, SSS2/A, SWG4, SWG4/A, SWX2 SWX2/A, SX2, SX4, SX4/A, SX7, SX9, SX9/A, SXE4, SXE5, SXE5/A SXS, SXS2, SXS4, SXS4/A, SXU, SXU/A, VCG, VCG/A, VG24, VG25 VG25/A, VG29, WKT2, WKT2/A, WKT4, WKT4	
28	93500-05025-0H	SCREW, PAN, 5X25	1	-	-	1	1	1	HH26, HHQ4, HX2, HX4, HXE8, HXU, LHQ4, LX2, LX26, LX4, LXU, QA2 QA26, QAX2, QAX4, QBC2, QBM2, QBT6, QCB2, QCL, QGR9, QH26, QHG4 QHG4/A, QHQ4, QHQU, QKA4, QMC6, QMC8, QMD6, QME4, QMP4, QMXX QNT, QNT4, QPU, QW24, QWA4, QWW2, QWX2, QX2, QX26, QX4, QX7, QX9 QXC4, QXC9, QXE2, QXE4, QXE5, QXE8, QXF2, QXP2, QXS2, QXU, RH2 RHG4, RHG4/A, RHQ4, RTB2, RX4, RXE2, RXP2, RXU, SD16, SG22 SG24, SHQ4, SHQU, SMC7, SMC9, SSS2, SWG4, SWG4/A, SWX2, SX2 SX4, SX7, SX9, SXE4, SXE5, SXS, SXS2, SXS4, SXU, VG24, VG29 WKT2, WKT4, WKT6	
	93500-05025-0A		1	-	-	-	-	-	PXU, TCS2, TW24, TX2, TX26, TX4, TXC9, TXDU, TXU, UXU, VA2, VX2 VXW2, WKS, WMB0	
	93500-05020-0H	SCREW, PAN, 5X20	1	-	-	-	-	-	QXW, QXWE	
	93500-05032-0H	SCREW, PAN, 5X32	1	-	-	-	-	-	VX4, VXE9	
	93500-05025-0H	SCREW, PAN, 5X25	-	1	1	-	-	-	HH26, HH26/A, HHQ4, HX2, HX2/A, HX4, HX4/A, HXE8, HXE8/A, LHN4 LHN4/A, LHQ4, LX2, LX2/A, LX4, LX4/A, LXM2, LXM2/A, PXU, PXU/A QA2, QA2/A, QAX2, QAX4, QAX4/A, QBC2, QBM2, QBM2/A, QC9, QC9/A QCM, QCM/A, QGR9, QGR9/A, QH26, QH26/A, QHQ4, QHQ4/A, QMC6 QMC6/A, QMC8, QMC8/A, QMD6, QMD6/A, QME4, QME4/A, QMP4, QMX2 QMX2/A, QMXX, QPU, QWA4, QWA4/A, QWX2, QWX2/A, QX2, QX2/A, QX4 QX4/A, QX9, QX9/A, QXC9, QXE2, QXE2/A, QXE5, QXE5/A, QXE8 QXE8, QXGB, QXM2, QXS2, QXS2/A, QXU, QXU/A, QXWE, QXWE/A, RH2 RH2/A, RHQ4, RHQ4/A, RX4, RX4/A, RXE2, RXE2/A, RXU, RXU/A S1CY, S1CY/A, SCM, SCM/A, SD16, SD16/A, SG24, SG24/A, SHCC SHCC/A, SHQ4, SHQ4/A, SHRY, SHRY/A, SMC7, SMC7/A, SMC9 SMC9/A, SMM2, SMM2/A, SMX4, SMX4/A, SMXC, SMXE, SMXE/A, SSS2 SSS2/A, SWX2, SWX2/A, SX4, SX4/A, SX9, SX9/A, SXE5, SXE5/A SXS4, SXS4/A, SXU, SXU/A, TX2, TX2/A, TX4, TX4/A, TXC9, TXDU TXDU/A, UXU, UXU/A, VA2, VA2/A, VCG, VCG/A, VG25, VG25/A, VG29 VX2, VX2/A, VXE9, VXE9/A, WKS, WKS/A, WKT2, WKT2/A, WMB0 WMB0/A, WMT4, WMT4/A	
29	93500-05035-0A	SCREW, PAN, 5X35	1	1	1	-	1	-	VGE2, VGE4, VGE5, VHA9, VHH4, VHH4/A, VMS4, VPM4, VPM5, VPM8 VPM9, VPMN, VPR4, VPR9, VS17, VS19, VSD, VSD1, VSD2, VSD7, VSD9 VSD9/A, VXU1, VXU1/A	
	93500-05040-0G	SCREW, PAN, 5X40	1	-	-	-	-	-	VWA2	
30	94050-06000	NUT, FLANGE, 6MM	1	1	1	1	1	1		
31	16500-Z4M-890	CONTROL ASSY.(REMOTE INTL-S)	-	1	1	-	1	-	QXWE, QXWE/A, SHCC, SHCC/A, SWG4, SWG4/A	
	16500-Z4M-406	CONTROL ASSY.(REMOTE INTL-S) (COO)(FOR U.S.A.)	-	1	-	-	1	-	QXWE, SWG4	



E-23

CONTROL BOX



Ref. No.	L.O.N.	(Relative ref. Number) Description	F.R.T.
1	6221N7	BOX, ENGINE CONTROL	0.1
4	6221P7	PANEL, ENGINE CONTROL	0.2
5	6131B8	RECTIFIER, SILICON	0.1
9	6151K4	ALERT UNIT, ENGINE CONTROL OIL	0.2
10	6151E1	SWITCH, COMBINATION	0.2
12	6221D4	PROTECTOR, CIRCUIT	0.2
26	8121A7	FUSE, BLADE	0.1

Ref. No.	Part No.	Description	Reqd. QTY						Serial No.	Parts catalogue code
			GX 160 UT1	GX 160 UT2	GX 160 UT2X	GX 160 RT1	GX 160 RT2	GX 160 RT2X		
1	31610-Z4T-842ZB	BOX ASSY., CONTROL(EXP-ALERT) *R280*.....POWER RED	1	-	-	-	-	-	HXE8, QKA4, QXE4, QXE8, QXP2, RXE2, RXP2, SXE4	
	31610-Z4S-821ZA	BOX ASSY., CONTROL (EXP-ALERT/10A) *R280*.....POWER RED	1	-	-	-	-	-	QXE5, QXW, QXWE, SXE5	
	31610-Z4T-841ZA	BOX ASSY., CONTROL(EXP-ALERT) *NH1*.....BLACK	1	-	-	-	-	1929542	QXE2	
	31610-Z4T-841ZB	*R280*.....POWER RED	1	-	-	-	-	1929542	QXE2, VXE9	
	31610-Z4T-842ZA	*NH1*.....BLACK	1	-	-	-	-	1929543	QXE2	
	31610-Z4T-842ZB	*R280*.....POWER RED	1	-	-	-	-	1929543	QXE2, VXE9	
	31610-Z4M-801ZA	BOX ASSY., CONTROL *R280*.....POWER RED	-	1	1	-	-	-	QXEB	
	31610-Z4M-801ZB	*NH1*.....BLACK	-	1	1	-	-	-	QXEB	
	31610-Z4T-843ZB	BOX ASSY., CONTROL(EXP-ALERT) *R280*.....POWER RED	-	1	-	-	-	-	HXE8/A, QXE2/A, RXE2/A, VXE9/A	
	31610-Z4T-843ZA	*NH1*.....BLACK	-	1	-	-	-	-	QXE2/A	
	31610-Z4S-822ZA	BOX ASSY., CONTROL (EXP-ALERT/10A) *R280*.....POWER RED	-	1	-	-	-	-	QXE5/A, QXWE/A, SXE5/A	
	31610-Z4S-821ZA	*R280*.....POWER RED	-	1	-	-	-	1407693	QXE5, QXWE, SXE5	
	31610-Z4T-842ZB	BOX ASSY., CONTROL(EXP-ALERT) *R280*.....POWER RED	-	1	-	-	-	-	2618764 HXE8, QXE2, QXE8, RXE2, VXE9	
	31610-Z4T-842ZA	*NH1*.....BLACK	-	1	-	-	-	-	2618764 QXE2	
	31610-Z4S-822ZA	BOX ASSY., CONTROL (EXP-ALERT/10A) *R280*.....POWER RED	-	1	-	-	-	1407694	QXE5, QXWE, SXE5	
	31610-Z4T-843ZB	BOX ASSY., CONTROL(EXP-ALERT) *R280*.....POWER RED	-	1	-	-	-	2618765	HXE8, QXE2, QXE8, RXE2, VXE9	
	31610-Z4T-843ZA	*NH1*.....BLACK	-	1	-	-	-	2618765	QXE2	

E-23

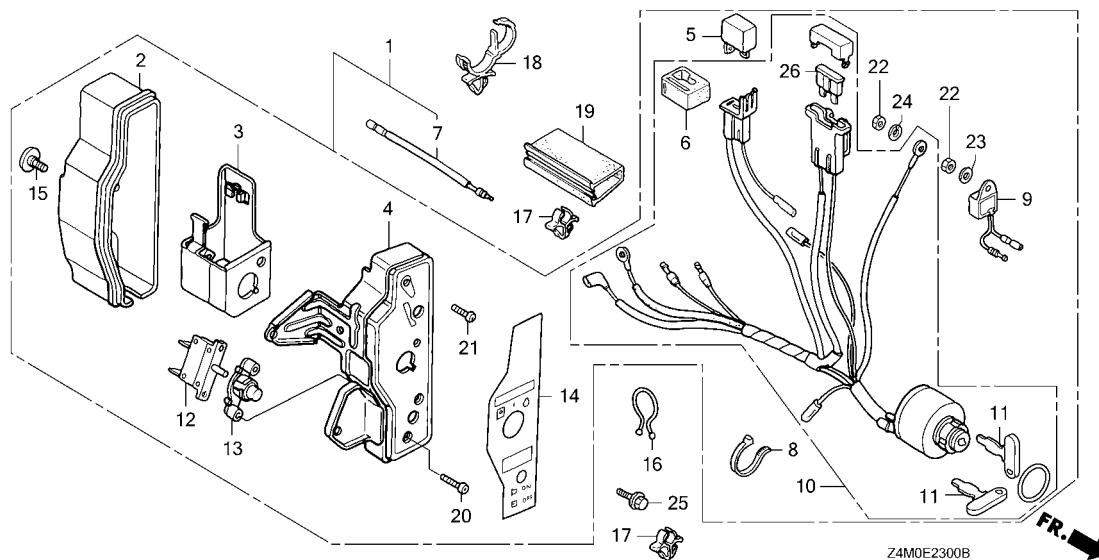
CONTROL BOX

Ref. No.	Part No.	Description	Reqd. QTY						Serial No.	Parts catalogue code
			GX 160 UT1	GX 160 UT2	GX 160 UT2X	GX 160 RT1	GX 160 RT2	GX 160 RT2X		
(1)	31610-Z4T-843ZB	BOX ASSY., CONTROL(EXP-ALERT) *R280*.....POWER RED	-	-	1	-	-	-	-----	HXE8, QXE2, RXE2, VXE9
	31610-Z4T-843ZA	*NH1*.....BLACK	-	-	1	-	-	-	-----	QXE2
	31610-Z4S-822ZA	BOX ASSY., CONTROL (EXP-ALERT/10A) *R280*.....POWER RED	-	-	1	-	-	-	-----	QXE5, QXWE, SXE5
2	31612-ZE2-003	CASE, CONTROL.....	1	1	1	-	-	-	-----	HXE8, HXE8/A, QKA4, QXE2, QXE2/A, QXE4, QXE5, QXE5/A, QXE8 QXEB, QXP2, QXW, QXWE, QXWE/A, RXE2, RXE2/A, RXP2, SXE4, SXE5 SXE5/A, VXE9, VXE9/A
3	31614-ZE2-003	BRACKET, CASE MOUNTING.....	1	1	1	-	-	-	-----	HXE8, HXE8/A, QKA4, QXE2, QXE2/A, QXE4, QXE5, QXE5/A, QXE8 QXEB, QXP2, QXW, QXWE, QXWE/A, RXE2, RXE2/A, RXP2, SXE4, SXE5 SXE5/A, VXE9, VXE9/A
4	31615-ZE1-003ZG	PANEL COMP., CONTROL *R280*.....POWER RED	1	1	1	-	-	-	-----	HXE8, HXE8/A, QKA4, QXE2, QXE2/A, QXE4, QXE5, QXE5/A, QXE8 QXEB, QXP2, QXW, QXWE, QXWE/A, RXE2, RXE2/A, RXP2, SXE4, SXE5 SXE5/A, VXE9, VXE9/A
	31615-ZE1-003ZA	*NH1*.....BLACK	1	1	1	-	-	-	-----	QXE2, QXE2/A, QXEB
5	31700-124-008	RECTIFIER ASSY., SILICON (SHINDENGEN)	1	1	1	-	-	-	-----	HXE8, HXE8/A, QKA4, QXE2, QXE2/A, QXE4, QXE8, QXP2, RXE2 RXE2/A, RXP2, SXE4, VXE9, VXE9/A
6	32127-738-700	SUSPENSION, COUPLER.....	1	1	1	-	-	-	-----	HXE8, HXE8/A, QKA4, QXE2, QXE2/A, QXE4, QXE8, QXP2, RXE2 RXE2/A, RXP2, SXE4, VXE9, VXE9/A
7	32197-ZE1-003	HARNESS, SUB WIRE.....	1	1	1	-	-	-	-----	HXE8, HXE8/A, QKA4, QXE2, QXE2/A, QXE4, QXE5, QXE5/A, QXE8 QXEB, QXP2, QXW, QXWE, QXWE/A, RXE2, RXE2/A, RXP2, SXE4, SXE5 SXE5/A, VXE9, VXE9/A
8	32902-892-003	BAND.....	1	1	1	-	-	-	-----	HXE8, HXE8/A, QKA4, QXE2, QXE2/A, QXE4, QXE5, QXE5/A, QXE8 QXEB, QXP2, QXW, QXWE, QXWE/A, RXE2, RXE2/A, RXP2, SXE4, SXE5 SXE5/A, VXE9, VXE9/A
9	34150-ZH7-013	ALERT UNIT, OIL.....	1	-	-	-	-	-	-----	HXE8, QKA4, QXE4, QXE5, QXE8, QXP2, QXW, QXWE, RXE2, RXP2, SXE4 SXE5
	34150-ZH7-003	1	-	-	-	-	-	1923062	QXE2, VXE9
	34150-ZH7-013	1	-	-	-	-	-	1923063	QXE2, VXE9
	34150-ZH7-023	ALERT UNIT, OIL(IIDA).....	-	1	-	-	-	-	-----	HXE8/A, QXE2/A, QXE5/A, QXEB, QXWE/A, RXE2/A, SXE5/A, VXE9/A
	34150-ZH7-013	ALERT UNIT, OIL.....	-	1	-	-	-	-	1407693	QXE5, QXWE, SXE5
	34150-ZH7-023	ALERT UNIT, OIL(IIDA).....	-	1	-	-	-	-	2618764	HXE8, QXE2, QXE8, RXE2, VXE9
	34150-ZH7-023	ALERT UNIT, OIL(IIDA).....	-	1	-	-	-	-	1407694	QXE5, QXWE, SXE5
	34150-ZH7-023	ALERT UNIT, OIL(IIDA).....	-	1	-	-	-	-	2618765	HXE8, QXE2, QXE8, RXE2, VXE9
	34150-ZH7-023	ALERT UNIT, OIL(IIDA).....	-	1	-	-	-	-	-----	HXE8, QXE2, QXE5, QXEB, QXWE, RXE2, SXE5, VXE9
10	35100-ZE1-812	SWITCH ASSY., COMBINATION....	1	1	1	-	-	-	-----	HXE8, HXE8/A, QKA4, QXE2, QXE2/A, QXE4, QXE8, QXP2, RXE2 RXE2/A, RXP2, SXE4, VXE9, VXE9/A
	35100-ZH8-R90	SWITCH ASSY., COMBINATION (10A CHG/RCM)	1	1	1	-	-	-	-----	QXE5, QXE5/A, QXW, QXWE, QXWE/A, SXE5, SXE5/A
	35100-Z4M-801	SWITCH ASSY., COMBINATION....	-	1	1	-	-	-	-----	QXEB
11	35111-880-013	KEY COMP.(HONDA LOCK).....	2	2	2	-	-	-	-----	HXE8, HXE8/A, QKA4, QXE2, QXE2/A, QXE4, QXE5, QXE5/A, QXE8 QXEB, QXP2, QXW, QXWE, QXWE/A, RXE2, RXE2/A, RXP2, SXE4, SXE5 SXE5/A, VXE9, VXE9/A
12	38240-VA3-900	PROTECTOR, CIRCUIT(1.0A).....	1	1	1	-	-	-	-----	HXE8, HXE8/A, QKA4, QXE2, QXE2/A, QXE4, QXE8, QXP2, RXE2 RXE2/A, RXP2, SXE4, VXE9, VXE9/A
13	38250-ZA8-701	LENS ASSY., PROTECTOR.....	1	1	1	-	-	-	-----	HXE8, HXE8/A, QKA4, QXE2, QXE2/A, QXE4, QXE8, QXP2, RXE2 RXE2/A, RXP2, SXE4, VXE9, VXE9/A
14	87529-Z4T-840	MARK, CONTROL BOX(EXTERNAL).. 87529-Z4S-820	1	1	1	-	-	-	-----	HXE8, HXE8/A, QKA4, QXE2, QXE2/A, QXE4, QXE8, QXP2, RXE2 RXE2/A, RXP2, SXE4, VXE9, VXE9/A
	87529-Z4S-820	MARK, CONTROL BOX(EXP).....	1	1	1	-	-	-	-----	QXE5, QXE5/A, QXEB, QXW, QXWE, QXWE/A, SXE5, SXE5/A
15	90380-MA6-010	SCREW, SPECIAL, 6X12.....	1	1	1	-	-	-	-----	HXE8, HXE8/A, QKA4, QXE2, QXE2/A, QXE4, QXE5, QXE5/A, QXE8 QXEB, QXP2, QXW, QXWE, QXWE/A, RXE2, RXE2/A, RXP2, SXE4, SXE5 SXE5/A, VXE9, VXE9/A



E-23

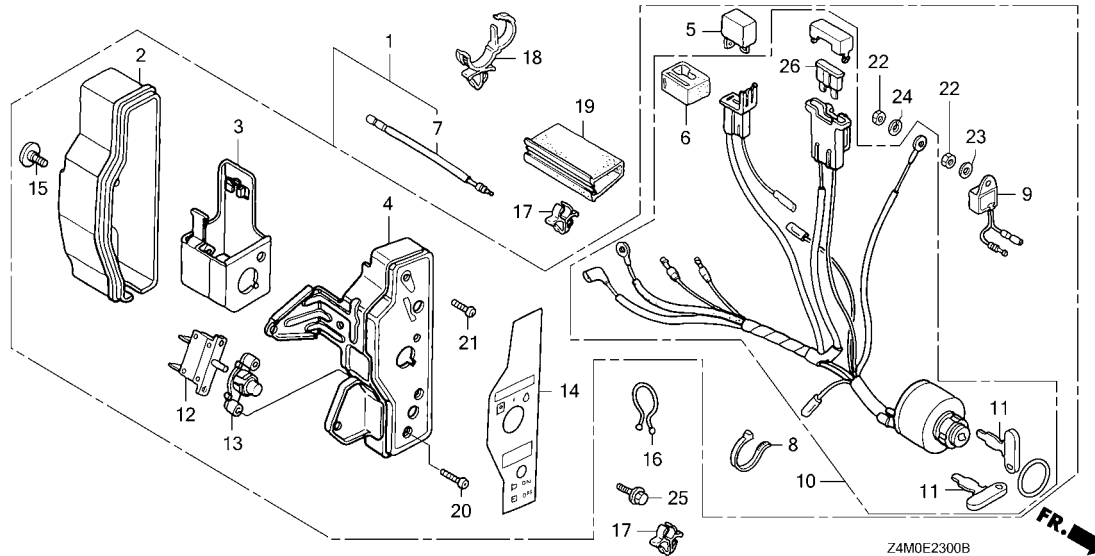
CONTROL BOX



Ref. No.	Part No.	Description	Reqd. QTY						Serial No.	Parts catalogue code
			GX 160 UT1	GX 160 UT2	GX 160 UT2X	GX 160 RT1	GX 160 RT2	GX 160 RT2X		
16	90630-751-000	CLIP, PURSE LOCK	1	1	1	-	-	-	HXE8, HXE8/A, QKA4, QXE2, QXE2/A, QXE4, QXE5, QXE5/A, QXE8 QXEB, QXP2, QXW, QXWE, QXWE/A, RXE2, RXE2/A, RXP2, SXE4, SXE5 SXE5/A, VXE9, VXE9/A	
17	90682-ZE1-000	CLIP, CORD	2	2	2	-	-	-	HXE8, HXE8/A, QKA4, QXE2, QXE2/A, QXE4, QXE5, QXE5/A, QXE8 QXEB, QXP2, QXW, QXWE, QXWE/A, RXE2, RXE2/A, RXP2, SXE4, SXE5 SXE5/A, VXE9, VXE9/A	
18	90690-SA0-003	STRAP, WIRE HARNESS, 25MM (BLACK)	1	1	1	-	-	-	HXE8, HXE8/A, QKA4, QXE2, QXE2/A, QXE4, QXE5, QXE5/A, QXE8 QXEB, QXP2, QXW, QXWE, QXWE/A, RXE2, RXE2/A, RXP2, SXE4, SXE5 SXE5/A, VXE9, VXE9/A	
19	91406-ZE2-003	TUBE, FASTENER, 30MM	1	1	1	-	-	-	HXE8, HXE8/A, QKA4, QXE2, QXE2/A, QXE4, QXE5, QXE5/A, QXE8 QXEB, QXP2, QXW, QXWE, QXWE/A, RXE2, RXE2/A, RXP2, SXE4, SXE5 SXE5/A, VXE9, VXE9/A	
20	93500-03012-0H	SCREW, PAN, 3X12	2	2	2	-	-	-	HXE8, HXE8/A, QKA4, QXE2, QXE2/A, QXE4, QXE8, QXP2, RXE2 RXE2/A, RXP2, SXE4, VXE9, VXE9/A	
21	93500-04012-0H	SCREW, PAN, 4X12	1	1	1	-	-	-	HXE8, HXE8/A, QKA4, QXE2, QXE2/A, QXE4, QXE5, QXE5/A, QXE8 QXEB, QXP2, QXW, QXWE, QXWE/A, RXE2, RXE2/A, RXP2, SXE4, SXE5 SXE5/A, VXE9, VXE9/A	
22	94001-04390-0S	NUT, HEX., 4MM	2	2	2	-	-	-	HXE8, HXE8/A, QKA4, QXE2, QXE2/A, QXE4, QXE5, QXE5/A, QXE8 QXEB, QXP2, QXW, QXWE, QXWE/A, RXE2, RXE2/A, RXP2, SXE4, SXE5 SXE5/A, VXE9, VXE9/A	
23	94101-04800	WASHER, PLAIN, 4MM	1	1	1	-	-	-	HXE8, HXE8/A, QKA4, QXE2, QXE2/A, QXE4, QXE5, QXE5/A, QXE8 QXEB, QXP2, QXW, QXWE, QXWE/A, RXE2, RXE2/A, RXP2, SXE4, SXE5 SXE5/A, VXE9, VXE9/A	
24	94111-04800	WASHER, SPRING, 4MM	1	1	1	-	-	-	HXE8, HXE8/A, QKA4, QXE2, QXE2/A, QXE4, QXE5, QXE5/A, QXE8 QXEB, QXP2, QXW, QXWE, QXWE/A, RXE2, RXE2/A, RXP2, SXE4, SXE5 SXE5/A, VXE9, VXE9/A	

E-23

CONTROL BOX

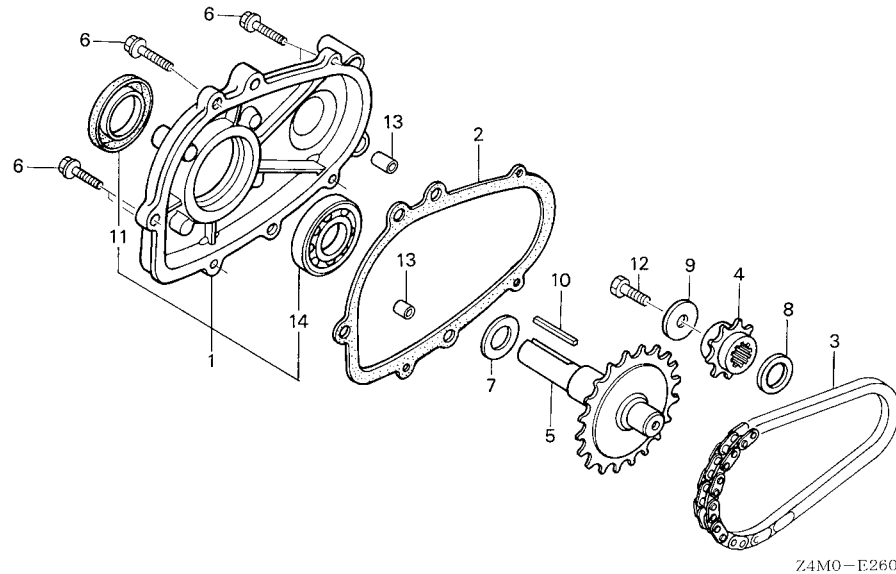


Ref. No.	Part No.	Description	Reqd. QTY						Serial No.	Parts catalogue code
			GX 160 UT1	GX 160 UT2	GX 160 UT2X	GX 160 RT1	GX 160 RT2	GX 160 RT2X		
25	95701-06010-00	BOLT, FLANGE, 6X10	1	1	1	-	-	-	HXE8, HXE8/A, QKA4, QXE2, QXE2/A, QXE4, QXE5, QXE5/A, QXE8, QXEB, QXP2, QXW, QXWE, QXWE/A, RXE2, RXE2/A, RXP2, SXE4, SXE5, SXE5/A, VXE9, VXE9/A	
26	98200-30500	FUSE, BLADE(5A)	1	1	1	-	-	-	HXE8, HXE8/A, QKA4, QXE2, QXE2/A, QXE4, QXE8, QXP2, RXE2, RXE2/A, RXP2, SXE4, VXE9, VXE9/A	
	98200-31500	FUSE, BLADE(15A)	1	1	1	-	-	-	QXE5, QXE5/A, QXW, QXWE, QXWE/A, SXE5, SXE5/A	
	98200-32500	FUSE, BLADE(25A)	-	1	1	-	-	-	QXEB	



E-26

REDUCTION(1)

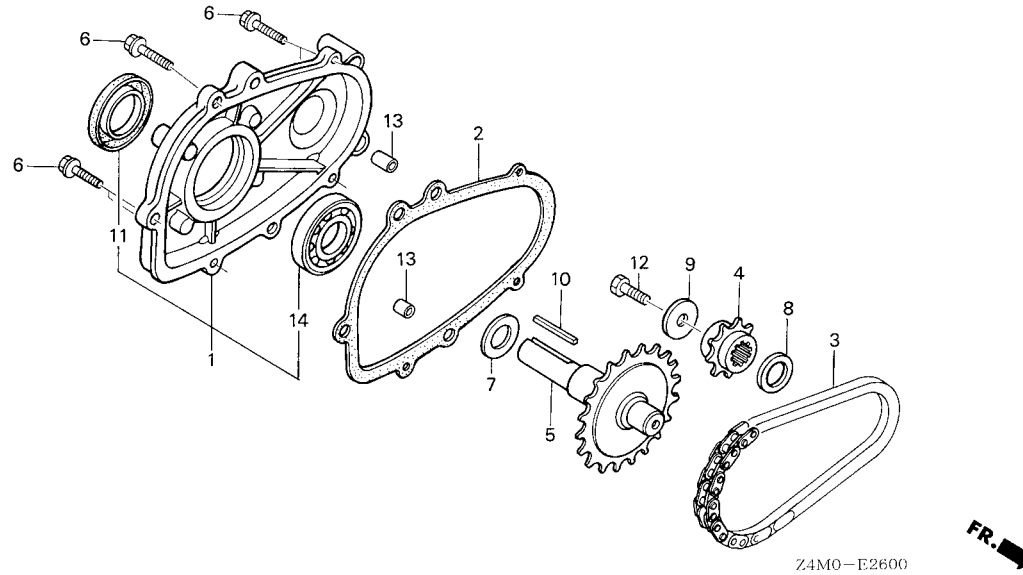


Ref. No.	L.O.N.	(Relative ref. Number) Description	F.R.T.
1	(2)		
2141W9		CHAIN CASE COVER AND/OR PACKING(L-TYPE)	0.2
3 2141W2		CHAIN, POWER TAKE OFF DRIVE (L-TYPE)	0.3
4 2141X0		SPROCKET, POWER TAKE OFF DRIVE CHAIN(L-TYPE)	0.3
5 2141V7		SHAFT, POWER TAKE OFF(L-TYPE)	0.3
11 2141X3		OIL SEAL, POWER TAKE OFF SHAFT (L-TYPE) :REAR	0.2
14 2141X8		BEARING, POWER TAKE OFF SHAFT (L-TYPE) :REAR	0.3

Ref. No.	Part No.	Description	Reqd. QTY						Serial No.	Parts catalogue code
			GX 160 UT1	GX 160 UT2	GX 160 UT2X	GX 160 RT1	GX 160 RT2	GX 160 RT2X		
1	11500-ZE1-611	COVER ASSY., CHAIN CASE	1	1	1	-	-	-	-----	LHN4, LHN4/A, LHQ4, LX2, LX2/A, LX26, LX4, LX4/A, LXM2, LXM2/A LXU
2	11521-ZH8-800	PACKING, CHAIN CASE COVER	1	1	1	-	-	-	-----	LHN4, LHN4/A, LHQ4, LX2, LX2/A, LX26, LX4, LX4/A, LXM2, LXM2/A LXU
3	14411-ZE1-611	CHAIN, P.T.O. DRIVE (DID317FM2-34LE)	1	1	1	-	-	-	-----	LHN4, LHN4/A, LHQ4, LX2, LX2/A, LX26, LX4, LX4/A, LXM2, LXM2/A LXU
4	23110-ZE1-610 23110-Z0T-000	SPROCKET, DRIVE(13T)	1	1	-	-	-	-	-----	LHN4, LHQ4, LX2, LX26, LX4, LXM2, LXU
		-	1	-	-	-	-	-----	LHN4/A, LX2/A, LX4/A, LXM2/A
		-	1	-	-	-	-	-----	LX2, LX4, LXM2
5	23710-ZE1-613	SHAFT, P.T.O.(26T)	1	1	1	-	-	-	-----	LHN4, LHN4/A, LHQ4, LX2, LX2/A, LX26, LX4, LX4/A, LXM2, LXM2/A LXU
6	90015-883-000	BOLT, FLANGE, 6X28(CT200)	5	5	5	-	-	-	-----	LHN4, LHN4/A, LHQ4, LX2, LX2/A, LX26, LX4, LX4/A, LXM2, LXM2/A LXU
7	90456-ZE1-000	SPRING, THRUST	1	1	1	-	-	-	-----	LHN4, LHN4/A, LHQ4, LX2, LX2/A, LX26, LX4, LX4/A, LXM2, LXM2/A LXU
8	90470-ZE1-000	SPACER, 20MM	1	1	-	-	-	-	-----	LHN4, LHQ4, LX2, LX26, LX4, LXM2, LXU
9	90471-ZE1-610	WASHER, 8MM	1	1	1	-	-	-	-----	LHN4, LHN4/A, LHQ4, LX2, LX2/A, LX26, LX4, LX4/A, LXM2, LXM2/A LXU
10	90741-883-810	KEY, 5X5X33(YELLOW)	1	1	1	-	-	-	-----	LHN4, LHN4/A, LHQ4, LX2, LX2/A, LX26, LX4, LX4/A, LXM2, LXM2/A LXU
11	91201-Z0T-801	OIL SEAL, 25X41X6(NOK)	1	1	1	-	-	-	-----	LHN4, LHN4/A, LHQ4, LX2, LX2/A, LX26, LX4, LX4/A, LXM2, LXM2/A LXU
12	92101-08025-0A	BOLT, HEX., 8X25	1	1	1	-	-	-	-----	LHN4, LHN4/A, LHQ4, LX2, LX2/A, LX26, LX4, LX4/A, LXM2, LXM2/A LXU
13	94301-08140	DOWEL PIN, 8X14	2	2	2	-	-	-	-----	LHN4, LHN4/A, LHQ4, LX2, LX2/A, LX26, LX4, LX4/A, LXM2, LXM2/A LXU

E-26

REDUCTION(1)

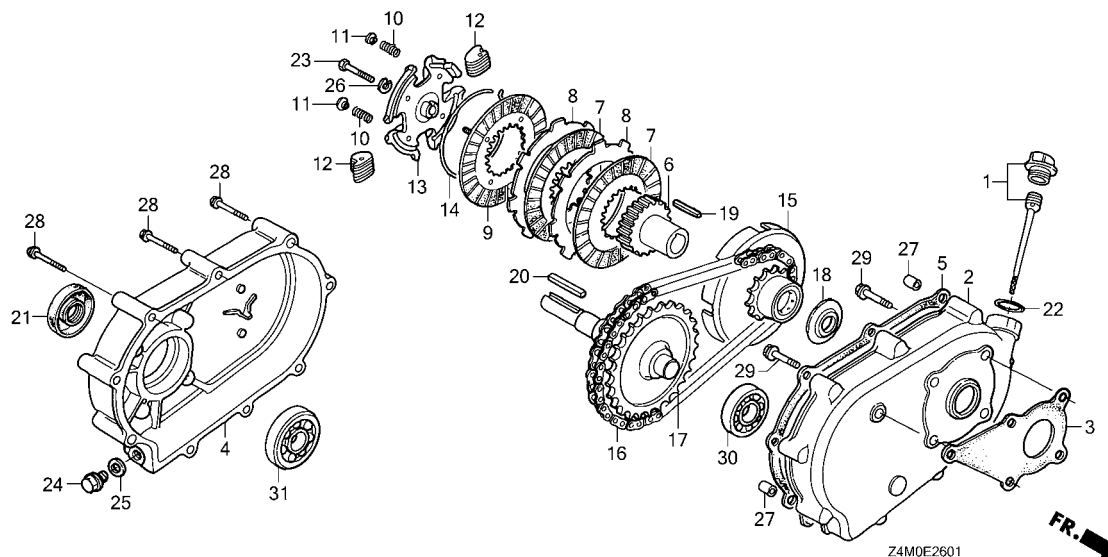


Ref. No.	Part No.	Description	Reqd. QTY						Serial No.	Parts catalogue code
			GX 160 UT1	GX 160 UT2	GX 160 UT2X	GX 160 RT1	GX 160 RT2	GX 160 RT2X		
14	96100-62050-00	BEARING, RADIAL BALL, 6205...	1	1	1	-	-	-	LHN4, LHN4/A, LHQ4, LX2, LX2/A, LX26, LX4, LX4/A, LXM2, LXM2/A, LXU	



E-26-1

REDUCTION(2)



Ref. No.	L.O.N.	(Relative ref. Number) Description	F.R.T.
2	2141Y6	CASE, REDUCTION(R-TYPE)	0.3
3	2141Q0	PACKING, REDUCTION CASE	0.2
4	2141W7	REDUCTION COVER AND/OR PACKING (R-TYPE)	0.3
7	2141Z0	DISC, REDUCTION CLUTCH FRICTION	0.3
8	2141Z1	PLATE, REDUCTION CLUTCH	0.3
9	2141Z2	PLATE, REDUCTION CLUTCH PRESSURE	0.3
16	2141W3	CHAIN, POWER TAKE OFF DRIVE (R-TYPE)	0.3
17	2141V8	SHAFT, POWER TAKE OFF(R-TYPE)	0.3
21	2141X4	OIL SEAL, POWER TAKE OFF SHAFT (R-TYPE) :REAR	0.3
30	2141Y5	BEARING, POWER TAKE OFF SHAFT (R-TYPE) :FRONT	0.4
31	2141X9	BEARING, POWER TAKE OFF SHAFT (R-TYPE) :REAR	0.4

Ref. No.	Part No.	Description	Reqd. QTY						Serial No.	Parts catalogue code
			GX 160 UT1	GX 160 UT2	GX 160 UT2X	GX 160 RT1	GX 160 RT2	GX 160 RT2X		
1	15600-ZH7-000	CAP ASSY., OIL FILLER	1	1	1	1	1	1	-----	RH2, RH2/A, RHG4, RHG4/A, RHQ4, RHQ4/A, RTB2, RX4, RX4/A, RXE2, RXE2/A, RXP2, RXU, RXU/A
2	21510-883-621	CASE, REDUCTION	1	1	1	1	1	1	-----	RH2, RH2/A, RHG4, RHG4/A, RHQ4, RHQ4/A, RTB2, RX4, RX4/A, RXE2, RXE2/A, RXP2, RXU, RXU/A
3	21591-ZH8-620	PACKING, REDUCTION CASE	1	1	1	1	1	1	-----	RH2, RH2/A, RHG4, RHG4/A, RHQ4, RHQ4/A, RTB2, RX4, RX4/A, RXE2, RXE2/A, RXP2, RXU, RXU/A
4	21610-822-611	COVER, REDUCTION	1	1	1	1	1	1	-----	RH2, RH2/A, RHG4, RHG4/A, RHQ4, RHQ4/A, RTB2, RX4, RX4/A, RXE2, RXE2/A, RXP2, RXU, RXU/A
5	21691-ZH8-800	PACKING, REDUCTION COVER	1	1	1	1	1	1	-----	RH2, RH2/A, RHG4, RHG4/A, RHQ4, RHQ4/A, RTB2, RX4, RX4/A, RXE2, RXE2/A, RXP2, RXU, RXU/A
6	22121-883-620	CENTER, CLUTCH	1	1	1	1	1	1	-----	RH2, RH2/A, RHG4, RHG4/A, RHQ4, RHQ4/A, RTB2, RX4, RX4/A, RXE2, RXE2/A, RXP2, RXU, RXU/A
7	22201-822-610	DISK, CLUTCH FRICTION	2	2	2	2	2	2	-----	RH2, RH2/A, RHG4, RHG4/A, RHQ4, RHQ4/A, RTB2, RX4, RX4/A, RXE2, RXE2/A, RXP2, RXU, RXU/A
8	22311-822-610	PLATE, CLUTCH	2	2	2	2	2	2	-----	RH2, RH2/A, RHG4, RHG4/A, RHQ4, RHQ4/A, RTB2, RX4, RX4/A, RXE2, RXE2/A, RXP2, RXU, RXU/A
9	22350-822-610	PLATE COMP., CLUTCH PRESSURE	1	1	1	1	1	1	-----	RH2, RH2/A, RHG4, RHG4/A, RHQ4, RHQ4/A, RTB2, RX4, RX4/A, RXE2, RXE2/A, RXP2, RXU, RXU/A
10	22411-822-611	SPRING, CLUTCH FREE	4	4	4	4	4	4	-----	RH2, RH2/A, RHG4, RHG4/A, RHQ4, RHQ4/A, RTB2, RX4, RX4/A, RXE2, RXE2/A, RXP2, RXU, RXU/A
11	22421-822-610	HOLDER, CLUTCH SPRING	4	4	4	4	4	4	-----	RH2, RH2/A, RHG4, RHG4/A, RHQ4, RHQ4/A, RTB2, RX4, RX4/A, RXE2, RXE2/A, RXP2, RXU, RXU/A
12	22521-822-610	WEIGHT, CLUTCH	48	48	48	48	48	48	-----	RH2, RH2/A, RHG4, RHG4/A, RHQ4, RHQ4/A, RTB2, RX4, RX4/A, RXE2, RXE2/A, RXP2, RXU, RXU/A
13	22531-883-620	HOLDER, CLUTCH WEIGHT	1	1	1	1	1	1	-----	RH2, RH2/A, RHG4, RHG4/A, RHQ4, RHQ4/A, RTB2, RX4, RX4/A, RXE2, RXE2/A, RXP2, RXU, RXU/A

E-26-1

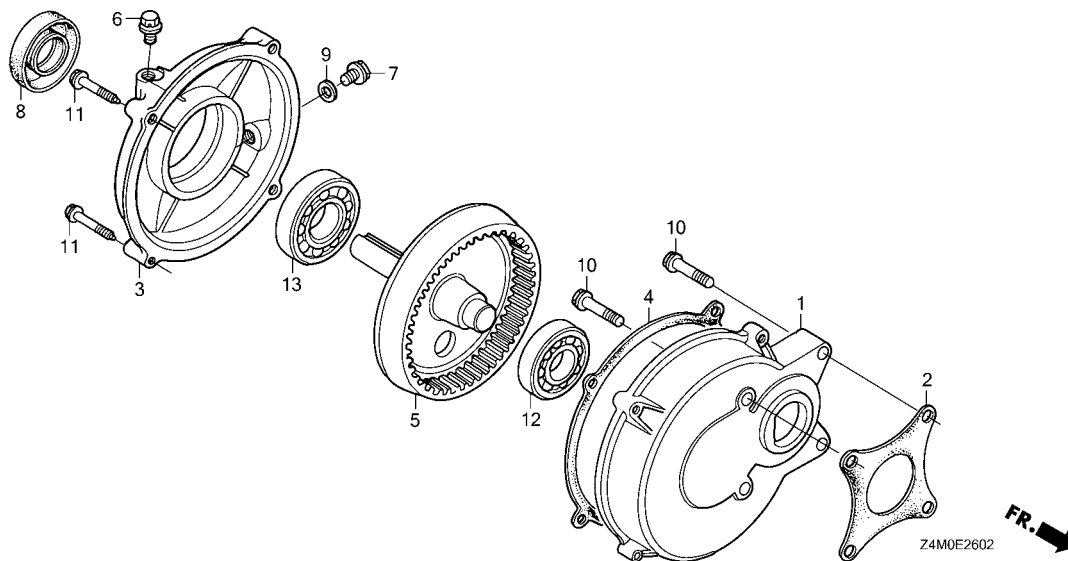
REDUCTION(2)

Ref. No.	Part No.	Description	Reqd. QTY						Serial No.	Parts catalogue code	
			GX 160 UT1	GX 160 UT2	GX 160 UT2X	GX 160 RT1	GX 160 RT2	GX 160 RT2X			
14	22535-822-610	CENTER, CLUTCH WEIGHT	1	1	1	1	1	1	-----	-----	RH2, RH2/A, RHG4, RHG4/A, RHQ4, RHQ4/A, RTB2, RX4, RX4/A, RXE2, RXE2/A, RXP2, RXU, RXU/A
15	23120-883-620	SPROCKET COMP., DRIVE	1	1	-	1	1	-	-----	-----	RH2, RHG4, RHQ4, RTB2, RX4, RXE2, RXP2, RXU
	23120-883-621	-	1	-	-	-	-	4108352	-----	RH2/A, RHQ4/A, RX4/A, RXE2/A, RXU/A
	23120-883-620	-	-	1	-	-	1	4108353	-----	RH2/A, RHQ4/A, RX4/A, RXE2/A, RXU/A
	23120-883-621	-	-	-	-	1	-	4109372	-----	RH2, RHG4, RHQ4, RX4, RXE2
	23120-883-621	-	-	-	-	1	-	4109373	-----	RHG4/A
16	23161-822-611	CHAIN, DRIVE(RK428SH-36LE) ...	1	1	1	1	1	1	-----	-----	RH2, RH2/A, RHG4, RHG4/A, RHQ4, RHQ4/A, RTB2, RX4, RX4/A, RXE2, RXE2/A, RXP2, RXU, RXU/A
17	23711-822-610	SHAFT COMP., P.T.O.(28T)	1	1	1	1	1	1	-----	-----	RH2, RH2/A, RHG4, RHG4/A, RHQ4, RHQ4/A, RTB2, RX4, RX4/A, RXE2, RXE2/A, RXP2, RXU, RXU/A
18	90403-883-620	WASHER, THRUST, 20MM	1	1	1	1	1	1	-----	-----	RH2, RH2/A, RHG4, RHG4/A, RHQ4, RHQ4/A, RTB2, RX4, RX4/A, RXE2, RXE2/A, RXP2, RXU, RXU/A
19	90741-883-621	KEY, 5MM	1	1	1	1	1	1	-----	-----	RH2, RH2/A, RHG4, RHG4/A, RHQ4, RHQ4/A, RTB2, RX4, RX4/A, RXE2, RXE2/A, RXP2, RXU, RXU/A
20	90741-889-810	KEY, 7X7X33(YELLOW)(O.S.)	1	1	1	1	1	1	-----	-----	RH2, RH2/A, RHG4, RHG4/A, RHQ4, RHQ4/A, RTB2, RX4, RX4/A, RXE2, RXE2/A, RXP2, RXU, RXU/A
21	91202-Z2F-801	OIL SEAL, 30X50X7	1	1	1	1	1	1	-----	-----	RH2, RH2/A, RHG4, RHG4/A, RHQ4, RHQ4/A, RTB2, RX4, RX4/A, RXE2, RXE2/A, RXP2, RXU, RXU/A
22	91301-805-000	O-RING, 26X2.7	1	1	1	1	1	1	-----	-----	RH2, RH2/A, RHG4, RHG4/A, RHQ4, RHQ4/A, RTB2, RX4, RX4/A, RXE2, RXE2/A, RXP2, RXU, RXU/A
23	92101-08035-0A	BOLT, HEX., 8X35	1	1	1	1	1	1	-----	-----	RH2, RH2/A, RHG4, RHG4/A, RHQ4, RHQ4/A, RTB2, RX4, RX4/A, RXE2, RXE2/A, RXP2, RXU, RXU/A
24	92800-12000	BOLT, DRAIN PLUG, 12MM	1	1	1	1	1	1	-----	-----	RH2, RH2/A, RHG4, RHG4/A, RHQ4, RHQ4/A, RTB2, RX4, RX4/A, RXE2, RXE2/A, RXP2, RXU, RXU/A
25	94109-12000	WASHER, DRAIN PLUG, 12MM	1	1	1	1	1	1	-----	-----	RH2, RH2/A, RHG4, RHG4/A, RHQ4, RHQ4/A, RTB2, RX4, RX4/A, RXE2, RXE2/A, RXP2, RXU, RXU/A
26	94111-08800	WASHER, SPRING, 8MM	1	1	1	1	1	1	-----	-----	RH2, RH2/A, RHG4, RHG4/A, RHQ4, RHQ4/A, RTB2, RX4, RX4/A, RXE2, RXE2/A, RXP2, RXU, RXU/A
27	94301-08100	DOWEL PIN, 8X10	2	2	2	2	2	2	-----	-----	RH2, RH2/A, RHG4, RHG4/A, RHQ4, RHQ4/A, RTB2, RX4, RX4/A, RXE2, RXE2/A, RXP2, RXU, RXU/A
28	95701-06055-00	BOLT, FLANGE, 6X55	9	9	9	9	9	9	-----	-----	RH2, RH2/A, RHG4, RHG4/A, RHQ4, RHQ4/A, RTB2, RX4, RX4/A, RXE2, RXE2/A, RXP2, RXU, RXU/A
29	95701-08022-00	BOLT, FLANGE, 8X22	5	5	5	5	5	5	-----	-----	RH2, RH2/A, RHG4, RHG4/A, RHQ4, RHQ4/A, RTB2, RX4, RX4/A, RXE2, RXE2/A, RXP2, RXU, RXU/A
30	96100-62050-00	BEARING, RADIAL BALL, 6205 ...	1	1	1	1	1	1	-----	-----	RH2, RH2/A, RHG4, RHG4/A, RHQ4, RHQ4/A, RTB2, RX4, RX4/A, RXE2, RXE2/A, RXP2, RXU, RXU/A
31	96100-62060-00	BEARING, RADIAL BALL, 6206 ...	1	1	1	1	1	1	-----	-----	RH2, RH2/A, RHG4, RHG4/A, RHQ4, RHQ4/A, RTB2, RX4, RX4/A, RXE2, RXE2/A, RXP2, RXU, RXU/A



E-26-2

REDUCTION(3)

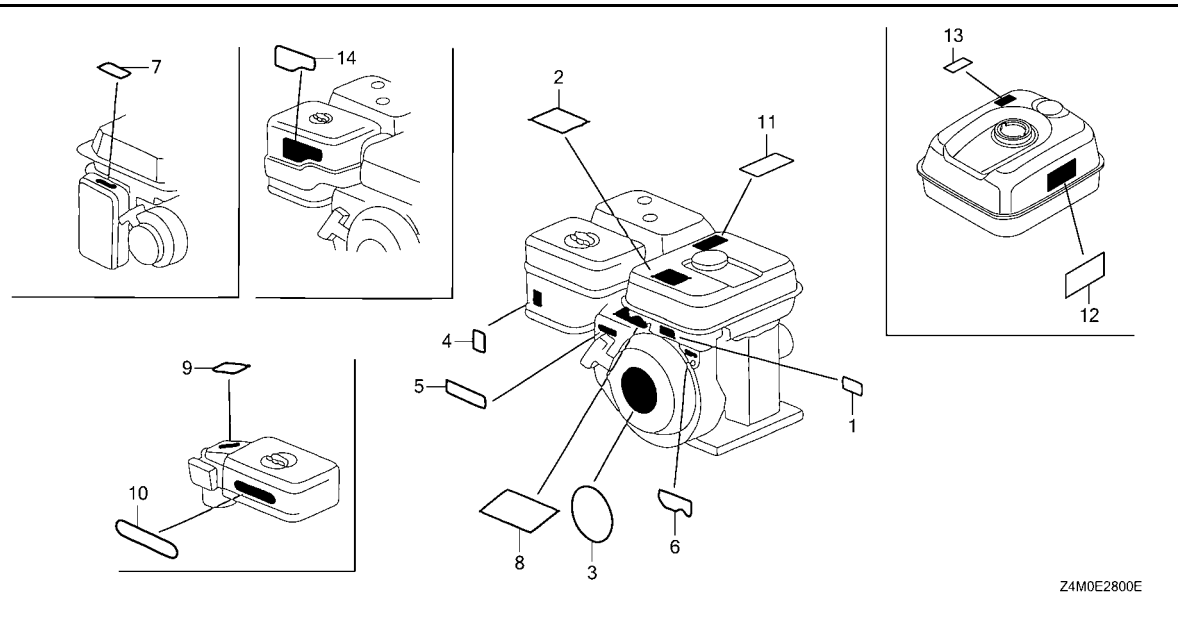


Ref. No.	L.O.N.	(Relative ref. Number) Description	F.R.T.
1	(4)		
1	2141Y7	CASE, REDUCTION(H-TYPE)	0.2
2	2141Q0	PACKING, REDUCTION CASE	0.2
3	2141W8	REDUCTION COVER AND/OR PACKING (H-TYPE)	0.2
5	2141V9	SHAFT, POWER TAKE OFF(H-TYPE)	0.2
8	2141X5	OIL SEAL, POWER TAKE OFF SHAFT (H-TYPE) :REAR	0.2
12	2141Y4	BEARING, POWER TAKE OFF SHAFT (H-TYPE) :FRONT	0.3
13	2141Y0	BEARING, POWER TAKE OFF SHAFT (H-TYPE) :REAR	0.2

Ref. No.	Part No.	Description	Reqd. QTY						Serial No.	Parts catalogue code
			GX 160 UT1	GX 160 UT2	GX 160 UT2X	GX 160 RT1	GX 160 RT2	GX 160 RT2X		
1	21521-883-741	CASE, REDUCTION	1	1	1	-	-	-	HH26, HH26/A, HHQ4, HX2, HX2/A, HX4, HX4/A, HXE8, HXE8/A, HXU	
2	21591-ZH8-740	PACKING, REDUCTION CASE	1	1	1	-	-	-	HH26, HH26/A, HHQ4, HX2, HX2/A, HX4, HX4/A, HXE8, HXE8/A, HXU	
3	21621-883-741	COVER, REDUCTION	1	-	-	-	-	-	HH26, HHQ4, HX2, HX4, HXE8, HXU	
	21621-883-742	-	1	-	-	-	-	HH26/A, HX2/A, HX4/A, HXE8/A	
	21621-883-741	-	1	-	-	-	-	HHQ4	
	21621-883-742	-	1	-	-	-	-	1870117 HH26, HX2, HX4, HXE8	
	21692-ZH8-800	PACKING, REDUCTION COVER	1	-	-	-	-	-	2882642 HH26, HX2, HX4, HXE8	
	21692-ZH7-000	1	-	-	-	-	-	2882643 HH26, HHQ4, HX2, HX4, HXE8, HXU	
5	23710-883-740	SHAFT, P.T.O.(86T)	1	1	1	-	-	-	HH26, HH26/A, HHQ4, HX2, HX2/A, HX4, HX4/A, HXE8, HXE8/A, HXU	
6	90002-883-740	BOLT, BREATHING	1	1	1	-	-	-	HH26, HH26/A, HHQ4, HX2, HX2/A, HX4, HX4/A, HXE8, HXE8/A, HXU	
7	90131-883-000	BOLT, DRAIN PLUG, 12X15	1	1	1	-	-	-	HH26, HH26/A, HHQ4, HX2, HX2/A, HX4, HX4/A, HXE8, HXE8/A, HXU	
8	91201-Z0T-801	OIL SEAL, 25X41X6(NOK)	1	1	1	-	-	-	HH26, HH26/A, HHQ4, HX2, HX2/A, HX4, HX4/A, HXE8, HXE8/A, HXU	
9	94109-12000	WASHER, DRAIN PLUG, 12MM	1	1	1	-	-	-	HH26, HH26/A, HHQ4, HX2, HX2/A, HX4, HX4/A, HXE8, HXE8/A, HXU	
10	95701-08032-08	BOLT, FLANGE, 8X32	4	4	4	-	-	-	HH26, HH26/A, HHQ4, HX2, HX2/A, HX4, HX4/A, HXE8, HXE8/A, HXU	
11	95701-08035-00	BOLT, FLANGE, 8X35	4	4	4	-	-	-	HH26, HH26/A, HHQ4, HX2, HX2/A, HX4, HX4/A, HXE8, HXE8/A, HXU	
12	96100-62040-00	BEARING, RADIAL BALL, 6204	1	1	1	-	-	-	HH26, HH26/A, HHQ4, HX2, HX2/A, HX4, HX4/A, HXE8, HXE8/A, HXU	
13	96100-63050-00	BEARING, RADIAL BALL, 6305	1	1	1	-	-	-	HH26, HH26/A, HHQ4, HX2, HX2/A, HX4, HX4/A, HXE8, HXE8/A, HXU	

E-28

LABEL



Z4M0E2800E

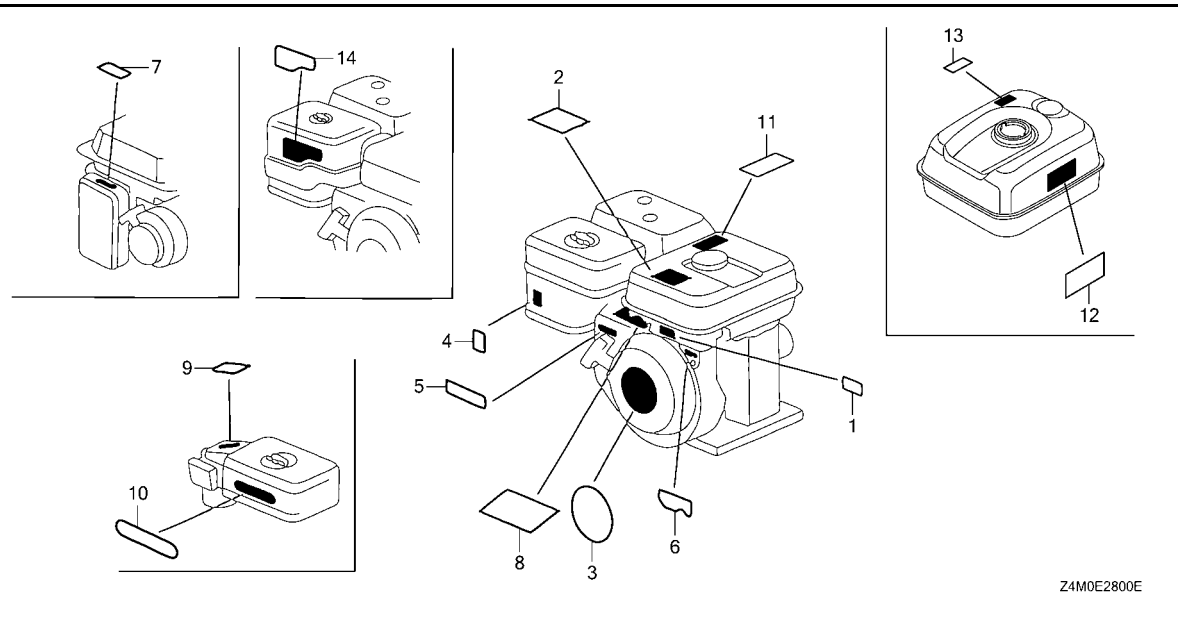
Ref. No.	L.O.N.	(Relative ref. Number) Description	F.R.T.
		NO INFORMATION	

Ref. No.	Part No.	Description	Reqd. QTY						Serial No.	Parts catalogue code
			GX 160 UT1	GX 160 UT2	GX 160 UT2X	GX 160 RT1	GX 160 RT2	GX 160 RT2X		
1	87135-ZE2-020	LABEL, E-SPEC(15.5X27.5).....	1	-	-	-	-	-	PXU,QXU,SXU,TXU,VXU1	
2	87519-Z4H-000	MARK, OPERATOR CAUTION (PICTOGRAPH)	1	-	-	-	-	-	QAX4,QXC4	
	87516-Z4H-010	MARK, OPERATOR CAUTION (ENGLISH)(MADE IN THAI)	1	-	-	-	-	-	QHQU,QXP2,RXP2,SG22,SHQU,SX2,SXS,SXS2,VSD2	
	87516-Z4H-000	1	-	-	-	-	-	WKS	
	87516-Z4H-810	MARK, OPERATOR CAUTION (PICTOGRAPH)(MADE IN THAI)	(1)	-	-	-	-	-	2431397 LHQ4, LX2, LX26, LX4, LXU, PXU, QA2, QA26, QBC2, QBM2, QBT6, QCB2, QGR9, QH26, QHQ4, QMC6, QMC8, QMD6, QME4, QMP4, QM22, QNT QPU, QW24, QWA4, QWW2, QWX2, QX2, QX26, QX4, QX7, QX9, QXE2 QXF2, QXS2, QXU, SD16, SG24, SHQ4, SMC7, SMC9, SWX2, SX4, SX7, SX9, SXS4, SXU, TW24, TX2, TX26, TX4, TXDU, TXU, VA2, VG24, VMS4 VSD, VSD7, VSD9, VWA2, VX2, VX4, VXE9, VXU1, WKS, WKT2, WKT4 WKT6	
	87516-Z4H-000	MARK, OPERATOR CAUTION (ENGLISH)(MADE IN THAI)	1	-	-	-	-	-	2566537 HH26, HHQ4, HX2, HX4, HXE8, HXU, LHQ4, LX2, LX26, LX4, LXU, PXU QA2, QA26, QAX2, QBC2, QBM2, QBT6, QCB2, QGR9, QH26, QHQ4, QKA4 QMC6, QMC8, QMD6, QME4, QMP4, QM22, QNT, QNT4, QPU, QW24, QWA4 QWW2, QWX2, QX2, QX26, QX4, QX7, QX9, QXC9, QXE2, QXE4, QXE5 QXE8, QXF2, QXS2, QXU, QXW, QXWE, RH2, RHQ4, RTB2, RX4, RXE2 RXU, SD16, SG24, SHQ4, SMC7, SMC9, SSS2, SWX2, SX4, SX7, SX9 SXE4, SXE5, SXS4, SXU, TW24, TX2, TX26, TX4, TXC9, TXDU, TXU UXU, VA2, VG24, VG29, VMS4, VSD, VSD7, VSD9, VWA2, VX2, VX4 VXE9, VXU1, WKT2, WKT4, WKT6, WMB0	
	87516-ZH7-810	MARK, OPERATOR CAUTION (PICTOGRAPH)(MADE IN JAPAN)	(1)	-	-	-	-	-	2566537 HH26, HHQ4, HX2, HX4, HXE8, HXU, QAX2, QKA4, QNT4, QXC9, QXE4 QXE5, QXE8, QXW, QXWE, RH2, RHQ4, RTB2, RX4, RXE2, RXU, SSS2 SXE4, SXE5, TXC9, UXU, VG29, WMB0	



E-28

LABEL



Z4M0E2800E

Ref. No.	Part No.	Description	Reqd. QTY						Serial No.	Parts catalogue code
			GX 160 UT1	GX 160 UT2	GX 160 UT2X	GX 160 RT1	GX 160 RT2	GX 160 RT2X		
(2)	87519-Z4H-000	MARK, OPERATOR CAUTION (PICTOGRAPH)	1	-	-	-	-	-	2458667 -----	WKS
	87516-Z4H-010	MARK, OPERATOR CAUTION (ENGLISH)(MADE IN THAI)	1	-	-	-	-	-	2566538 -----	HH26, HX2, HXE8, HXU, LHQ4, LX2, LX26, LXU, PXU, QA2, QA26, QAX2, QBM2, QBT6, QCB2, QGR9, QH26, QMP4, QM22, QWX2, QX2, QX26, QXC9, QXE2, QXE8, QXF2, QXS2, QXU, RH2, RTB2, RXE2, RXU, SD16, SXS2, SWX2, SXU, TX2, TXC9, TXDU, TXU, UXU, VA2, VWA2, VX2, VX4, VXU1, WKT2, WKT6
	87519-Z4H-000	MARK, OPERATOR CAUTION (PICTOGRAPH)	1	-	-	-	-	-	2566538 -----	HHQ4, HX4, LX4, QBC2, QHQ4, QKA4, QMC6, QMC8, QMD6, QME4, QNT, QNT4, QPU, QW24, QWA4, QWW2, QX4, QX7, QX9, QXE4, QXE5, QXW, QXWE, RHQ4, RX4, SG24, SHQ4, SMC7, SMC9, SX4, SX7, SX9, SXE4, SXE5, SXS4, TW24, TX26, TX4, VG24, VG29, VMS4, VSD, VSD7, VSD9, VXE9, WKT4, WMB0
	87516-Z4H-010	MARK, OPERATOR CAUTION (ENGLISH)(MADE IN THAI)	-	1	-	-	-	-	-----	QXC9, SMX4, TXC9
3	87521-ZH8-040	EMBLEM(GX160)	1	-	-	1	-	-	-----	HH26, HHQ4, HX2, HX4, HXE8, HXU, QAX2, QAX4, QBM2, QHG4, QHQ4, QKA4, QNT4, QXC4, QXC9, QXE4, QXE5, QXE8, QXP2, QXW, QXWE, RH2, RHG4, RHQ4, RTB2, RX4, RXE2, RXP2, RXU, SG22, SHQU, SXS2, SX2, SXE4, SXE5, SXS, SXS2, TXC9, TXDU, UXU, VG29, VSD2, VWWN, WMB0, LHQ4, LX2, LX26, LX4, LXU, PXU, QA2, QA26, QBC2, QBT6, QCB2, QCL, QGR9, QH26, QHQ4, QMC6, QMC8, QMD6, QME4, QMP4, QM22, QNT, QPU, QW24, QWA4, QWW2, QWX2, QX2, QX26, QX4, QX7, QX9, QXE2, QXF2, QXS2, QXU, SD16, SG24, SHQ4, SMC7, SMC9, SWX2, SX4, SX7, SX9, SXS4, SXU, TCS2, TW24, TX2, TX26, TX4, TXU, VA2, VG24, VHA9, VHH4, VMS4, VS17, VS19, VSD, VSD1, VSD7, VSD9, VWA2, VWW2, VX2, VX4, VXE9, VXU1, VXX2, WKS, WKT2, WKT4, WKT6
	87521-ZH8-030	EMBLEM(GX160 5.5)	1	-	-	-	-	-	1782484 -----	

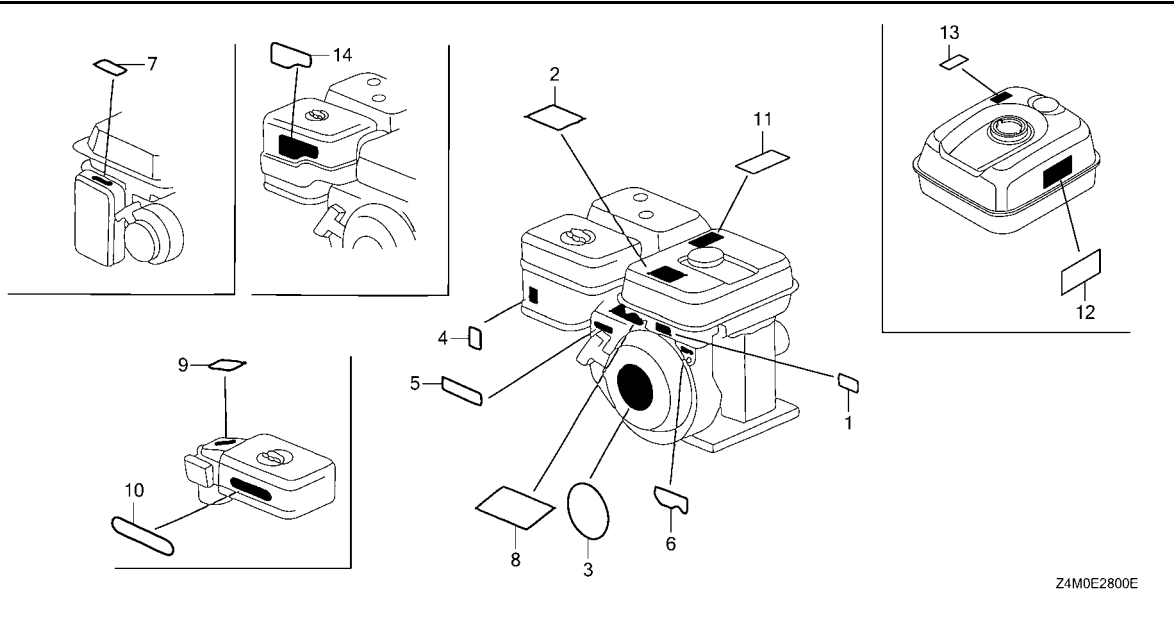


Ref. No.	Part No.	Description	Reqd. QTY						Serial No.	Parts catalogue code
			GX 160 UT1	GX 160 UT2	GX 160 UT2X	GX 160 RT1	GX 160 RT2	GX 160 RT2X		
(3)	87521-ZH8-040	EMBLEM(GX160)	1	-	-	-	-	-	1782485 -----	LHQ4, LX2, LX26, LX4, LXU, PXU, QA2, QA26, QBC2, QBT6, QCB2, QCL QGR9, QH26, QHQ4, QMC6, QMC8, QMD6, QME4, QMP4, QMZ2, QNT, QPU QW24, QWA4, QWW2, QWX2, QX2, QX26, QX4, QX7, QX9, QXE2, QXF2 QXS2, QXU, SD16, SG24, SHQ4, SMC7, SMC9, SWX2, SX4, SX7, SX9 SXS4, SXU, TCS2, TW24, TX2, TX26, TX4, TXU, VA2, VG24, VHA9 VHH4, VMS4, VS17, VS19, VSD, VSD1, VSD7, VSD9, VWA2, VWM2, VX2 VX4, VXE9, VXU1, VXW2, WKS, WKT2, WKT4, WKT6
	87521-Z4M-000	-	1	1	-	1	1	-----	EMAN, EMAN/A, HH26, HH26/A, HHQ4, HX2, HX2/A, HX4, HX4/A, HXE8 HXE8/A, LHN4, LHN4/A, LHQ4, LX2, LX2/A, LX4, LX4/A, LXM2 LXM2/A, PXU, PXU/A, QA2, QA2/A, QAX2, QAX4, QAX4/A, QBC2, QBM2 QBM2/A, QC9, QC9/A, QCM, QCM/A, QGR9, QGR9/A, QH26, QH26/A QHG4, QHG4/A, QHQ4, QHQ4/A, QMC6, QMC6/A, QMC8, QMC8/A, QMD6 QMD6/A, QME4, QME4/A, QMP4, QMX2, QMX2/A, QMXC, QPU, QWA4 QWA4/A, QWX2, QWX2/A, QX2, QX2/A, QX4, QX4/A, QX9, QX9/A, QXC9 QXE2, QXE2/A, QXE5, QXE5/A, QXE8, QXE8, QXGB, QXGB, QXS2 QXS2/A, QXU, QXU/A, QXWE, QXWE/A, RH2, RH2/A, RHG4, RHG4/A RHQ4, RHQ4/A, RX4, RX4/A, RXE2, RXE2/A, RXU, RXU/A, S1CY S1CY/A, SCM, SCM/A, SD16, SD16/A, SG24, SG24/A, SHCC, SHCC/A SHQ4, SHQ4/A, SHRY, SHRY/A, SMC7, SMC7/A, SMC9, SMC9/A, SMW2 SMW2/A, SMX4, SMX4/A, SMXC, SMXE, SMXE/A, SSS2, SSS2/A, SWX2 SWX2/A, SX4, SX4/A, SX9, SX9/A, SXE5, SXE5/A, SXS4, SXS4/A SXU, SXU/A, TX2, TX2/A, TX4, TX4/A, TXC9, TXDU, TXDU/A, UXU UXU/A, VA2, VA2/A, VCG, VCG/A, VES6, VES6/A, VG25, VG25/A VG29, VHH4, VHH4/A, VS19, VSD9, VSD9/A, VWWN, VWWN/A, VX2 VX2/A, VXE9, VXE9/A, VXU1, VXU1/A, WKS, WKS/A, WKT2, WKT2/A WMB0, WMB0/A, WMT4, WMT4/A
4	87528-ZH7-000	MARK, CHOKE(GRAY)	1	-	-	1	-	-	-----	HH26, HHQ4, HX2, HX4, HXE8, HXU, LHQ4, LX2, LX26, LX4, LXU, PXU QA2, QA26, QAX2, QAX4, QBC2, QBM2, QBT6, QCB2, QCL, QGR9, QH26 QHG4, QHQ4, QHQ4, QKA4, QMC6, QMC8, QMD6, QME4, QMP4, QMZ2, QNT QNT4, QPU, QWA4, QWX2, QX2, QX26, QX4, QX7, QX9, QXC4, QXC9 QXE2, QXE4, QXE5, QXE8, QXF2, QXP2, QXS2, QXU, RH2, RHG4, RHQ4 RTB2, RX4, RXE2, RXP2, RXU, SD16, SG22, SG24, SHQ4, SHQ4, SMC7 SMC9, SSS2, SWX2, SX2, SX4, SX7, SX9, SXE4, SXE5, SXS, SXS2 SXS4, SXU, TCS2, TX2, TX26, TX4, TXC9, TXDU, TXU, UXU, VA2, VG24 VG29, VGE2, VGE4, VHA9, VHH4, VMS4, VPM4, VPM5, VPM8, VPM9 VPR4, VSD, VSD2, VSD7, VSD9, VWA2, VX2, VX4, VXE9, VXU1, VXW2 WKS, WKT2, WKT4, WKT6, WMB0
	87528-Z4M-000	MARK, CHOKE	-	1	1	-	1	1	-----	HH26, HH26/A, HHQ4, HX2, HX2/A, HX4, HX4/A, HXE8, HXE8/A, LHN4 LHN4/A, LHQ4, LX2, LX2/A, LX4, LX4/A, LXM2, LXM2/A, PXU, PXU/A QA2, QA2/A, QAX2, QAX4, QAX4/A, QBC2, QBM2, QBM2/A, QC9, QC9/A QCM, QCM/A, QGR9, QGR9/A, QH26, QH26/A, QHG4, QHG4/A, QHQ4 QHQ4/A, QMC6, QMC6/A, QMC8, QMC8/A, QMD6, QMD6/A, QME4 QME4/A, QMP4, QMX2, QMX2/A, QMXC, QPU, QWA4, QWA4/A, QWX2 QWX2/A, QX2, QX2/A, QX4, QX4/A, QX9, QX9/A, QXC9, QXE2, QXE2/A QXE5, QXE5/A, QXE8, QXE8, QXGB, QXGB, QXM2, QXS2, QXS2/A, QXU, QXU/A RH2, RH2/A, RHG4, RHG4/A, RHQ4, RHQ4/A, RX4, RX4/A, RXE2 RXE2/A, RXU, RXU/A, S1CY, S1CY/A, SCM, SCM/A, SD16, SD16/A SG24, SG24/A, SHCC, SHCC/A, SHQ4, SHQ4/A, SHRY, SHRY/A, SMC7 SMC7/A, SMC9, SMC9/A, SMW2, SMW2/A, SMX4, SMX4/A, SMXC, SMXE SMXE/A, SSS2, SSS2/A, SWX2, SWX2/A, SX4, SX4/A, SX9, SX9/A SXE5, SXE5/A, SXS4, SXS4/A, SXU, SXU/A, TX2, TX2/A, TX4, TX4/A TXC9, TXDU, TXDU/A, UXU, UXU/A, VA2, VA2/A, VCG, VCG/A, VG25 VG25/A, VG29, VGE4, VHH4, VHH4/A, VSD9, VSD9/A, VX2, VX2/A VXE9, VXE9/A, VXU1, VXU1/A, WKS, WKS/A, WKT2, WKT2/A, WMB0 WMB0/A, WMT4, WMT4/A



E-28

LABEL



Z4M0E2800E

Ref. No.	Part No.	Description	Reqd. QTY						Serial No.	Parts catalogue code
			GX 160 UT1	GX 160 UT2	GX 160 UT2X	GX 160 RT1	GX 160 RT2	GX 160 RT2X		
5	87532-ZH7-000	MARK, THROTTLE INDICATION	1	1	1	1	1	1	-----	HH26, HH26/A, HHQ4, HX2, HX2/A, HX4, HX4/A, HXE8, HXE8/A, HXU LHN4, LHN4/A, LHQ4, LX2, LX2/A, LX26, LX4, LX4/A, LXM2, LXM2/A LXU, PXU, PXU/A, QA2, QA2/A, QA26, QAX2, QAX4, QAX4/A, QBC2 QBM2, QBM2/A, QBT6, QC9, QC9/A, QCB2, QCL, QCM, QCM/A, QGR9 QGR9/A, QH26, QH26/A, QHG4, QHG4/A, QHQ4, QHQ4/A, QHQ4, QKA4 QMC6, QMC6/A, QMC8, QMC8/A, QMD6, QMD6/A, QME4, QME4/A, QMP4 QMX2, QMX2/A, QMXC, QMZ2, QNT, QNT4, QPU, QWA4, QWA4/A, QWX2 QWX2/A, QX2, QX2/A, QX26, QX4, QX4/A, QX7, QX9, QX9/A, QXC4 QXC9, QXE2, QXE2/A, QXE4, QXE5, QXE5/A, QXE8, QXE8, QXF2, QXGB QXM2, QXP2, QXS2, QXS2/A, QXU, QXU/A, QXW, QXWE, QXWE/A, RH2 RH2/A, RHG4, RHG4/A, RHQ4, RHQ4/A, RTB2, RX4, RX4/A, RXE2 RXE2/A, RXP2, RXU, RXU/A, S1CY, S1CY/A, SCM, SCM/A, SD16 SD16/A, SG22, SG24, SG24/A, SHCC, SHCC/A, SHQ4, SHQ4/A, SHQU SHRY, SHRY/A, SMC7, SMC7/A, SMC9, SMC9/A, SMM2, SMM2/A, SMX4 SMX4/A, SMXC, SMXE, SMXE/A, SSS2, SSS2/A, SWG4, SWG4/A, SWX2 SWX2/A, SX2, SX4, SX4/A, SX7, SX9, SX9/A, SXE4, SXE5, SXE5/A SXS, SXS2, SXS4, SXS4/A, SXU, SXU/A, TCS2, TX2, TX2/A, TX26 TX4, TX4/A, TXC9, TXDU, TXDU/A, TXU, UXU, UXU/A, VA2, VA2/A VCG, VCG/A, VES6, VES6/A, VG24, VG25, VG25/A, VG29, VX2, VX2/A VX4, VXE9, VXE9/A, VXX2, WKS, WKS/A, WKT2, WKT2/A, WKT4, WKT6 WMB0, WMB0/A, WMT4, WMT4/A
6	87532-ZH9-W41	MARK, ENGINE SWITCH	1	-	-	-	1	-	-----	VS17, VS19, VSD1
7	87528-ZB2-630	MARK, CHOKE	1	-	-	-	1	-	-----	VPM4, VPM5, VPM8, VPM9, VPMN, VPR4, VPR9
8	87516-Z4H-000	MARK, OPERATOR CAUTION (ENGLISH)(MADE IN THAI)	1	-	-	1	-	-	-----	2566537 QCL, QHG4, RHG4, SWG4, TCS2, VGE4, VHA9, VHH4, VPM4, VPM5, VPM8 VPM9, VPMN, VPR4, VPR9, VS17, VS19, VSD1, VMM2, VMMN, VXX2



E-28

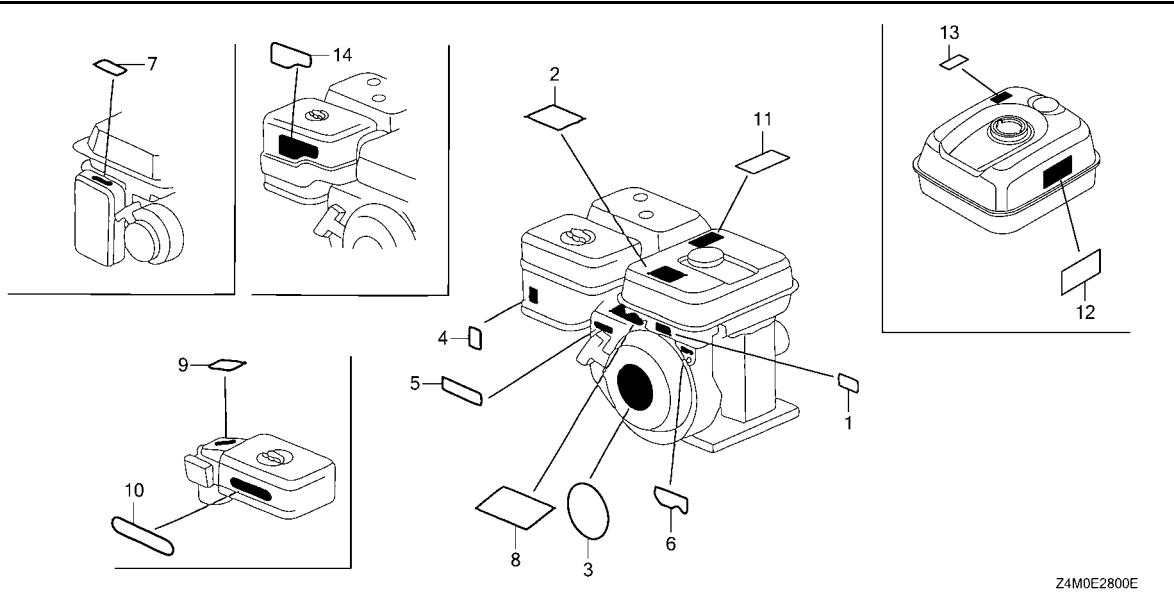
LABEL

Ref. No.	Part No.	Description	Reqd. QTY						Serial No.	Parts catalogue code
			GX 160 UT1	GX 160 UT2	GX 160 UT2X	GX 160 RT1	GX 160 RT2	GX 160 RT2X		
(8)	87519-24H-000	MARK, OPERATOR CAUTION (PICTOGRAPH)	1	-	-	1	-	-	2566538	----- QHG4, RHG4, SWG4, VGE4, VGE5, VHA9, VHH4, VPM4, VPM5, VPM8 VPM9, VPR4, VPR9, VS17, VS19
	87516-24H-010	MARK, OPERATOR CAUTION (ENGLISH)(MADE IN THAI)	1	-	-	-	-	-	-----	VGE2
	87516-24H-810	MARK, OPERATOR CAUTION (PICTOGRAPH)(MADE IN THAI)	(1)	-	-	-	-	-	-----	2431397 QCL, QHG4, TCS2, VGE4, VGE5, VHA9, VHH4, VPM4, VPM5, VPM8, VPM9 VPMN, VPR4, VPR9, VS17, VS19, VSD1, VWW2, VWWN, VXW2
	87516-24H-010	MARK, OPERATOR CAUTION (ENGLISH)(MADE IN THAI)	1	-	-	-	-	-	2566538	----- QCL, TCS2, VPMN, VSD1, VWW2, VWWN, VXW2
	87516-ZH7-810	MARK, OPERATOR CAUTION (PICTOGRAPH)(MADE IN JAPAN)	-	-	-	(1)	-	-	-----	2566537
	87516-24H-010	MARK, OPERATOR CAUTION (ENGLISH)(MADE IN THAI)	-	-	-	-	1	-	-----	EMAN, VWS, VWS1, VWWN
	87519-24H-000	MARK, OPERATOR CAUTION (PICTOGRAPH)	-	-	-	-	1	-	-----	----- QHG4, RHG4, SWG4, VGE4, VGE5, VHH4, VPM5, VS19 4612560 QHG4/A, RHG4/A
	87516-24H-010	MARK, OPERATOR CAUTION (ENGLISH)(MADE IN THAI)	-	-	-	-	1	-	-----	4614513 EMAN/A, VWWN/A
	87519-24H-010	MARK, OPERATOR CAUTION (PICTOGRAPH)	-	-	-	-	1	-	4612561	----- QHG4/A, RHG4/A
	87516-24H-020	MARK, OPERATOR CAUTION (ENGLISH)(MADE IN THAI)	-	-	-	-	1	-	4614514	----- EMAN/A, VWWN/A
	87519-24H-010	MARK, OPERATOR CAUTION (PICTOGRAPH)	-	-	-	-	-	1	-----	----- QHG4, RHG4 QNT4, QXC4, QXC9, TXC9, VG29
9	87534-ZE1-841	LABEL, AIR CLEANER CAUTION...	1	-	-	-	-	-	-----	----- QMXC, QNT4, QXC4, QXC9, SMXC, TXC9, VG29
10	87535-ZE1-841	MARK, AIR CLEANER SALES POINT	1	1	-	-	-	-	-----	-----
11	87539-Z0J-000	MARK, EX. CAUTION(ENGLISH)...	1	-	-	-	-	-	-----	----- QHQU, QXP2, RXP2, SG22, SHQU, SX2, SXS, SXS2, VSD2 2566538 ----- HH26, HX2, HXE8, HXU, LHQ4, LX2, LX26, LXU, PXU, QA2, QA26, QAX2 QBM2, QBT6, QCB2, QGR9, QH26, QMP4, QM22, QWX2, QX2, QX26, QXC9 QXE2, QXE8, QXF2, QXS2, QXU, RH2, RTB2, RXE2, RXU, SD16, SSX2 SWX2, SXU, TX2, TXC9, TXDU, TXU, UXU, VA2, VWA2, VX2, VX4, VXU1 WKT2, WKT6
12	87516-24H-010	MARK, OPERATOR CAUTION (ENGLISH)(MADE IN THAI)	-	1	-	-	-	-	-----	----- HH26, HX2, HXE8, LX2, LXM2, PXU, QA2, QAX2, QBM2, QC9, QCM, QGR9 QH26, QMX2, QMXC, QWX2, QWX2/A, QX2, QXE2, QXE8, QXM2, QXS2 QXS2/A, QXU, RH2, RXE2, RXU, RXU/A, SCM, SD16, SMW2, SMXC, SSX2 SWX2, SXU, TX2, TXDU, UXU, VA2, VX2, VX2/A, VXU1, VXU1/A, WKT2
	87519-24H-000	MARK, OPERATOR CAUTION (PICTOGRAPH)	-	1	-	-	-	-	-----	----- HHQ4, HX4, LHN4, LHN4/A, LHQ4, LX4, QAX4, QBC2, QHQ4, QMC6 QMC8, QMD6, QME4, QMP4, QPU, QWA4, QX4, QX9, QXE5, QXWE, RHQ4 RX4, S1CY, SG24, SHQ4, SHRY, SMC7, SMC9, SMC9/A, SMXE, SX4, SX9 SX9/A, SXE5, SXS4, TX4, VCG, VCG/A, VG25, VG29, VSD9, VXE9, WKS WMB0, WMT4
	87516-24H-010	MARK, OPERATOR CAUTION (ENGLISH)(MADE IN THAI)	-	1	-	-	-	-	4611653	LX2/A, LXM2/A, PXU/A, QA2/A, QBM2/A, QC9/A, QCM/A, QGR9/A QH26/A, QX2/A, QXE2/A, QXGB, QXU/A, SCM/A, SD16/A, SMX4/A SWX2/A, SXU/A, TX2/A, TXDU/A, VA2/A, WKT2/A
	87519-24H-000	MARK, OPERATOR CAUTION (PICTOGRAPH)	-	1	-	-	-	-	4611653	LX4/A, QHQ4/A, QMC6/A, QMC8/A, QMD6/A, QME4/A, QWA4/A, QX4/A QX9/A, QXEB, SG24/A, SHQ4/A, SMC7/A, SMXE/A, SX4/A, SXS4/A TX4/A, VG25/A, VSD9/A, VXE9/A, WKS/A
	87516-24H-010	MARK, OPERATOR CAUTION (ENGLISH)(MADE IN THAI)	-	1	-	-	-	-	4612560	HH26/A, HX2/A, HXE8/A, QMX2/A, RH2/A, RXE2/A, SMW2/A, SSX2/A UXU/A



E-28

LABEL



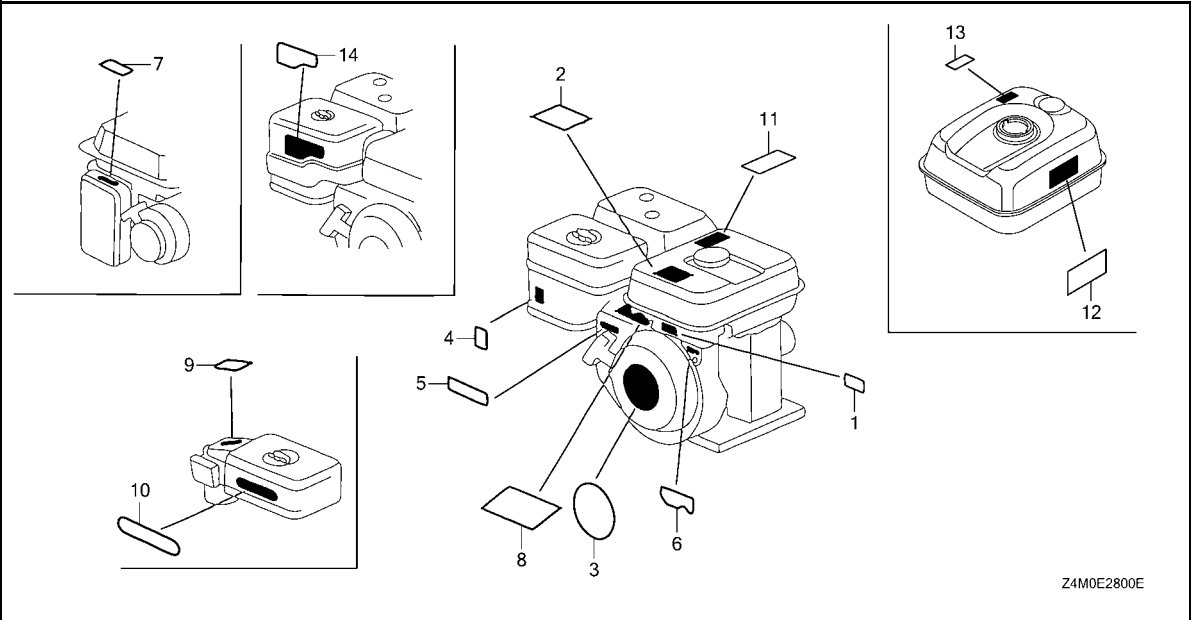
Z4M0E2800E

Ref. No.	Part No.	Description	Reqd. QTY							Serial No.	Parts catalogue code
			GX 160 UT1	GX 160 UT2	GX 160 UT2X	GX 160 RT1	GX 160 RT2	GX 160 RT2X			
12)	87519-Z4H-000	MARK, OPERATOR CAUTION (PICTOGRAPH)	-	1	-	-	-	-	-	4612560	HX4/A, QAX4/A, QXE5/A, QXWE/A, RHQ4/A, RX4/A, S1CY/A, SHRY/A, SXE5/A, WMB0/A, WMT4/A
	87516-Z4H-020	MARK, OPERATOR CAUTION (ENGLISH)(MADE IN THAI)	-	1	-	-	-	-	-	4611654	LX2/A, LXM2/A, PXU/A, QA2/A, QBM2/A, QC9/A, QCM/A, QGR9/A, QH26/A, QX2/A, QXE2/A, QXGB, QXU/A, SCM/A, SD16/A, SMX4/A, SWX2/A, SXU/A, TX2/A, TXDU/A, VA2/A, WKT2/A
	87519-Z4H-010	MARK, OPERATOR CAUTION (PICTOGRAPH)	-	1	-	-	-	-	-	4611654	LX4/A, QHQ4/A, QMC6/A, QMC8/A, QMD6/A, QME4/A, QWA4/A, QX4/A, QX9/A, QXEB, SG24/A, SHQ4/A, SMC7/A, SMXE/A, SX4/A, SXS4/A, TX4/A, VG25/A, VSD9/A, VXE9/A, WKS/A
	87516-Z4H-020	MARK, OPERATOR CAUTION (ENGLISH)(MADE IN THAI)	-	1	-	-	-	-	-	4612561	HH26/A, HX2/A, HXE8/A, QMX2/A, RH2/A, RXE2/A, SMW2/A, SSS2/A, UXU/A
	87519-Z4H-010	MARK, OPERATOR CAUTION (PICTOGRAPH)	-	1	-	-	-	-	-	4612561	HX4/A, QAX4/A, QXE5/A, QXWE/A, RHQ4/A, RX4/A, S1CY/A, SHRY/A, SXE5/A, WMB0/A, WMT4/A
	87516-Z4H-020	MARK, OPERATOR CAUTION (ENGLISH)(MADE IN THAI)	-	-	1	-	-	-	-	-	HH26, HX2, HXE8, LX2, LXM2, PXU, QA2, QBM2, QC9, QCM, QGR9, QH26, QMX2, QX2, QXE2, QXGB, QXU, RH2, RXE2, SCM, SD16, SMW2, SMX4, SSS2, SWX2, SXU, TX2, TXDU, UXU, VA2, WKT2
	87519-Z4H-010	MARK, OPERATOR CAUTION (PICTOGRAPH)	-	-	1	-	-	-	-	-	HX4, LX4, QAX4, QHQ4, QMC6, QMC8, QMD6, QME4, QWA4, QX4, QX9, QXE5, QXEB, QXWE, RHQ4, RX4, S1CY, SG24, SHQ4, SHRY, SMC7, SMXE, SX4, SXE5, SXS4, TX4, VG25, VSD9, VXE9, WKS, WMB0, WMT4



E-28

LABEL

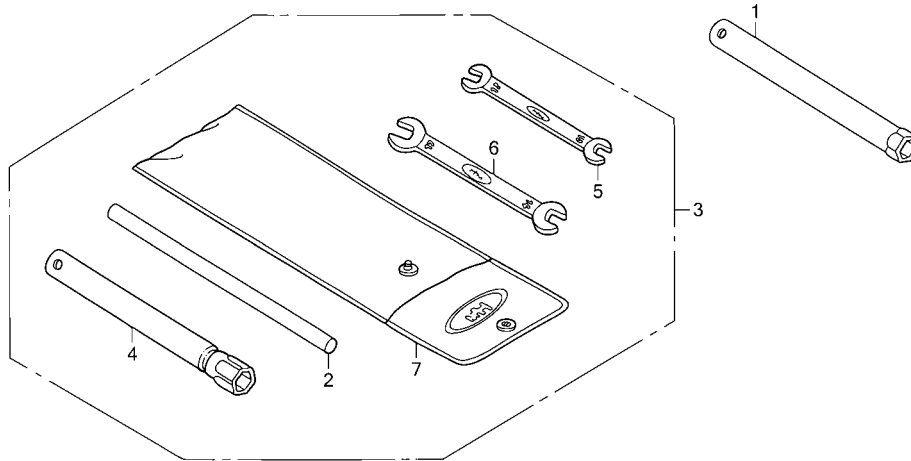


Ref. No.	Part No.	Description	Reqd. QTY						Serial No.	Parts catalogue code
			GX 160 UT1	GX 160 UT2	GX 160 UT2X	GX 160 RT1	GX 160 RT2	GX 160 RT2X		
13	87539-Z4M-000	MARK, EX. CAUTION(ENGLISH)...	-	1	1	-	-	-	-----	HH26, HH26/A, HX2, HX2/A, HXE8, HXE8/A, LX2, LX2/A, LXM2, LXM2/A, PXU, PXU/A, QA2, QA2/A, QAX2, QBM2, QBM2/A, QC9, QC9/A, QCM, QCM/A, QGR9, QGR9/A, QH26, QH26/A, QMX2, QMX2/A, QMXX, QWX2, QWX2/A, QX2, QX2/A, QXC9, QXE2, QXE2/A, QXE8, QXGB, QXM2, QXS2, QXS2/A, QXU, QXU/A, RH2, RH2/A, RXE2, RXE2/A, RXU, RXU/A, SCM, SCM/A, SD16, SD16/A, SMW2, SMW2/A, SMX4, SMX4/A, SMXC, SSSX2, SSSX2/A, SWX2, SWX2/A, SXU, SXU/A, TX2, TX2/A, TXC9, TXDU, TXDU/A, UXU, UXU/A, VA2, VA2/A, VX2, VX2/A, VXU1, VXU1/A, WKT2/A, QC9, QC9/A, QCM, QCM/A, SCM, SCM/A, VCG, VCG/A
14	87602-Z0V-780	MARK, SALES POINT.....	-	1	1	-	-	-	-----	



E-29

TOOL



Z4M0E2900B

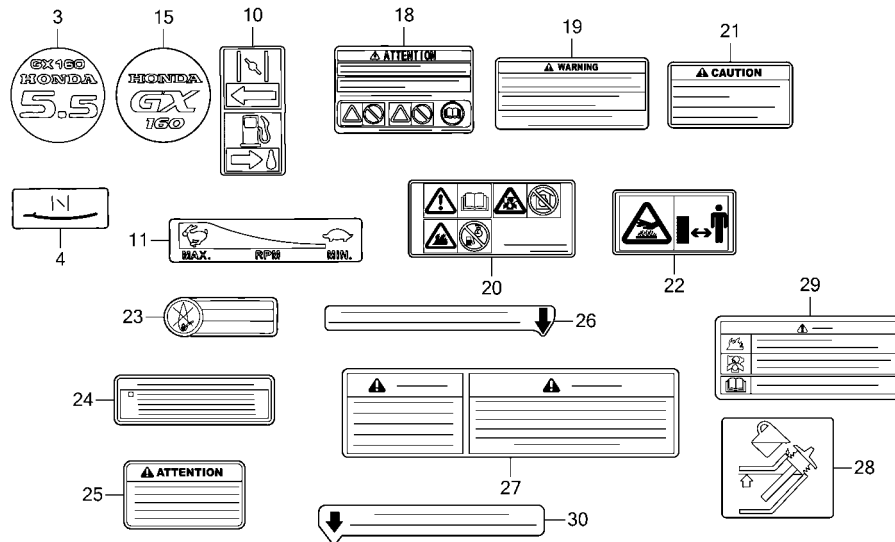
Ref. L.O.N. (Relative ref. Number) F.R.T.
 No. Description

NO INFORMATION

Ref. No.	Part No.	Description	Reqd. QTY							Serial No.	Parts catalogue code
			GX 160 UT1	GX 160 UT2	GX 160 UT2X	GX 160 RT1	GX 160 RT2	GX 160 RT2X			
1	89216-Z0T-800	WRENCH, SPARK PLUG	1	1	1	-	1	1	-----	EMAN, EMAN/A, LXM2, LXM2/A, PXU, PXU/A, QBC2, QBM2, QBM2/A, QCM, QCM/A, QMC8, QMC8/A, QMD6, QMD6/A, QMX2, QMX2/A, QMXC, QMZ2, QNT4, QWA4, QWA4/A, QXM2, QXU, QXU/A, S1CY, S1CY/A, SCM, SCM/A, SHCC, SHCC/A, SHRY, SHRY/A, SMC7, SMC7/A, SMC9, SMC9/A, SMX4, SMX4/A, SMXC, SMXE, SMXE/A, SSSX2, SSSX2/A, SWG4, SWG4/A, SXU, SXU/A, TXDU, TXDU/A, TXU, VXU1, VXU1/A, WKS, WKS/A, WKT2, WKT2/A, WKT4, WKT6, WMB0, WMB0/A, WMT4, WMT4/A, QA2, QA2/A, QA26, QC9, QC9/A, QNT, QXC4, QXC9, TXC9, VCG, VCG/A, VG29	
2	89219-805-000	HANDLE, BOX WRENCH	1	1	1	1	1	-	-----	QCM, QCM/A, QMX2, QMX2/A, QMXC, SCM, SCM/A, SHCC, SHCC/A, SMX4, SMX4/A, SMXC, SMXE, SMXE/A, SWG4, SWG4/A, WKS, WKS/A	
3	89000-ZE1-000	TOOL KIT	-	-	-	1	-	-	-----	SWG4	
4	89216-Z0T-000	WRENCH, BOX	-	1	-	-	-	-	-----	SMW2/A	
	89216-809-000	WRENCH COMP., SPARK PLUG	-	1	-	-	-	-	1018683	SMW2	
	89216-Z0T-000	WRENCH, BOX	-	1	-	-	-	-	1018684	SMW2	
			-	-	1	-	-	-	-----	SMW2	
	89218-ZE1-000	WRENCH COMP., SPARK PLUG	-	-	-	1	-	-	-----	SWG4	
5	99001-10120	SPANNER, 10X12	-	-	-	1	-	-	-----	SWG4	
	89212-KWW-601	-	-	-	1	-	-	2376978	SWG4	
			-	-	-	-	1	-	-----	SWG4, SWG4/A	
6	99001-14170	SPANNER, 14X17	-	-	-	1	-	-	-----	SWG4	
	89214-KWW-601	-	-	-	1	-	-	2376978	SWG4	
7	99008-02300	BAG, TOOL, 230MM	-	-	-	1	-	-	-----	SWG4	
	89101-Z0T-800	-	-	-	-	-	-	-----	SWG4	
		(LOCAL PROCUREMENT)	-	-	-	-	1	-	-----	SWG4/A	
	99008-02300	-	-	-	-	1	-	1442322	SWG4	
	89101-Z0T-800	-	-	-	-	-	-	-----	SWG4	
		(LOCAL PROCUREMENT)	-	-	-	-	1	-	1442323	SWG4	

E-40

OTHER PARTS(1)



Z4M0E4000G

Ref. L.O.N. (Relative ref. Number) F.R.T.
No. Description

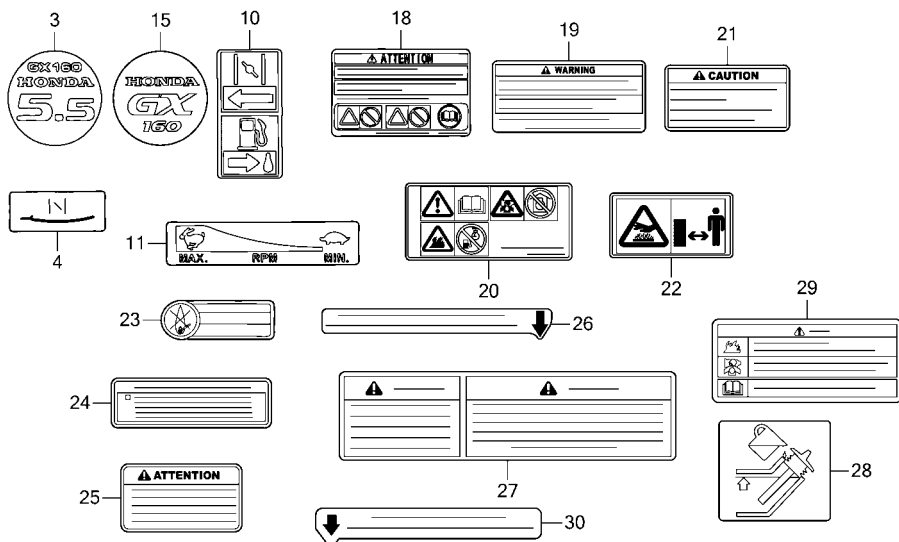
NO INFORMATION

Ref. No.	Part No.	Description	Reqd. QTY						Serial No.	Parts catalogue code
			GX 160 UT1	GX 160 UT2	GX 160 UT2X	GX 160 RT1	GX 160 RT2	GX 160 RT2X		
3	87521-ZH8-030	EMBLEM(GX160 5.5)	1	-	-	-	-	-	1782484	VPM4, VPM5, VPM8, VPM9, VPR4, VPR9
4	87528-ZB2-630	MARK, CHOKE	1	-	-	-	1	1	-----	EMAN, EMAN/A, VES6, VES6/A, VS17, VS19, VSD1, VWS, VWS1 VWS1/A, VWW2, VWWN, VWWN/A
10	87528-ZH7-000	MARK, CHOKE(GRAY)	1	-	-	-	-	-	-----	QW24, QWW2, TW24
11	87532-ZH7-000	MARK, THROTTLE INDICATION	1	-	-	-	-	-	-----	QW24, QWW2, TW24
15	87521-ZH8-040	EMBLEM(GX160)	1	-	-	1	-	-	-----	SWG4, VPMN
	87521-Z4M-000	1	-	-	-	-	1782485	-----	VPM4, VPM5, VPM8, VPM9, VPR4, VPR9
		-	-	-	-	1	1	-----	SWG4, SWG4/A, VPM5, VWS, VWS1, VWS1/A
18	87516-Z4H-800	MARK, OPERATOR CAUTION(FRENCH) (MADE IN THAI)	1	-	-	1	-	-	2566537	HH26, HHQ4, HX2, HX4, HXE8, HXU, LHQ4, LX2, LX26, LX4, LXU, PXU QA2, QA26, QAX2, QBC2, QBM2, QBT6, QCB2, QCL, QGR9, QH26, QHG4 QH4, QKA4, QMC6, QMC8, QMD6, QME4, QMP4, QMZ2, QNT, QNT4, QPU QW24, QWA4, QWW2, QWX2, QX2, QX26, QX4, QX7, QX9, QXC9, QXE2 QXE4, QXE5, QXE8, QXF2, QXS2, QXU, QXW, QXWE, RH2, RHG4, RHQ4 RTB2, RX4, RXE2, RXU, SD16, SG24, SHQ4, SMC7, SMC9, SSX2, SWG4 SWX2, SX4, SX7, SX9, SXE4, SXE5, SXS4, SXU, TCS2, TW24, TX2 TX26, TX4, TXC9, TXDU, TXU, UXU, VA2, VG24, VG29, VGE4, VHA9 VHH4, VMS4, VPM4, VPM5, VPM8, VPM9, VPMN, VPR4, VPR9, VS17 VS19, VSD, VSD1, VSD7, VSD9, VWA2, VWW2, VWWN, VX2, VX4, VXE9 VXU1, VXW2, WKS, WKT2, WKT4, WKT6, WMB0



E-40

OTHER PARTS(1)



Z4M0E4000G

Ref. No.	Part No.	Description	Reqd. QTY						Serial No.	Parts catalogue code
			GX 160 UT1	GX 160 UT2	GX 160 UT2X	GX 160 RT1	GX 160 RT2	GX 160 RT2X		
19	87516-Z4H-801	MARK, OPERATOR CAUTION(FRENCH) (MADE IN THAI)	1	-	-	1	-	-	2566538	HH26, HHQ4, HX2, HX4, HXE8, HXU, LHQ4, LX2, LX26, LX4, LXU, PXU QA2, QA26, QAX2, QBC2, QBM2, QBT6, QCB2, QCL, QGR9, QH26, QHG4 QHQ4, QKA4, QMC6, QMC8, QMD6, QME4, QMP4, QM22, QNT, QNT4, QPU QW24, QWA4, QWW2, QWX2, QX2, QX26, QX4, QX7, QX9, QXC9, QXE2 QXE4, QXE5, QXE8, QXF2, QXS2, QXU, QXW, QXWE, RH2, RHG4, RHQ4 RTB2, RX4, RXE2, RXU, SD16, SG24, SHQ4, SMC7, SMC9, SSX2, SWG4 SWX2, SX4, SX7, SX9, SXE4, SXE5, SXS4, SXU, TCS2, TW24, TX2 TX26, TX4, TXC9, TXDU, TXU, UXU, VA2, VG24, VG29, VGE4, VGE5 VHA9, VHH4, VMS4, VPM4, VPM5, VPM8, VPM9, VPMN, VPR4, VPR9 VS17, VS19, VSD, VSD1, VSD7, VSD9, VWA2, VWW2, VWWN, VX2, VX4 VXE9, VXU1, VXW2, WKS, WKT2, WKT4, WKT6, WMB0
	87516-Z4H-010	MARK, OPERATOR CAUTION (ENGLISH)(MADE IN THAI)	1	-	-	1	-	-	2566538	HHQ4, HX4, LX4, QBC2, QHG4, QHQ4, QKA4, QMC6, QMC8, QMD6, QME4 QNT, QNT4, QPU, QW24, QWA4, QWW2, QX4, QX7, QX9, QXE4, QXE5, QXW QXWE, RHG4, RHQ4, RX4, SG24, SHQ4, SMC7, SMC9, SWG4, SX4, SX7 SX9, SXE4, SXE5, SXS4, TW24, TX26, TX4, VG24, VG29, VGE4, VGE5 VHA9, VHH4, VMS4, VPM4, VPM5, VPM8, VPM9, VPR4, VPR9, VS17 VS19, VSD, VSD1, VSD7, VSD9, VXE9, WKT4, WMB0
	87516-Z4H-801	MARK, OPERATOR CAUTION(FRENCH) (MADE IN THAI)	1	-	-	-	-	-	-----	QAX4, QHQU, QXC4, QXP2, RXP2, SG22, SHQU, SX2, SXS, SXS2, VGE2 VSD2
	87516-Z4H-010	MARK, OPERATOR CAUTION (ENGLISH)(MADE IN THAI)	1	-	-	-	-	-	-----	QAX4, QXC4
			1	-	-	-	-	-	2458667	WKS

E-40

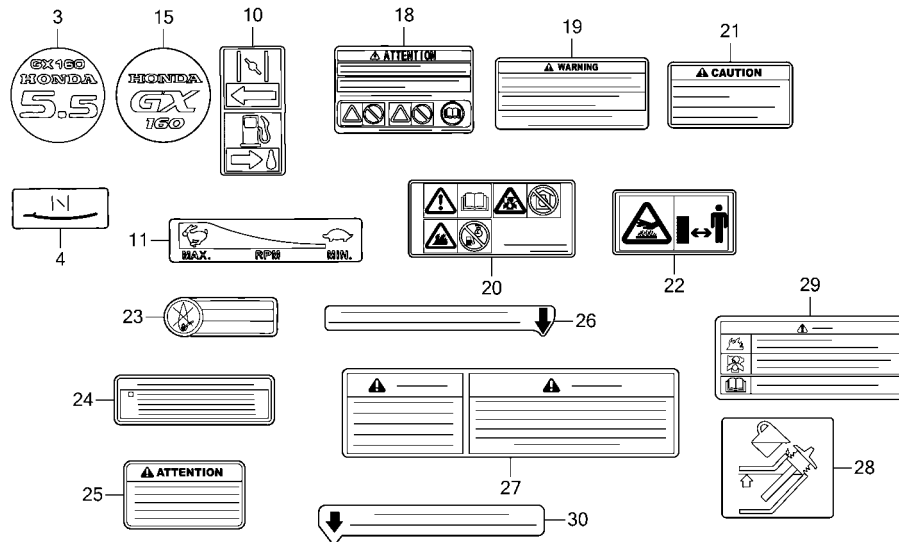
OTHER PARTS(1)

Ref. No.	Part No.	Description	Reqd. QTY						Serial No.	Parts catalogue code
			GX 160 UT1	GX 160 UT2	GX 160 UT2X	GX 160 RT1	GX 160 RT2	GX 160 RT2X		
19)	87516-Z4H-801	MARK, OPERATOR CAUTION(FRENCH) (MADE IN THAI)	-	1	-	-	1	-	EMAN, HH26, HHQ4, HX2, HX4, HXE8, LHN4, LHN4/A, LHQ4, LX2, LX4, LXM2, PXU, QA2, QAX2, QAX4, QBC2, QBM2, QC9, QCM, QGR9, QH26, QHG4, QHQ4, QMC6, QMC8, QMD6, QME4, QMP4, QMX2, QMXC, QPU, QWA4, QWX2, QWX2/A, QX2, QX4, QX9, QXC9, QXE2, QXE5, QXE8, QXM2, QXS2, QXS2/A, QXU, QXWE, RH2, RHG4, RHQ4, RX4, RXE2, RXU, RXU/A, S1CY, SCM, SD16, SG24, SHCC, SHQ4, SHRY, SMC7, SMC9, SMC9/A, SMW2, SMX4, SMXC, SMXE, SSX2, SWG4, SWG4/A, SWX2, SX4, SX9, SX9/A, SXE5, SXS4, SXU, TX2, TX4, TXC9, TXDU, UXU, VA2, VCG, VCG/A, VES6, VG25, VG29, VGE4, VGE5, VHH4, VHH4/A, VPM5, VS19, VSD9, VWS, VWS1, VWN, VX2, VX2/A, VXE9, VXU1, VXU1/A, WKS, WKT2, WMB0, WMT4	
	87516-Z4H-010	MARK, OPERATOR CAUTION (ENGLISH)(MADE IN THAI)	-	1	-	-	1	-	HHQ4, HX4, LHN4, LHN4/A, LHQ4, LX4, QAX4, QBC2, QHG4, QHQ4, QMC6, QMC8, QMD6, QME4, QMP4, QPU, QWA4, QX4, QX9, QXE5, QXWE, RHG4, RHQ4, RX4, S1CY, SG24, SHCC, SHQ4, SHRY, SMC7, SMC9, SMC9/A, SMXE, SWG4, SWG4/A, SX4, SX9, SX9/A, SXE5, SXS4, TX4, VCG, VCG/A, VES6, VG25, VG29, VGE4, VGE5, VHH4, VHH4/A, VPM5, VS19, VSD9, VXE9, WKS, WMB0, WMT4	
	87516-Z4H-801	MARK, OPERATOR CAUTION(FRENCH) (MADE IN THAI)	-	1	-	-	-	4611653	LX2/A, LX4/A, LXM2/A, PXU/A, QA2/A, QBM2/A, QC9/A, QCM/A, QGR9/A, QH26/A, QHQ4/A, QMC6/A, QMC8/A, QMD6/A, QME4/A, QWA4/A, QX2/A, QX4/A, QX9/A, QXE2/A, QXEB, QXGB, QXU/A, SCM/A, SD16/A, SG24/A, SHCC/A, SHQ4/A, SMC7/A, SMX4/A, SMXE/A, SWX2/A, SX4/A, SXS4/A, SXU/A, TX2/A, TX4/A, TXDU/A, VA2/A, VG25/A, VSD9/A, VXE9/A, WKS/A, WKT2/A	
	87516-Z4H-010	MARK, OPERATOR CAUTION (ENGLISH)(MADE IN THAI)	-	1	-	-	-	4611653	LX4/A, QHQ4/A, QMC6/A, QMC8/A, QMD6/A, QME4/A, QWA4/A, QX4/A, QX9/A, QXEB, SG24/A, SHCC/A, SHQ4/A, SMC7/A, SMXE/A, SX4/A, SXS4/A, TX4/A, VG25/A, VSD9/A, VXE9/A, WKS/A	
	87516-Z4H-801	MARK, OPERATOR CAUTION(FRENCH) (MADE IN THAI)	-	1	-	-	-	4612560	HH26/A, HX2/A, HX4/A, HXE8/A, QAX4/A, QMX2/A, QXE5/A, QXWE/A, RH2/A, RHQ4/A, RX4/A, RXE2/A, S1CY/A, SHRY/A, SMW2/A, SSX2/A, SXE5/A, UXU/A, WMB0/A, WMT4/A	
	87516-Z4H-010	MARK, OPERATOR CAUTION (ENGLISH)(MADE IN THAI)	-	1	-	-	-	4612560	HX4/A, QAX4/A, QXE5/A, QXWE/A, RHQ4/A, RX4/A, S1CY/A, SHRY/A, SXE5/A, WMB0/A, WMT4/A	
	87516-Z4H-802	MARK, OPERATOR CAUTION(FRENCH) (MADE IN THAI)	-	1	-	-	-	4611654	LX2/A, LX4/A, LXM2/A, PXU/A, QA2/A, QBM2/A, QC9/A, QCM/A, QGR9/A, QH26/A, QHQ4/A, QMC6/A, QMC8/A, QMD6/A, QME4/A, QWA4/A, QX2/A, QX4/A, QX9/A, QXE2/A, QXEB, QXGB, QXU/A, SCM/A, SD16/A, SG24/A, SHCC/A, SHQ4/A, SMC7/A, SMX4/A, SMXE/A, SWX2/A, SX4/A, SXS4/A, SXU/A, TX2/A, TX4/A, TXDU/A, VA2/A, VG25/A, VSD9/A, VXE9/A, WKS/A, WKT2/A	
	87516-Z4H-020	MARK, OPERATOR CAUTION (ENGLISH)(MADE IN THAI)	-	1	-	-	-	4611654	LX4/A, QHQ4/A, QMC6/A, QMC8/A, QMD6/A, QME4/A, QWA4/A, QX4/A, QX9/A, QXEB, SG24/A, SHCC/A, SHQ4/A, SMC7/A, SMXE/A, SX4/A, SXS4/A, TX4/A, VG25/A, VSD9/A, VXE9/A, WKS/A	
	87516-Z4H-802	MARK, OPERATOR CAUTION(FRENCH) (MADE IN THAI)	-	1	-	-	-	4612561	HH26/A, HX2/A, HX4/A, HXE8/A, QAX4/A, QMX2/A, QXE5/A, QXWE/A, RH2/A, RHQ4/A, RX4/A, RXE2/A, S1CY/A, SHRY/A, SMW2/A, SSX2/A, SXE5/A, UXU/A, WMB0/A, WMT4/A	
	87516-Z4H-020	MARK, OPERATOR CAUTION (ENGLISH)(MADE IN THAI)	-	1	-	-	-	4612561	HX4/A, QAX4/A, QXE5/A, QXWE/A, RHQ4/A, RX4/A, S1CY/A, SHRY/A, SXE5/A, WMB0/A, WMT4/A	



E-40

OTHER PARTS(1)



Z4M0E4000G

Ref. No.	Part No.	Description	Reqd. QTY						Serial No.	Parts catalogue code
			GX 160 UT1	GX 160 UT2	GX 160 UT2X	GX 160 RT1	GX 160 RT2	GX 160 RT2X		
19)	87516-Z4H-802	MARK, OPERATOR CAUTION(FRENCH) (MADE IN THAI)	-	-	1	-	-	1	-----	EMAN, HH26, HX2, HX4, HXE8, LX2, LX4, LXM2, PXU, QA2, QAX4, QBM2, QC9, QCM, QGR9, QH26, QHG4, QHQ4, QMC6, QMC8, QMD6, QME4, QMX2, QWA4, QX2, QX4, QX9, QXE2, QXE5, QXEB, QXGB, QXU, QXWE, RH2, RHG4, RHQ4, RX4, RXE2, S1CY, SCM, SD16, SG24, SHCC, SHQ4, SHRY, SMC7, SMW2, SMX4, SMXE, SSX2, SWX2, SX4, SXE5, SXS4, SXU, TX2, TX4, TXDU, UXU, VA2, VES6, VG25, VSD9, VVWN, VXE9, WKS, WKT2, WMB0, WMT4
	87516-Z4H-020	MARK, OPERATOR CAUTION (ENGLISH)(MADE IN THAI)	-	-	1	-	-	1	-----	HX4, LX4, QAX4, QHG4, QHQ4, QMC6, QMC8, QMD6, QME4, QWA4, QX4, QX9, QXE5, QXEB, QXWE, RHG4, RHQ4, RX4, S1CY, SG24, SHCC, SHQ4, SHRY, SMC7, SMXE, SX4, SXE5, SXS4, TX4, VES6, VG25, VSD9, VXE9, WKS, WMB0, WMT4
	87516-Z4H-801	MARK, OPERATOR CAUTION(FRENCH) (MADE IN THAI)	-	-	-	-	1	-	-----	4614513 EMAN/A, QHG4/A, RHG4/A, VES6/A, VVWN/A
	87516-Z4H-010	MARK, OPERATOR CAUTION (ENGLISH)(MADE IN THAI)	-	-	-	-	1	-	-----	4614513 QHG4/A, RHG4/A, VES6/A
	87516-Z4H-802	MARK, OPERATOR CAUTION(FRENCH) (MADE IN THAI)	-	-	-	-	1	-	4614514	----- EMAN/A, QHG4/A, RHG4/A, VES6/A, VVWN/A
	87516-Z4H-020	MARK, OPERATOR CAUTION (ENGLISH)(MADE IN THAI)	-	-	-	-	1	-	4614514	----- QHG4/A, RHG4/A, VES6/A

E-40

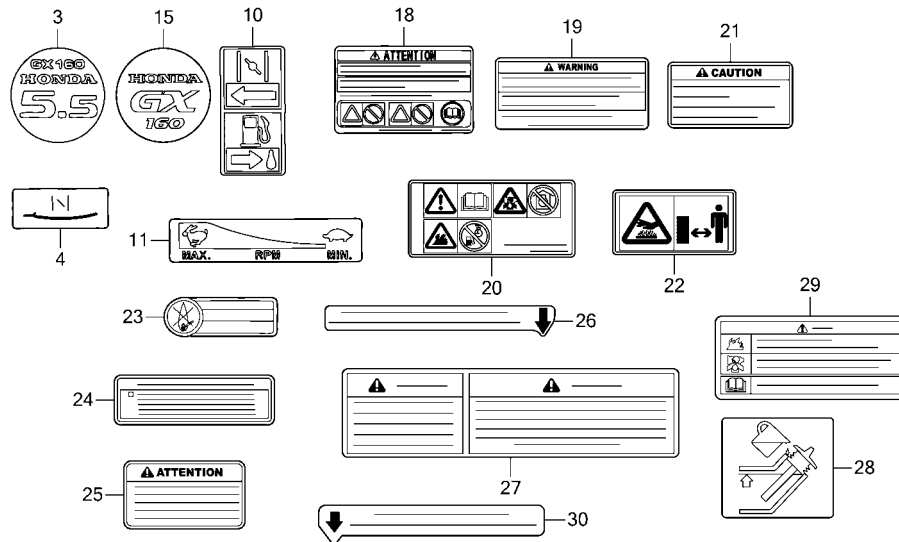
OTHER PARTS(1)

Ref. No.	Part No.	Description	Reqd. QTY						Serial No.	Parts catalogue code				
			GX 160 UT1	GX 160 UT2	GX 160 UT2X	GX 160 RT1	GX 160 RT2	GX 160 RT2X						
20	87519-24H-000	MARK, OPERATOR CAUTION (PICTOGRAPH)	1	-	-	-	-	-	-----	-----	QHQU, QXP2, RXP2, SG22, SHQU, SX2, SXS, SXS2, VGE2, VSD2 HH26, HX2, HXE8, HXU, LHQ4, LX2, LX26, LXU, PXU, QA2, QA26, QAX2 QBM2, QBT6, QCB2, QCL, QGR9, QH26, QMP4, QM22, QWX2, QX2, QX26 QXC9, QXE2, QXE8, QXF2, QXS2, QXU, RH2, RTB2, RXE2, RXU, SD16 SSX2, SWX2, SXU, TCS2, TX2, TXC9, TXDU, TXU, UXU, VA2, VPMN VSD1, VWA2, VWW2, VWWN, VX2, VX4, VXU1, VXW2, WKT2, WKT6 EMAN, HH26, HX2, HXE8, LX2, LXM2, PXU, QA2, QAX2, QBM2, QC9, QCM QGR9, QH26, QMX2, QMXC, QWX2, QWX2/A, QX2, QXC9, QXE2, QXE8 QXM2, QXS2, QXS2/A, QXU, RH2, RXE2, RXU, RXU/A, SCM, SD16, SHCC SMW2, SMX4, SMXC, SSX2, SWX2, SXU, TX2, TXC9, TXDU, UXU, VA2 VES6, VWS, VWS1, VWWN, VX2, VX2/A, VXU1, VXU1/A, WKT2 -----	-----	-----	
			1	-	-	-	-	-	2566538	-----	-----			
			-	1	-	-	1	-	-----	-----	EMAN, HH26, HX2, HXE8, LX2, LXM2, PXU, QA2, QAX2, QBM2, QC9, QCM QGR9, QH26, QMX2, QMXC, QWX2, QWX2/A, QX2, QXC9, QXE2, QXE8 QXM2, QXS2, QXS2/A, QXU, RH2, RXE2, RXU, RXU/A, SCM, SD16, SHCC SMW2, SMX4, SMXC, SSX2, SWX2, SXU, TX2, TXC9, TXDU, UXU, VA2 VES6, VWS, VWS1, VWWN, VX2, VX2/A, VXU1, VXU1/A, WKT2 -----	-----	-----	
	87519-24H-010	-	1	-	-	1	-	4612561	-----	EMAN/A, HH26/A, HX2/A, HXE8/A, QMX2/A, RH2/A, RXE2/A, SMW2/A SSX2/A, UXU/A, VES6/A, VWWN/A	-----	-----	
	87519-24H-000	-	1	-	-	-	-	4611653	-----	LX2/A, LXM2/A, PXU/A, QA2/A, QBM2/A, QC9/A, QCM/A, QGR9/A QH26/A, QX2/A, QXE2/A, QXGB, QXU/A, SCM/A, SD16/A, SHCC/A SMX4/A, SWX2/A, SXU/A, TX2/A, TXDU/A, VA2/A, WKT2/A	-----	-----	
	87519-24H-010	-	1	-	-	-	-	4611654	-----	LX2/A, LXM2/A, PXU/A, QA2/A, QBM2/A, QC9/A, QCM/A, QGR9/A QH26/A, QX2/A, QXE2/A, QXGB, QXU/A, SCM/A, SD16/A, SHCC/A SMX4/A, SWX2/A, SXU/A, TX2/A, TXDU/A, VA2/A, WKT2/A	-----	-----	
			-	-	1	-	-	1	-----	-----	EMAN, HH26, HX2, HXE8, LX2, LXM2, PXU, QA2, QBM2, QC9, QCM, QGR9 QH26, QMX2, QX2, QXE2, QXGB, QXU, RH2, RXE2, SCM, SD16, SHCC SMW2, SMX4, SSX2, SWX2, SXU, TX2, TXDU, UXU, VA2, VES6, VWWN WKT2	-----	-----	
21	87539-20J-810	MARK, EX. CAUTION(FRENCH)	1	-	-	1	-	-	2566538	-----	-----	HH26, HHQ4, HX2, HX4, HXE8, HXU, LHQ4, LX2, LX26, LX4, LXU, PXU QA2, QA26, QAX2, QBC2, QBM2, QBT6, QCB2, QCL, QGR9, QH26, QHG4 QHQ4, QMC6, QMC8, QMD6, QME4, QMP4, QM22, QNT, QNT4, QPU, QW24 QWA4, QWW2, QWX2, QX2, QX26, QX4, QX7, QX9, QXC9, QXE2, QXE4 QXE5, QXE8, QXF2, QXS2, QXU, QXW, QXWE, RH2, RHG4, RHQ4, RTB2 RX4, RXE2, RXU, SD16, SG24, SHQ4, SMC7, SMC9, SSX2, SWX2, SX4 SX7, SX9, SXE4, SXE5, SXS4, SXU, TCS2, TW24, TX2, TX26, TX4 TXC9, TXDU, TXU, UXU, VA2, VG24, VG29, VHA9, VHH4, VMS4, VPM5 VSD, VSD7, VSD9, VWA2, VX2, VX4, VXE9, VXU1, VXW2, WKS, WKT2 WKT4, WKT6, WMB0	-----	-----
	87539-20J-000	MARK, EX. CAUTION(ENGLISH) ...	1	-	-	1	-	-	2566538	-----	-----	HHQ4, HX4, LX4, QBC2, QHG4, QHQ4, QKA4, QMC6, QMC8, QMD6, QME4 QNT, QNT4, QPU, QW24, QWA4, QWW2, QX4, QX7, QX9, QXE4, QXE5, QXW QXWE, RHG4, RHQ4, RX4, SG24, SHQ4, SMC7, SMC9, SX4, SX7, SX9 SXE4, SXE5, SXS4, TW24, TX26, TX4, VG24, VG29, VGE4, VGE5, VHA9 VHH4, VMS4, VPM4, VPM5, VPM8, VPM9, VPR4, VPR9, VS17, VS19, VSD VSD7, VSD9, VXE9, WKT4, WMB0	-----	-----
	87539-20J-810	MARK, EX. CAUTION(FRENCH)	1	-	-	-	-	-	-----	-----	QAX4, QHQU, QXC4, QXP2, RXP2, SG22, SHQU, SX2, SXS, SXS2, VSD2	-----	-----	
	87539-20J-000	MARK, EX. CAUTION(ENGLISH) ...	1	-	-	-	-	-	2458667	-----	-----	QAX4, QXC4 WKS	-----	-----
	87539-24M-000	-	1	1	-	1	1	-----	-----	HHQ4, HX4, HX4/A, LHN4, LHN4/A, LHQ4, LX4, LX4/A, QAX4, QAX4/A QBC2, QHG4, QHG4/A, QHQ4, QHQ4/A, QMC6, QMC6/A, QMC8, QMC8/A QMD6, QMD6/A, QME4, QME4/A, QMP4, QPU, QWA4, QWA4/A, QX4 QX4/A, QX9, QX9/A, QXE5, QXE5/A, QXEB, QXWE, QXWE/A, RHG4 RHG4/A, RHQ4, RHQ4/A, RX4, RX4/A, S1CY, S1CY/A, SG24, SG24/A SHCC, SHCC/A, SHQ4, SHQ4/A, SHRY, SHRY/A, SMC7, SMC7/A, SMC9 SMC9/A, SMXE, SMXE/A, SX4, SX4/A, SX9, SX9/A, SXE5, SXE5/A SXS4, SXS4/A, TX4, TX4/A, VCG, VCG/A, VG25, VG25/A, VG29, VHH4 VHH4/A, VSD9, VSD9/A, VXE9, VXE9/A, WKS, WKS/A, WMB0, WMB0/A WMT4, WMT4/A	-----	-----	



E-40

OTHER PARTS(1)



Z4M0E4000G

Ref. No.	Part No.	Description	Reqd. QTY						Serial No.	Parts catalogue code	
			GX 160 UT1	GX 160 UT2	GX 160 UT2X	GX 160 RT1	GX 160 RT2	GX 160 RT2X			
22	87539-Z0J-800	MARK, EX. CAUTION(PICTOGRAPH)	1	-	-	-	-	-	-----	QHQU, QXP2, RXP2, SG22, SHQU, SX2, SXS, SXS2, VSD2	
			1	-	-	-	-	-	2426027	-----	HH26, HX2, HXE8, HXU, LX2, LX26, LXU, PXU, QA2, QA26, QAX2, QBM2, QBT6, QCB2, QGR9, QH26, QM22, QW24, QWW2, QWX2, QX2, QX26, QXC9, QXE2, QXE8, QXF2, QXS2, QXU, RH2, RTB2, RXE2, RXU, SD16, S5X2, SWX2, SXU, TW24, TX2, TX26, TXC9, TXDU, TXU, UXU, VA2, VWA2, VX2, VX4, VXU1, WKT2, WKT6
	87539-Z0J-000	MARK, EX. CAUTION(ENGLISH) ...	1	-	-	-	-	-	2577201	-----	QCL, TCS2, VXW2
	87539-Z4M-800	MARK, EX. CAUTION(PICTOGRAPH)	-	1	1	-	-	-	-----	-----	HH26, HH26/A, HX2, HX2/A, HXE8, HXE8/A, LX2, LX2/A, LXM2, LXM2/A, PXU, PXU/A, QA2, QA2/A, QAX2, QBM2, QBM2/A, QC9, QC9/A, QCM, QCM/A, QGR9, QGR9/A, QH26, QH26/A, QMX2, QMX2/A, QM22, QM22/A, QX2, QX2/A, QXC9, QXC9/A, QXE2, QXE2/A, QXE8, QXE8/A, QXGB, QXGB/A, QXS2, QXS2/A, QXU, QXU/A, RH2, RH2/A, RXE2, RXE2/A, RXU, RXU/A, SCM, SCM/A, SD16, SD16/A, SHCC, SHCC/A, SMW2, SMW2/A, SMX4, SMX4/A, SMXC, SMXC/A, S5X2, S5X2/A, SWX2, SWX2/A, SXU, SXU/A, TX2, TX2/A, TXC9, TXC9/A, TXDU, TXDU/A, UXU, UXU/A, VA2, VA2/A, VX2, VX2/A, VXU1, VXU1/A, WKT2, WKT2/A
23	87522-883-660	MARK, CAUTION (ENGLISH/FRENCH/SPANISH)	-	-	-	-	1	1	-----	-----	VES6, VES6/A
24	87533-ZC0-630	MARK, AIR CLEANER(ENGLISH) ...	-	-	-	-	1	1	-----	-----	EMAN, EMAN/A, VES6, VES6/A, VWS, VWS1, VWS1/A

E-40

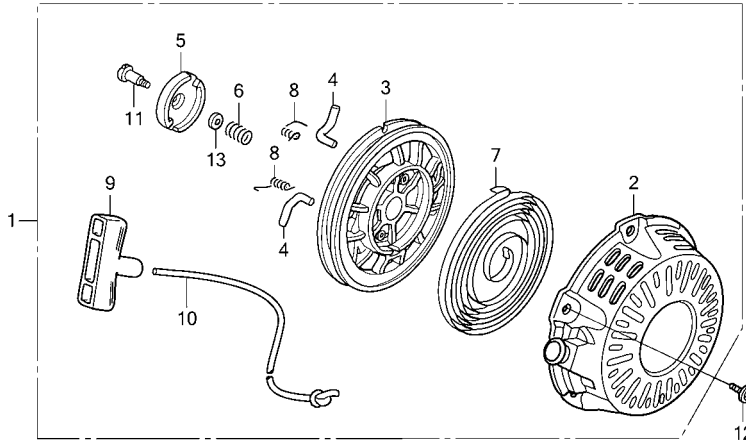
OTHER PARTS(1)

Ref. No.	Part No.	Description	Reqd. QTY						Serial No.	Parts catalogue code		
			GX 160 UT1	GX 160 UT2	GX 160 UT2X	GX 160 RT1	GX 160 RT2	GX 160 RT2X				
25	87539-Z4M-810	MARK, EX. CAUTION(FRENCH)	-	1	1	-	1	1	-----	-----	HH26, HH26/A, HHQ4, HX2, HX2/A, HX4, HX4/A, HXE8, HXE8/A, LHN4, LHN4/A, LHQ4, LX2, LX2/A, LX4, LX4/A, LXM2, LXM2/A, PXU, PXU/A, QA2, QA2/A, QAX2, QAX4, QAX4/A, QBC2, QBM2, QBM2/A, QC9, QC9/A, QCM, QCM/A, QGR9, QGR9/A, QH26, QH26/A, QHG4, QHG4/A, QHQ4, QHQ4/A, QMC6, QMC6/A, QMC8, QMC8/A, QMD6, QMD6/A, QME4, QME4/A, QMP4, QMX2, QMX2/A, QMXC, QPU, QWA4, QWA4/A, QWX2, QWX2/A, QX2, QX2/A, QX4, QX4/A, QX9, QX9/A, QXC9, QXE2, QXE2/A, QXE5, QXE5/A, QXE8, QXEB, QXGB, QXM2, QXS2, QXS2/A, QXU, QXU/A, QXWE, QXWE/A, RH2, RH2/A, RHG4, RHG4/A, RHQ4, RHQ4/A, RX4, RX4/A, RXE2, RXE2/A, RXU, RXU/A, S1CY, S1CY/A, SCM, SCM/A, SD16, SD16/A, SG24, SG24/A, SHCC, SHCC/A, SHQ4, SHQ4/A, SHRY, SHRY/A, SMC7, SMC7/A, SMC9, SMC9/A, SMW2, SMW2/A, SMX4, SMX4/A, SMXC, SMXE, SMXE/A, SSS2, SSS2/A, SWX2, SWX2/A, SX4, SX4/A, SX9, SX9/A, SXE5, SXE5/A, SXS4, SXS4/A, SXU, SXU/A, TX2, TX2/A, TX4, TX4/A, TXC9, TXDU, TXDU/A, UXU, UXU/A, VA2, VA2/A, VCG, VCG/A, VG25, VG25/A, VG29, VHH4, VHH4/A, VSD9, VSD9/A, VX2, VX2/A, VXE9, VXE9/A, VXU1, VXU1/A, WKS, WKS/A, WKT2, WKT2/A, WMB0, WMB0/A, WMT4, WMT4/A	
26	87539-ZB2-630	MARK, EX. CAUTION	-	-	-	-	1	1	-----	-----	VES6, VES6/A	
27	87549-YG0-710	LABEL, SPARK WARNING	-	1	1	-	-	-	-----	-----	LXM2, LXM2/A, QXM2	
28	87594-ZB4-A00	MARK, OIL CAUTION	-	-	-	-	1	1	-----	-----	VES6, VES6/A	
29	87516-ZK6-800	MARK, OPERATOR CAUTION (CHINESE)	-	1	-	-	-	-	-----	-----	QCM, QMXC, SCM, SMXC, WMT4	
			-	1	-	-	-	-	-----	-----	4611792 QCM/A, QGR9/A, QX2/A, QXGB, SCM/A, SMXE/A, SXS4/A, WKT2/A	
			-	1	-	-	-	-	-----	-----	4613853 WMB0/A, WMT4/A	
			-	1	-	-	-	1183289	-----	-----	QGR9, QX2, SMXE, WKT2, WMB0	
			-	1	-	-	-	1292062	-----	-----	SXS4	
	87516-ZK6-801	-	1	-	-	-	4611793	-----	-----	QCM/A, QGR9/A, QX2/A, QXGB, SCM/A, SMXE/A, SXS4/A, WKT2/A	
			-	1	-	-	-	4613854	-----	-----	WMB0/A, WMT4/A	
			-	-	1	-	-	1	-----	-----	QCM, QGR9, QX2, QXGB, SCM, SMXE, SXS4, VES6, WKT2, WMB0, WMT4	
	87516-ZK6-800	-	-	-	-	1	-	-----	-----	4623408 VES6/A	
			-	-	-	-	1	-	-----	-----	1405094 VES6	
	87516-ZK6-801	-	-	-	-	1	-	-----	-----	4623409 VES6/A	
30	87539-898-620	MARK, EX. CAUTION (ENGLISH/FRENCH)	-	-	-	-	1	-	-----	-----	VWS1	



E-40-1

OTHER PARTS(2)



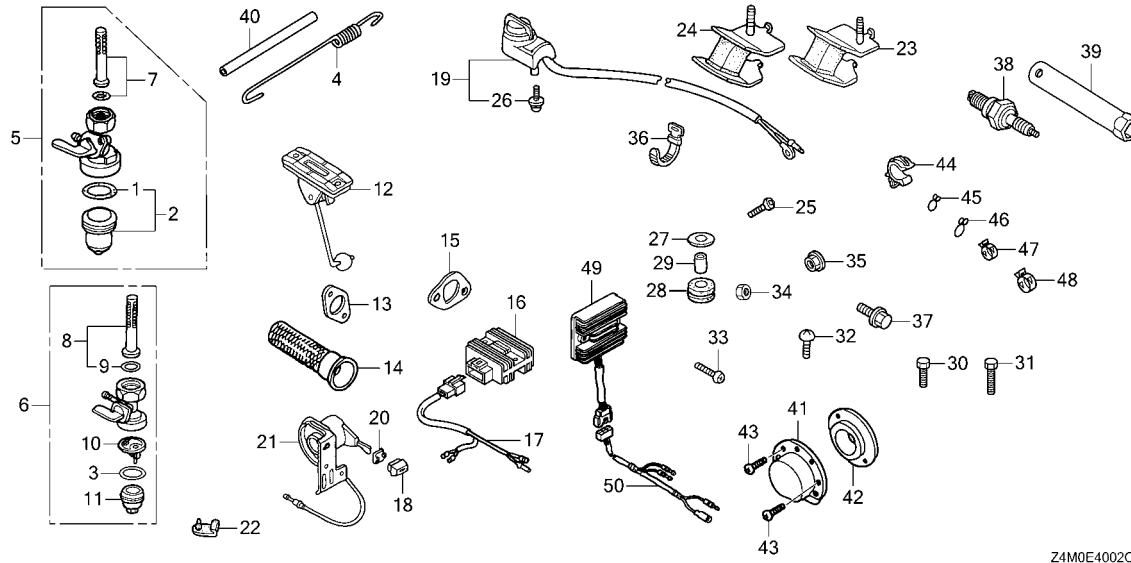
Z4M0E4001A

Ref. No.	L.O.N.	(Relative ref. Number) Description	F.R.T.
1	1121B9	STARTER, RECOIL	0.1
3	1121B1	REEL, RECOIL STARTER	0.3
4	1121B0	(8) STARTER RATCHET AND/OR SPRING .NOTE: Same time for two units	0.2
5	1121A4	(6) GUIDE, RATCHET	0.2
7	1121B7	SPRING, RECOIL STARTER RETURN	0.3
9	1121A3	GRIP, RECOIL STARTER	0.1
10	1121B3	ROPE, RECOIL STARTER	0.3

Ref. No.	Part No.	Description	Reqd. QTY						Serial No.	Parts catalogue code
			GX 160 UT1	GX 160 UT2	GX 160 UT2X	GX 160 RT1	GX 160 RT2	GX 160 RT2X		
1	28400-Z0T-822ZA	STARTER ASSY., RECOIL	-	-	-	-	-	-		
		NH1.....BLACK	-	-	-	-	-	1	-	----- VWS
2	28410-ZB2-C02ZA	CASE COMP., RECOIL STARTER	-	-	-	-	-	1	-	----- VWS
		NH1.....BLACK	-	-	-	-	-	1	-	----- VWS
3	28421-Z0T-003	REEL, RECOIL STARTER.....	-	-	-	-	-	1	-	----- VWS
4	28422-ZH8-801	RATCHET, STARTER.....	-	-	-	-	-	2	-	----- VWS
5	28433-ZH8-801	GUIDE, RATCHET.....	-	-	-	-	-	1	-	----- VWS
6	28441-ZH8-801	SPRING, FRICTION.....	-	-	-	-	-	1	-	----- VWS
7	28442-ZH8-003	SPRING, RECOIL STARTER.....	-	-	-	-	-	1	-	----- VWS
8	28443-ZH8-801	SPRING, RETURN.....	-	-	-	-	-	2	-	----- VWS
9	28461-ZE1-013	KNOB, RECOIL STARTER.....	-	-	-	-	-	1	-	----- VWS
10	28462-ZH8-003	ROPE, RECOIL STARTER.....	-	-	-	-	-	1	-	----- VWS
11	90003-ZH8-801	SCREW, SETTING.....	-	-	-	-	-	1	-	----- VWS
12	90008-ZE2-003	BOLT, FLANGE, 6X10.....	-	-	-	-	-	3	1859219	VWS
	95701-06008-00	BOLT, FLANGE, 6X8.....	-	-	-	-	-	3	1859220	VWS
13	28431-ZH8-801	PLATE, FRICTION.....	-	-	-	-	-	1	-	----- VWS

E-40-2

OTHER PARTS(3)



Z4M0E4002C

Ref. No. L.O.N. (Relative ref. Number) Description F.R.T.

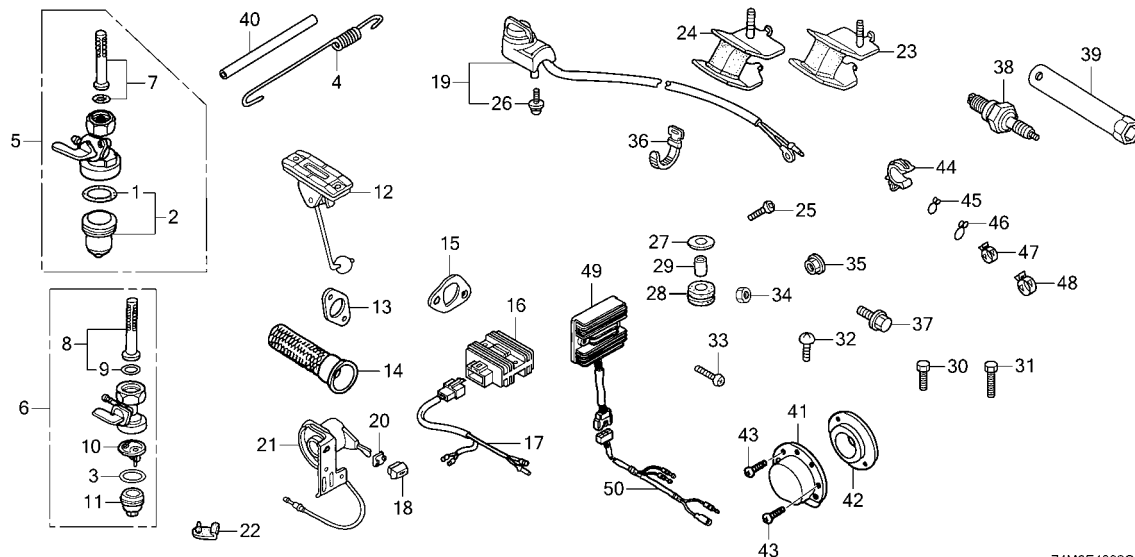
NO INFORMATION

Ref. No.	Part No.	Description	Reqd. QTY						Serial No.	Parts catalogue code
			GX 160 UT1	GX 160 UT2	GX 160 UT2X	GX 160 RT1	GX 160 RT2	GX 160 RT2X		
1	16080-898-631	PACKING SET, COCK	-	-	-	-	1	1	-----	EMAN, EMAN/A, VES6, VES6/A
2	16081-471-831	CUP, FUEL STRAINER	-	-	-	-	1	1	-----	EMAN, EMAN/A, VES6, VES6/A
3	16173-001-004	O-RING	-	-	-	-	1	-	-----	VWS
4	16561-ZL0-000	SPRING, GOVERNOR	1	-	-	-	1	-	-----	VPM5, VPM9, VPMN, VPR4, VPR9
5	16950-898-633	COCK ASSY., FUEL	-	-	-	-	1	1	-----	EMAN, EMAN/A, VES6, VES6/A
6	16950-ZB4-015	COCK ASSY., FUEL	-	-	-	-	1	-	-----	VWS
7	16952-GG2-731	SCREEN SET	-	-	-	-	1	1	-----	EMAN, EMAN/A, VES6, VES6/A
8	16952-ZB4-005	SCREEN SET, FUEL STRAINER	-	-	-	-	1	-	-----	VWS
9	16958-397-771	O-RING, 9.0X1.3	-	-	-	-	1	-	-----	VWS
10	16959-471-831	FILTER, CUP	-	-	-	-	1	-	-----	VWS
11	16967-GA6-671	CUP, FUEL STRAINER	-	-	-	-	1	-	-----	VWS
12	17505-ZB2-003	METER ASSY., FUEL	-	-	-	-	1	-	1073244	VWS
	17630-Z8V-003	-	-	-	-	1	-	1073245	VWS
13	18333-ZB4-801	GASKET, EX. PIPE	-	-	-	-	1	-	-----	VWS
14	18355-ZE1-810	ARRESTER, SPARK(SILENT)	1	-	-	-	1	-	-----	VPM5, VPM9, VPMN, VPR9
15	18381-ZH8-800	GASKET, MUFFLER	1	-	-	-	-	-	-----	VPM5, VPM9, VPMN, VPR9, VWW2, VWWN
16	31600-ZE2-861	RECTIFIER ASSY., REGULATOR (10A)	1	1	1	-	-	-	-----	QAX2, QAX4, QAX4/A, QXE5, QXE5/A, QXW, QXWE, QXWE/A, SXE5/A
17	32110-ZB5-G30	HARNESS ASSY., SUB WIRE	1	1	1	-	-	-	-----	QAX2, QAX4, QAX4/A, QXE5, QXE5/A, QXW, QXWE, QXWE/A, SXE5/A
18	32343-892-003	KNOB, COCK LEVER	-	-	-	-	1	1	-----	VES6, VES6/A
19	35120-746-C21	SWITCH ASSY., ENGINE STOP	1	1	-	-	-	-	-----	QMP4, QPU
20	36106-892-003	BUSH, CONTROL KNOB	-	-	-	-	1	1	-----	VES6, VES6/A
21	36110-ZB2-003	SWITCH ASSY., ENGINE	-	-	-	-	1	1	-----	VES6, VES6/A



E-40-2

OTHER PARTS(3)



Z4M0E4002C

Ref. No.	Part No.	Description	Reqd. QTY						Serial No.	Parts catalogue code
			GX 160 UT1	GX 160 UT2	GX 160 UT2X	GX 160 RT1	GX 160 RT2	GX 160 RT2X		
22	50319-ZB2-000	RUBBER, TANK MOUNTING	-	-	-	-	2	2	-----	VES6, VES6/A, VWS
23	68326-ZB2-000	RUBBER, FR. BOTTOM	-	-	-	-	1	1	-----	VWS, VWS1/A
24	68327-ZB2-000	RUBBER, RR. BOTTOM	-	-	-	-	2	1	-----	VWS1
25	90055-ZE1-000	SCREW, TAPPING, 4X6	1	-	-	-	1	-	-----	VWS, VWS1/A
			-	-	-	-	(1)	-	-----	VPM5, VPM9, VPMN, VPR9
			-	-	-	-	-	-	-----	VPM5
26	90105-733-D61	BOLT, 3X12(SEMS)	1	1	-	-	-	-	-----	QMP4, QPU
27	90503-898-000	WASHER, TANK CUSHION	-	-	-	-	2	-	-----	VWS
28	90851-898-000	RUBBER, TANK CUSHION	-	-	-	-	2	-	-----	VWS
29	91551-898-000	COLLAR, TANK CUSHION	-	-	-	-	2	-	-----	VWS
30	92101-08020-0A	BOLT, HEX., 8X20	-	-	-	-	2	2	-----	VES6, VES6/A, VWS1, VWS1/A
31	92101-08025-0A	BOLT, HEX., 8X25	-	1	-	-	-	-	-----	S1CY, S1CY/A, SHRY, SHRY/A, SMW2, SMW2/A, SMX4, SMX4/A, SMXE
			-	-	-	-	-	-	-----	SMXE/A, SSX2, SSX2/A
32	93500-03006-0H	SCREW, PAN, 3X6	1	-	-	-	-	-	-----	S1CY, SCM, SHCC, SHRY, SMW2, SMX4, SMXE, SSX2
33	93500-05040-0G	SCREW, PAN, 5X40	1	-	-	-	1	-	-----	QMP4, QPU
34	94001-08000-0S	NUT, HEX., 8MM	2	-	-	-	-	2	-----	VPM5, VPM9, VPMN, VPR9
35	94050-06000	NUT, FLANGE, 6MM	-	-	-	-	2	-	-----	VES6, VPM5, VPM9, VPMN, VPR9, VWS1, VWS1/A, VVW2, VVWN
36	95014-62100	BAND B1, WIRE	1	1	-	-	-	-	-----	SWG4, SWG4/A, VES6, VES6/A, VWS1, VWS1/A, VVWN, VVWN/A
37	95701-06010-00	BOLT, FLANGE, 6X10	-	-	-	-	1	-	-----	VGE4, VGE5
			-	-	-	-	1	-	-----	QPU
			-	-	-	-	1	-	-----	EMAN, EMAN/A, VES6/A
			-	-	-	-	2	-	1073245	VES6
			-	-	-	-	1	-	1073245	VWS
38	98079-56876	PLUG, SPARK(BPR6ES)(NGK)	-	-	-	-	1	-	-----	EMAN, VES6
			-	-	-	-	-	-	-----	VWS

E-40-2

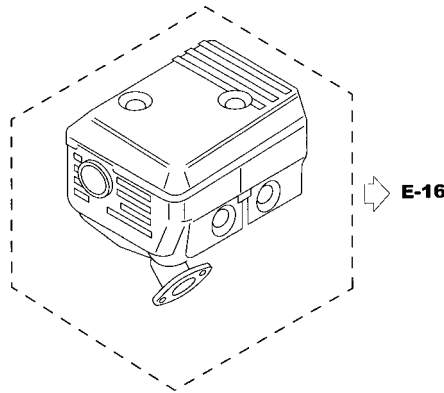
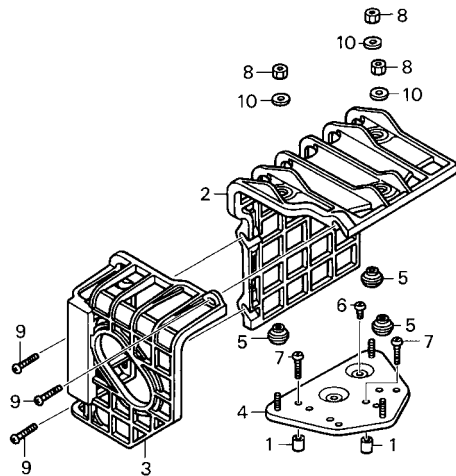
OTHER PARTS(3)

Ref. No.	Part No.	Description	Reqd. QTY						Serial No.	Parts catalogue code
			GX 160 UT1	GX 160 UT2	GX 160 UT2X	GX 160 RT1	GX 160 RT2	GX 160 RT2X		
39	89216-Z0T-810	WRENCH, BOX(P21).....	-	-	-	-	1	-	-----	VES6/A
	99004-21001	-	-	-	-	1	-	-----	1361436 VES6, VWS
	89216-Z0T-810	-	-	-	-	1	-	-----	1361437 VES6, VWS
			-	-	-	-	-	1	-----	VES6
40	91424-Z5M-812	TUBE, FUEL, 4.5X210(FKM).....	-	-	-	-	1	-	-----	1073246 VES6
	91424-Z5K-003	-	-	-	-	1	-	-----	4215441 VES6/A
			-	-	-	-	1	-	-----	1073247 VES6
	91424-Z5K-013	-	-	-	-	1	-	-----	4215442 VES6/A
	91424-Z5K-023	-	-	-	-	-	1	-----	VES6
41	18340-ZE1-010	DEFLECTOR COMP.	1	-	-	-	-	-	-----	2346712 QNT4, SSSX2
	18331-883-810	CAP, MUFFLER.....	1	-	-	-	-	-	-----	2346712 QXC4, QXC9, VG29
			-	1	1	-	-	-	-----	QC9, QC9/A, QMC8, QMC8/A, QWA4, QWA4/A, QXC9, SG24, SG24/A
			-	-	-	-	-	-	-----	SHCC, SHCC/A, SMC7, SMC7/A, VCG, VCG/A, VG25, VG25/A, VG29
	18340-ZE1-010	DEFLECTOR COMP.	-	1	-	-	-	-	-----	LHN4, LHN4/A, QA2, QA2/A, QCM, QCM/A, QMC6, QMC6/A, QMP4
			-	-	-	-	-	-	-----	QMX2/A, QMXC, QPU, QWX2, QWX2/A, QXU, QXU/A, S1CY/A, SCM
			-	-	-	-	-	-	-----	SCM/A, SHRY, SHRY/A, SMW2/A, SMX4, SMX4/A, SMXC, SMXE, SMXE/A
			-	1	-	-	-	-	-----	1012898 QMX2, S1CY, SMW2, SSSX2
			-	-	1	-	-	-	-----	QA2, QCM, QMC6, QMX2, QXU, S1CY, SCM, SHRY, SMW2, SMX4, SMXE
			-	-	-	-	-	-	-----	SSX2, SWX2, SXS4, SXU, TXDU
42	18522-ZE1-000	GUIDE, MUFFLER.....	1	-	-	-	-	-	-----	2346712 QNT4, SSSX2
			-	1	-	-	-	-	-----	LHN4, LHN4/A, QA2, QA2/A, QCM, QCM/A, QMC6, QMC6/A, QMP4
			-	-	-	-	-	-	-----	QMX2/A, QMXC, QPU, QXU, QXU/A, S1CY/A, SCM, SCM/A, SHRY
			-	-	-	-	-	-	-----	SHRY/A, SMW2/A, SMX4, SMX4/A, SMXC, SMXE, SMXE/A, SSSX2/A
			-	1	-	-	-	-	-----	1012898 QMX2, S1CY, SMW2, SSSX2
			-	-	1	-	-	-	-----	QA2, QCM, QMC6, QMX2, QXU, S1CY, SCM, SHRY, SMW2, SMX4, SMXE
			-	-	-	-	-	-	-----	SSX2, SWX2, SXS4, SXU, TXDU
43	90002-ZG0-003	SCREW, TAPPING, 4X8.....	2	-	-	-	-	-	-----	2346712 QNT4, SSSX2
	90055-ZE1-000	SCREW, TAPPING, 4X6.....	2	-	-	-	-	-	-----	2346712 QXC4, QXC9, VG29
			-	2	2	-	-	-	-----	QC9, QC9/A, QMC8, QMC8/A, QWA4, QWA4/A, QXC9, SG24, SG24/A
			-	-	-	-	-	-	-----	SHCC, SHCC/A, SMC7, SMC7/A, VCG, VCG/A, VG25, VG25/A, VG29
	90002-Z0T-800	SCREW, TAPPING, 4X8.....	-	2	-	-	-	-	-----	LHN4, LHN4/A, QA2, QA2/A, QCM, QCM/A, QMC6, QMC6/A, QMP4
			-	-	-	-	-	-	-----	QMX2/A, QMXC, QPU, QWX2, QWX2/A, QXU, QXU/A, S1CY/A, SCM
			-	-	-	-	-	-	-----	SCM/A, SHRY, SHRY/A, SMW2/A, SMX4, SMX4/A, SMXC, SMXE, SMXE/A
			-	2	-	-	-	-	-----	1012898 QMX2, S1CY, SMW2, SSSX2
			-	-	2	-	-	-	-----	QA2, QCM, QMC6, QMX2, QXU, S1CY, SCM, SHRY, SMW2, SMX4, SMXE
			-	-	-	-	-	-	-----	SSX2, SWX2, SXS4, SXU, TXDU
44	16731-ZE2-003	CLIP, TUBE.....	-	-	-	-	1	-	-----	VWS1/A
			-	-	-	-	-	1	-----	VWS1
45	95002-02080	CLIP, TUBE(B8).....	-	-	-	-	4	-	-----	VWS1/A
			-	-	-	-	-	4	-----	VWS1
46	95002-02130	CLIP, TUBE(B12.5).....	-	-	-	-	2	-	-----	VWS1/A
			-	-	-	-	-	2	-----	VWS1
47	95002-40800-08	CLAMP, TUBE(D8).....	-	-	-	-	1	-	-----	VWS1/A
			-	-	-	-	-	1	-----	VWS1
48	95002-40850-08	CLAMP, TUBE(D8.5).....	-	-	-	-	1	-	-----	VWS1/A
			-	-	-	-	-	1	-----	VWS1
49	31620-ZG5-033	RECTIFIER ASSY., REGULATOR (20A)	-	1	1	-	-	-	-----	QXEB, QXGB
50	32110-ZE2-W00	HARNESS ASSY., SUB WIRE.....	-	1	1	-	-	-	-----	QXEB, QXGB



EOP-1

MUFFLER COVER



Z4M0-X0100



Ref. No.	L.O.N.	(Relative ref. Number)		F.R.T.
		Description		
2	3131A7	COVER, EXHAUST MUFFLER	0.1
3	3131A6	COVER, EXHAUST MUFFLER :REAR	·	0.1
4	3131A2	BASE, EXHAUST MUFFLER COVER	· ·	0.2

Ref. No.	Part No.	Description	Reqd. QTY						Serial No.	Parts catalogue code
			GX 160 UT1	GX 160 UT2	GX 160 UT2X	GX 160 RT1	GX 160 RT2	GX 160 RT2X		
1	17233-896-701	COLLAR, AIR CLEANER CASE.....	(2)	(2)	(2)	(2)	(2)	(2)	-----	HHQ4, HX4, HX4/A, LHN4, LHN4/A, LHQ4, LX4, LX4/A, QHG4, QHG4/A, QHQ4, QHQ4/A, QHQU, QKA4, QMC6, QMC6/A, QMC8, QMC8/A, QMD6, QMD6/A, QME4, QME4/A, QMP4, QNT, QNT4, QW24, QWA4, QWA4/A, QWW2, QX4, QX4/A, QX7, QX9, QX9/A, QXE4, QXE5, QXE5/A, QXEB, QXW, QXWE, QXWE/A, RHG4, RHG4/A, RHQ4, RHQ4/A, RX4, RX4/A, S1CY, S1CY/A, SG22, SG24, SG24/A, SHCC, SHCC/A, SHQ4, SHQ4/A, SHQU, SMC7, SMC7/A, SMC9, SMC9/A, SMX4, SMX4/A, SMXE, SMXE/A, SWG4, SWG4/A, SWX2, SWX2/A, SX2, SX4, SX4/A, SX7, SX9, SX9/A, SXE4, SXE5, SXE5/A, SXS, SXS2, SXS4, SXS4/A, TW24, TX4, TX4/A, VCG, VCG/A, VG24, VG25, VG25/A, VG29, VHA9, VHH4, VHH4/A, VMS4, VSD, VSD2, VSD7, VSD9, VSD9/A, VX4, VXE9, VXE9/A, WKT4, WMB0/A
2	18433-ZH8-W40	COVER COMP., MUFFLER.....	(1)	(1)	(1)	(1)	(1)	(1)	-----	HHQ4, HX4, HX4/A, LHN4, LHN4/A, LHQ4, LX4, LX4/A, QHG4, QHG4/A, QHQ4, QHQ4/A, QHQU, QKA4, QMC6, QMC6/A, QMC8, QMC8/A, QMD6, QMD6/A, QME4, QME4/A, QMP4, QNT, QNT4, QW24, QWA4, QWA4/A, QWW2, QX4, QX4/A, QX7, QX9, QX9/A, QXE4, QXE5, QXE5/A, QXEB, QXW, QXWE, QXWE/A, RHG4, RHG4/A, RHQ4, RHQ4/A, RX4, RX4/A, S1CY, S1CY/A, SG22, SG24, SG24/A, SHCC, SHCC/A, SHQ4, SHQ4/A, SHQU, SMC7, SMC7/A, SMC9, SMC9/A, SMX4, SMX4/A, SMXE, SMXE/A, SWG4, SWG4/A, SWX2, SWX2/A, SX2, SX4, SX4/A, SX7, SX9, SX9/A, SXE4, SXE5, SXE5/A, SXS, SXS2, SXS4, SXS4/A, TW24, TX4, TX4/A, VCG, VCG/A, VG24, VG25, VG25/A, VG29, VHA9, VHH4, VHH4/A, VMS4, VSD, VSD2, VSD7, VSD9, VSD9/A, VX4, VXE9, VXE9/A, WKT4, WMB0/A

EOP-1

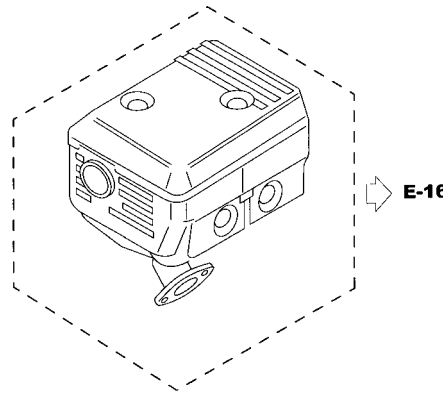
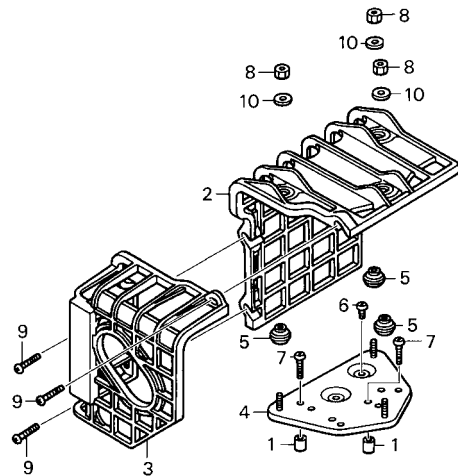
MUFFLER COVER

Ref. No.	Part No.	Description	Reqd. QTY						Serial No.	Parts catalogue code
			GX 160 UT1	GX 160 UT2	GX 160 UT2X	GX 160 RT1	GX 160 RT2	GX 160 RT2X		
3	18434-ZH8-W40	COVER COMP., RR. MUFFLER.....	(1)	(1)	(1)	(1)	(1)	(1)	-----	HHQ4, HX4, HX4/A, LHN4, LHN4/A, LHQ4, LX4, LX4/A, QHG4, QHG4/A, QHQ4, QHQ4/A, QHQU, QKA4, QMC6, QMC6/A, QMC8, QMC8/A, QMD6, QMD6/A, QME4, QME4/A, QMP4, QNT, QNT4, QW24, QWA4, QWA4/A, QWW2, QX4, QX4/A, QX7, QX9, QX9/A, QXE4, QXE5, QXE5/A, QXEB, QXW, QXWE, QXWE/A, RHG4, RHG4/A, RHQ4, RHQ4/A, RX4, RX4/A, S1CY, S1CY/A, SG22, SG24, SG24/A, SHCC, SHCC/A, SHQ4, SHQ4/A, SHQU, SMC7, SMC7/A, SMC9, SMC9/A, SMX4, SMX4/A, SMXE, SMXE/A, SWG4, SWG4/A, SWX2, SWX2/A, SX2, SX4, SX4/A, SX7, SX9, SX9/A, SXE4, SXE5, SXE5/A, SXS, SXS2, SXS4, SXS4/A, TW24, TX4, TX4/A, VCG, VCG/A, VG24, VG25, VG25/A, VG29, VHA9, VHH4, VHH4/A, VMS4, VSD, VSD2, VSD7, VSD9, VSD9/A, VX4, VXE9, VXE9/A, WKT4, WMB0, WMB0/A
4	18436-ZH8-W41	BASE COMP., MUFFLER COVER.....	(1)	(1)	(1)	(1)	(1)	(1)	-----	HHQ4, HX4, HX4/A, LHN4, LHN4/A, LHQ4, LX4, LX4/A, QHG4, QHG4/A, QHQ4, QHQ4/A, QHQU, QKA4, QMC6, QMC6/A, QMC8, QMC8/A, QMD6, QMD6/A, QME4, QME4/A, QMP4, QNT, QNT4, QW24, QWA4, QWA4/A, QWW2, QX4, QX4/A, QX7, QX9, QX9/A, QXE4, QXE5, QXE5/A, QXEB, QXW, QXWE, QXWE/A, RHG4, RHG4/A, RHQ4, RHQ4/A, RX4, RX4/A, S1CY, S1CY/A, SG22, SG24, SG24/A, SHCC, SHCC/A, SHQ4, SHQ4/A, SHQU, SMC7, SMC7/A, SMC9, SMC9/A, SMX4, SMX4/A, SMXE, SMXE/A, SWG4, SWG4/A, SWX2, SWX2/A, SX2, SX4, SX4/A, SX7, SX9, SX9/A, SXE4, SXE5, SXE5/A, SXS, SXS2, SXS4, SXS4/A, TW24, TX4, TX4/A, VCG, VCG/A, VG24, VG25, VG25/A, VG29, VHA9, VHH4, VHH4/A, VMS4, VSD, VSD2, VSD7, VSD9, VSD9/A, VX4, VXE9, VXE9/A, WKT4, WMB0, WMB0/A
5	18466-ZH8-W40	SPACER, MUFFLER COVER.....	(3)	(3)	(3)	(3)	(3)	(3)	-----	HHQ4, HX4, HX4/A, LHN4, LHN4/A, LHQ4, LX4, LX4/A, QHG4, QHG4/A, QHQ4, QHQ4/A, QHQU, QKA4, QMC6, QMC6/A, QMC8, QMC8/A, QMD6, QMD6/A, QME4, QME4/A, QMP4, QNT, QNT4, QW24, QWA4, QWA4/A, QWW2, QX4, QX4/A, QX7, QX9, QX9/A, QXE4, QXE5, QXE5/A, QXEB, QXW, QXWE, QXWE/A, RHG4, RHG4/A, RHQ4, RHQ4/A, RX4, RX4/A, S1CY, S1CY/A, SG22, SG24, SG24/A, SHCC, SHCC/A, SHQ4, SHQ4/A, SHQU, SMC7, SMC7/A, SMC9, SMC9/A, SMX4, SMX4/A, SMXE, SMXE/A, SWG4, SWG4/A, SWX2, SWX2/A, SX2, SX4, SX4/A, SX7, SX9, SX9/A, SXE4, SXE5, SXE5/A, SXS, SXS2, SXS4, SXS4/A, TW24, TX4, TX4/A, VCG, VCG/A, VG24, VG25, VG25/A, VG29, VHA9, VHH4, VHH4/A, VMS4, VSD, VSD2, VSD7, VSD9, VSD9/A, VX4, VXE9, VXE9/A, WKT4, WMB0, WMB0/A
6	90050-ZE1-000	SCREW, TAPPING, 5X8.....	(1)	(1)	(1)	(1)	(1)	(1)	-----	HHQ4, HX4, HX4/A, LHN4, LHN4/A, LHQ4, LX4, LX4/A, QHG4, QHG4/A, QHQ4, QHQ4/A, QHQU, QKA4, QMC6, QMC6/A, QMC8, QMC8/A, QMD6, QMD6/A, QME4, QME4/A, QMP4, QNT, QNT4, QW24, QWA4, QWA4/A, QWW2, QX4, QX4/A, QX7, QX9, QX9/A, QXE4, QXE5, QXE5/A, QXEB, QXW, QXWE, QXWE/A, RHG4, RHG4/A, RHQ4, RHQ4/A, RX4, RX4/A, S1CY, S1CY/A, SG22, SG24, SG24/A, SHCC, SHCC/A, SHQ4, SHQ4/A, SHQU, SMC7, SMC7/A, SMC9, SMC9/A, SMX4, SMX4/A, SMXE, SMXE/A, SWG4, SWG4/A, SWX2, SWX2/A, SX2, SX4, SX4/A, SX7, SX9, SX9/A, SXE4, SXE5, SXE5/A, SXS, SXS2, SXS4, SXS4/A, TW24, TX4, TX4/A, VCG, VCG/A, VG24, VG25, VG25/A, VG29, VHA9, VHH4, VHH4/A, VMS4, VSD, VSD2, VSD7, VSD9, VSD9/A, VX4, VXE9, VXE9/A, WKT4, WMB0, WMB0/A



EOP-1

MUFFLER COVER



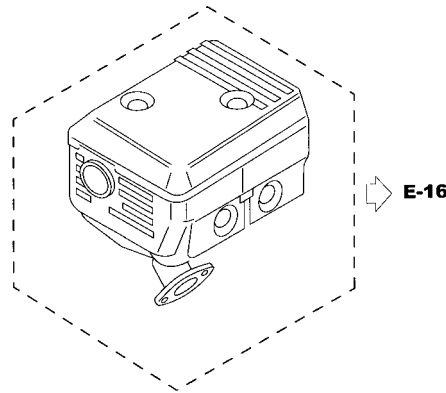
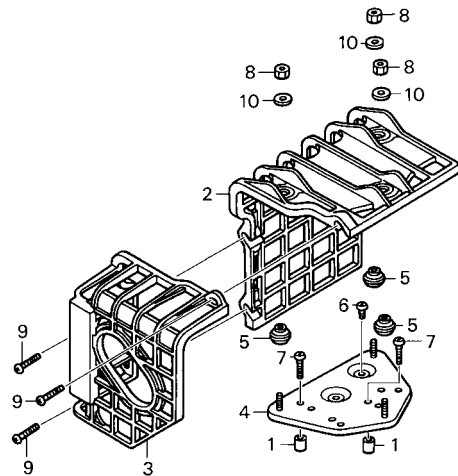
Z4M0-X0100



Ref. No.	Part No.	Description	Reqd. QTY						Serial No.	Parts catalogue code
			GX 160 UT1	GX 160 UT2	GX 160 UT2X	GX 160 RT1	GX 160 RT2	GX 160 RT2X		
7	90050-ZH8-W40	SCREW, TAPPING, 5X25.....	(2)	(2)	(2)	(2)	(2)	(2)	-----	HHQ4, HX4, HX4/A, LHN4, LHN4/A, LHQ4, LX4, LX4/A, QHG4, QHG4/A, QHQ4, QHQ4/A, QHQ4, QKA4, QMC6, QMC6/A, QMC8, QMC8/A, QMD6, QMD6/A, QME4, QME4/A, QMP4, QNT, QNT4, QW24, QWA4, QWA4/A, QWW2, QX4, QX4/A, QX7, QX9, QX9/A, QXE4, QXE5, QXE5/A, QXEB, QXW, QXWE, QXWE/A, RHG4, RHG4/A, RHQ4, RHQ4/A, RX4, RX4/A, S1CY, S1CY/A, SG22, SG24, SG24/A, SHCC, SHCC/A, SHQ4, SHQ4/A, SHQU, SMC7, SMC7/A, SMC9, SMC9/A, SMX4, SMX4/A, SMXE, SMXE/A, SWG4, SWG4/A, SWX2, SWX2/A, SX2, SX4, SX4/A, SX7, SX9, SX9/A, SXE4, SXE5, SXE5/A, SXS, SXS2, SXS4, SXS4/A, TW24, TX4, TX4/A, VCG, VCG/A, VG24, VG25, VG25/A, VG29, VHA9, VHH4, VHH4/A, VMS4, VSD, VSD2, VSD7, VSD9, VSD9/A, VX4, VXE9, VXE9/A, WKT4, WMB0, WMB0/A
8	90302-KF9-900	NUT, HEX., 5MM.....	(3)	(3)	(3)	(3)	(3)	(3)	-----	HHQ4, HX4, HX4/A, LHN4, LHN4/A, LHQ4, LX4, LX4/A, QHG4, QHG4/A, QHQ4, QHQ4/A, QHQ4, QKA4, QMC6, QMC6/A, QMC8, QMC8/A, QMD6, QMD6/A, QME4, QME4/A, QMP4, QNT, QNT4, QW24, QWA4, QWA4/A, QWW2, QX4, QX4/A, QX7, QX9, QX9/A, QXE4, QXE5, QXE5/A, QXEB, QXW, QXWE, QXWE/A, RHG4, RHG4/A, RHQ4, RHQ4/A, RX4, RX4/A, S1CY, S1CY/A, SG22, SG24, SG24/A, SHCC, SHCC/A, SHQ4, SHQ4/A, SHQU, SMC7, SMC7/A, SMC9, SMC9/A, SMX4, SMX4/A, SMXE, SMXE/A, SWG4, SWG4/A, SWX2, SWX2/A, SX2, SX4, SX4/A, SX7, SX9, SX9/A, SXE4, SXE5, SXE5/A, SXS, SXS2, SXS4, SXS4/A, TW24, TX4, TX4/A, VCG, VCG/A, VG24, VG25, VG25/A, VG29, VHA9, VHH4, VHH4/A, VMS4, VSD, VSD2, VSD7, VSD9, VSD9/A, VX4, VXE9, VXE9/A, WKT4, WMB0, WMB0/A

EOP-1

MUFFLER COVER



Z4M0-X0100



Ref. No.	Part No.	Description	Reqd. QTY						Serial No.	Parts catalogue code
			GX 160	GX 160	GX 160	GX 160	GX 160	GX 160		
9	93891-06020-07	SCREW-WASHER, 6X20	UT1 (3)	UT2 (3)	UT2X (3)	RT1 (3)	RT2 (3)	RT2X (3)	-----	HHQ4, HX4, HX4/A, LHN4, LHN4/A, LHQ4, LX4, LX4/A, QHG4, QHG4/A, QHQ4, QHQ4/A, QHQ4, QKA4, QMC6, QMC6/A, QMC8, QMC8/A, QMD6, QMD6/A, QME4, QME4/A, QMP4, QNT, QNT4, QW24, QWA4, QWA4/A, QWW2, QX4, QX4/A, QX7, QX9, QX9/A, QXE4, QXE5, QXE5/A, QXEB, QXW, QXWE, QXWE/A, RHG4, RHG4/A, RHQ4, RHQ4/A, RX4, RX4/A, S1CY, S1CY/A, SG22, SG24, SG24/A, SHCC, SHCC/A, SHQ4, SHQ4/A, SHQU, SMC7, SMC7/A, SMC9, SMC9/A, SMX4, SMX4/A, SMXE, SMXE/A, SWG4, SWG4/A, SWX2, SWX2/A, SX2, SX4, SX4/A, SX7, SX9, SX9/A, SXE4, SXE5, SXE5/A, SXS, SXS2, SXS4, SXS4/A, TW24, TX4, TX4/A, VCG, VCG/A, VG24, VG25, VG25/A, VG29, VHA9, VHH4, VHH4/A, VMS4, VSD, VSD2, VSD7, VSD9, VSD9/A, VX4, VXE9, VXE9/A, WKT4, WMB0, WMB0/A
10	94103-05700	WASHER, PLAIN, 5MM	(3)	(3)	(3)	(3)	(3)	(3)	-----	HHQ4, HX4, HX4/A, LHN4, LHN4/A, LHQ4, LX4, LX4/A, QHG4, QHG4/A, QHQ4, QHQ4/A, QHQ4, QKA4, QMC6, QMC6/A, QMC8, QMC8/A, QMD6, QMD6/A, QME4, QME4/A, QMP4, QNT, QNT4, QW24, QWA4, QWA4/A, QWW2, QX4, QX4/A, QX7, QX9, QX9/A, QXE4, QXE5, QXE5/A, QXEB, QXW, QXWE, QXWE/A, RHG4, RHG4/A, RHQ4, RHQ4/A, RX4, RX4/A, S1CY, S1CY/A, SG22, SG24, SG24/A, SHCC, SHCC/A, SHQ4, SHQ4/A, SHQU, SMC7, SMC7/A, SMC9, SMC9/A, SMX4, SMX4/A, SMXE, SMXE/A, SWG4, SWG4/A, SWX2, SWX2/A, SX2, SX4, SX4/A, SX7, SX9, SX9/A, SXE4, SXE5, SXE5/A, SXS, SXS2, SXS4, SXS4/A, TW24, TX4, TX4/A, VCG, VCG/A, VG24, VG25, VG25/A, VG29, VHA9, VHH4, VHH4/A, VMS4, VSD, VSD2, VSD7, VSD9, VSD9/A, VX4, VXE9, VXE9/A, WKT4, WMB0, WMB0/A



PART NO. INDEX

Part Number	Page	Ref.	Part Number	Page	Ref.	Part Number	Page	Ref.	Part Number	Page	Ref.	Part Number	Page	Ref.
06000			13010-Z4M-802	87	1	13310-Z0T-900	80	2	14441-ZE1-010	95	5	16013-ZE0-005	163	3
			13011-Z0T-801	87	1	13310-Z0T-950	80	5	14451-Z4M-000	96	6	16015-Z4M-911	134	3
06164-ZE1-000	157	32	13011-Z4K-004	86	1	13310-Z0T-980	81	7		97	6	16100-Z4X-821	163	8
				87	1	13310-Z4M-610	80	1	14451-ZE1-013	95	6	16100-Z4X-V21	143	10
				87	1	13310-Z4M-630	82	1		96	6	16100-Z9J-801	144	10
11000			13011-Z4M-003	86	1	13310-Z4M-640	81	13		97	6	16100-Z9J-WA1	144	10
				87	1	13310-Z4M-641	82	2	16015-ZE0-831	134	4	16100-ZH8-W41	135	9
11300-Z4M-000	74	2	13012-Z0T-801	87	1	13310-Z4M-680	81	9		139	4	16124-ZE0-005	135	10
11300-Z4M-630	73	2	13012-Z4K-004	86	1	13310-Z4M-681	82	3	14568-ZE1-000	97	7		145	11
11300-Z4M-640	74	2		87	1	13310-Z4M-682	82	3	14711-Z4M-000	97	8		161	10
11300-ZE1-020	73	2	13012-Z4M-003	86	1	13310-Z4M-800	80	2	14711-ZF1-000	97	8		163	9
11300-ZE1-613	73	1		87	1	13310-Z4M-801	82	4	14721-Z4M-000	97	9	16016-Z1E-V21	160	5
11300-ZE1-634	73	2	13013-Z0T-801	87	1	13310-Z4M-802	82	4	14721-Z4M-810	97	9	16016-ZDF-V01	134	5
11300-ZE1-642	73	2	13013-Z4K-004	86	1	13310-Z4M-830	80	3	14721-ZF1-000	97	9		141	6
11381-ZH8-801	74	3	13013-Z4M-003	86	1	13310-Z4M-831	82	5	14721-ZH8-810	97	9	16016-ZH7-W01	134	5
11381-ZL0-000	74	3	13013-ZL0-003	87	1	13310-Z4M-840	80	4	14751-ZF1-000	98	10		140	6
11500-ZE1-611	240	1	13013-ZL0-004	87	1	13310-Z4M-841	82	6	14751-ZH8-940	98	10	16166-Z4M-781	135	11
11521-ZH8-800	240	2	13101-Z0T-810	89	2	13310-Z4M-850	80	5	14771-Z0T-900	99	11	16166-Z4M-911	145	12
			13101-Z4M-000	88	2	13310-Z4M-851	82	7		100	12	16166-Z4M-922	135	11
			13101-Z4M-800	90	2	13310-Z4M-860	80	6		101	12		145	12
12000				91	2	13310-Z4M-861	83	8	14771-ZE1-000	98	11	16016-ZH8-W01	134	5
			13101-Z4M-801	90	2	13310-Z4M-870	81	10		99	11	16166-Z4M-941	145	12
12000-Z0T-405	62	1		91	2	13310-Z4M-871	83	9		100	12	16166-Z4M-T31	161	11
12000-Z0T-406	62	1		91	2	13310-Z4M-880	81	7	14773-Z4X-000	99	12	16166-Z4M-V21	145	12
12000-Z4M-415	62	1	13101-ZH8-020	88	2	13310-Z4M-881	83	10	14773-ZE1-000	99	12	16166-Z4M-WA1	135	11
12000-Z4M-416	62	1		90	2	13310-Z4M-882	80	2	14781-ZE1-000	101	13	16166-Z4M-WC1	135	11
12000-Z4M-425	71	23	13102-Z0T-810	89	2	13310-Z4M-900	80	2	14791-Z4M-000	101	14		146	12
			13102-Z4M-800	91	2	13310-Z4M-901	82	4	14791-ZE1-010	101	14	16166-Z4M-WE1	161	11
12000-Z4M-426	71	23	13102-Z4M-801	91	2	13310-Z4M-950	80	5				16166-ZH8-800	163	10
			13102-ZH8-020	88	2	13310-Z4M-951	82	7				16166-ZH8-E80	161	11
				89	2	13310-Z4M-980	81	7	15000			16166-ZH8-W00	145	12
12204-ZE1-306	53	1		89	2	13310-Z4M-981	83	10				16166-ZH8-W50	135	11
12205-ZE1-315	53	2	13103-Z0T-810	89	2	13310-Z4M-982	81	11	15510-ZE1-033	63	2		145	12
12209-Z4M-801	94	1	13103-Z4M-800	91	2	13310-Z4X-620	83	11	15510-ZE1-043	63	2	16028-ZE0-005	134	7
12209-ZH8-003	94	1	13103-Z4M-801	91	2	13310-Z4X-621	83	11	15600-Z0T-810	75	4		142	8
12210-Z4M-405	53	3	13103-ZH8-010	88	2	13310-ZB2-000	81	9		79	12	16166-ZH8-W60	135	11
12210-ZH8-415	53	3	13103-ZH8-020	88	2	13310-ZE1-610	80	1	15600-Z0T-820	76	5		145	12
12216-ZE5-300	53	4		89	2	13310-ZE1-622	81	11		77	5	16173-001-004	137	26
12251-Z0T-801	53	5	13104-Z0T-810	89	2	13310-ZE1-660	80	3		79	13	16166-Z4M-911	135	8
			13104-ZH8-010	88	2	13331-357-000	203	1	15600-ZG4-003	75	5		143	9
			13104-ZH8-020	88	2	13331-Z8B-900	203	1	15600-ZH7-000	242	1	16044-Z4M-911	135	8
				89	2				15600-ZG4-003	75	5	16044-ZE0-005	135	8
12251-ZF1-800	53	5		89	2				15600-ZH7-000	242	1		143	9
12251-ZL0-003	54	5		89	2				15625-Z0T-800	77	6	16080-898-631	160	8
12310-Z4M-000	55	6	13111-Z4M-000	91	3	14000				79	11	16081-471-831	261	1
12310-Z4M-010	55	6	13111-ZDK-003	91	3	14100-Z0T-820	94	2	15625-ZE1-003	79	11	16100-Z0T-911	261	2
12310-Z4M-020	55	6	13111-ZE1-000	91	3	14100-Z0T-880	94	2	15721-883-030	57	9	16100-Z0T-921	143	10
12310-Z4M-840	55	6	13200-Z0T-306	92	4	14100-Z0V-820	94	2	15721-ZE1-840	57	8	16100-Z0T-931	135	9
12310-Z4M-841	55	6	13200-Z0T-800	91	4	14100-Z0V-880	94	2	15721-ZH8-000	57	8	16100-Z0T-T41	160	9
12310-Z4M-842	55	6	13200-Z0T-900	92	4	14100-Z1T-810	94	2				16100-Z4M-781	135	9
12310-ZE1-020	54	6		93	4	14100-Z1T-810	94	2	16000			16100-Z4M-911	144	10
12310-ZE1-842	54	6	13200-Z4M-000	92	4	14100-Z4M-000	95	2				16100-Z4M-922	143	10
12391-Z4M-000	57	7	13200-Z4M-305	92	4	14100-Z4M-800	94	2	16010-ZB1-015	160	1	16100-Z4M-932	135	9
12391-ZE1-000	57	7	13200-ZE1-020	91	4	14100-Z4M-820	95	2	16010-ZE0-025	134	1	16100-Z4M-941	144	10
			13310-Z0T-610	80	1	14100-Z4M-870	95	2	16010-ZE1-812	134	1	16100-Z4M-951	144	10
			13310-Z0T-640	81	13	14100-Z4M-871	95	2		138	1	16100-Z4M-T41	160	9
			13310-Z0T-680	81	9	14100-ZE1-812	94	2		163	1		161	9
			13310-Z0T-800	80	2	14100-ZF1-010	94	2	16011-ZE0-005	134	2	16100-Z4M-T51	161	9
13010-Z0T-801	86	1	13310-Z0T-830	80	3	14100-ZH8-800	94	2		139	2	16100-Z4M-T52	161	9
13010-Z4K-004	86	1	13310-Z0T-840	80	4	14100-ZL0-000	94	2		160	2	16100-Z4M-V22	144	10
			13310-Z0T-850	80	5	14100-ZL0-870	94	2		163	2	16220-ZE1-020	135	14
13010-Z4M-003	86	1	13310-Z0T-860	80	6	14410-Z4M-000	95	3		163	2		148	16
			13310-Z0T-870	81	10	14410-ZE1-010	95	3	16013-Z0S-B01	134	3	16100-Z4M-WB1	135	9
			13310-Z0T-880	80	7	14411-ZE1-611	240	3		139	3	16100-Z4M-WC1	144	10
						14431-ZE1-000	95	4		160	3	16221-ZH8-801	135	15
													149	17

PART NO. INDEX

Part Number	Page	Ref.	Part Number	Page	Ref.	Part Number	Page	Ref.	Part Number	Page	Ref.	Part Number	Page	Ref.
16221-ZH8-801	161	14	16561-ZE1-020	223	8	16955-ZE1-010	191	2	17672-Z4H-000	201	14	18466-ZH8-W40	265	5
	163	15	16561-ZH8-940	223	8		192	2	17672-ZE2-W01	195	6	18522-ZE1-000	185	11
16269-ZE1-800	161	15	16561-ZL0-000	223	8	16956-ZE1-811	136	19				18545-Z0V-890	263	42
16271-ZE1-000	165	1		261	4		151	22	18000				183	7
	175	1	16561-ZL0-U30	223	8		163	19				19000		
	178	1	16562-Z4M-000	224	9	16957-ZE1-812	136	20	18310-Z4M-010	181	1	19511-ZE1-000	203	2
	179	1	16562-ZE1-020	224	9		152	23	18310-Z4M-810	181	1	19610-Z4M-000ZA	122	1
16500-Z0V-306	221	3	16570-ZB2-000	224	10		163	20	18310-Z4M-811	181	1	19610-Z4M-000ZB	123	1
16500-Z0V-780	221	3		225	10	16958-397-771	261	9	18310-Z4M-T31	181	1	19610-Z4M-600ZA	122	1
16500-Z0V-S40	220	1	16570-ZE1-714	220	3	16959-471-831	261	10	18310-Z4M-V50	189	21	19610-Z4M-600ZB	122	1
16500-Z4M-000	220	2	16570-ZK8-U30	224	10	16959-Z5T-901	137	27	18310-Z4M-V51	189	21	19610-Z4M-600ZC	123	3
16500-Z4M-305	220	2	16571-Z4M-000	225	11		158	43	18310-Z4M-V91	188	21	19610-Z4M-600ZD	122	1
16500-Z4M-306	221	3	16571-ZH8-020	225	11	16967-GA6-671	261	11	18310-Z4V-010	189	21	19610-Z4M-810ZA	123	2
16500-Z4M-307	221	4	16574-ZE1-000	225	12	16967-ZE0-811	137	28	18310-Z4V-801	189	21	19610-Z4M-820ZB	133	22
16500-Z4M-309	220	1	16575-ZH8-000	226	13		153	24	18310-Z8K-870	180	1	19610-Z4M-830ZB	123	3
16500-Z4M-406	235	31	16576-891-000	227	14		163	21	18310-ZB3-C01	190	1	19610-Z4M-830ZC	123	3
16500-Z4M-407	221	3	16578-ZE1-000	227	15				18310-ZE1-821	180	1	19610-ZE1-000ZC	121	1
16500-Z4M-408	220	2	16580-Z0V-780	228	16	17000			18310-ZF1-000	180	1	19610-ZE1-000ZG	121	1
16500-Z4M-810	220	3	16580-Z0V-781	228	16				18310-ZH7-V90	188	21	19610-ZE1-000ZP	121	1
	221	3	16580-Z4M-000	228	16	17210-Z0V-781	179	2	18310-ZH8-810	180	1	19610-ZE1-010ZC	121	1
	221	4	16580-Z4M-810	228	16	17210-Z4M-821	166	2	18310-ZH8-T30	180	1		122	1
16500-Z4M-850	221	3	16580-Z4M-850	228	16		167	2	18315-ZE1-000	181	2	19610-ZE1-010ZG	121	1
16500-Z4M-870	224	10	16580-ZH8-030	227	16		178	2	18320-Z4M-000	183	3		122	1
	225	10	16580-ZH8-813	227	16	17210-ZE1-822	165	2	18320-Z4V-000	183	3	19610-ZE1-010ZP	121	1
16500-Z4M-890	235	31	16580-ZH8-853	227	16		166	2	18320-ZB2-000	190	8	19610-ZE1-810ZB	123	2
16500-Z4M-U40	220	1	16582-883-300	157	33		167	2	18320-ZF1-H01	181	3	19610-ZE1-810ZG	123	2
16500-ZH8-030	220	2	16582-889-U20	157	33		178	2	18320-ZF1-H02	182	3	19610-ZE1-811ZB	123	2
16500-ZH8-813	220	3	16584-883-300	133	19	17211-ZB2-000	176	1	18320-ZF1-H51	182	3	19610-ZE1-811ZG	123	2
16500-ZH8-823	221	4		229	17	17211-ZE1-000	174	1	18320-ZF1-H52	182	3	19610-ZE1-821ZG	133	22
16500-ZH8-853	220	3	16592-ZE1-810	229	18	17212-ZB2-000	176	2	18325-ZB2-000	190	9	19610-ZE1-830ZA	123	3
16500-ZH8-883	220	2	16594-883-010	229	19	17212-ZB2-800	176	2	18325-ZE1-010	183	4	19610-ZE1-830ZG	123	3
16500-ZH8-893	221	3	16598-ZE1-000	157	34	17212-ZE1-000	174	2	18325-ZH8-T90	190	9	19610-ZE1-831ZA	123	3
16500-ZH8-U43	220	1	16599-ZG1-M10	230	20	17218-Z0V-780	179	3	18329-ZB2-000	190	10	19610-ZE1-831ZG	123	3
16500-ZK8-020	220	2	16610-ZB2-000	161	16	17218-ZE1-821	167	3	18330-ZB2-000	190	2	19611-Z4M-810	123	4
16500-ZK8-912	220	1	16610-ZE1-000	135	16		178	3	18330-ZH8-T90	190	2	19611-Z4M-820	123	4
16506-ZL0-000	70	20		149	18	17219-733-010	178	4	18331-883-810	183	6	19611-ZH8-810	123	4
16510-Z4M-000	63	3		163	16	17220-ZB2-000	176	3		263	41	19611-ZH8-820	123	4
16510-ZE1-000	63	3	16610-ZE1-810	157	35	17220-ZB2-010	176	3	18333-ZB4-801	261	13	19612-Z4M-000	124	5
16510-ZH8-940	63	3	16615-ZE1-010	157	36	17220-ZB2-800	177	10	18338-ZB3-E30	190	11	19612-Z4M-820	124	5
16511-Z4M-000	64	4	16617-890-010	157	37	17220-ZB2-801	177	10	18340-ZE1-010	183	6	19612-Z4M-840	124	6
16511-ZE1-000	63	4	16731-ZE2-003	263	44	17230-Z0V-780	179	4		263	41	19612-ZH8-000	124	5
16511-ZH8-940	64	4	16854-ZG0-960	149	19	17230-Z0V-781	179	4	18355-898-630	190	3	19612-ZH8-821	124	5
16512-Z4M-000	65	5	16854-ZH8-000	149	19	17230-ZE1-820	167	4	18355-ZE1-000	183	7	19612-ZH8-840	124	6
16512-ZE1-000	65	5		161	17	17230-ZE1-841	178	5	18355-ZE1-810	183	7	19613-ZE1-020	124	7
16513-ZE1-000	65	6		191	1	17231-Z4M-010	167	4		261	14	19630-Z4M-000	125	8
16531-Z4M-000	65	7	16854-ZH8-810	161	17	17231-ZB2-000	176	4	18355-ZL0-000	183	7	19630-Z4M-010	125	8
16531-ZE1-000	65	7		191	1	17231-ZE1-000	174	3	18361-ZL0-000	184	8	19630-Z4M-800	125	8
16541-Z4M-000	65	8		161	18	17232-891-000	168	5	18381-Z0T-801	184	9	19630-ZB2-000	125	8
16541-ZE1-000	65	8	16910-GB2-005	261	5		178	6		185	9	19630-ZH8-000	125	8
16551-Z4M-000	221	5	16950-898-633	261	5		179	5		190	5	19640-ZB2-010	133	20
16551-ZE0-010	221	5	16952-GG2-731	261	7	17232-898-000	177	11		190	4			
16551-ZL0-000	221	6	16952-ZB4-005	261	8	17233-896-701	264	1	18381-Z0T-811	190	4	21000		
16555-Z0T-N70	223	7	16953-ZE1-812	135	17	17233-Z0V-780	179	6	18381-ZE1-800	190	4			
16555-Z4M-000	222	7		150	20	17235-Z4M-830	168	6	18381-ZH8-800	184	9			
	223	7		163	17	17235-Z4M-860	168	6		190	5	21510-883-621	242	2
16555-ZE1-000	221	7	16954-ZE1-812	136	18	17235-ZE1-831	168	6		261	15	21521-883-741	244	1
16561-Z4M-000	223	8		151	21	17235-ZE1-860	168	6	18431-ZH8-W50	185	10	21591-ZH8-620	242	3
16561-Z4M-010	223	8		163	18	17238-ZE7-010	169	7	18433-ZH8-W40	264	2	21591-ZH8-740	244	2
	224	8	16955-ZE1-000	192	2		174	4	18434-ZH8-W40	265	3	21610-822-611	242	4
									18436-ZH8-W41	265	4	21621-883-741	244	3



PART NO. INDEX

Part Number	Page	Ref.	Part Number	Page	Ref.	Part Number	Page	Ref.	Part Number	Page	Ref.	Part Number	Page	Ref.	Part Number	Page	Ref.
87533-ZC0-630	258	24	90015-883-000	211	10	90380-MA6-010	237	15				92101-08035-0A	243	23	94301-08140	79	8
87534-ZE1-841	249	9		240	6	90403-883-620	243	18	91202-YA0-P01	68	14	92800-12000	243	24		240	13
87535-ZE1-841	249	10	90015-Z5T-000	231	22	90404-680-000	202	18		69	14	92900-08025-0E	59	12	94301-10160	59	13
87539-898-620	259	30		232	22	90413-Z0T-880	101	17	91202-Z1T-003	68	14				94305-20122	136	22
87539-Z0J-000	249	11	90015-ZE5-010	231	22	90451-ZE1-000	65	10		69	14	93000				154	26
	257	21		232	22	90456-ZE1-000	240	7		79	7					161	20
	258	22	90016-ZE1-000	185	13	90470-ZE1-000	240	8	91202-Z2F-801	243	21	93500-03006-0H	262	32		163	23
87539-Z0J-800	258	22	90016-ZG9-N30	232	23	90471-ZE1-610	240	9	91301-805-000	243	22	93500-03006-1H	136	21			
87539-Z0J-810	257	21	90017-883-000	216	21	90473-842-000	81	14	91301-Z4M-003	217	28		153	25	95000		
87539-Z4M-000	251	13		218	22		83	13	91301-ZE1-003	217	28		163	22			
	257	21	90019-883-000	211	11	90502-187-701	217	25		219	29	93500-03012-0H	238	20	95001-45035-40	161	21
87539-Z4M-800	258	22	90022-888-010	131	16		219	26	91302-Z4M-003	202	17	93500-04006-0H	234	26	95001-45110-40	161	22
87539-Z4M-810	259	25	90043-ZB2-003	58	11	90503-898-000	202	16	91319-ME5-003	202	19	93500-04008-0A	157	39	95001-45140-40	197	10
87539-ZB2-630	259	26	90043-ZE1-020	58	11		262	27	91353-671-004	69	15	93500-04012-0H	238	21	95001-45300-40	154	27
87549-YG0-710	259	27	90047-ZE1-000	59	12	90551-ZE1-000	93	6		196	8	93500-05008-0A	158	40	95001-45430-40	161	22
87594-ZB4-A00	259	28	90050-ZE1-000	186	14	90601-ZE1-000	65	11	91402-Z4M-003	217	29	93500-05016-0A	235	27	95002-02070	158	42
87602-Z0V-780	251	14		265	6	90601-ZH7-013	132	17	91402-ZE6-003	217	29	93500-05020-0H	235	28	95002-02080	154	28
			90050-ZE3-H00	186	14	90602-ZE1-000	65	12		219	30	93500-05025-0A	235	28		162	23
89000			90050-ZH8-W40	266	7	90603-Z4M-003	217	26	91403-Z4M-003	217	30	93500-05025-0H	235	28		199	11
			90055-ZE1-000	185	12	90603-ZE1-003	217	26	91403-ZE6-003	217	30	93500-05032-0H	235	28		263	45
89000-ZE1-000	252	3		186	15		219	27		219	31	93500-05035-0A	133	21	95002-02100	177	13
89101-Z0T-800	252	7		187	15	90605-230-000	157	38	91406-ZE2-003	238	19		235	29	95002-02130	263	46
89212-KWW-601	252	5			16		233	25	91424-Z4F-801	197	10	93500-05040-0G	235	29	95002-40800-08	157	31
89214-KWW-601	252	6			18		234	25	91424-Z4F-802	197	10		262	33		162	26
89216-809-000	252	4		262	25	90605-Z1T-000	233	25	91424-Z4G-811	161	22	93891-06020-07	267	9		199	12
89216-Z0T-000	252	4		263	43	90630-751-000	133	25	91424-Z4G-812	161	22	93892-05014-08	217	31		263	47
89216-Z0T-800	252	1	90056-ZL0-000	187	15		238	16	91424-Z4G-831	161	21		219	32	95002-40850-08	263	48
89216-Z0T-810	263	39	90071-MB0-000	216	22	90631-Z4M-801	217	27	91424-Z4G-832	161	21	93892-05020-08	217	32	95002-80000	61	16
89218-ZE1-000	252	4		218	23	90631-ZE1-003	217	27	91424-Z4J-802	161	22		219	33	95014-62100	262	36
89219-805-000	252	2	90105-733-D61	262	26		219	28	91424-Z4J-803	162	22				95701-06008-00	114	13
			90114-SA0-000	233	24	90634-ZL8-H00	177	12	91424-Z4J-811	154	27	94000				115	13
90000			90115-459-770	176	7	90682-ZE1-000	238	17	91424-Z4J-812	154	27					133	18
			90115-GB4-700	216	23	90690-SA0-003	238	18	91424-Z4J-821	161	22	94001-04390-0S	238	22		260	12
90001-Z4M-000	93	5		218	24	90741-883-621	243	19	91424-Z4J-822	161	22	94001-08000-0S	188	19	95701-06010-00	176	9
90001-ZE1-000	93	5	90115-Z9J-000	176	7	90741-883-810	81	8	91424-Z4K-802	161	22		190	7		239	25
90002-883-740	244	6	90121-952-000	211	12		83	14	91424-Z4M-003	198	10		262	34		262	37
90002-Z0T-800	185	12		217	24		240	10	91424-Z4M-013	198	10	94050-06000	171	11	95701-06012-00	70	19
	263	43		219	25	90741-889-810	243	20	91424-Z4M-023	198	10		174	9		188	20
90002-ZG0-003	185	12	90131-883-000	244	7	90745-ZE1-600	81	8	91424-Z5K-003	263	40		175	11		190	13
	263	43	90131-ZE1-000	65	9		83	14	91424-Z5K-013	263	40		178	16	95701-06020-00	171	12
90003-ZE1-000	81	15	90201-Z0T-800	205	9	90851-898-000	262	28	91424-Z5K-023	263	40		179	12		174	10
	83	12	90201-Z4M-003	216	22	90854-ZB3-000	161	19	91424-Z5M-812	263	40		190	12		175	12
90003-ZH8-801	113	12	90202-Z1T-000	233	24				91424-Z9K-811	161	22		197	9		178	17
	260	11	90206-ZE1-000	101	16	91000			91424-Z9K-831	154	27		235	30		179	13
90004-ZH7-003	195	7	90300-GB0-900	178	14				91424-Z9K-841	161	22		262	35	95701-06055-00	243	28
90008-ZE2-003	114	13	90300-Z1V-000	173	13	91001-Z4X-003	66	13	91424-ZBH-801	161	22	94050-06080	176	8	95701-08022-00	243	29
	115	13	90300-Z4M-800	172	13		67	13	91424-ZBH-802	161	22	94050-10000	69	16	95701-08032-00	79	9
	260	12		173	13		83	15	91424-ZBH-803	162	22	94101-04800	238	23	95701-08032-08	244	10
90010-Z4M-003	216	19		179	10		85	15	91424-ZBH-863	162	22	94101-06800	69	17	95701-08035-00	244	11
90010-ZE1-003	216	19	90300-ZDA-000	172	13	91001-ZF1-003	66	13	91551-898-000	262	29		71	22	95701-08060-00	59	14
	218	20		173	13		67	13				94103-05700	267	10	95723-08060-00	59	14
90012-Z4M-003	216	20	90302-KF9-900	266	8		84	15	92000			94109-12000	243	25			
90012-ZE0-010	101	15	90325-044-000	171	10		85	15					244	9	96000		
90012-ZE1-003	216	20		172	13	91001-ZF1-004	67	13	92101-08020-0A	190	6	94111-04800	238	24			
90012-ZE1-721	218	21		173	13		84	15		262	30	94111-08800	243	26	96100-62040-00	244	12
90013-883-000	57	10		174	8		85	15	92101-08025-0A	81	15	94251-08000	69	18	96100-62050-00	79	10
	130	15		175	10	91201-Z0T-801	67	14		83	12	94301-08100	217	33		241	14
	131	15		178	15		78	7		240	12		219	34		243	30
	231	21		179	11		240	11		262	31		243	27	96100-62060-00	243	31



PART NO. INDEX

Part Number	Page	Ref.	Part Number	Page	Ref.	Part Number	Page	Ref.	Part Number	Page	Ref.	Part Number	Page	Ref.
96100-63050-00	244	13												
98000														
98079-55846	61	15												
98079-55855	60	15												
98079-55876	61	15												
98079-56846	61	15												
98079-56855	60	15												
98079-56876	60	15												
	61	15												
	262	38												
98200-30500	239	26												
98200-31500	239	26												
98200-32500	239	26												
99000														
99001-10120	252	5												
99001-14170	252	6												
99004-21001	263	39												
99008-02300	252	7												
99101-ZH8-0600	136	23												
	137	23												
	156	29												
	157	29												
99101-ZH8-0620	136	23												
	155	29												
	157	29												
	163	24												
99101-ZH8-0650	136	23												
	137	23												
	155	29												
	156	29												
	157	29												
	163	24												
99101-ZH8-0680	136	23												
	155	29												
	156	29												
	164	24												
99101-ZH8-0700	136	23												
	137	23												
	155	29												
	156	29												
	162	24												
99101-ZH8-0720	136	23												
	162	24												
99101-ZH8-0750	162	24												
99204-ZE0-0350	137	24												
	157	30												
	162	25												
99204-ZE0-0380	137	24												
	157	30												
	164	25												
99204-ZE0-0400	157	30												
99204-ZE2-0350	162	25												
99204-ZE2-0400	137	24												
	157	30												

3

PART NAME INDEX

Part name	Page	Ref.	Part name	Page	Ref.	Part name	Page	Ref.
[A]			BOLT, FLANGE, 6X20	131	16	CAP ASSY., OIL FILLER	75	4
ALERT UNIT, OIL	125	10		171	12		76	5
	126	10		174	10		77	5
	127	10		175	12		79	12
	133	24		178	17			13
	237	9	BOLT, FLANGE, 6X25	211	12	CAP COMP., FUEL FILLER	242	1
ARM, GOVERNOR	221	5		217	24		193	4
		6		219	25		199	13
ARM, VALVE ROCKER	95	4	BOLT, FLANGE, 6X28	211	10		200	13
ARRESTER, SPARK	183	7		240	6	CAP, BOOST	201	13
	190	3	BOLT, FLANGE, 6X29	195	7	CAP, CLEANER	158	41
	261	14	BOLT, FLANGE, 6X32	216	21		174	7
[B]				218	22	CAP, MUFFLER	175	9
BAG, TOOL, 230MM	252	7	BOLT, FLANGE, 6X55	243	28		183	6
BAND	237	8	BOLT, FLANGE, 6X8	114	13		263	41
BAND B1, WIRE	262	36		115	13	CAP, PRE AIR CLEANER	178	11
BARREL ASSY., CYLINDER	62	1	BOLT, FLANGE, 8X22	243	29	CAP, SEALING	177	12
	71	23	BOLT, FLANGE, 8X32	79	9	CARBURETOR ASSY.	135	9
	72	23		244	10		143	10
BASE COMP., CONTROL	227	16	BOLT, FLANGE, 8X35	244	11		144	10
	228	16	BOLT, FLANGE, 8X60	59	14		160	9
BASE COMP., MUFFLER COVER	265	4	BOLT, GOVERNOR ARM	231	22	CASE B, STARTER	161	9
BEARING, RADIAL BALL	66	13		232	22	CASE COMP., AIR CLEANER	163	8
	67	13	BOLT, HEX., 5/16"	81	15		115	14
	83	15		83	12	CASE COMP., RECOIL STARTER	176	3
	84	15	BOLT, HEX., 8X20	190	6		177	10
	85	15		262	30		105	2
BEARING, RADIAL BALL, 6204	244	12	BOLT, HEX., 8X25	81	15		106	2
BEARING, RADIAL BALL, 6205	79	10		83	12	CASE, CONTROL	260	2
	241	14		240	12	CASE, PRE AIR CLEANER	237	2
	243	30		262	31	CASE, REDUCTION	242	2
BEARING, RADIAL BALL, 6206	243	31	BOLT, HEX., 8X35	243	23		244	1
BEARING, RADIAL BALL, 6305	244	13	BOLT, MUDGUARD	178	14	CENTER, CLUTCH	242	6
BODY, CLEANER	175	4	BOLT, PIVOT, 8MM	101	15	CENTER, CLUTCH WEIGHT	243	14
BOLT, 3X12	262	26	BOLT, SETTING	216	20	CHAIN, DRIVE	243	16
BOLT, BREATHING	244	6		218	21	CHAIN, P.T.O. DRIVE	240	3
BOLT, CONNECTING ROD	93	5	BOLT, STUD, 6X112	58	11	CHAMBER SET, FLOAT	134	4
BOLT, CONNECTING ROD, 6X34.5 ..	93	5	BOLT, STUD, 6X94	58	11		139	4
BOLT, DRAIN PLUG	65	9	BOLT, STUD, 8X25	59	12		140	4
BOLT, DRAIN PLUG, 12MM	243	24	BOLT, STUD, 8X32	59	12		160	4
BOLT, DRAIN PLUG, 12X15	244	7	BOLT, WINKER SETTING	176	7		163	4
BOLT, FLANGE, 5X10	211	11	BOX ASSY., CONTROL	236	1	CHOKE KIT, REMOTE CONTROL	157	32
BOLT, FLANGE, 6X10	114	13		237	1	CHOKE SET	135	8
	115	13	BRACKET COMP., FR.	215	15		143	9
	176	9		218	16	CIRCLIP, 10.2MM	160	8
	239	25	BRACKET, CASE MOUNTING	237	3		217	26
	260	12	BUSH, CONTROL KNOB	261	20		219	27
	262	37				CIRCLIP, 5MM	157	38
BOLT, FLANGE, 6X12	57	10	[C]				233	25
	70	19	CABLE, DOUBLE CONNECTOR	133	23		234	25
	130	15	CAMSHAFT ASSY.	94	2	CLAMPER, CORD	209	5
	188	20		95	2	CLAMP, CORD	124	7
	190	13	CAP ASSY., NOISE SUPPRESSOR ..	209	2	CLAMP, TUBE	157	31
	231	21		212	15		162	26
BOLT, FLANGE, 6X13	185	13					199	12
							263	47
								48



PART NAME INDEX

Part name	Page	Ref.	Part name	Page	Ref.	Part name	Page	Ref.
CLIP, CORD	238	17	COVER COMP., FAN	123	1	DOWEL PIN, 8X10	217	33
CLIP, GOVERNOR HOLDER	65	12			2		219	34
CLIP, HARNESS	132	17			3		243	27
CLIP, PISTON PIN, 18MM	93	6		133	22	DOWEL PIN, 8X14	79	8
CLIP, PURSE LOCK	133	25	COVER COMP., GEAR	214	4		240	13
	238	16		218	5			
CLIP, TUBE	61	16	COVER COMP., HEAD	54	6	[E]		
	154	28		55	6			
	158	42	COVER COMP., MUFFLER	264	2	ELBOW COMP., AIR CLEANER	169	9
	162	23	COVER COMP., RR. MUFFLER	265	3		170	9
	177	13	COVER, AIR CLEANER	167	4		174	6
	199	11		174	3		175	8
	263	44		176	4		178	9
		45		178	5		179	9
		46	COVER, MAGNETIC SWITCH	215	17	ELEMENT, AIR CLEANER	165	2
CLIP, VALVE GUIDE	53	4		218	19		166	2
COCK ASSY., FUEL	261	5	COVER, REDUCTION	242	4		167	2
		6		244	3		174	1
COIL ASSY., CHARGE	210	7	COVER, SPRING	215	13		175	6
		8		218	14		176	1
	211	13	COVER, STARTER MOTOR TERMINAL	216	18		178	2
	213	17		218	18		179	2
COIL ASSY., IGNITION	208	1	CRANKSHAFT COMP.	80	1	EMBLEM	246	3
	209	1			2		247	3
	211	14			3		253	3
COIL ASSY., LAMP	209	3			4			15
		4			5			
COLLAR B, AIR CLEANER	169	8			6	[F]		
	174	5			7			
	175	3		81	7	FAN, COOLING	203	2
	178	8			9	FILTER COMP., FUEL	195	6
	179	8			10	FILTER, CUP	137	27
COLLAR, AIR CLEANER	169	7			11		158	43
	174	4			13		261	10
	175	2		82	1	FILTER, FUEL	195	6
	178	7			2		201	14
	179	7			3	FILTER, OUTER	167	3
COLLAR, AIR CLEANER CASE	264	1			4		178	3
COLLAR, STOPPER	230	20			5		179	3
COLLAR, TANK CUSHION	262	29			6	FLOAT SET	134	3
CONTROL ASSY.	220	1			7		139	3
		2			8		160	3
		3		83	9		163	3
	221	3			10	FLYWHEEL COMP.	205	5
		4			11			6
	224	10	CUP, FUEL STRAINER	137	28			7
	225	10		153	24			8
	235	31		163	21		206	11
CORD, MAGNET SWITCH	215	16		261	2		207	11
	218	17			11			12
CORD, STOP SWITCH	210	9						14
	213	16	[D]					15
COVER ASSY., AIR CLEANER	179	4				FUSE, BLADE	239	26
COVER ASSY., CHAIN CASE	240	1	DEFLECTOR COMP.	183	6			
COVER ASSY., CRANKCASE	73	1		263	41	[G]		
		2	DEFLECTOR, MUFFLER	185	10			
	74	2	DISK, CLUTCH FRICTION	242	7	GASKET SET	134	1
COVER COMP., FAN	121	1	DOWEL PIN, 10X16	59	13		138	1
	122	1						

PART NAME INDEX

Part name	Page	Ref.	Part name	Page	Ref.	Part name	Page	Ref.
GASKET SET	160	1	[J]			LABEL, E-SPEC	245	1
	163	1				LABEL, SPARK WARNING	259	27
GASKET, CYLINDER HEAD	53	5	JET SET, PILOT, #35	137	24	LENS ASSY., PROTECTOR	237	13
	54	5		157	30	LEVER COMP., CHOKE	135	16
GASKET, EX. PIPE	261	13		162	25		149	18
GASKET, MUFFLER	184	9	JET SET, PILOT, #38	137	24		157	35
	185	9		157	30		161	16
	190	4		164	25		163	16
		5	JET SET, PILOT, #40	137	24	LEVER, COCK	135	17
	261	15		157	30		150	20
GAUGE ASSY., FUEL	202	20	JET, MAIN, #60	136	23		163	17
GEAR ASSY.	215	14		137	23	LEVER, CONTROL	225	11
	217	34		156	29	LIFTER, VALVE	95	5
	218	15		157	29			
GOVERNOR ASSY.	63	3	JET, MAIN, #62	136	23	[M]		
	70	20		155	29	MARK, AIR CLEANER	258	24
GRID, AIR CLEANER	174	2		157	29	MARK, AIR CLEANER SALES POINT ..	249	10
		11		163	24	MARK, CAUTION	258	23
	175	7	JET, MAIN, #65	136	23	MARK, CHOKE	247	4
GROMMET, AIR CLEANER	168	5		137	23		248	7
	177	11		155	29		253	4
	178	6		156	29			
	179	5		157	29			10
GROMMET, CORD	209	6		163	24	MARK, CONTROL BOX	237	14
GROMMET, DRAIN HOLE	129	14	JET, MAIN, #68	136	23	MARK, ENGINE SWITCH	248	6
GUIDE, EX. VALVE	53	2		155	29	MARK, EX. CAUTION	249	11
GUIDE, IN. VALVE	53	1		156	29		251	13
GUIDE, MUFFLER	185	11		164	24		257	21
	263	42	JET, MAIN, #70	136	23		258	22
GUIDE, PRE AIR CLEANER	178	12		137	23		259	25
GUIDE, RATCHET	109	6		155	29			26
	117	18		156	29			30
	260	5	JET, MAIN, #72	162	24	MARK, OIL CAUTION	259	28
[H]				136	23	MARK, OPERATOR CAUTION	245	2
HANDLE, BOX WRENCH	252	2	JET, MAIN, #75	162	24		246	2
HARNESS ASSY., SUB WIRE	261	17		162	24		248	8
	263	50	JOINT, FUEL TANK	191	2		249	8
				192	2			12
HARNESS, SUB WIRE	237	7	[K]				250	12
HEAD COMP., CYLINDER	53	3					253	18
HOLDER, CABLE	157	37	KEY COMP.	237	11		254	19
	227	14	KEY, 4.78X4.78X38	81	8		255	19
HOLDER, CLUTCH SPRING	242	11		83	14		256	19
HOLDER, CLUTCH WEIGHT	242	13	KEY, 5MM	243	19		257	20
HOLDER, CONTROL CABLE	157	33	KEY, 5X5X33	81	8		259	29
HOLDER, GOVERNOR WEIGHT	65	5		83	14	MARK, SALES POINT	251	14
HOLDER, HARNESS	217	27		240	10	MARK, THROTTLE INDICATION	248	5
	219	28	KEY, 7X7X33	243	20		253	11
HOLDER, WIRE	229	19	KEY, SPECIAL WOODRUFF, 25X18 ..	203	1	METER ASSY., FUEL	261	12
[I]			KNOB, COCK LEVER	261	18	MOTOR ASSY., STARTER	218	1
INSULATOR COMP., CARBURETOR ...	147	14	KNOB, RECOIL STARTER	112	10	MOTOR ONLY	215	9
INSULATOR, CARBURETOR	135	12		115	15		218	10
	147	14		260	9	MOTOR UNIT, STARTER	214	3
	161	12	KNOB, REINFORCEMENT	116	16		218	4
	163	12	[L]			MUFFLER COMP.	180	1
							181	1
			LABEL, AIR CLEANER CAUTION ...	249	9		188	21
							189	21
							190	1



PART NAME INDEX

Part name	Page	Ref.	Part name	Page	Ref.	Part name	Page	Ref.
[N]			O-RING, 14MM	69	15	PIVOT, ROCKER ARM	95	6
NETTING, WIRE FLANGE	184	8		196	8		96	6
NOSE, SILENCER	168	6	O-RING, 26X2.7	243	22	PLATE COMP., CLUTCH PRESSURE ..	242	9
NOZZLE, MAIN	135	11	O-RING, 5.5X1.4	202	19	PLATE COMP., SIDE	123	4
	145	12	O-RING, 5.5X1.5	202	17	PLATE, CLUTCH	242	8
	146	12	O-RING, 9.0X1.3	261	9	PLATE, FRICTION	109	5
	161	11	[P]				260	13
	163	10	PACKING SET, COCK	261	1	PLATE, LEVER SETTING	136	18
NUT-WASHER, 6MM	216	22	PACKING, AIR CLEANER	161	15		151	21
	218	23	PACKING, AIR CLEANER COVER ..	178	4	PLATE, PRE AIR CLEANER	178	13
NUT, AIR CLEANER	172	13	PACKING, CARBURETOR	135	15	PLATE, PUSH ROD GUIDE	101	14
	173	13		149	17	PLATE, SIDE	124	5
	179	10		161	14		6	6
NUT, FLANGE, 10MM	69	16	PACKING, CASE COVER	163	15	PLUG, SPARK	60	15
NUT, FLANGE, 6MM	171	11		74	3		61	15
	174	9	PACKING, CHAIN CASE COVER ..	240	2		262	38
	175	11	PACKING, ELBOW	165	1	PROTECTOR COMP., MUFFLER	183	3
	176	8		175	1	PROTECTOR, CIRCUIT	237	12
	178	16		178	1	PROTECTOR, LOWER	183	4
	179	12		179	1	PROTECTOR, MUFFLER	181	3
	190	12	PACKING, FUEL COCK	136	20		182	3
	197	9		152	23	PROTECTOR, MUFFLER INNER	190	9
	235	30		163	20	PROTECTOR, MUFFLER OUTER	190	8
	262	35	PACKING, FUEL FILLER CAP	194	5	PULLEY COMP., STARTER	203	3
NUT, HEX., 4MM	238	22		195	5		207	13
NUT, HEX., 5MM	266	8	PACKING, HEAD COVER	56	7	PULLEY, STARTER	204	4
NUT, HEX., 8MM	188	19		57	7		206	10
	190	7	PACKING, INSULATOR	135	13	[R]		
	262	34		147	15	RATCHET, STARTER	108	4
NUT, PIVOT ADJUSTING	101	16		161	13		117	17
NUT, SELF-LOCK, 6MM	233	24	PACKING, OIL FILLER CAP	163	13		260	4
NUT, SPECIAL, 14MM	205	9		77	6	RECTIFIER ASSY., REGULATOR	261	16
NUT, TOOL BOX SETTING	171	10		79	11		263	49
	172	13	PACKING, REDUCTION CASE	242	3	RECTIFIER ASSY., SILICON	237	5
	173	13		244	2	REEL, RECOIL STARTER	107	3
	174	8	PACKING, REDUCTION COVER	242	5		108	3
	175	10		244	4		107	3
	178	15	PANEL COMP., CONTROL	237	4	RETAINER, EX. VALVE SPRING	99	12
	179	11	PAN, CLEANER OIL	175	5	RETAINER, IN. VALVE SPRING	98	11
[O]			PIECE A, STOPPER	215	10		99	11
OIL SEAL, 25X41X6	67	14	PIECE B, STOPPER	218	11		100	12
	68	14		215	11		99	11
	69	14	PINION ASSY.	218	12		100	12
	78	7		214	5	RETAINER, VALVE SPRING	99	11
	79	7	PIN, GOVERNOR WEIGHT	218	6		100	12
	240	11	PIN, LOCK, 8MM	65	6		101	12
	244	8	PIN, PISTON	69	18	RING SET, PISTON	86	1
OIL SEAL, 30X50X7	243	21	PIN, SPRING, 2X12	91	3		87	1
O-RING	137	26		136	22	ROD ASSY., CONNECTING	91	4
	146	13		154	26		92	4
	163	11	PIPE COMP., EX.	161	20	ROD COMP., PUSH	93	4
	214	2	PISTON	163	23	ROD, GOVERNOR	95	3
	217	28		190	2		221	7
	218	3		88	2		222	7
	219	29		89	2		223	7
	261	3		90	2	ROD, PUSH	95	3
				91	2			

PART NAME INDEX

Part name	Page	Ref.	Part name	Page	Ref.	Part name	Page	Ref.
ROPE, RECOIL STARTER	113	11	SCREW, PAN, 5X35	133	21	SPRING, GOVERNOR	223	8
	260	10		235	29		224	8
ROTATOR, VALVE	101	13	SCREW, PAN, 5X40	235	29		261	4
ROTOR ASSY.	215	8		262	33	SPRING, LEVER	225	12
	218	9	SCREW, PAN, 5X8	158	40	SPRING, RECOIL STARTER	111	8
RUBBER, FR. BOTTOM	262	23		216	19		260	7
RUBBER, FUEL	161	19	SCREW, RECESSED, 5X25	232	23	SPRING, RETURN	111	9
RUBBER, RR. BOTTOM	262	24	SCREW, SETTING	113	12		118	19
RUBBER, SUPPORTER	149	19		260	11		157	36
	161	17	SCREW, SPECIAL, 6X12	237	15		215	12
	191	1	SCREW, TAPPING, 4X6	185	12		218	13
RUBBER, TANK CUSHION	262	28		186	15		260	8
RUBBER, TANK MOUNTING	262	22		187	15	SPRING, THROTTLE RETURN	224	9
						SPRING, THRUST	240	7
[S]						SPRING, VALVE	98	10
SCREEN COMP.	183	7		262	25	SPRING, WEIGHT RETURN	97	7
SCREEN SET	261	7	SCREW, TAPPING, 4X8	263	43	SPROCKET COMP., DRIVE	243	15
SCREEN SET, FUEL STRAINER	261	8		185	12	SPROCKET, DRIVE	240	4
SCREW-WASHER, 5X14	217	31		263	43	STARTER ASSY., RECOIL	102	1
	219	32	SCREW, TAPPING, 5X25	266	7		103	1
SCREW-WASHER, 5X20	217	32	SCREW, TAPPING, 5X8	186	14		104	1
	219	33		265	6		105	1
SCREW-WASHER, 5X30	216	23	SCREW, THROTTLE STOP	135	10		118	20
	218	24		145	11		119	20
SCREW-WASHER, 5X8	216	19		161	10		120	20
	218	20	SEAL, AIR CLEANER	163	9		260	1
SCREW-WASHER, 6X20	267	9	SEAL, AIR CLEANER COVER	176	6	STAY, AIR CLEANER	176	5
SCREW SET	134	5	SEAL, MUFFLER PROTECTOR	179	6	STAY, CHOKE CONTROL	157	34
			SEAL, VALVE STEM	190	10	STAY, MUFFLER	181	2
	135	7	SEPARATOR, AIR CLEANER	94	1		190	11
	140	6	SHAFT COMP., P.T.O.	176	2	STRAINER COMP., FUEL	161	18
	141	6	SHAFT UNIT, GEAR	243	17	STRAP, WIRE HARNESS, 25MM	238	18
	142	8		214	6	SUB HARNESS	125	9
	160	5	SHAFT, GOVERNOR ARM	215	6	SUSPENSION, COUPLER	237	6
			SHAFT, P.T.O.	218	7	SWITCH ASSY., COMBINATION	237	10
SCREW SET, DRAIN	163	7		65	8	SWITCH ASSY., ENGINE	261	21
	134	6		240	5	SWITCH ASSY., ENGINE STOP	127	11
	141	7	SHROUD ASSY., UPPER	244	5			12
	160	6	SHROUD COMP.	133	20		128	12
	163	6	SHROUD COMP., LOWER	125	8		129	12
SCREW SET, PILOT	134	5	SLIDER, GOVERNOR	125	8		261	19
	140	6	SPACER COMP., CARBURETOR	65	7	SWITCH ASSY., OIL LEVEL	63	2
	141	6		135	14		71	21
	160	5	SPACER, 20MM	148	16	SWITCH COMP., STARTING MAGNET	214	1
SCREW, PAN, 3X12	238	20	SPACER, CONTROL LEVER	163	14		218	2
SCREW, PAN, 3X6	136	21	SPACER, MUFFLER COVER	240	8			
	153	25	SPANNER, 10X12	227	15	[T]		
	163	22	SPANNER, 14X17	265	5	TANK COMP., FUEL	192	3
	262	32	SPRING, CABLE RETURN	252	5		193	3
SCREW, PAN, 4X12	238	21	SPRING, CLUTCH FREE	252	6		201	15
SCREW, PAN, 4X6	234	26	SPRING, COCK LEVER	229	18		202	15
SCREW, PAN, 4X8	157	39		242	10		202	15
SCREW, PAN, 5X16	235	27	SPRING, CONTROL ADJUSTING	136	19		252	3
SCREW, PAN, 5X20	235	28		151	22	TOOL KIT	57	8
SCREW, PAN, 5X25	235	28		163	19	TUBE, BREATHER		9
SCREW, PAN, 5X32	235	28	SPRING, FRICTION	133	19			
				229	17	TUBE, FASTENER, 30MM	238	19
				110	7	TUBE, FUEL, 4.2X110	161	22
				260	6	TUBE, FUEL, 4.2X150	162	22



PART NAME INDEX

Part name	Page	Ref.	Part name	Page	Ref.	Part name	Page	Ref.
TUBE, FUEL, 4.2X180	161	22	WRENCH, BOX	252	4			
	162	22		263	39			
TUBE, FUEL, 4.2X300	154	27	WRENCH, SPARK PLUG	252	1			
TUBE, FUEL, 4.2X430	161	22						
TUBE, FUEL, 4.5X110	161	22	[Y]					
TUBE, FUEL, 4.5X140	197	10						
TUBE, FUEL, 4.5X145	198	10	YOKE ASSY.	215	7			
TUBE, FUEL, 4.5X150	161	22		218	8			
	162	22						
TUBE, FUEL, 4.5X180	161	22						
TUBE, FUEL, 4.5X210	263	40						
TUBE, FUEL, 4.5X300	154	27						
TUBE, FUEL, 4.5X35	161	21						
TUBE, FUEL, 4.5X430	161	22						
[V]								
VALVE SET, FLOAT	134	2						
	139	2						
	160	2						
	163	2						
VALVE, EX.	97	9						
VALVE, IN.	97	8						
[W]								
WASHER, 6.5X25X1.5	202	18						
WASHER, 8MM	81	14						
	83	13						
	240	9						
WASHER, CONTROL LEVER	226	13						
WASHER, DRAIN PLUG, 10.2MM	65	11						
WASHER, DRAIN PLUG, 12MM	243	25						
	244	9						
WASHER, PINION	217	25						
	219	26						
WASHER, PLAIN	137	25						
	159	44						
	162	27						
	164	26						
WASHER, PLAIN, 4MM	238	23						
WASHER, PLAIN, 5MM	267	10						
WASHER, PLAIN, 6MM	69	17						
	71	22						
WASHER, SPECIAL	217	29						
	219	30						
WASHER, SPRING	217	30						
	219	31						
WASHER, SPRING, 4MM	238	24						
WASHER, SPRING, 8MM	243	26						
WASHER, TANK CUSHION	202	16						
	262	27						
WASHER, THRUST, 14.1MM	101	17						
WASHER, THRUST, 20MM	243	18						
WASHER, THRUST, 6MM	65	10						
WEIGHT, CLUTCH	242	12						
WEIGHT, GOVERNOR	63	4						
	64	4						
WRENCH COMP., SPARK PLUG	252	4						

1

FOREWORD INDEX

2

ENGINE GROUP

3

PART NUMBER INDEX

4

PART NAME INDEX

HONDA

HONDA PARTS CATALOGUE NEWS

PARTS CATALOGUE - CORRECTED

CODE NO.	13Z4M606
PARTS CATALOGUE NEWS	GX160UT1 GX160UT2 GX160UT2X GX160RT1 GX160RT2 GX160RT2X
NEWS NO.	001

Block No.	Ref. No.	Note	Part No.	Description	Reqd. QTY						Serial No.	Parts catalogue code
					GX 160 UT1	GX 160 UT2	GX 160 UT2X	GX 160 RT1	GX 160 RT2	GX 160 RT2X		
E-7	8	T	90741-883-810	KEY, 5X5X33 (YELLOW).....	1	1	-	1	1	-	-----	S1CY, SCM, SD16, SG22, SG24, SHCC, SHQ4, SHQU, SHRY SMC7, SMC9, SMW2, SMX4, SMXE, SSX2, SWG4, SWX2, SX2 SX4, SX7, SX9, SXE4, SXE5, SXS, SXS2, SXS4, SXU
					-	1	-	-	-	-	-----	4000000 SMXC
		T	90745-ZE1-600	KEY, 4.78X4.78X38.....	1	-	-	-	-	-	-----	QA2, QA26, QAX2, QAX4, QBC2, QBM2, QBT6, QCB2, QCL QGR9, QH26, QKA4, QMC6, QMC8, QMD6, QMZ2, QNT, QNT4 QPU, QW24, QWA4, QWW2, QWX2, QX2, QX26, QX4, QX7 QX9, QXC4, QXC9, QXE2, QXE4, QXE5, QXE8, QXF2, QXP2 QXS2, QXU, QXW, QXWE
					-	1	-	-	-	-	-----	QA2, QAX2, QAX4, QBC2, QBM2, QC9, QCM, QGR9, QH26 QMC6, QMC8, QMD6, QMX2, QPU, QWA4, QWX2, QX2, QX4 QX9, QXE2, QXE5, QXE8, QXM2, QXS2, QXU, QXWE
					-	1	-	-	-	-	-----	4000000 QMXC, QXC9

NOTE A:PART NO. CHANGE D:NEWLY PROVIDED E:PART NO. DELETION K:REQUIRED NO. CORRECTION L:APPLICATION SERIAL NO. CORRECTION
M:PART DESCRIPTION CORRECTION T:APPLICATION CORRECTION Z:REMARKS CHANGE

HONDA PARTS CATALOGUE NEWS

PARTS CATALOGUE - CORRECTED

CODE NO.	13Z4M606
PARTS CATALOGUE NEWS	GX160UT1 GX160UT2 GX160UT2X GX160RT1 GX160RT2 GX160RT2X
NEWS NO.	002

Block No.	Ref. No.	Note	Part No.	Description	Reqd. QTY						Serial No.	Parts catalogue code
					GX 160 UT1	GX 160 UT2	GX 160 UT2X	GX 160 RT1	GX 160 RT2	GX 160 RT2X		
E-17	10	L	91424-Z4M-013	TUBE, FUEL, 4.5X145 (FKM).....	-	1	-	-	-	-	4214196 4777682	HH26/A, HX2/A, HX4/A, HXE8/A, QAX4/A, QMX2/A QXE5/A, QXWE/A, RH2/A, RHQ4/A, RX4/A, RXE2/A S1CY/A, SHRY/A, SMW2/A, SSSX2/A, SXE5/A, UXU/A WMBO/A, WMT4/A
					-	1	-	-	-	-	4214592 4818166	LX2/A, LX4/A, LXM2/A, PXU/A, QA2/A, QBM2/A, QC9/A QCM/A, QGR9/A, QH26/A, QHQ4/A, QMC6/A, QMC8/A QMD6/A, QME4/A, QWA4/A, QX2/A, QX4/A, QX9/A QXE2/A, QXEB, QXGB, QXU/A, SCM/A, SD16/A, SG24/A SHCC/A, SHQ4/A, SMC7/A, SMX4/A, SMXE/A, SWX2/A SX4/A, SXS4/A, SXU/A, TX2/A, TX4/A, TXDU/A, VA2/A VG25/A, VSD9/A, VXE9/A, WKS/A, WKT2/A
					-	1	-	-	-	-	4214592 -----	QWX2/A, QXS2/A, SMC9/A, VCG/A, VXU1/A
		T	91424-Z4M-023	-	1	-	-	-	-	4777683 -----	HH26/A, HX2/A, HX4/A, HXE8/A, QAX4/A, QMX2/A QXE5/A, QXWE/A, RH2/A, RHQ4/A, RX4/A, RXE2/A S1CY/A, SHRY/A, SMW2/A, SSSX2/A, SXE5/A, UXU/A WMBO/A, WMT4/A
					-	1	-	-	-	-	4818167 -----	LX2/A, LX4/A, LXM2/A, PXU/A, QA2/A, QBM2/A, QC9/A QCM/A, QGR9/A, QH26/A, QHQ4/A, QMC6/A, QMC8/A QMD6/A, QME4/A, QWA4/A, QX2/A, QX4/A, QX9/A QXE2/A, QXEB, QXGB, QXU/A, SCM/A, SD16/A, SG24/A SHCC/A, SHQ4/A, SMC7/A, SMX4/A, SMXE/A, SWX2/A SX4/A, SXS4/A, SXU/A, TX2/A, TX4/A, TXDU/A, VA2/A VG25/A, VSD9/A, VXE9/A, WKS/A, WKT2/A
					-	-	1	-	-	-		

NOTE A:PART NO. CHANGE D:NEWLY PROVIDED E:PART NO. DELETION K:REQUIRED NO. CORRECTION L:APPLICATION SERIAL NO. CORRECTION
M:PART DESCRIPTION CORRECTION T:APPLICATION CORRECTION Z:REMARKS CHANGE