

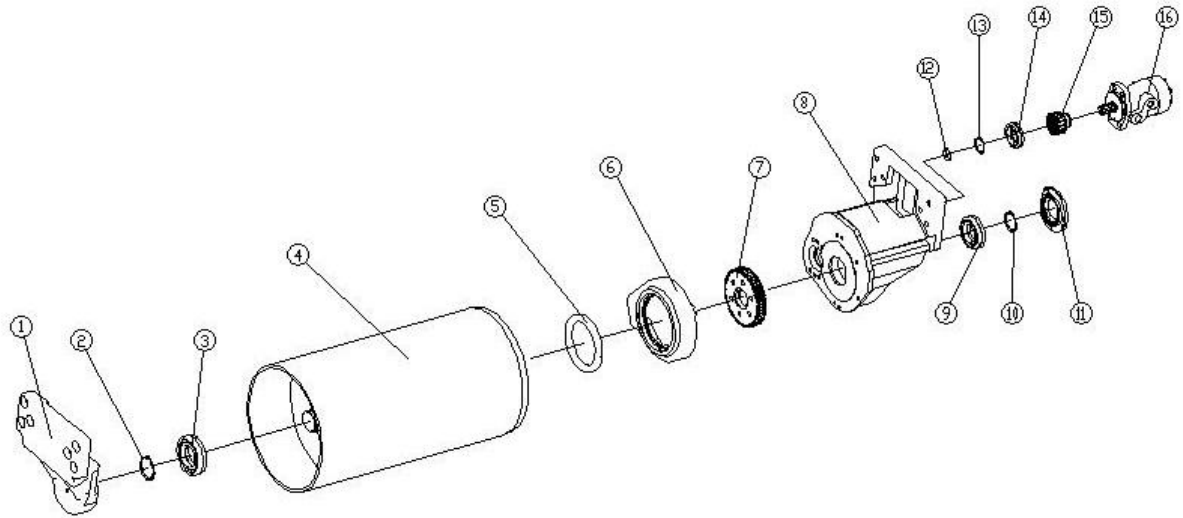


**SPARE PARTS BOOKS
FOR *SQRDWB34***



ConstruMarket.

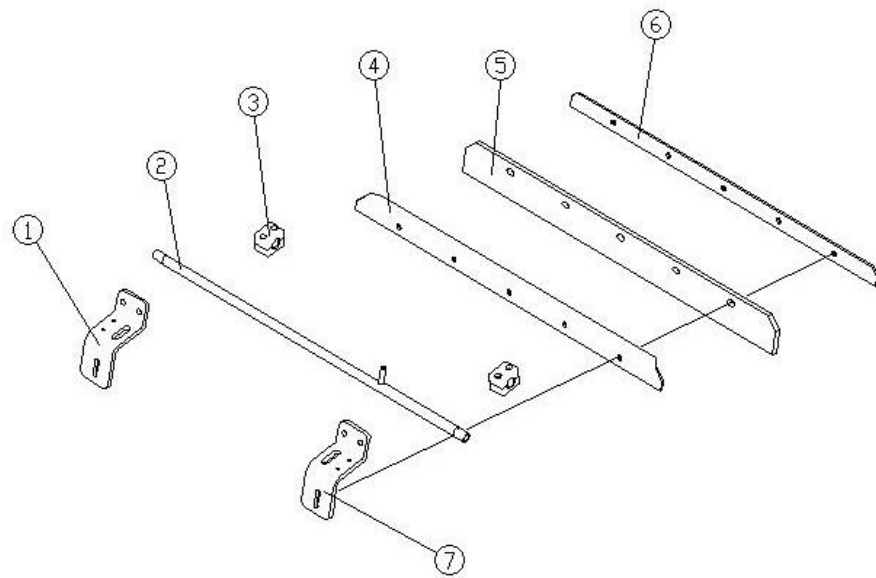
1.DRUM ASSEMBLY



NO.	CODE	DESCRIPTIONS	QTY	MODEL
1	2100113A	Left front support	1	Self-made parts
2	DQK010137	Circlip	1	60
3	NZC012213	Deep groove ball bearing	1	6212-2RS
4	2100101A	Front drum	1	Self-made parts
5	MFJ023601	framework oil seal	1	TC125*160*12
6	2100106	End cover	1	Self-made parts
7	2100103	Big gear	1	Self-made parts
8	2100105	Right front support	1	Self-made parts
9	NZC010611	Deep groove ball bearing	1	HRB 6210 ZZ
10	DQK010132	Circlip	1	50
11	2100116	End cover	1	Self-made parts

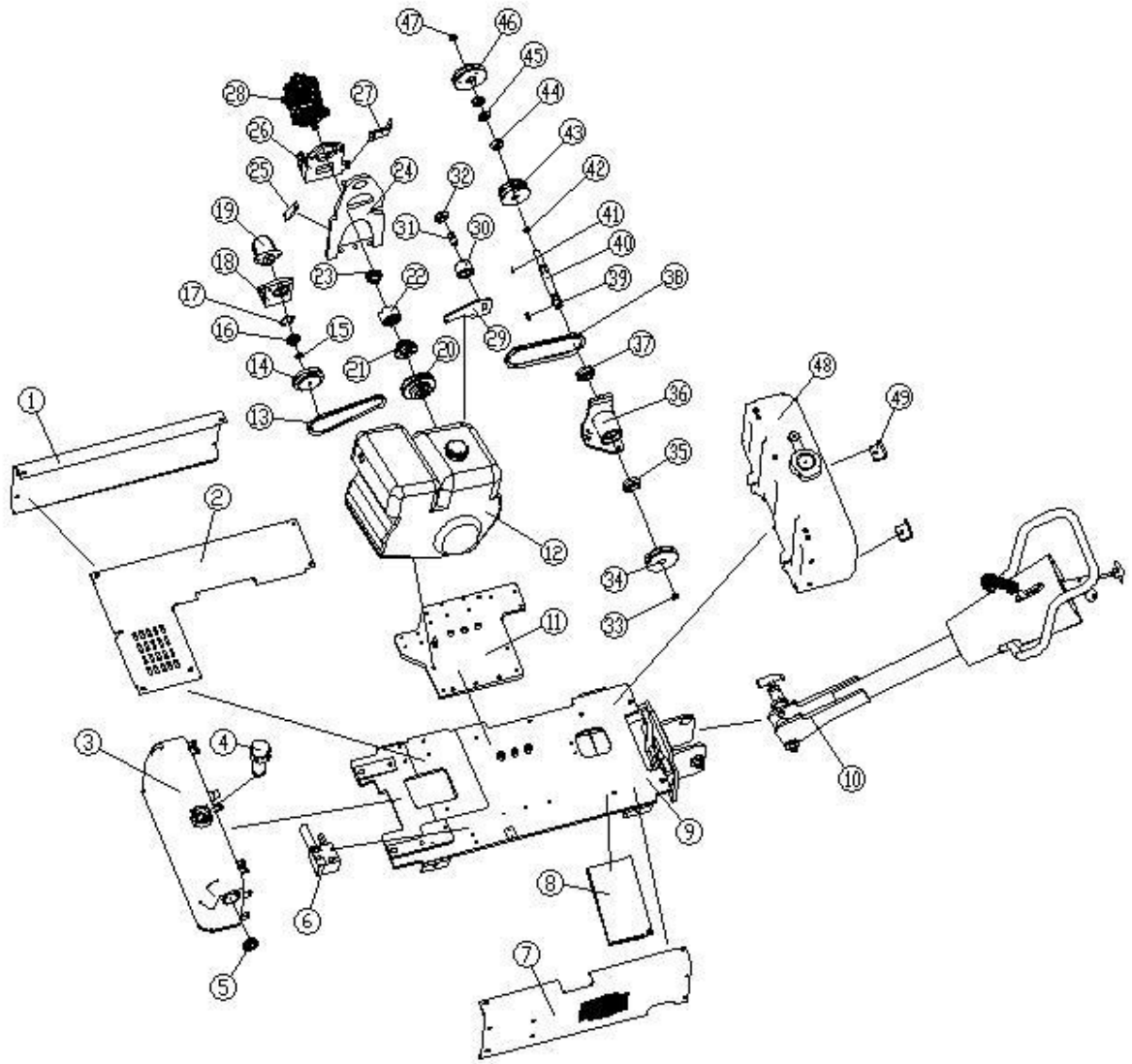
12	DZK060302	Galvanized flat washer	1	$\phi 8.5 * \phi 28 * \delta 4$
13	DQK010128	Circlip	1	40
14	NZC012109	Deep groove ball bearing	1	6008-2RS
15	2100104	Small gear	1	Self-made parts
16	YYJ110101	Drive motor	1	JS130

2.Scraper assembly



NO.	CODE	DESCRIPTIONS	QTY	MODEL
1	2100228	Fix plate for scraper	1	Self-made parts
2	2100221	Water pipe assembly	1	Self-made parts
3	YFJ100106	Tube clamp	2	TLPG-217.2
4	2100223	Fix plate	1	Self-made parts
5	2100224A	Scraper	1	Self-made parts
6	2100225	Locking plate	1	Self-made parts
7	2100222	Fix plate for scraper	1	Self-made parts

3.The upper frame assembly

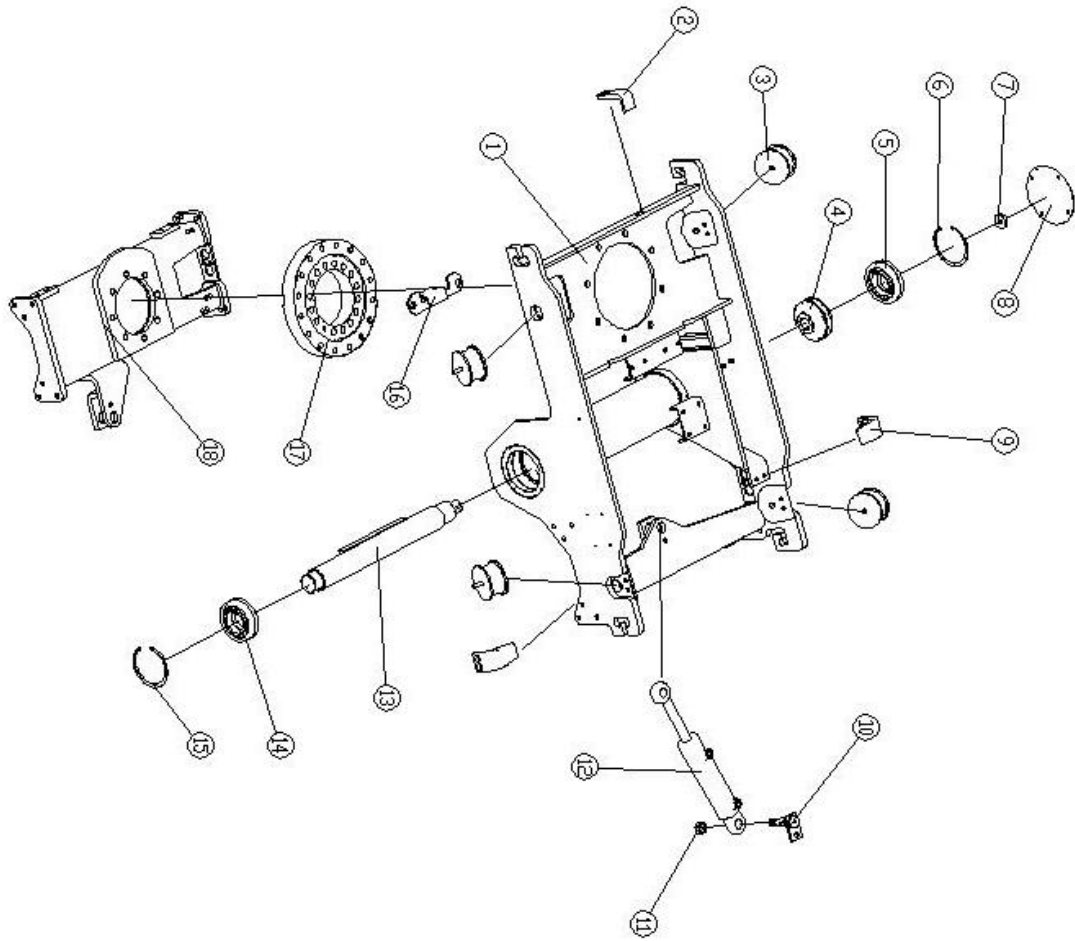


NO.	CODE	DESCRIPTIONS	QTY	MODEL
1	2100429C	Right side cover	1	Self-made parts
2	2110103B	The upper cover	1	Self-made parts
3	2100421A	Hydraulic oil tank	1	Self-made parts
4	YFJ060102	Air filter	1	EF2-32
5	YFJ040101	Hydraulic oil level indicator	1	YB-M42X1.5
6	2111009A	Steering valve block	1	11063096
7	2110104B	Left side cover	1	Self-made parts

8	2110107A	Cover	1	Self-made parts
9	2100213A	The transmission base	1	Self-made parts
10	210BSZC	The operation handle assembly	1	Self-made parts
11	2110101	The engine base	1	Self-made parts
12	FDJ010704	Electric start engine	1	
13	PDK010122	V belt	1	SPZ670
14	2100411A	Steering pump pulley	1	Self-made parts
15	DQK010117	Circlip	1	25
16	NZC010306	Deep groove ball bearing	1	6005ZZ
17	DQK020130	Circlip	1	47
18	TZJ070201	Gear pump support	1	Self-made parts
19	YYJ010603	Gear pump	1	1APF3.4F02P18
20	2110102	Engine pulley	1	Self-made parts
21	2100412	Engine coupling	1	Self-made parts
22	TZJ040109	Gear coupling	1	Self-made parts
23	TZJ040301	Pump coupling	1	Self-made parts
24	2100218A	Lifting frame	1	Self-made parts
25	2100219	Lifting plate	1	Self-made parts
26	2110106	Pump support	1	Self-made parts
27	2100420	Fixing plate for control cable	1	Self-made parts
28	YYJ021601	Plunger pump	1	KPL-10CR
29	2100427	Fixing plate for tension roller	1	Self-made parts
30	3070402A	Tension roller	1	Self-made parts
31	3101009	Tension roller shaft	1	Self-made parts

32	NZC012105	Deep groove ball bearing	1	6004-2RS
33	DZK060302	Flat wahser	1	$\phi 8.5 * \phi 28 * \delta 4$
34	2100404A	Pulley	1	Self-made parts
35	WZC010706	Deep groove ball bearing	1	6305
36	2100401B	Support for assembling vibration system	1	Self-made parts
37	WZC010706	Deep groove ball bearing	1	6305
38	PDK010316	V belt	1	A27
39	JBM030603	Flat key	1	C8*7*24
40	2100403A	Clutch shaft	1	Self-made parts
41	JBM010308	Flat key	1	A5*5*25
42	DQK010117	Circlip	1	25
43	3070503B	Electromagnetic clutch	1	Self-made parts
44	2100406	Clutch cover	1	Self-made parts
45	WZC010305	Deep groove ball bearing	2	NSK 6004 ZZ
46	2100405A	Vibration shaft pulley	1	Self-made parts
47	DZK060302	Flat washer	1	$\phi 8.5 * \phi 28 * \delta 4$
48	2100422B	Plastic water tank	1	Self-made parts
49	2100437	Press plate for water tank	2	Self-made parts

4. The lower frame assembly



NO.	CODE	DESCRIPTIONS	QTY	MODEL
1	2100201A	Frame	1	Self-made parts
2	2100202A	Fixing plate	1	Self-made parts
3	TZJ020103	Rubber shock absorber	4	Self-made parts
4	2100211	Vibration pulley	1	Self-made parts
5	WZC040204	Cylindrical roller bearing	1	NSK NJ310EWC3
6	DQK020155	Circlip	1	110
7	MFJ050110	Axle end cover	1	Φ 110*10
8	2100216	Vibration cylinder cover	1	Self-made parts

9	2100208	Limit block	2	Self-made parts
10	2100206A	Pin	1	Self-made parts
11	2100232A	Sleeve	1	Self-made parts
12	YYJ511103	Steering cylinder	1	Self-made parts
13	WZC040204	Cylindrical roller bearing	1	NSK NJ310EWC3
14	DQK020155	Circlip	1	110
15	2100209A	Vibration shaft	1	Self-made parts
16	2100117	Oil pipe fixing plate	1	Self-made parts
17	TZJ160302	Slewing ring	1	Self-made parts
18	2100108	Steering support	1	Self-made parts