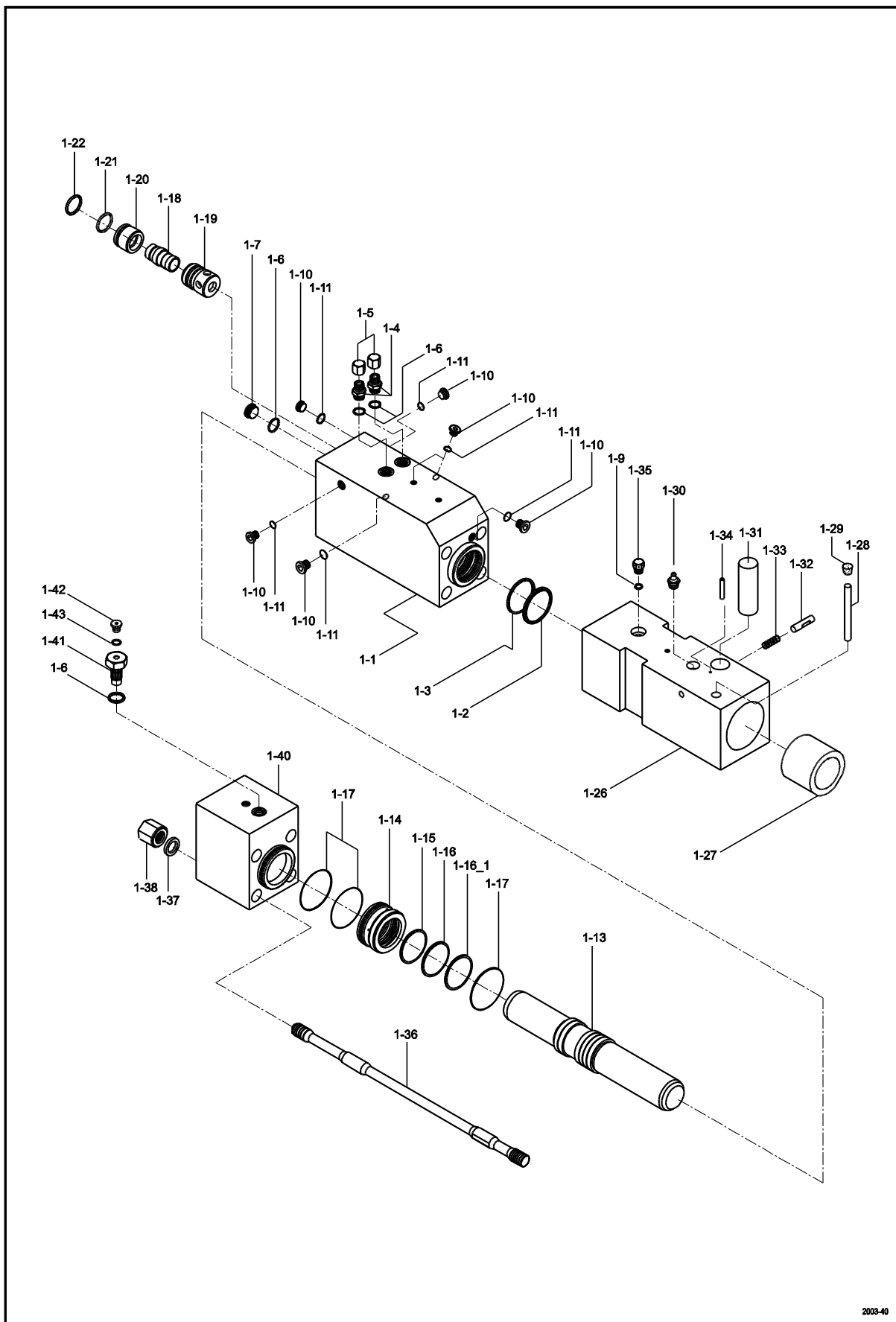




SIMAQ 40V - HIDRAULIC BREAKER PARTS LIST

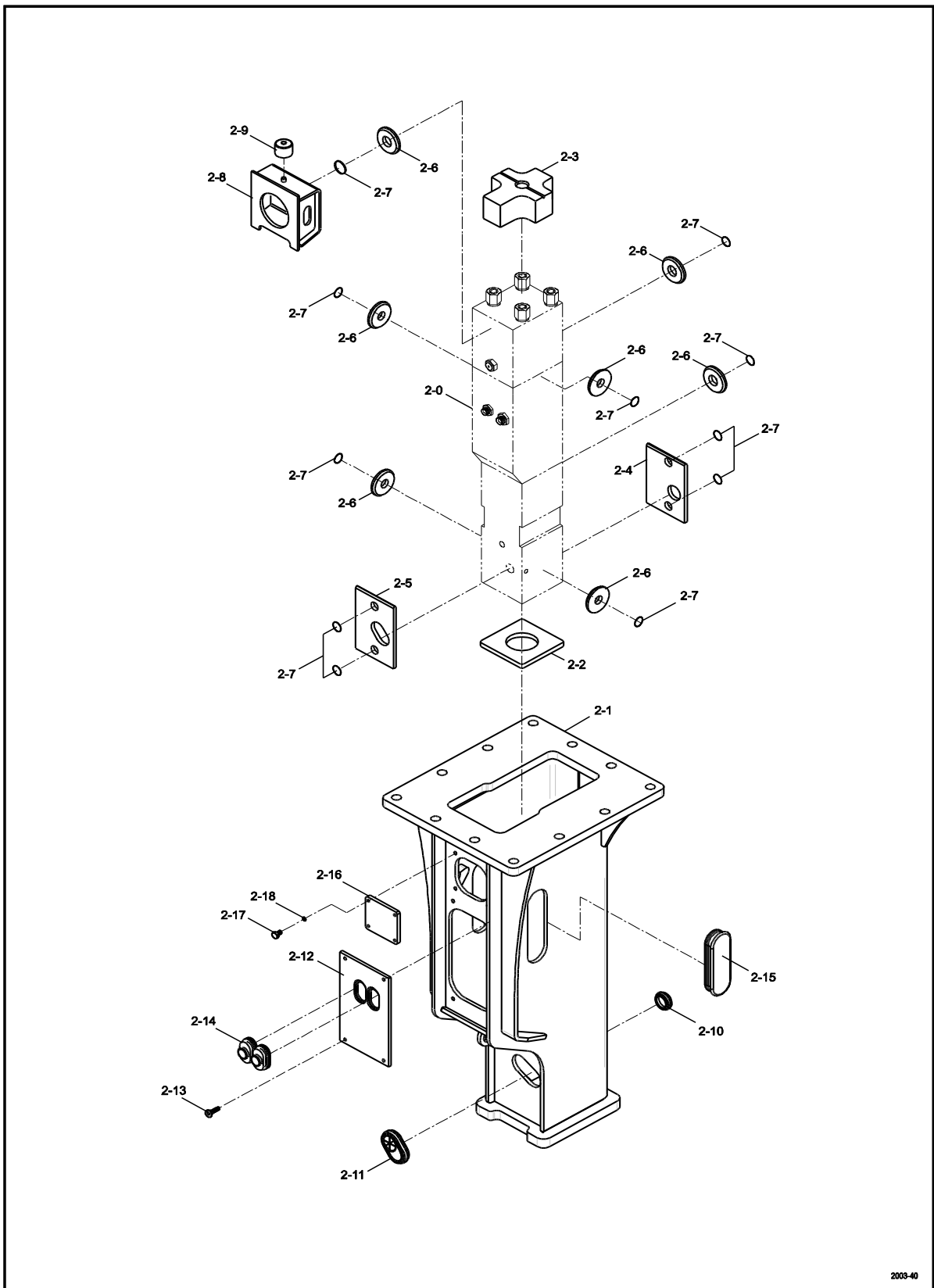




2003-40

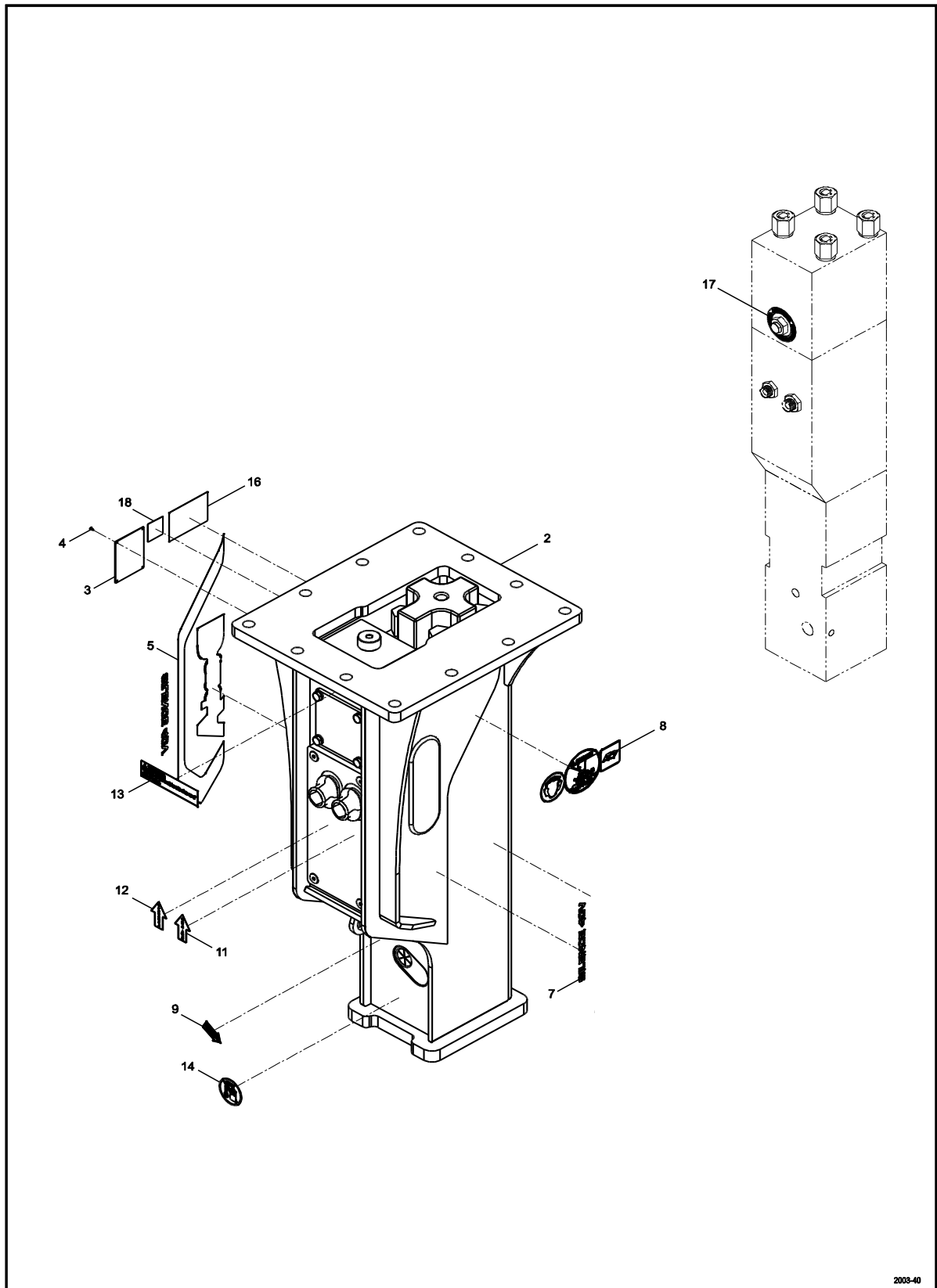
PART LIST - SIMAQ 40V MAIN BODY (POWER CELL) ASS'Y

NO	PART NO	PART DESCRIPTION	Q'TY	REMARK
2-0	DB041V0001	MAIN BODY (POWER CELL) ASS'Y	1set(s)	
1-1	B041V-11100	CYLINDER	1	
1-2	007002-06800	DUST SEAL	1	
1-3	007004-06800	U-PACKING	1	
1-4	B008-11800	HOSE ADAPTER	2	
1-5	B008-11900	UNION CAP	2	
1-6	007001-0180P	O-RING	4	
1-7	004012-10200	RO PLUG	1	
1-9	007001-0140P	O-RING	1	
1-10	004012-10400	RO PLUG	7	
1-11	007001-0110P	O-RING	7	
1-13	B041V-11200	PISTON	1	
1-14	B031V-11300	CYLINDER BUSH	1	
1-15	007005-06600	GAS SEAL	1	
1-16	007004-06600	U-PACKING	1	
1-16_1	007010-06600	SLIDE SEAL	1	
1-17	007001-0850G	O-RING	3	
—	B041V-11456	VALVE SET	1set(s)	18,19,20,21,22
1-18	B041V-11400	VALVE	1	
1-19	B041V-11500	VALVE BUSH	1	
1-20	B041V-11600	VALVE CAP	1	
1-21	007001-0390P	O-RING	1	
1-22	007001-0200P	O-RING	1	
1-26	B031V-12102	FRONT HEAD	1	
1-27	B030V-12301	LOWER BUSH	1	
1-28	B030-12650	STOPPER PIN	1	
1-29	B030-12620	RUBBER PLUG	1	
1-30	004013-10400	GREASE NIPPLE	1	
1-31	B030-12600	CHISEL PIN (TOOL PIN)	1	
1-32	B030-12610	CHISEL STOPPER PIN (TOOL STOPPER PIN)	1	
1-33	B008-12630	SPRING	1	
1-34	004045-05030	SPRING PIN	1	
1-35	B050-12111	AIR PLUG	1	
—	B031V-12200	THROUGH BOLT SET	4set(s)	36,37,38
1-36	B031V-12210	THROUGH BOLT	4	
1-37	B050-12220	THROUGH BOLT WASHER	4	
1-38	B050-12230	THROUGH BOLT TOP NUT	4	
1-40	B031V-13100	BACK HEAD	1	
—	B008-13200	GAS VALVE SET	1set(s)	6,41,42,43
1-41	B008-13210	GAS VALVE	1	
1-42	B008-13220	GAS VALVE CAP	1	
1-43	007001-0080P	O-RING	1	
—	B041V-SK001	SEAL KIT	1set(s)	



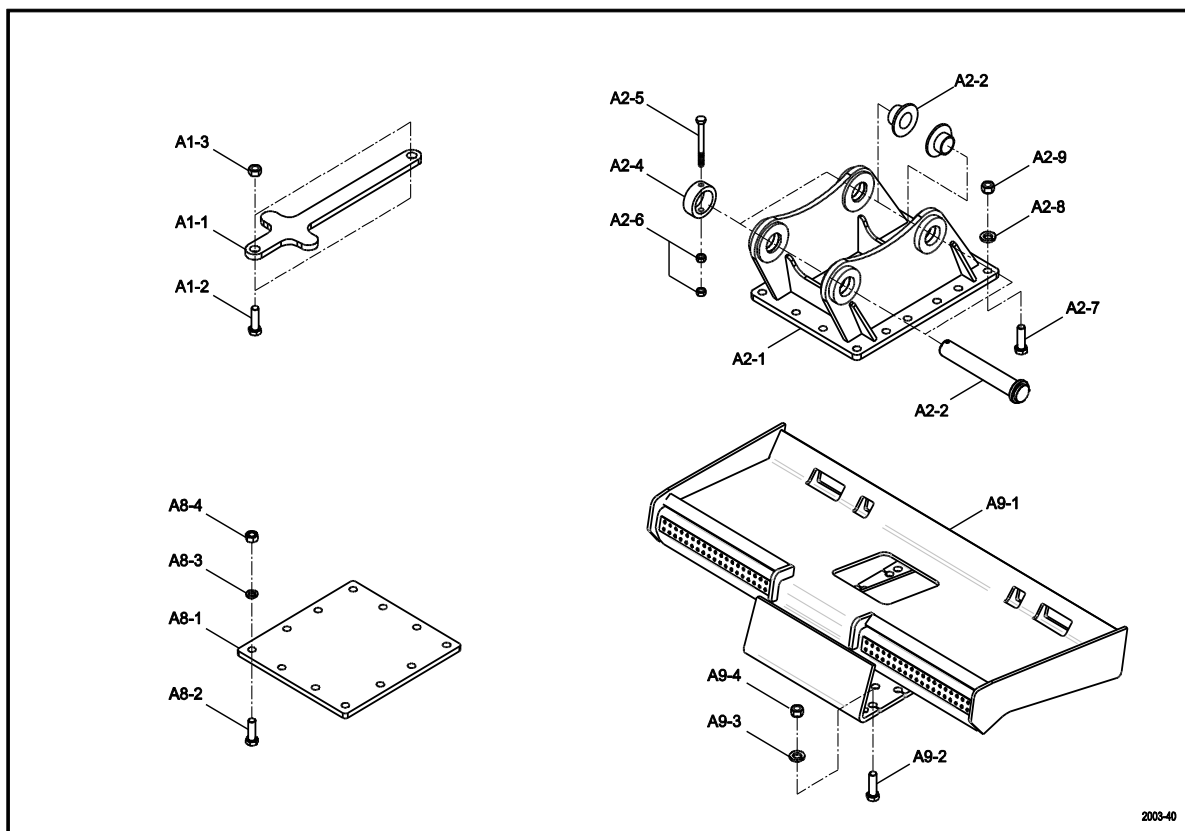
PART LIST - SIMAQ 40V BOX HOUSING ASS'Y

NO	PART NO	PART DESCRIPTION	Q'TY	REMARK
2	B041F-55000	BOX HOUSING ASS'Y	1set(s)	
2-1	B042F-55010	BOX HOUSING	1	
2-2	B032V-35100	BOTTOM DAMPER	1	
2-3	B030V-35200	UPPER DAMPER	1	
2-4	B032V-35500	MC PAD (SHELL PAD)	1	
2-5	B032V-35600	MC PAD (SHELL PAD)	1	
2-6	B050V-2721A	MC PAD (SHELL PAD)	7	
2-7	007001-0340P	O-RING	11	
2-8	B042F-55190	HEAD PLATE	1	
2-9	B070V-27110	HEAD DAMPER	1	
2-10	B030V-12800	RUBBER COVER	1	
2-11	B020V-12700	GREASE COVER	1	
2-12	B032V-37600	MC COVER	1	
2-13	002A05-10025	FLAT HEAD SOCKET BOLT	4	
2-14	B052V-27012	HOSE COVER	2	
2-15	B082F-37800	SIDE HOSE COVER	2	
2-16	B008V-27129	GAS COVER	1	
2-17	002A01-10015	HEX BOLT	4	
2-18	002AH8-10000	SPRING WASHER	4	



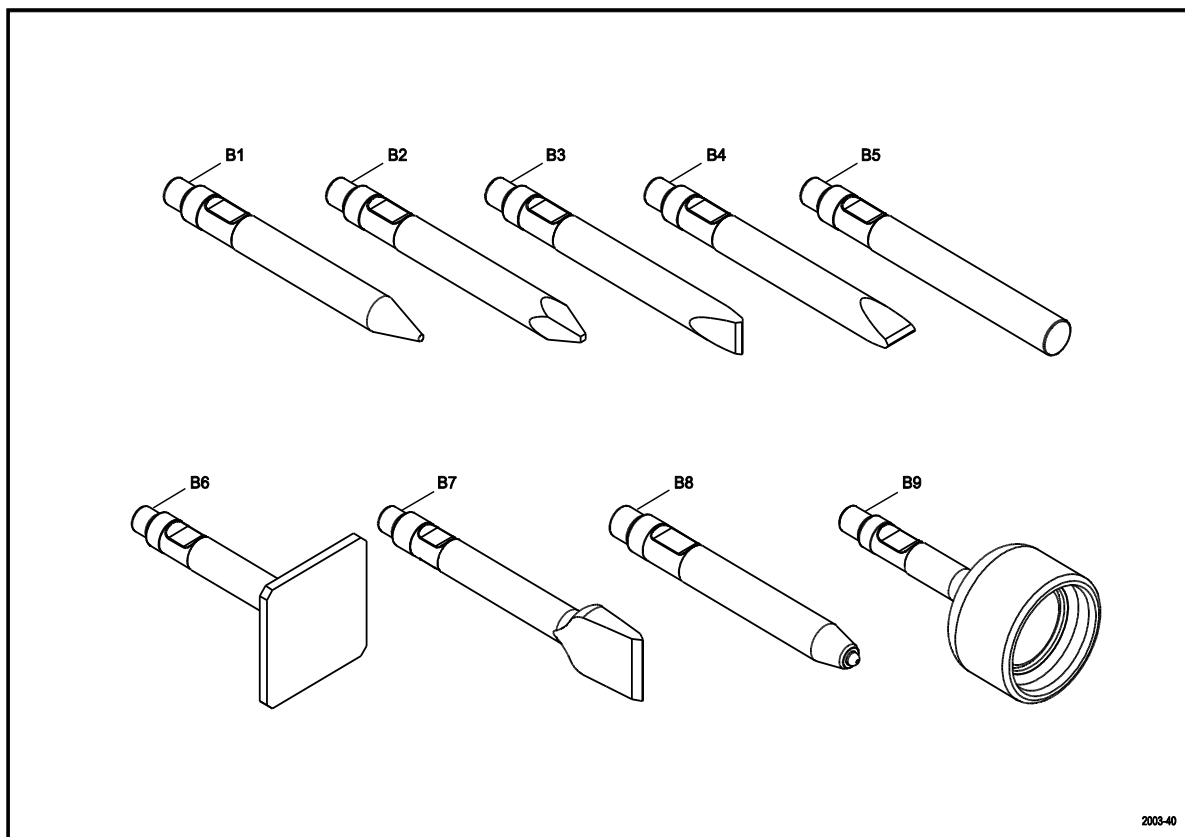
PART LIST - SIMAQ 40V STICKER/NAME PLATE

NO	PART NO	PART DESCRIPTION	Q'TY	REMARK
3	SIMAQ-NAME-10	NAME PLATE	1	
4	004054-03060	RIVET	4	
5	B040V-DS1250	NAME DECAL (L)	1	
6	B040V-DS2250	NAME DECAL (R)	1	
7	B040V-DS0260	MODEL DECAL	2	
8	B008V-DS000-03	STICKER - DANGER	1	
9	B008V-DS071	STICKER - GREASE	1	
11	B008V-DS0310	STICKER - OUT PORT	1	
12	B008V-DS0320	STICKER - IN PORT	1	
13	B063V-DS000-11	STICKER - WARNING (GAS14)	1	
	B063V-DS000-12	STICKER - WARNING (GAS10)	1	for SKID
14	B63V-DS000-06	STICKER - HOT CAUTION	1	
16	B132V-DS000-15	STICKER - LOOSE BOLT CAUTION	1	
17	B140F-DS0010	STICKER - WARNING DISCHARGE	1	
18	NOISE-11700	STICKER - NOISE	1	



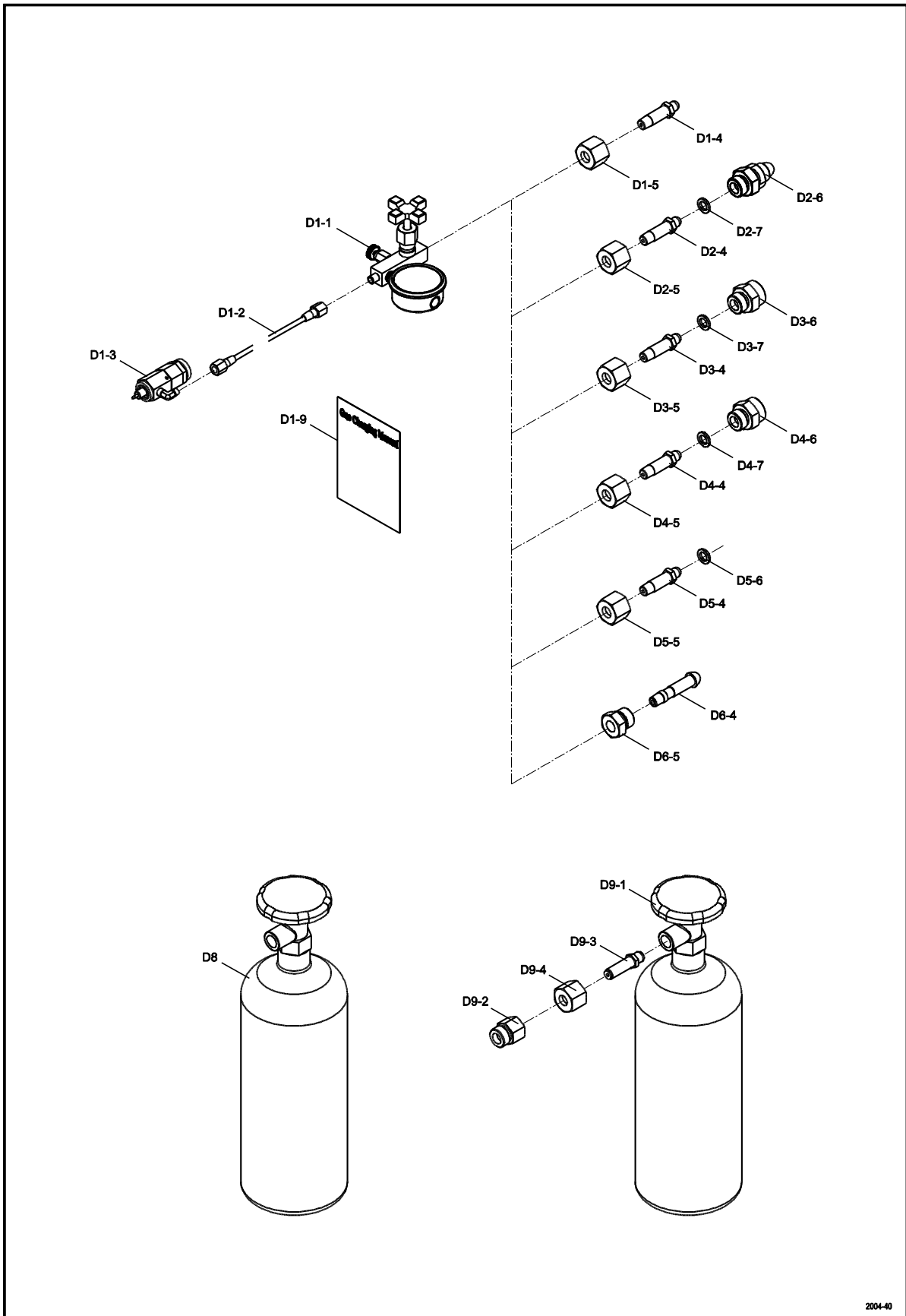
PART LIST - SIMAQ 40V MOUNT CAP

NO	PART NO	PART DESCRIPTION	Q'TY	REMARK
A1	B052V-354A0	ADAPTER PLATE SET (W/O MOUNT CAP)	1set(s)	
A1-1	B052V-35401	ADAPTER PLATE	1	
A1-2	002001-18060	HEX BOLT	2	
A1-3	002003-1800N	HEX NUT	2	
A2		MOUNT CAP ASS'Y	1set(s)	TAILOR MADE AS PER ORDER
A2-1		MOUNT CAP WA	1	TAILOR MADE AS PER ORDER
A2-2		BRACKET PIN	2	TAILOR MADE AS PER ORDER
A2-3		BRACKET PIN BUSH	4	TAILOR MADE AS PER ORDER
A2-4		STOP RING	2	TAILOR MADE AS PER ORDER
A2-5		HEX BOLT	2	TAILOR MADE AS PER ORDER
A2-6		HEX NUT	4	TAILOR MADE AS PER ORDER
A2-7	002A01-18065	HEX BOLT	12	
A2-8	002AH8-18000	SPRING WASHER	12	
A2-9	002A11-1800N	NYLON NUT	12	
A8	B042V-354B0	ADAPTER BASE PLATE SET (W/O MOUNT C.	1set(s)	
A8-1	B042V-35410	ADAPTER BASE PLATE	1	
A8-2	002A01-18065	HEX BOLT	12	
A8-3	002AH8-18000	SPRING WASHER	12	
A8-4	002A11-1800N	NYLON NUT	12	
A9	B040V-65A00	MOUNT CAP ASS'Y (SKID)	1set(s)	
A9-1	B008V-65000	MOUNT CAP WA	1	
A9-2	002A01-18065	HEX BOLT	12	
A9-3	002AH8-18000	SPRING WASHER	12	
A9-4	002A11-1800N	NYLON NUT	12	



PART LIST - SIMAQ 40V CHISEL (TOOL)

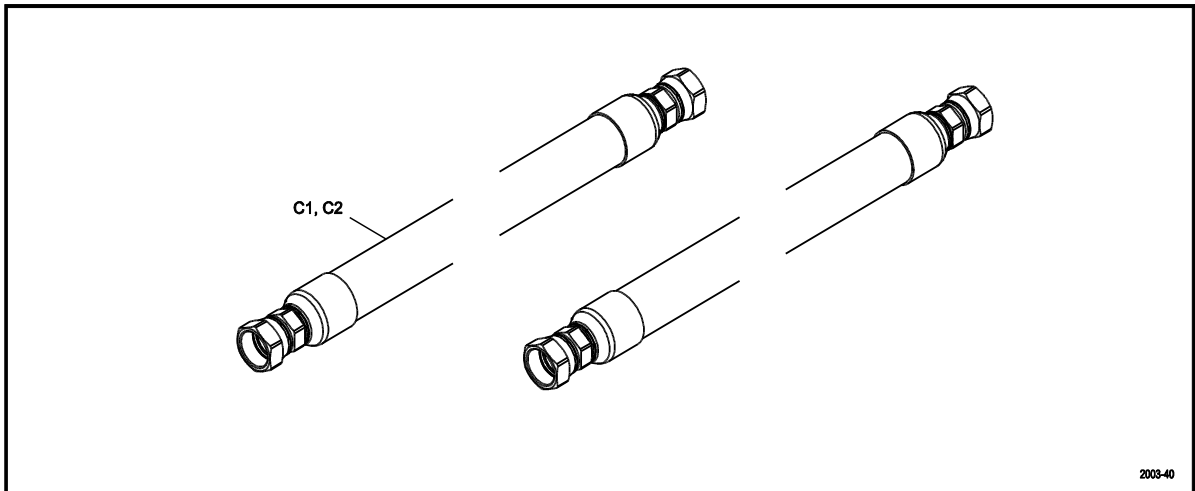
NO	PART NO	PART DESCRIPTION	Q'TY	REMARK
B1	B030-12500	CONICAL POINT (CONICAL MOIL POINT)		
B2	B030-12510	MOIL POINT (PYRAMID MOIL POINT)		
B3	B030-12520	CROSS CUT (CHISEL POINT H)		
B4	B030-12530	IN-LINE (CHISEL POINT V)		
B5	B030-12540	FLAT END (BLUNT)		
B6	B030-12550	TAMPING PAD (TAMPING TOOL)		
B7	B030-12560	ASPHALT CUTTER		
B8		CORE CONICAL POINT (CORE MOIL POINT)		TAILOR MADE AS PER ORDER
B9	B042V-125EA	ELEPHANT FOOT TOOL (POST DRIVER)		



2004-40

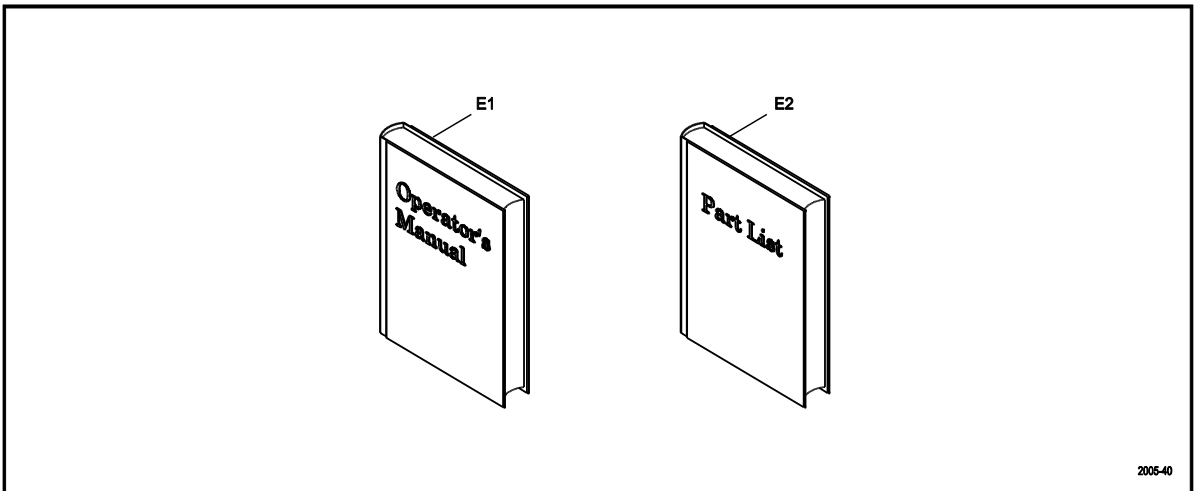
PART LIST - SIMAQ 40V GAS CHARGING

NO	PART NO	PART DESCRIPTION	Q'TY	REMARK
D1	BGK01-N2DS1	GAS CHARGING KIT - STANDARD	1set(s)	
D1-1	BGK01-N2410	3 WAY VALVE SET	1set(s)	
D1-2	BGK00-N22D0	GAS HOSE	1	
D1-3	BGK00-G220A	GAS ADAPTER	1	
D1-4	BGK00-N2430	COUPLING	1	
D1-5	BGK00-N2420	CAP NUT	1	
D1-9	DBGM010	GAS CHARGING MANUAL	1	
D2	BGK01-N2V11	GAS CHARGING KIT - INDIA	1set(s)	
D1-1	BGK01-N2410	3 WAY VALVE SET	1set(s)	
D1-2	BGK00-N22D0	GAS HOSE	1	
D1-3	BGK00-G220A	GAS ADAPTER	1	
D2-4	BGK00-N34F0	COUPLING	1	
D2-5	BGK00-N3420	CAP NUT	1	
D2-6	BGK00-N3490	GAS CYLINDER ADAPTER	1	
D2-7	BGK00-N3480	RING	1	
D1-9	DBGM010	GAS CHARGING MANUAL	1	
D3	BGK01-N2VC1	GAS CHARGING KIT - CHINA	1set(s)	
D1-1	BGK01-N2410	3 WAY VALVE SET	1set(s)	
D1-2	BGK00-N22D0	GAS HOSE	1	
D1-3	BGK00-G220A	GAS ADAPTER	1	
D3-4	BGK00-N34F0	COUPLING	1	
D3-5	BGK00-N3420	CAP NUT	1	
D3-6	BGK00-N34C0	GAS CYLINDER ADAPTER	1	
D3-7	BGK00-N3480	RING	1	
D1-9	DBGM010	GAS CHARGING MANUAL	1	
D4	BGK01-N2BM1	GAS CHARGING KIT - BRAZIL	1set(s)	
D1-1	BGK01-N2410	3 WAY VALVE SET	1set(s)	
D1-2	BGK00-N22D0	GAS HOSE	1	
D1-3	BGK00-G220A	GAS ADAPTER	1	
D4-4	BGK00-N34F0	COUPLING	1	
D4-5	BGK00-N3420	CAP NUT	1	
D4-6	BGK00-N34B0	GAS CYLINDER ADAPTER	1	
D4-7	BGK00-N3480	RING	1	
D1-9	DBGM010	GAS CHARGING MANUAL	1	
D5	BGK01-N2GE1	GAS CHARGING KIT - GERMANY	1set(s)	
D1-1	BGK01-N2410	3 WAY VALVE SET	1set(s)	
D1-2	BGK00-N22D0	GAS HOSE	1	
D1-3	BGK00-G220A	GAS ADAPTER	1	
D5-4	BGK00-N34F0	COUPLING	1	
D5-5	BGK00-N3420	CAP NUT	1	
D5-6	BGK00-N3480	RING	1	
D1-9	DBGM010	GAS CHARGING MANUAL	1	
D6	BGK01-N2A01	GAS CHARGING KIT - NORTH AMERICA	1set(s)	
D1-1	BGK01-N2410	3 WAY VALVE SET	1set(s)	
D1-2	BGK00-N22D0	GAS HOSE	1	
D1-3	BGK00-G220A	GAS ADAPTER	1	
D6-4	BGK00-NALL0	COUPLING	1	
D6-5	BGK00-NCAL1	CAP NUT	1	
D1-9	DBGM010	GAS CHARGING MANUAL	1	
D8	BGK00-B0300L	GAS CYLINDER	1	
D9	BGK01-B0300LS	GAS CYLINDER - INDIA	1set(s)	
D9-1	BGK00-B0300L	GAS CYLINDER	1	
D9-2	BGK00-N3500	GAS CYLINDER ADAPTER	1	
D9-3	BGK00-N3510	COUPLING	1	
D9-4	BGK00-N3520	CAP NUT	1	



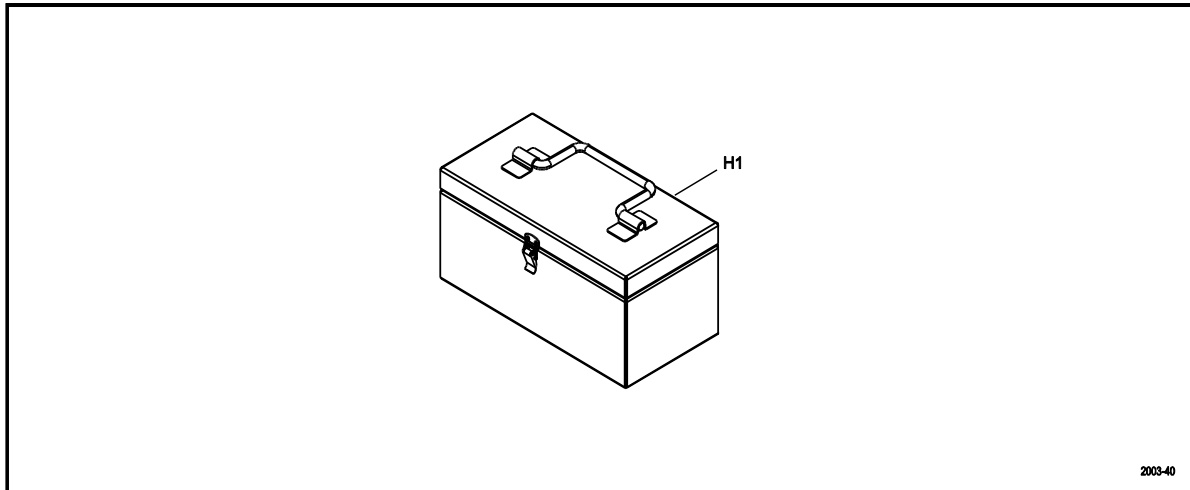
PART LIST - SIMAQ 40V HYD HOSE

NO	PART NO	PART DESCRIPTION	Q'TY	REMARK
C1	100802-AA170044	HYD HOSE_1700	2	
C2	100802-AA250044	HYD HOSE_2500	2	for SKID



PART LIST - SIMAQ 40V LITERATURE

NO	PART NO	PART DESCRIPTION	Q'TY	REMARK
E1	DBOM100	OPERATOR'S MANUAL	1	
E2	DBPM100-041V	PART LIST	1	

**PART LIST - SIMAQ 40V TOOL BOX**

No.	SIMAQ part no.	Part name	Q'ty	Remarks
H1	B030V-TB001	TOOL BOX	1	